



US00D363334S

United States Patent [19]

De Oliveira Masina

[11] Patent Number: **Des. 363,334**

[45] Date of Patent: ****Oct. 17, 1995**

[54] **REAR SIGHT FOR A PISTOL**
[75] Inventor: **Ezio R. De Oliveira Masina**, Porto Alegre, Brazil

[73] Assignee: **Forjas Taurus S/A**, Porto Alegre, Brazil

[**] Term: **14 Years**

[21] Appl. No.: **8,178**

[22] Filed: **May 10, 1993**

[30] Foreign Application Priority Data

Nov. 10, 1992 [BR] Brazil MI 5201149

[52] U.S. Cl. **D22/109**

[58] Field of Search D22/109, 110; 42/100, 101, 102; 33/233, 241, 243, 252-261

[56] References Cited

U.S. PATENT DOCUMENTS

- D. 273,217 3/1984 Swenson D22/109
- D. 296,227 6/1988 Novak D22/109
- D. 301,512 6/1989 Novak D22/109

- D. 305,146 12/1989 Novak D22/109
- 2,610,406 9/1952 Chambers 33/251
- 3,090,123 5/1963 Barnes 33/233

OTHER PUBLICATIONS

Police Magazine, Dec. 1992, p. 73 Trijicon Night Sight.

Primary Examiner—Doris V. Coles
Attorney, Agent, or Firm—McGlew and Tuttle

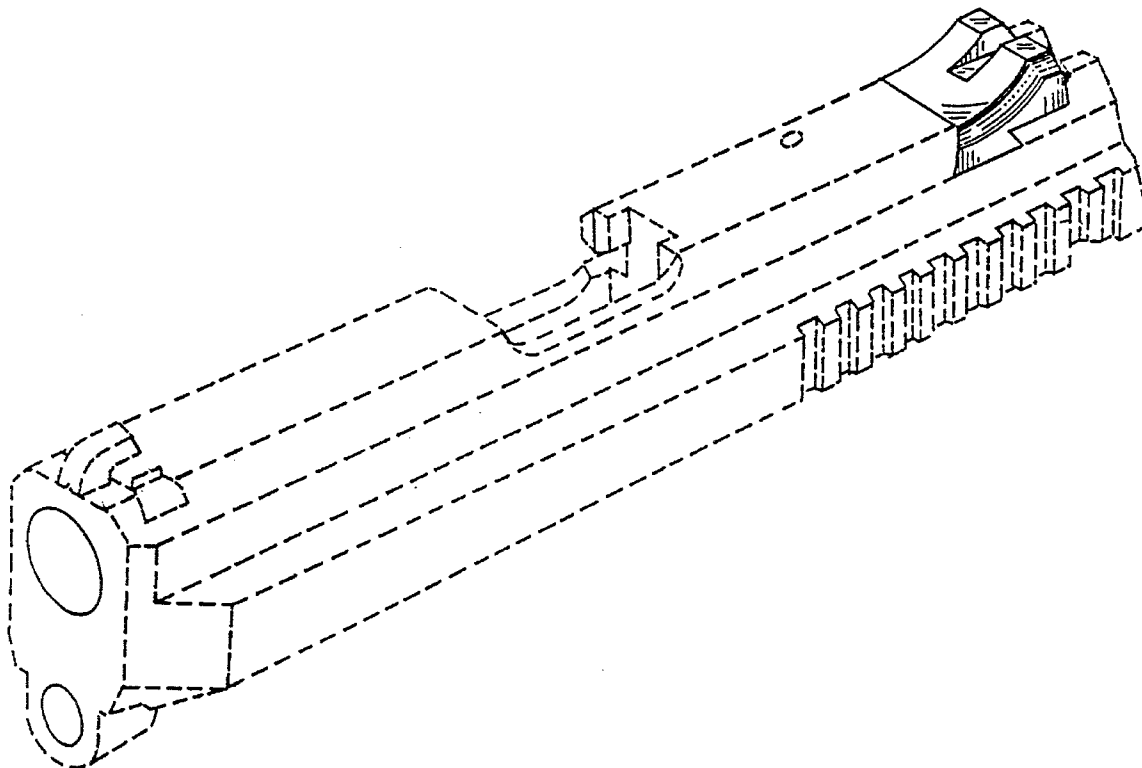
[57] CLAIM

The ornamental design for a rear sight for a pistol, as shown and described.

DESCRIPTION

FIG. 1 is a view in front perspective showing my design for a rear sight for a pistol, the pistol slide shown forming no part of my design;
 FIG. 2 is a view in left side elevation, the right side being a mirror image thereof;
 FIG. 3 is a top plan view thereof, the bottom view is plain and unadorned;
 FIG. 4 is a front view hereof; and,
 FIG. 5 is a back view thereof.

1 Claim, 3 Drawing Sheets



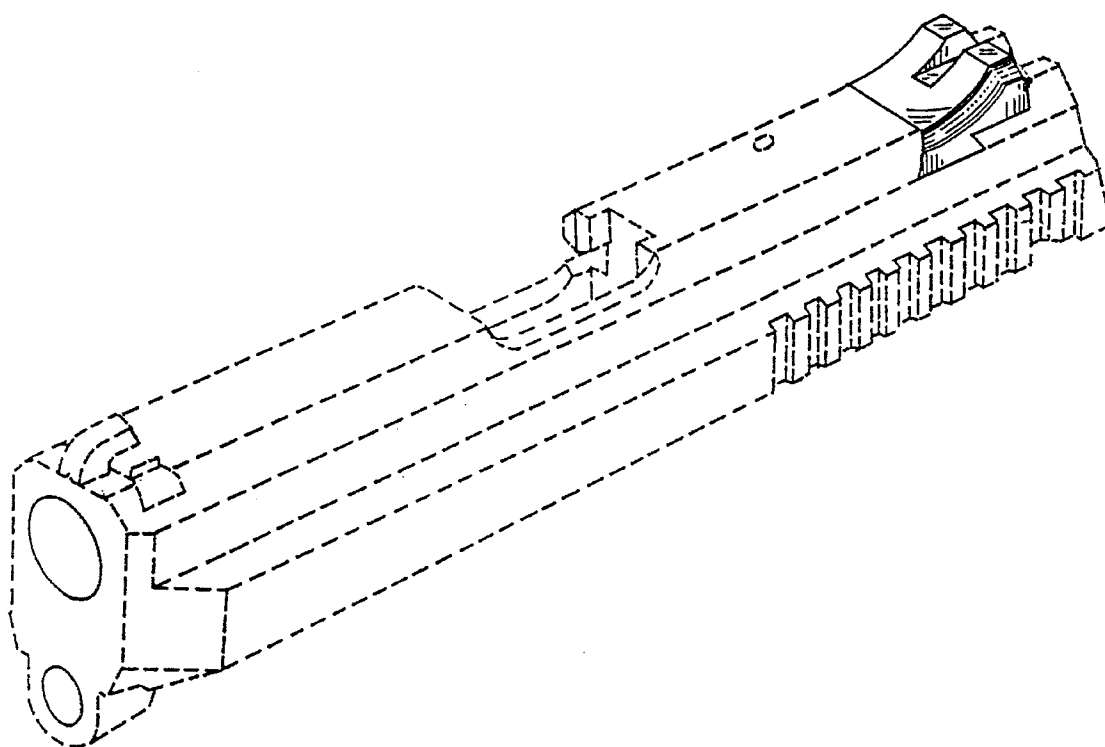


FIG. 1

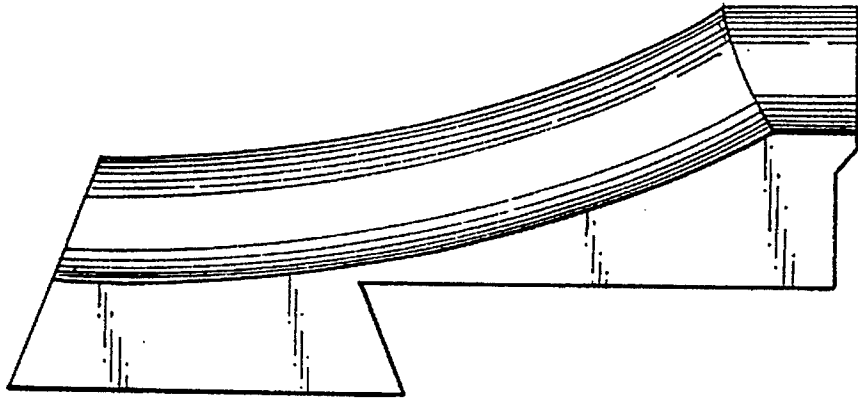


FIG. 2

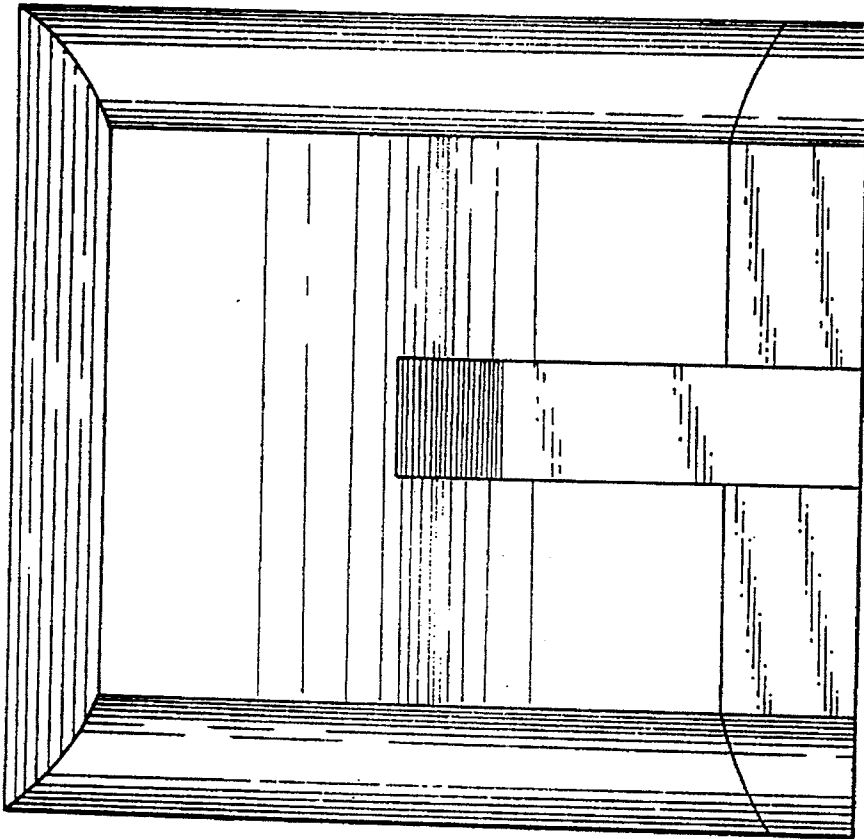


FIG. 3

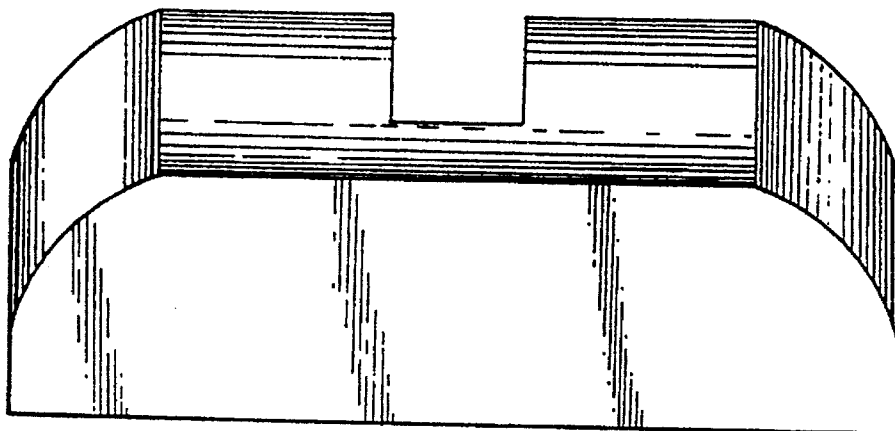


FIG. 4

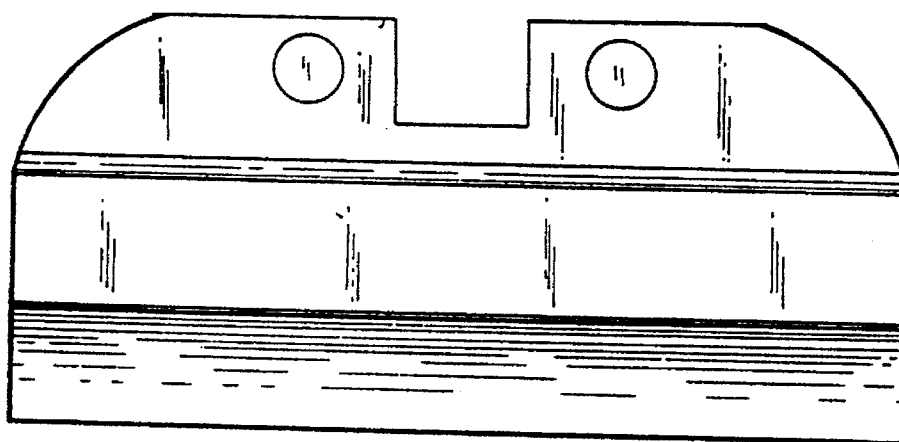


FIG. 5