



US00D511154S

(12) **United States Design Patent**  
Hasegawa et al.

(10) **Patent No.:** **US D511,154 S**

(45) **Date of Patent:** **\*\* Nov. 1, 2005**

(54) **COMBINED DIGITAL AUDIO DISK PLAYER  
AND RADIO RECEIVER**

D391,961 S \* 3/1998 Hanig ..... D14/194  
D459,336 S \* 6/2002 Ito et al. .... D14/168  
D474,170 S \* 5/2003 Hasegawa et al. .... D14/168

(75) Inventors: **Shigeru Hasegawa, Tokyo (JP);  
Hiroyuki Watanabe, Tokyo (JP)**

\* cited by examiner

(73) Assignee: **Teac Corporation, Tokyo (JP)**

*Primary Examiner*—Nanda Bondade  
(74) *Attorney, Agent, or Firm*—Anderson Kill & Olick,  
P.C.; Eugene Lieberstein; Michael N. Mercer

(\*\*) Term: **14 Years**

(57) **CLAIM**

(21) Appl. No.: **29/191,446**

The ornamental design of a combined digital audio disk  
player and radio receiver, as shown and described.

(22) Filed: **Oct. 7, 2003**

(51) **LOC (8) Cl.** ..... **14-01**

(52) **U.S. Cl.** ..... **D14/168**

(58) **Field of Search** ..... D14/135-136,  
D14/160-168, 188, 197-198, 156-157;  
455/100, 344, 346-351, 157.1, 350; 369/75.1,  
75.2, 77.2

**DESCRIPTION**

FIG. 1 is a perspective view of a combined digital audio disk  
player and radio receiver showing the design;  
FIG. 2 is a front view thereof;  
FIG. 3 is a rear view thereof;  
FIG. 4 is a left side view thereof;  
FIG. 5 is a right side view thereof  
FIG. 6 is a top view thereof; and,  
FIG. 7 is a bottom view thereof.

(56) **References Cited**

**U.S. PATENT DOCUMENTS**

2,523,103 A \* 9/1950 Emde et al. .... 455/157.1

**1 Claim, 4 Drawing Sheets**

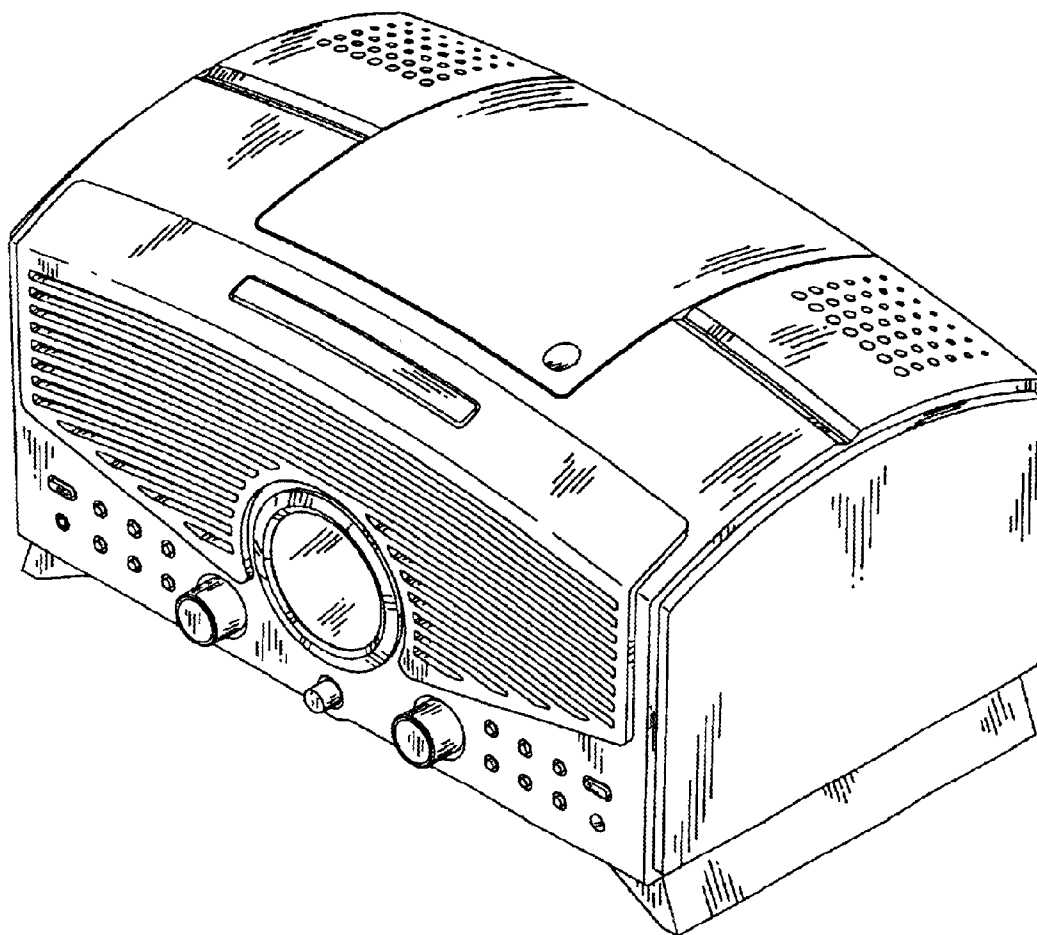


FIG. 1

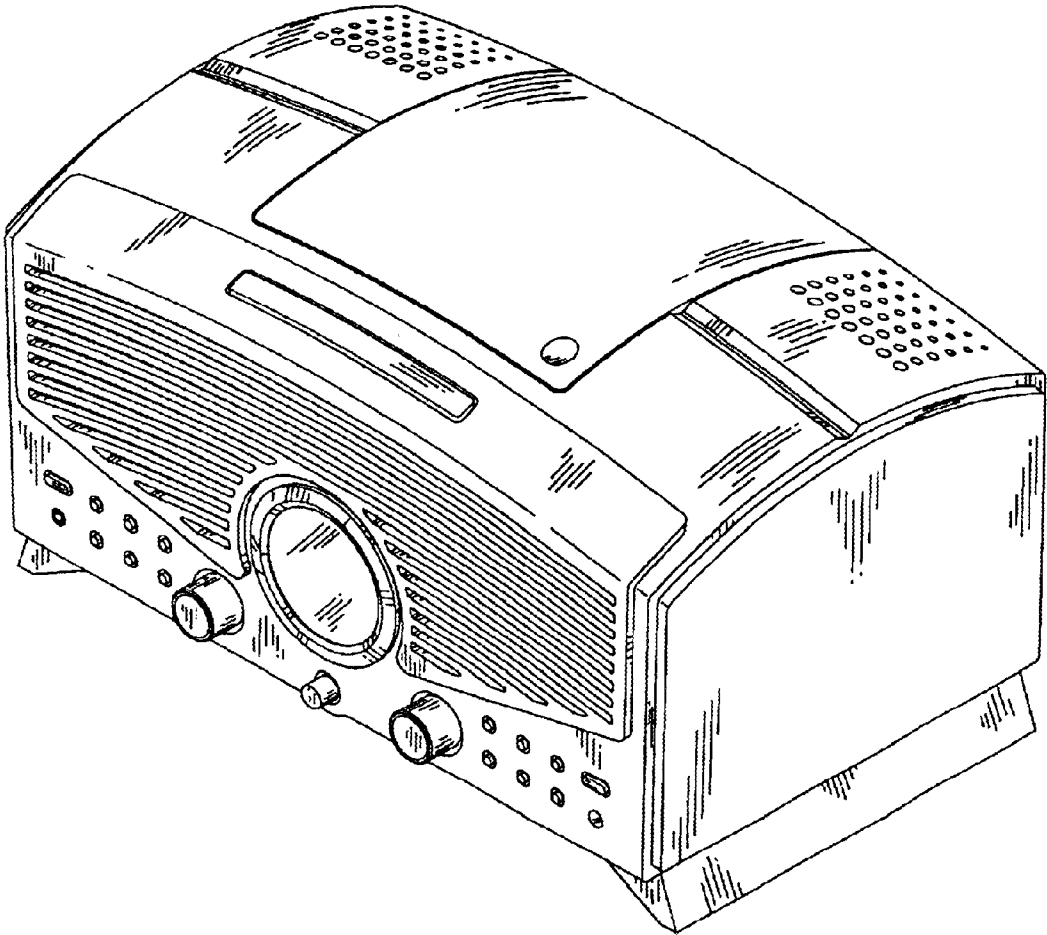


FIG. 2

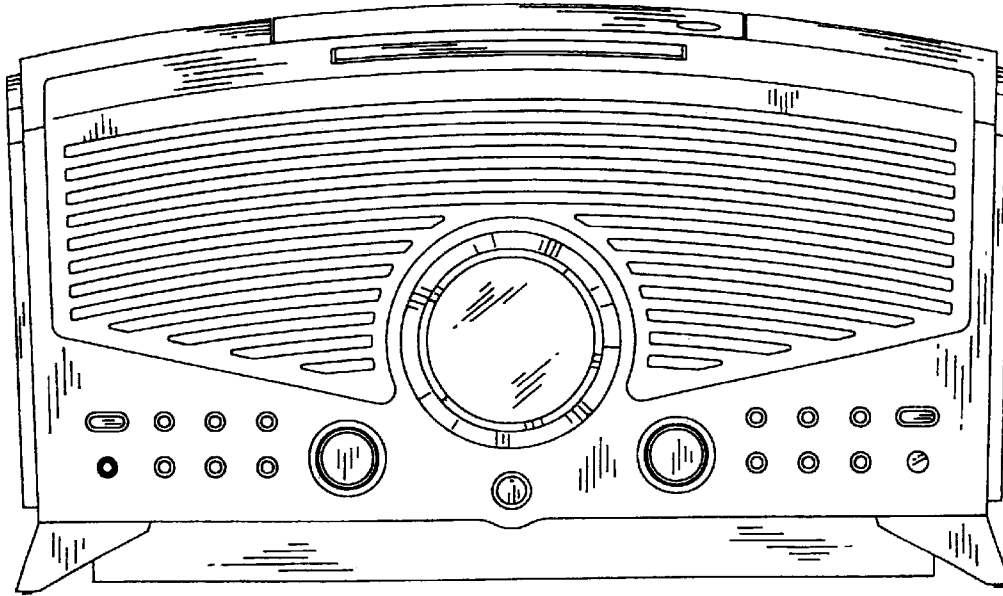


FIG. 3

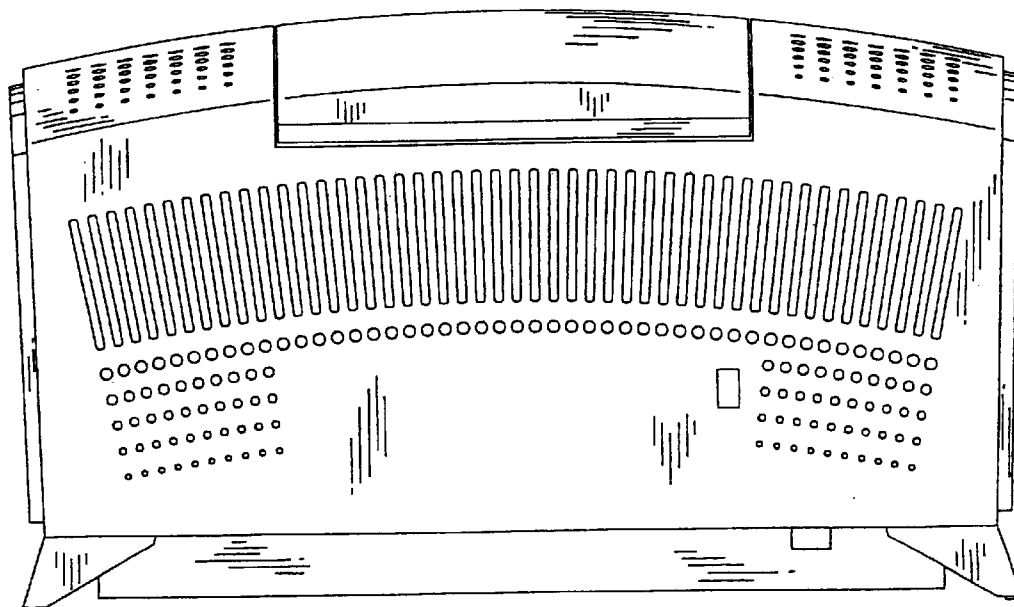


FIG. 4

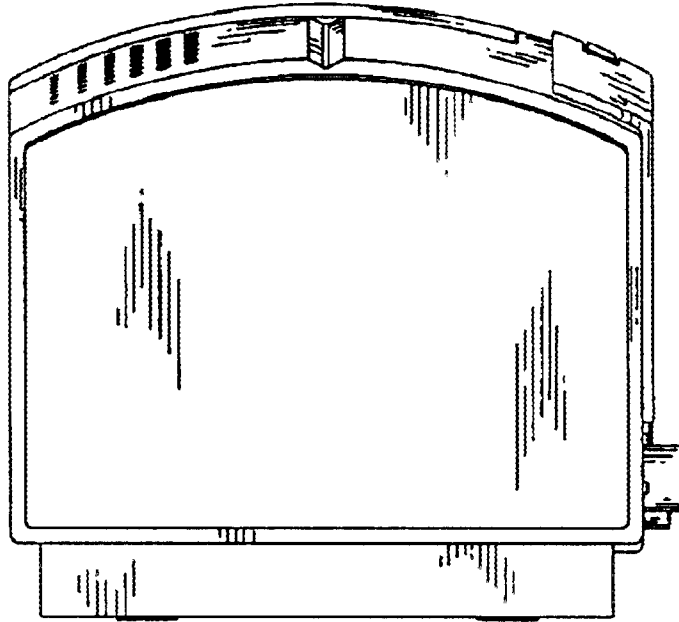


FIG. 5

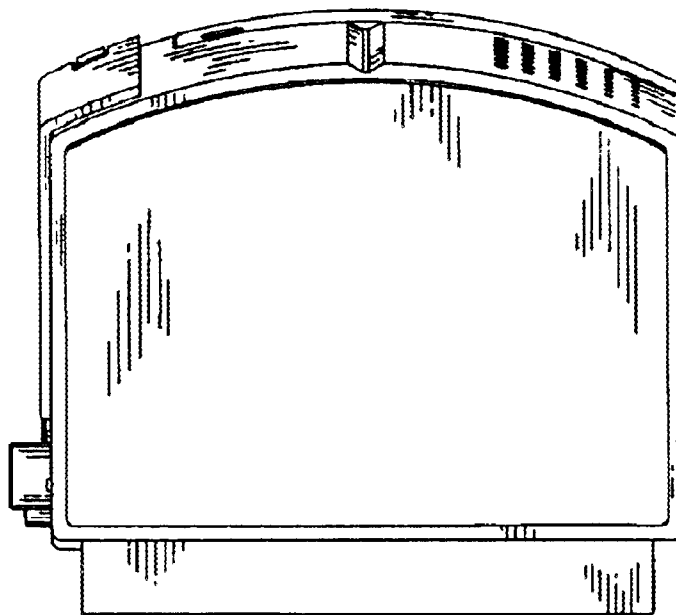


FIG. 6

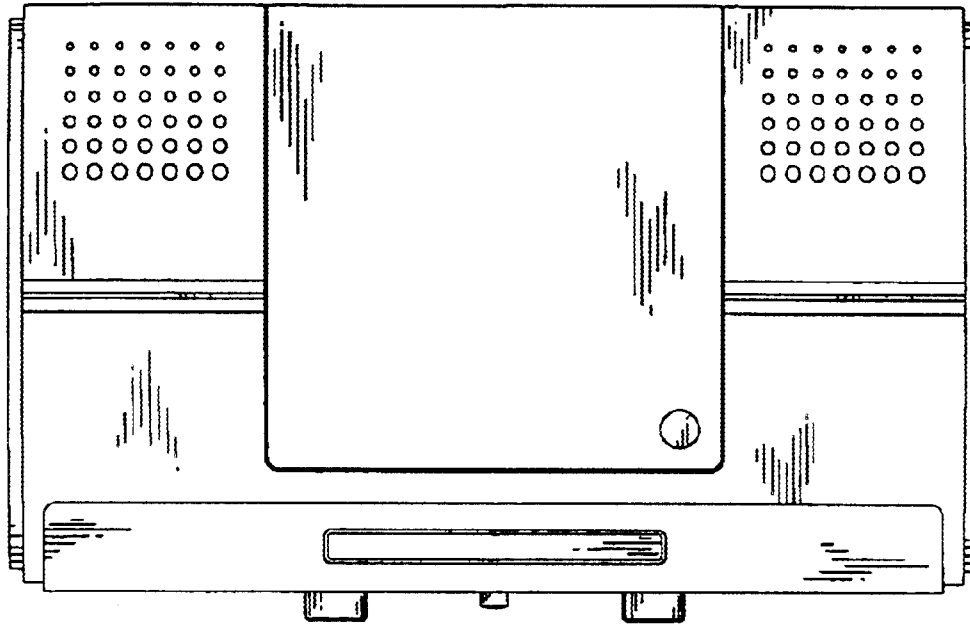


FIG. 7

