



US00D656255S

(12) **United States Design Patent**  
**Foo**

(10) **Patent No.:** **US D656,255 S**

(45) **Date of Patent:** **\*\* \*Mar. 20, 2012**

(54) **LAMP**  
(75) Inventor: **Onn Fah Foo**, Kowloon (HK)  
(73) Assignee: **Mass Technology (H.K.) Limited**, Hong Kong (CN)  
(\* ) Notice: This patent is subject to a terminal disclaimer.

(\*\*) Term: **14 Years**  
(21) Appl. No.: **29/376,109**

(22) Filed: **Oct. 1, 2010**

(30) **Foreign Application Priority Data**  
Apr. 8, 2010 (EM) ..... 001692286-0004  
(51) **LOC (9) Cl.** ..... **26-04**  
(52) **U.S. Cl.** ..... **D26/2**  
(58) **Field of Classification Search** ..... D26/1-4;  
313/313, 315, 316, 317, 318, 493; 315/52,  
315/53, 56, 57, 58  
See application file for complete search history.

(56) **References Cited**  
U.S. PATENT DOCUMENTS  
D545,457 S \* 6/2007 Chen ..... D26/2

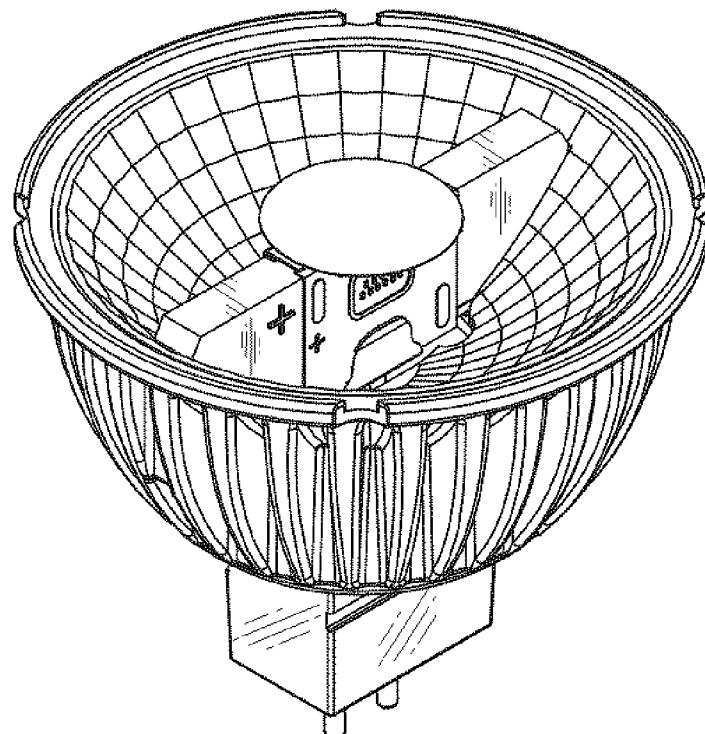
D572,385 S *	7/2008	Mazzochette et al. ....	D26/2
D584,428 S *	1/2009	Li et al. ....	D26/2
D587,384 S *	2/2009	Wei .....	D26/2
D592,766 S *	5/2009	Zhu et al. ....	D26/2
D601,275 S *	9/2009	Ho et al. ....	D26/2
D607,587 S *	1/2010	Ko .....	D26/2
D610,275 S *	2/2010	Cho .....	D26/2
D612,956 S *	3/2010	Moon .....	D26/2
D613,433 S *	4/2010	Moon .....	D26/2

\* cited by examiner  
*Primary Examiner* — Marcus Jackson  
(74) *Attorney, Agent, or Firm* — McNeely, Hare & War LLP;  
Kevin J. McNeely

(57) **CLAIM**  
The ornamental design for a lamp, as shown and described.

**DESCRIPTION**  
FIG. 1 is a front view of the lamp, showing the new design;  
FIG. 2 is a rear view of the lamp;  
FIG. 3 is a left side view of the lamp;  
FIG. 4 is a right side view of the lamp;  
FIG. 5 is a top view of the lamp;  
FIG. 6 is a bottom view of the lamp; and,  
FIG. 7 is top perspective view of the lamp.

**1 Claim, 3 Drawing Sheets**



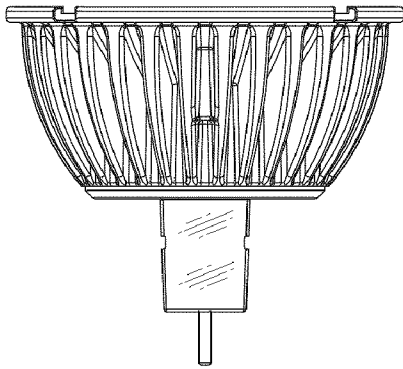


Fig.1

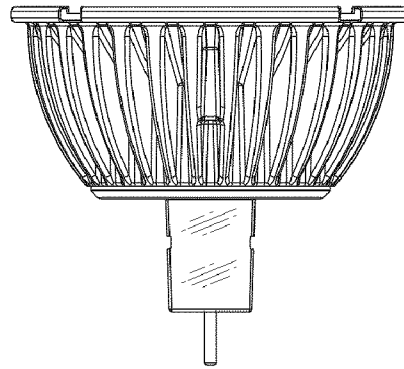


Fig.2

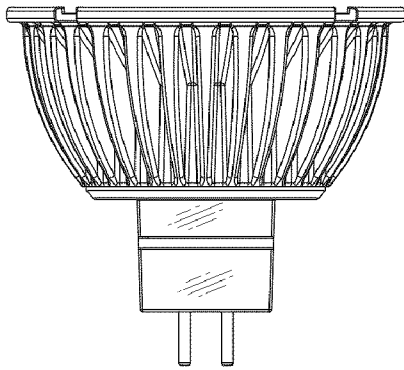


Fig.3

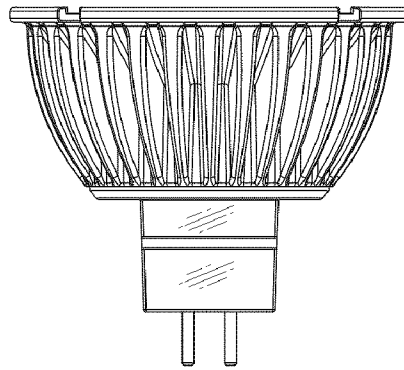


Fig.4

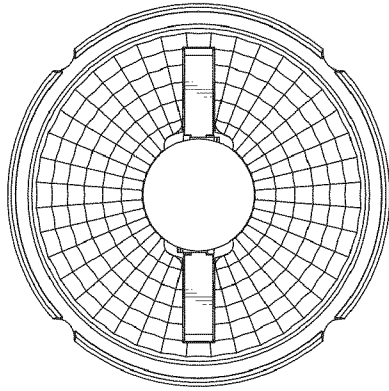


Fig. 5

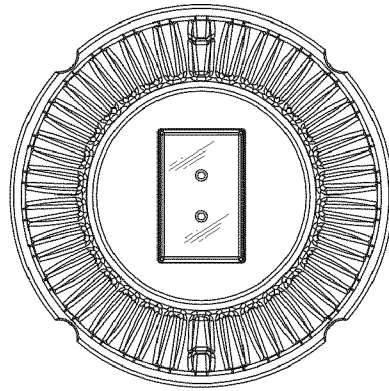


Fig. 6

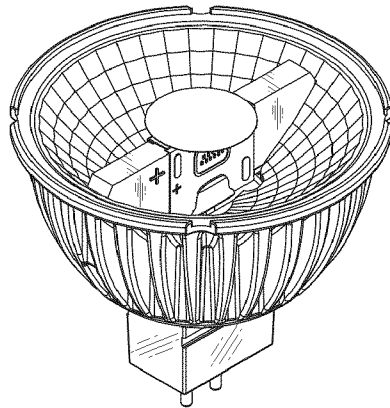


Fig. 7