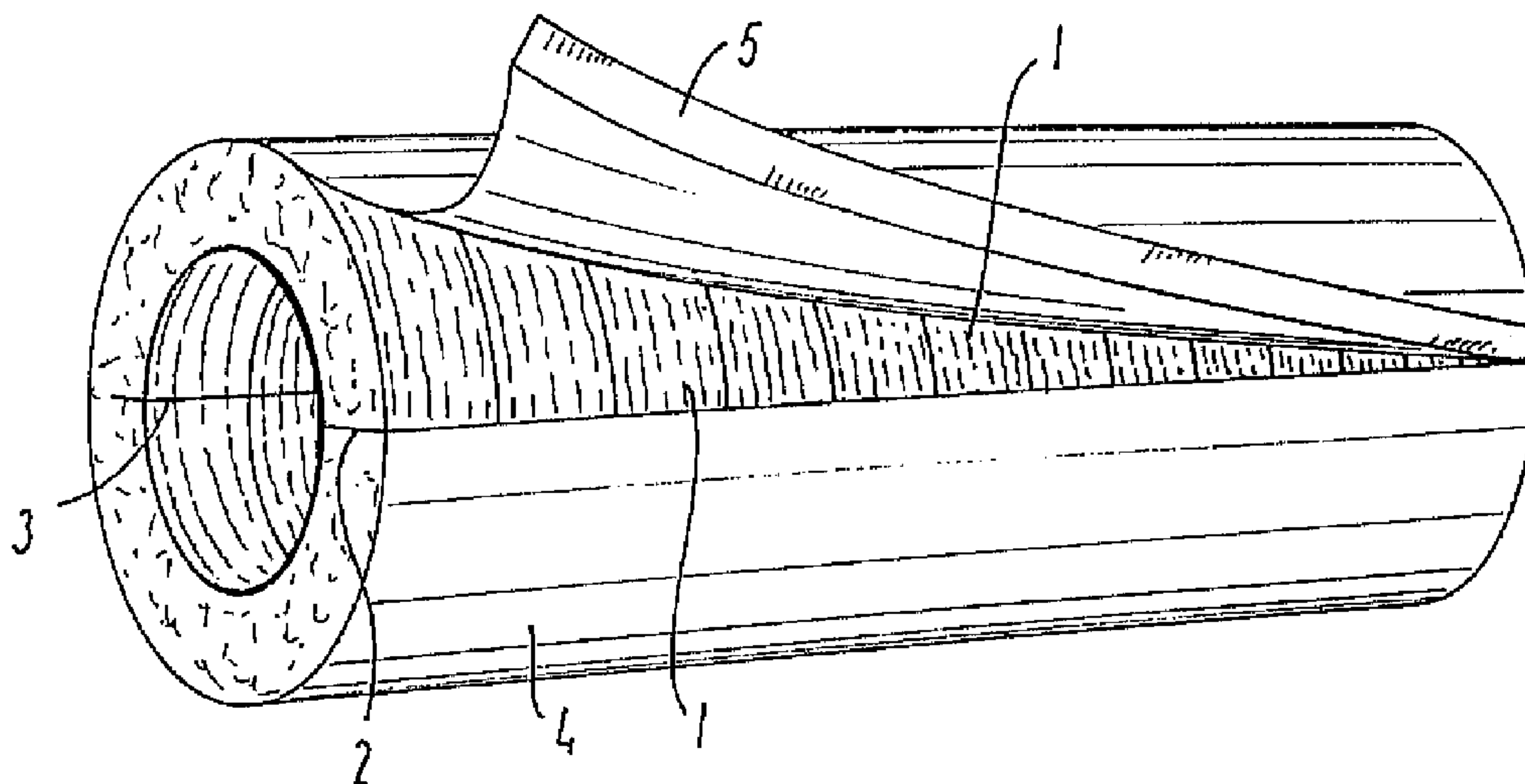




(86) Date de dépôt PCT/PCT Filing Date: 1996/05/22
 (87) Date publication PCT/PCT Publication Date: 1996/11/28
 (45) Date de délivrance/Issue Date: 2007/01/02
 (85) Entrée phase nationale/National Entry: 1997/11/21
 (86) N° demande PCT/PCT Application No.: DK 1996/000222
 (87) N° publication PCT/PCT Publication No.: 1996/037728
 (30) Priorité/Priority: 1995/05/22 (DK585/95)

(51) Cl.Int./Int.Cl. *F16L 59/14* (2006.01),
F16L 59/02 (2006.01), *F16L 59/22* (2006.01)
 (72) Inventeurs/Inventors:
CRIDLAND, IAN, DK;
HUSBJERG, JENS, DK;
ORTOFT, FINN, DK
 (73) Propriétaire/Owner:
ROCKWOOL INTERNATIONAL A/S, DK
 (74) Agent: FETHERSTONHAUGH & CO.

(54) Titre : METHODE D'ISOLATION D'UN TUYAU AU MOYEN D'UN REVETEMENT TUBULAIRE
 (54) Title: A METHOD OF INSULATING A PIPE WITH A TUBULAR SHEATHING



(57) **Abrégé/Abstract:**

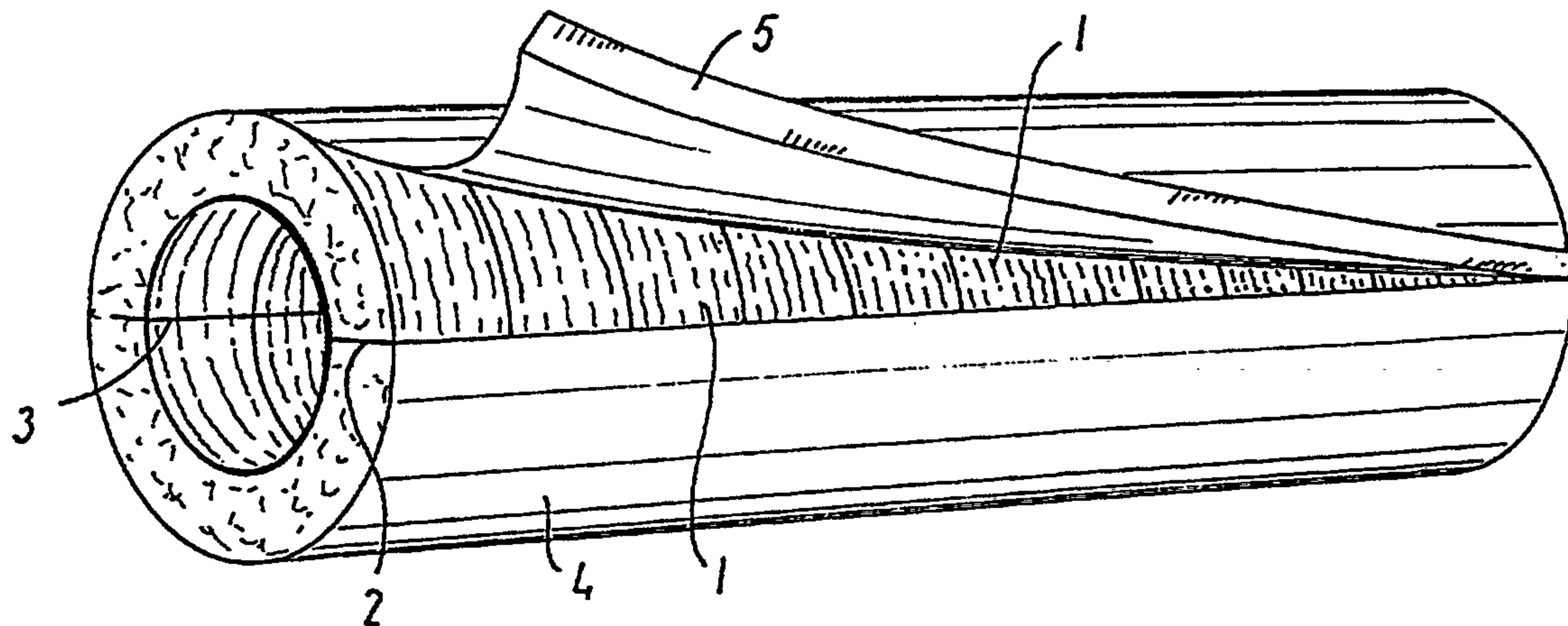
A method of insulating a pipe is described wherein a tubular sheathing comprising a radially slitted, tubular member of bonded mineral fibres oriented essentially in planes perpendicular to the longitudinal axis of the tubular member, and a sheet material (4), which by gluing is attached to the outer side of the tubular member, is mounted so as to envelop the pipe, the method being characterized in that the tubular sheathing, prior to being mounted on the pipe, is alternately compressed and stretched in axial direction in a zone in which the tubular sheathing is to insulate a bend on the pipe.

PCTWORLD INTELLECTUAL PROPERTY ORGANIZATION
International Bureau

INTERNATIONAL APPLICATION PUBLISHED UNDER THE PATENT COOPERATION TREATY (PCT)

<p>(51) International Patent Classification ⁶ : F16L 59/14 // 59/22</p>	<p>A1</p>	<p>(11) International Publication Number: WO 96/37728</p> <p>(43) International Publication Date: 28 November 1996 (28.11.96)</p>
<p>(21) International Application Number: PCT/DK96/00222</p> <p>(22) International Filing Date: 22 May 1996 (22.05.96)</p> <p>(30) Priority Data: 585/95 22 May 1995 (22.05.95) DK</p> <p>(71) Applicant (for all designated States except US): ROCKWOOL INTERNATIONAL A/S [DK/DK]; Hovedgaden 584, DK-2640 Hedehusene (DK).</p> <p>(72) Inventors; and (75) Inventors/Applicants (for US only): CRIDLAND, Ian [DK/DK]; Lindborgvej 8, DK-2730 Vanløse (DK). HUSBJERG, Jens [DK/DK]; Saven B 11 dør 4, DK-2630 Taastrup (DK). ØRTOFT, Finn [DK/DK]; Hedevej 31, DK-2640 Hedehusene (DK).</p> <p>(74) Agent: HOFMAN-BANG & BOUTARD, LEHMANN & REE A/S; Grundtvigsvej 37, DK-1864 Frederiksberg C (DK).</p>		<p>(81) Designated States: AL, AM, AT, AT (Utility model), AU, AZ, BB, BG, BR, BY, CA, CH, CN, CZ, CZ (Utility model), DE, DE (Utility model), DK, DK (Utility model), EE, ES, FI, FI (Utility model), GB, GE, HU, IS, JP, KE, KG, KP, KR, KZ, LK, LR, LS, LT, LU, LV, MD, MG, MK, MN, MW, MX, NO, NZ, PL, PT, RO, RU, SD, SE, SG, SI, SK, SK (Utility model), TJ, TM, TR, TT, UA, UG, US, UZ, VN, ARIPO patent (KE, LS, MW, SD, SZ, UG), Eurasian patent (AM, AZ, BY, KG, KZ, MD, RU, TJ, TM), European patent (AT, BE, CH, DE, DK, ES, FI, FR, GB, GR, IE, IT, LU, MC, NL, PT, SE), OAPI patent (BF, BJ, CF, CG, CI, CM, GA, GN, ML, MR, NE, SN, TD, TG).</p> <p>Published <i>With international search report.</i> <i>In English translation (filed in Danish).</i></p>

(54) Title: A METHOD OF INSULATING A PIPE WITH A TUBULAR SHEATHING



(57) Abstract

A method of insulating a pipe is described wherein a tubular sheathing comprising a radially slitted, tubular member of bonded mineral fibres oriented essentially in planes perpendicular to the longitudinal axis of the tubular member, and a sheet material (4), which by gluing is attached to the outer side of the tubular member, is mounted so as to envelop the pipe, the method being characterized in that the tubular sheathing, prior to being mounted on the pipe, is alternatingly compressed and stretched in axial direction in a zone in which the tubular sheathing is to insulate a bend on the pipe.

A method of insulating a pipe with a tubular sheathing.

5 The present invention relates to a method of insulating a pipe wherein a tubular sheathing comprising an optionally radially slitted, tubular member of bonded mineral fibres oriented essentially in planes perpendicular to the longitudinal axis of the tubular member, and a sheet material, which by gluing is attached to the outer side of the tubular member, is mounted so as to envelop the pipe.

10 DK 157 627 B and 159 941 B disclose tubular sheathings of the above kind where the sheet material e.g. consists of a paper layer or a plastics or metal foil.

15 To facilitate the shaping of such a tubular sheathing around a pipe bend, the glue is applied in the form of essentially parallel, narrow stripes or rows of glue points, which stripes or rows extend substantially perpendicularly to the longitudinal axis of the tubular member.

20 In known tubular sheathings, the tubular member of mineral wool may be composed of a coaxial assembly of slitted insulation discs having a central hole.

25 According to a known method, cf. JP patent publication No. 6-137 485, the assembly of discs is thus provided by sawing out from a stack of bonded mineral fibre sheets, whereafter the assembly thus obtained is enveloped in a sheet material e.g. of a corrugated metal foil.

30 The instant tubular sheathings are used for heat insulation of pipes for transport of hot or cold media, and in view of the handling as well as the mounting of the tubular sheathings on straight pipes it is important that they possess a certain rigidity.

35 Pipes of the above kind normally also comprise bends, e.g. 90 ° bends, and in order to be able to insulate such bends effectively it is important that the tubular sheathings are bendable without formation of sharp elbows.

22903-737

2

The improved bendability of tubular sheathings where the glue is applied in stripes extending essentially perpendicularly to the longitudinal axis of the tubular sheathings, has turned out to entail such reduction of the rigidity of the tubular sheathings that the handling of the sheathings is significantly impaired. When such tubular sheathings are placed on end, they thus tend to collapse.

According to an aspect of the invention, there is provided a method of insulating a pipe wherein a tubular sheathing comprising a tubular member of bonded mineral fibres oriented essentially in planes perpendicular to the longitudinal axis of the tubular member, and a sheet material, which by gluing is attached to the outer side of the tubular member, is mounted so as to envelop the pipe, wherein the tubular sheathing, prior to being mounted on the pipe, is alternately compressed and stretched in axial direction in a zone in which the tubular sheathing is to insulate a bend on the pipe.

The invention is based on the discovery that such treatment of a tubular sheathing of the kind stated in the preamble entails that the bonds between the mineral fibres and/or the bonds between the outer side of the tubular sheathing and the sheet material in the zone in question are changed in such a way that the tubular sheathing at the particular site becomes easily bendable, but otherwise retains its rigidity across the remaining portion of the length of the tubular sheathing. As a consequence of the fibres in the tubular sheathing used being oriented in planes perpendicular to the longitudinal axis of the tubular sheathing, the tubular sheathing possesses high resistance

22903-737

2a

in radial direction, and even after having been treated in the way described the tubular sheathing continues to possess considerable resistance to such deformation in the particular area, and consequently satisfactory insulation of
5 the pipe in the bend-area is still obtainable.

The invention thus offers the advantage that use can be made of tubular sheathings which, by appropriate selection of density for the tubular mineral fibre member, amount and kind of binder for bonding the mineral fibres and
10 sheet material, have a desired rigidity with respect to handling, and concomitantly that when insulating bends such bendability is obtainable that a good insulation on bends on the pipe is easily obtainable.

Consequently, it suffices to use one type of
15 tubular sheathing for insulating both straight pipes and pipe bends.

The tubular sheathings used in the method according to the invention are preferably composed of an assembly of annular, axially slitted discs, a particularly large bendability hereby being obtained following a treatment as described.

5

The preparation of such tubular sheathings may be performed by providing a stack of sheets of mineral fibres essentially being oriented in planes parallel to the sheet sides, and by simultaneously cutting out a number of annular discs corresponding to the number of mineral fibre sheets by means of a band or string shaped saw in a direction of movement which is essentially perpendicular to the main surfaces of the mineral fibre sheets.

10

By cutting out the annular discs in the way described instead of e.g. punching them from individual mineral fibre sheets there are no particular requirements as to the strength of the mineral fibre sheets, and use can be made of mineral fibre sheets having a density which is optimum with respect to insulation capacity. Thus, it is possible to use mineral fibre sheets having a density as low as 20 kg/m^3 . Preferably, use is made of mineral fibre sheets having a density of $20\text{-}120 \text{ kg/m}^3$. For the insulation of pipes for transport of media having a temperature of about $60 \text{ }^\circ\text{C}$, optimum insulation capacity is obtained by using mineral fibre discs having a density of $50\text{-}60 \text{ kg/m}^3$.

15

20

The tubular member expediently consists of loosely abutting discs, but, if desired, they may also be glued together so as to constitute a coherent element.

25

The mineral fibre sheets used for providing the annular discs or the tubular member are preferably sheets prepared by subjecting a mineral fibre web obtained by pendulum folding to a longitudinal and a vertical compression where the longitudinal compression ratio is preferably from 2:1 to 10:1, discs/a tubular member hereby being obtained having an optimum combination of strength and insulation capacity.

30

35

Prior to gluing the sheet material onto the outer side of the assembly of annular discs or the tubular member, the assembly or the tubular

member is compressed, preferably in the longitudinal direction, to such an extent that the length is reduced by as much as 20 %.

5 As a result of such compression the rigidity of the final tubular sheathing is increased without this causing a change of the bendability following the treatment described above.

10 The central hole in the insulation discs may be circular and have a diameter adapted to the outer diameter of a pipe to be insulated. However, it may be expedient to shape the hole in such a way that the tubular sheathing constituted by the insulation discs can be used for insulating pipes having different diameters, e.g. for insulating pipes having diameters varying between 21 mm and 27 mm.

15 On the inner side of the hole there may for example be provided radially inwardly directed protrusions having such flexibility as to be adaptable to pipes having different diameters, at the same time, however, ensuring that the aggregate tubular sheathing is fixed in relation to the pipe which it is to insulate.

20 When the tubular member in the form of an assembly of annular insulation discs has been provided, the assembly is preferably enveloped in sheet material while being mounted on a common mandrel, in order thereby to maintain correct orientation of the discs and ease the handling of the
25 number of discs which are to constitute a finished tubular sheathing. Thus, the rings provided by the cutting out may be pushed out of the stack as a unit and mounted coaxially in order subsequently to be enveloped in a sheet material, such as an aluminium foil. It is also
30 possible to juxtapose several sets of cut out rings in succession so as to provide tubular sheathings of desired lengths, even up to very considerable lengths.

35 The sheet material is preferably a foil, e.g. a metal foil, such as an aluminium foil, having a thickness of 15-35 μm , e.g. 20 μm . A particularly good strength is obtained by using a reinforced aluminium foil. When the sheet material is a foil, it is advantageously attached to the outer side of the assembly of insulation discs by means of a binder, preferably

5 a thermoplastic binder, e.g. comprising polyethylene. The affixation of the foil may in that case be effected by using a foil coated with a binder, and undertaking heating of the foil in connection with the application thereof on the assembly of insulation discs. A particularly good adhesion of the foil is achieved by mechanically pressing the heated foil against the outer side of the assembly of insulation discs. Hereby the binder is pressed into the fibrous insulation material. It is particularly advantageous to use a binder which is adhesive at room temperature.

10 However, use may also be made of an inorganic binder, such as a silicate binder. Instead of a metal foil, paper may be used. The sheet material is not necessarily attached to the discs by full adhesion, since it may suffice to glue it on in longitudinally extending stripes. A particularly good result is achieved with longitudinally extending wide stripes of a thermoplastic binder covering about 80 % of the outer side of the tubular member.

15 Preferably, the sheet material is smooth, but may be corrugated with alternating protrusions and recesses extending perpendicularly to the longitudinal axis of the tubular sheathing.

20 In the following the invention is described in more detail, reference being made to the drawing in which

25 Fig. 1 is a perspective view of a tubular sheathing for use in the method according to the invention with a partly released sheet material, and

30 Figs. 2-3 are sectional views of annular mineral fibre discs having different hole shapes.

35 Fig. 1 shows a tubular sheathing composed of an assembly of annular insulation discs 1 consisting of mineral fibres, the assembly on one side having a first throughgoing cutting zone 2, and on the other side a second non-throughgoing cutting zone 3, the latter serving to facilitate the opening of the tubular sheathing when it is to be fitted on a pipe.

The assembly of insulation discs is enveloped in a sheet material 4, e.g. of aluminium foil, which is glued onto the outer side of the assembly by means of an adhesive not shown. The portion of the sheet material 4 stretching along the throughgoing cutting zone 2 has an extension 5 which serves as overlapping zone after the mounting of the tubular sheathing on a pipe which it is desired to insulate, and which is e.g. provided with a selfadhesive glue stripe.

Fig. 2 and fig. 3 show annular insulation discs 20, 21, respectively, having axially extending cutting zones 22. The inner side of the insulation discs is provided with radially inwardly directed resilient protrusions 23, so as to be usable for insulating pipes having different outer diameters.

The cut out cores may optionally be used for cutting out further tubular sheathings having an outer diameter corresponding to the outer diameter of the cores. In that case, any radial protrusions on the outer side of the core pieces must be removed.

22903-737

7

CLAIMS:

1. A method of insulating a pipe wherein a tubular sheathing comprising a tubular member of bonded mineral fibres oriented essentially in planes perpendicular to the longitudinal axis of the tubular member, and a sheet material, which by gluing is attached to the outer side of the tubular member, is mounted so as to envelop the pipe, wherein the tubular sheathing, prior to being mounted on the pipe, is alternately compressed and stretched in axial direction in a zone in which the tubular sheathing is to insulate a bend on the pipe.
2. The method according to claim 1 wherein the tubular member is radially slitted.
3. The method according to claim 1, wherein use is made of a tubular sheathing, the tubular member of which is constituted by an assembly of annular, axially slitted discs.
4. The method according to claim 3, wherein the assembly of annular, axially slitted discs is prepared by providing a stack of sheets of mineral fibres essentially being oriented in planes parallel to the sheet sides, and by simultaneously cutting out a number of annular discs corresponding to the number of mineral fibre sheets.
5. The method according to any one of claims 1 to 4, wherein use is made of tubular sheathings where the tubular member is prepared from a mineral fibre material having a density of 20-120 kg/m³.
6. The method according to any one of claims 1 to 5, wherein the tubular member is prepared from mineral fibre

22903-737

8

sheets obtained by pendulum folding and subjected to a longitudinal and a vertical compression.

7. The method according to any one of claims 1 to 6, wherein use is made of a tubular sheathing, the tubular member of which has been compressed in a longitudinal direction prior to it being provided with a sheet material.

FETHERSTONHAUGH & CO.

OTTAWA, CANADA

PATENT AGENTS

1/2

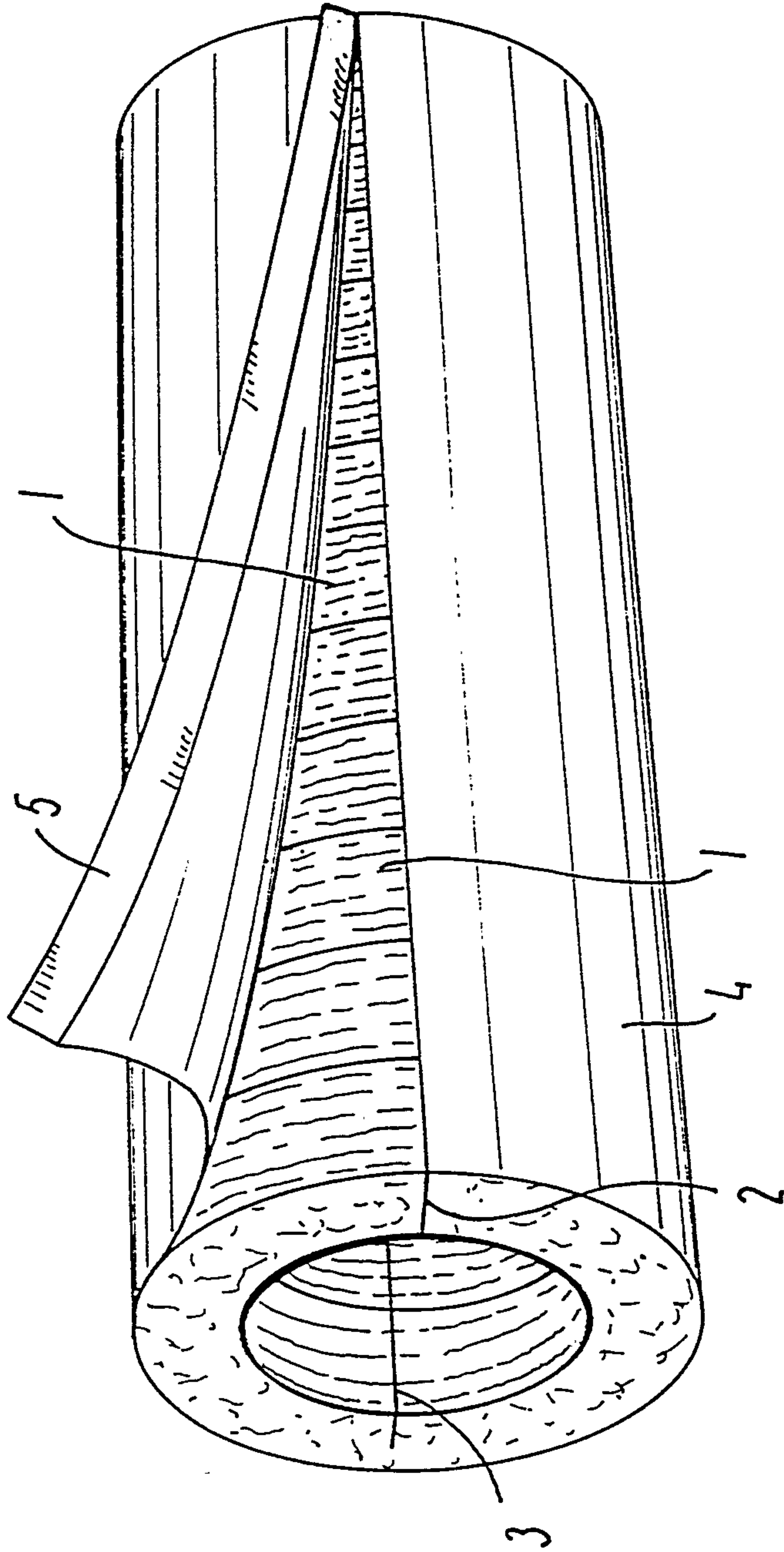


FIG. 1

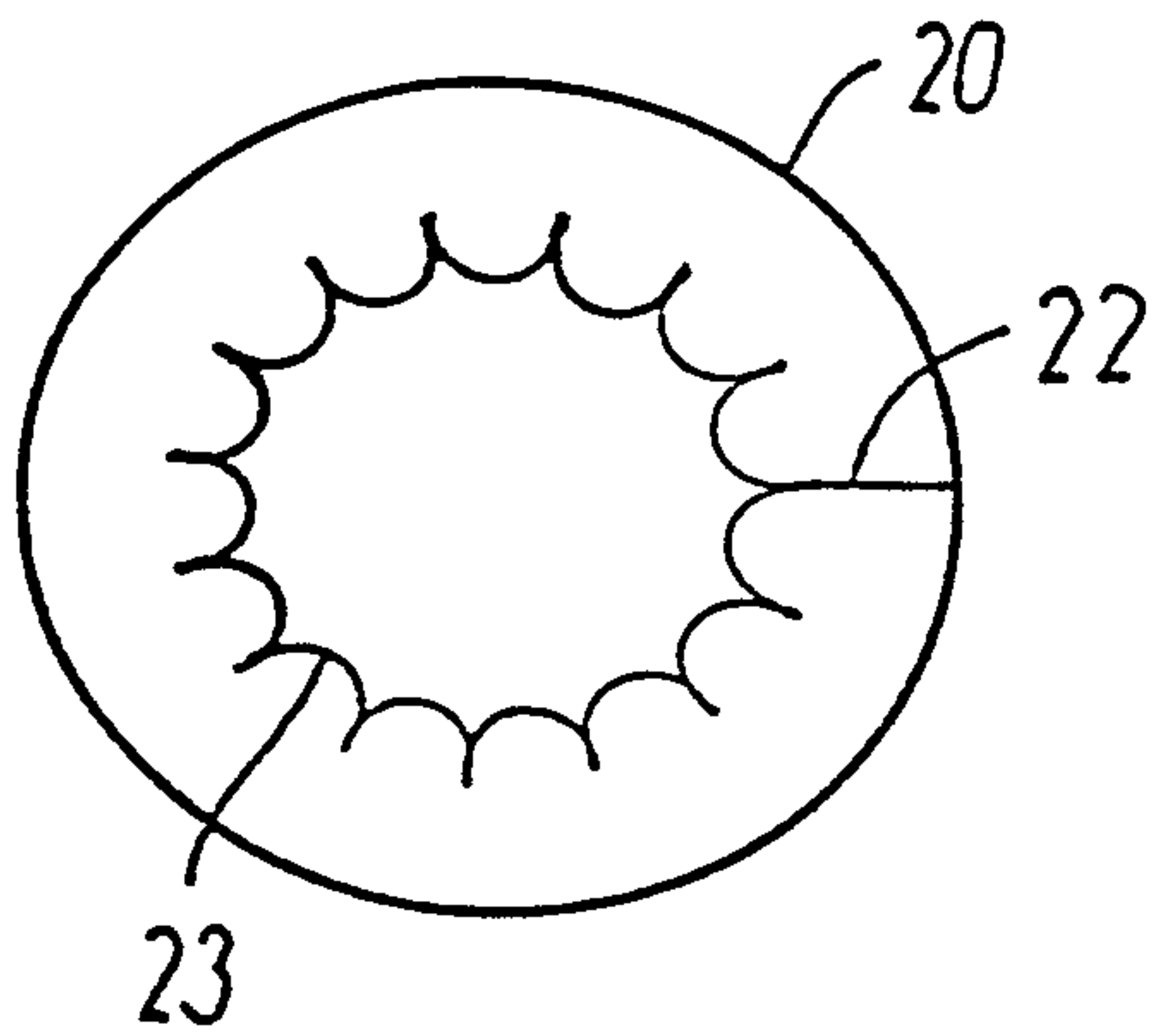


FIG. 2

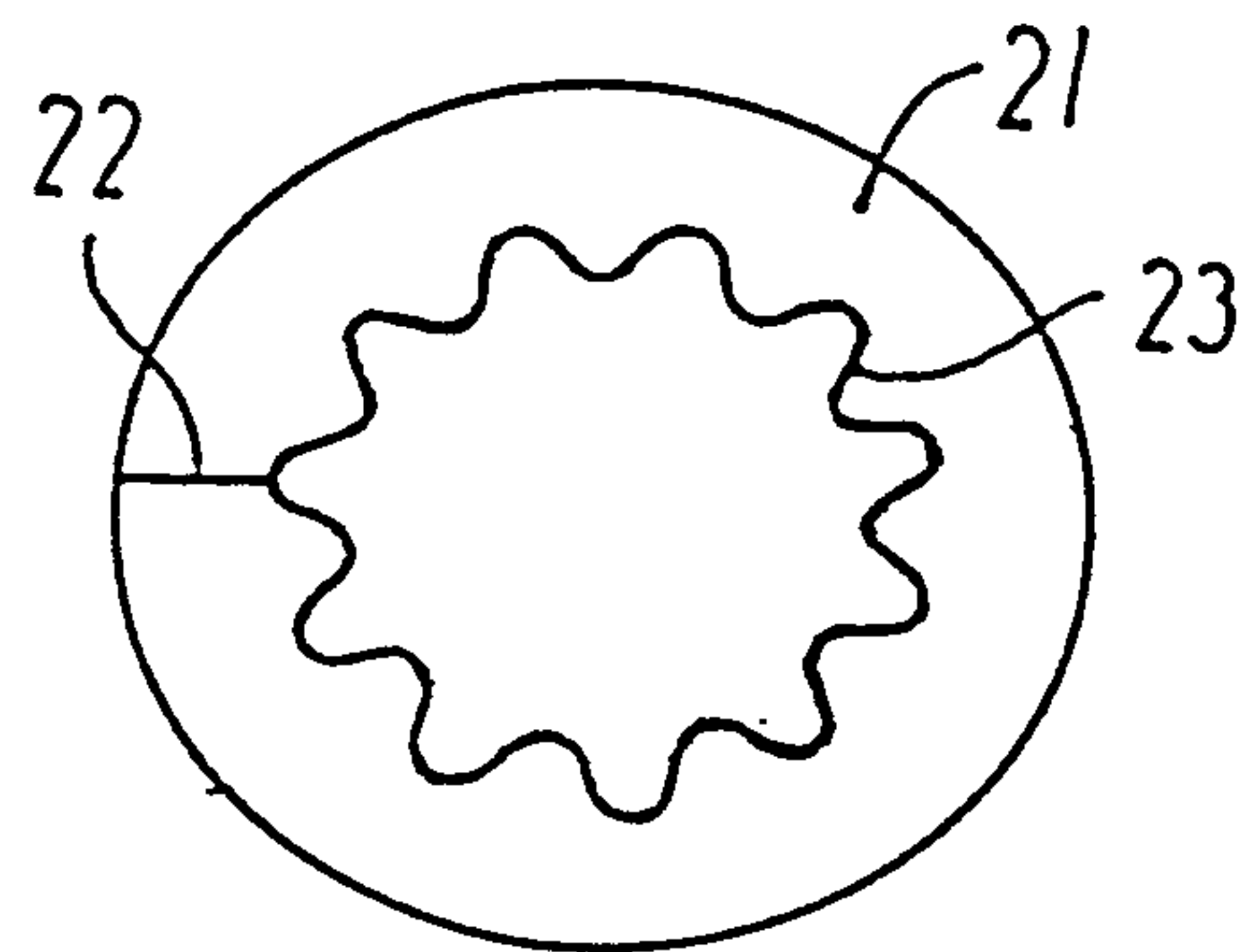


FIG. 3

