



INTERNATIONAL APPLICATION PUBLISHED UNDER THE PATENT COOPERATION TREATY (PCT)

(51) International Patent Classification ⁶ :

B60N 2/08, 2/12

A3

(11) International Publication Number:

WO 95/19272

(43) International Publication Date:

20 July 1995 (20.07.95)

(21) International Application Number: PCT/GB95/00091

(22) International Filing Date: 18 January 1995 (18.01.95)

(30) Priority Data:

9400858.8

18 January 1994 (18.01.94)

GB

(71) Applicant (for all designated States except US): JOHNSON CONTROLS AUTOMOTIVE (UK) LIMITED [GB/GB]; 55 Progress Road, Leigh-on-Sea, Essex SS9 5JJ (GB).

(72) Inventors; and

(75) Inventors/Applicants (for US only): FREEMAN, Colin [GB/GB]; 39 Hagley Road, Hayley Green, Halesowen, West Midlands B63 1DR (GB). HOLLOWAY, Ian, Pemberton [GB/GB]; 178 Bridgetown Road, Stratford-on-Avon CV37 7JH (GB).

(74) Agent: FORRESTER KETLEY & CO.; Chamberlain House, Paradise Place, Birmingham B3 3HP (GB).

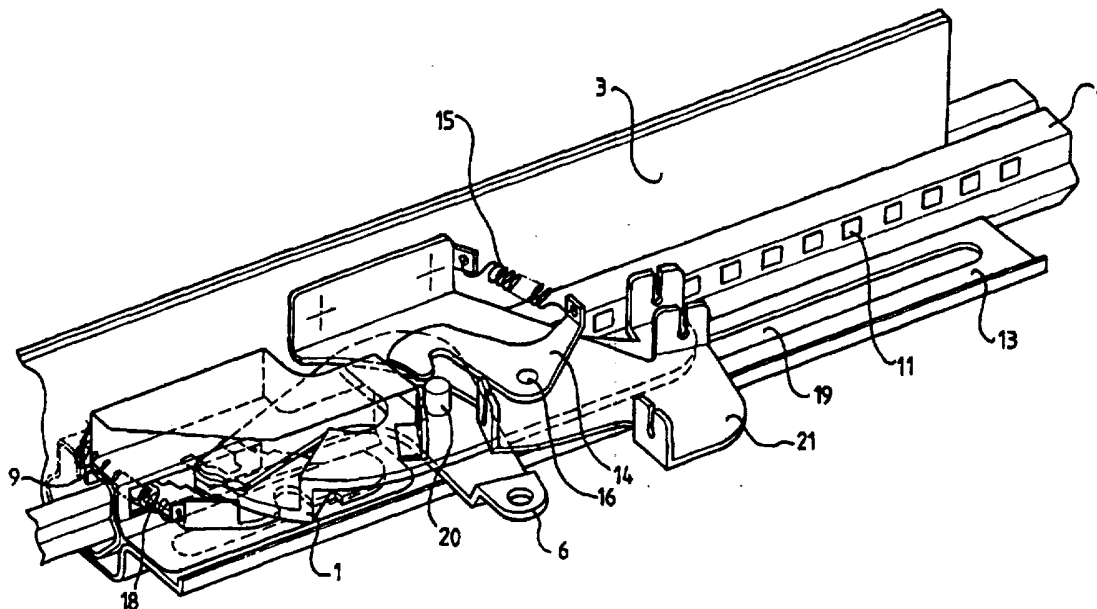
(81) Designated States: AM, AT, AU, BB, BG, BR, BY, CA, CH, CN, CZ, DE, DK, EE, ES, FI, GB, GE, HU, JP, KE, KG, KP, KR, KZ, LK, LR, LT, LU, LV, MD, MG, MN, MW, MX, NL, NO, NZ, PL, PT, RO, RU, SD, SE, SI, SK, TJ, TT, UA, US, UZ, VN, European patent (AT, BE, CH, DE, DK, ES, FR, GB, GR, IE, IT, LU, MC, NL, PT, SE), OAPI patent (BF, BJ, CF, CG, CI, CM, GA, GN, ML, MR, NE, SN, TD, TG), ARIPO patent (KE, MW, SD, SZ).

Published*With international search report.**Before the expiration of the time limit for amending the claims and to be republished in the event of the receipt of amendments.*

(88) Date of publication of the international search report:

17 August 1995 (17.08.95)

(54) Title: MOUNTING MECHANISM FOR A SEAT



(57) Abstract

A mounting mechanism for a seat, comprising slide means providing for sliding movement of the seat relative to a support therefor; latch means for retaining the seat in a selected one of a number of positions in its range of said sliding movement; and means for retaining an indication of said selected seat position to enable the seat to be moved from said selected position and returned thereto.

FOR THE PURPOSES OF INFORMATION ONLY

Codes used to identify States party to the PCT on the front pages of pamphlets publishing international applications under the PCT.

AT	Austria	GB	United Kingdom	MR	Mauritania
AU	Australia	GE	Georgia	MW	Malawi
BB	Barbados	GN	Guinea	NE	Niger
BE	Belgium	GR	Greece	NL	Netherlands
BF	Burkina Faso	HU	Hungary	NO	Norway
BG	Bulgaria	IE	Ireland	NZ	New Zealand
BJ	Benin	IT	Italy	PL	Poland
BR	Brazil	JP	Japan	PT	Portugal
BY	Belarus	KE	Kenya	RO	Romania
CA	Canada	KG	Kyrgystan	RU	Russian Federation
CF	Central African Republic	KP	Democratic People's Republic of Korea	SD	Sudan
CG	Congo	KR	Republic of Korea	SE	Sweden
CH	Switzerland	KZ	Kazakhstan	SI	Slovenia
CI	Côte d'Ivoire	LI	Liechtenstein	SK	Slovakia
CM	Cameroon	LU	Luxembourg	SN	Senegal
CN	China	LV	Latvia	TD	Chad
CS	Czechoslovakia	LK	Sri Lanka	TG	Togo
CZ	Czech Republic	LU	Luxembourg	TJ	Tajikistan
DE	Germany	MC	Monaco	TT	Trinidad and Tobago
DK	Denmark	MD	Republic of Moldova	UA	Ukraine
ES	Spain	MG	Madagascar	US	United States of America
FI	Finland	ML	Mali	UZ	Uzbekistan
FR	France	MN	Mongolia	VN	Viet Nam
GA	Gabon				

INTERNATIONAL SEARCH REPORT

Intern al Application No

PCT/GB 95/00091

A. CLASSIFICATION OF SUBJECT MATTER
 IPC 6 B60N2/08 B60N2/12

According to International Patent Classification (IPC) or to both national classification and IPC

B. FIELDS SEARCHED

Minimum documentation searched (classification system followed by classification symbols)
 IPC 6 B60N

Documentation searched other than minimum documentation to the extent that such documents are included in the fields searched

Electronic data base consulted during the international search (name of data base and, where practical, search terms used)

C. DOCUMENTS CONSIDERED TO BE RELEVANT

Category *	Citation of document, with indication, where appropriate, of the relevant passages	Relevant to claim No.
X	US,A,4 648 657 (DAVID C. COX) 10 March 1987 see column 2, line 50 - column 4, line 30; figures 1-11 ---	1-3, 12, 13
X	US,A,4 671 571 (EDMOND R. GIONET) 9 June 1987 see column 2, line 50 - column 3, line 53; figures 1-7 ---	1-3, 12, 13
A	US,A,4 881 774 (DAVID W. BRADLEY) 21 November 1989 ---	
A	GB,A,2 033 738 (T I COX LIMITED) 29 May 1980 ---	
A,P	EP,A,0 589 759 (BERTRAND FAURE AUTOMOBILE "BFA") 30 March 1994 -----	

Further documents are listed in the continuation of box C.

Patent family members are listed in annex.

* Special categories of cited documents :

"A" document defining the general state of the art which is not considered to be of particular relevance
 "E" earlier document but published on or after the international filing date
 "L" document which may throw doubts on priority claim(s) or which is cited to establish the publication date of another citation or other special reason (as specified)
 "O" document referring to an oral disclosure, use, exhibition or other means
 "P" document published prior to the international filing date but later than the priority date claimed

"T" later document published after the international filing date or priority date and not in conflict with the application but cited to understand the principle or theory underlying the invention

"X" document of particular relevance; the claimed invention cannot be considered novel or cannot be considered to involve an inventive step when the document is taken alone

"Y" document of particular relevance; the claimed invention cannot be considered to involve an inventive step when the document is combined with one or more other such documents, such combination being obvious to a person skilled in the art.

"&" document member of the same patent family

Date of the actual completion of the international search

20 June 1995

Date of mailing of the international search report

03.07.95

Name and mailing address of the ISA

European Patent Office, P.B. 5818 Patentaan 2
 NL - 2280 HV Rijswijk
 Tel. (+31-70) 340-2040, Tx. 31 651 epo nl,
 Fax (+31-70) 340-3016

Authorized officer

Horvath, R

INTERNATIONAL SEARCH REPORT

Information on patent family members

International Application No

PCT/GB 95/00091

Patent document cited in search report	Publication date	Patent family member(s)	Publication date
US-A-4648657	10-03-87	NONE	
US-A-4671571	09-06-87	NONE	
US-A-4881774	21-11-89	CA-A- 1304281	30-06-92
GB-A-2033738	29-05-80	NONE	
EP-A-0589759	30-03-94	FR-A- 2695885 JP-A- 6305347 US-A- 5407165	25-03-94 01-11-94 18-04-95