



US00D617447S

(12) **United States Design Patent**  
**Hajarian et al.**

(10) **Patent No.:** **US D617,447 S**

(45) **Date of Patent:** **\*\* Jun. 8, 2010**

(54) **SURGICAL SUCTION TIP**

(76) Inventors: **Hamid Cyrus Hajarian**, 27741 Agate Canyon Dr., Laguna Niguel, CA (US) 92677; **Vahid Hamidi**, 17 Cayman Brac, Aliso Viejo, CA (US) 92656

(\*\*) Term: **14 Years**

(21) Appl. No.: **29/316,875**

(22) Filed: **Nov. 10, 2009**

(51) **LOC (9) Cl.** ..... **24-02**

(52) **U.S. Cl.** ..... **D24/112**

(58) **Field of Classification Search** ..... D24/112-114, D24/133, 186, 104, 130, 127, 176, 146, 135; 606/181, 185; 604/232, 187, 158, 164.08, 604/192, 263, 163, 181, 184, 198, 227, 541, 604/48; 433/80

See application file for complete search history.

(56) **References Cited**

**U.S. PATENT DOCUMENTS**

4,468,217	A *	8/1984	Kuzmick et al. ....	604/48
4,886,492	A *	12/1989	Brooke .....	604/541
D383,841	S *	9/1997	Runciman .....	D24/133
5,876,201	A *	3/1999	Wilson et al. ....	433/80
D500,553	S *	1/2005	George .....	D24/133
D505,067	S *	5/2005	Nestenborg .....	D24/130
D528,207	S *	9/2006	Kling .....	D24/146

D538,929	S *	3/2007	Chuang .....	D24/112
D549,327	S *	8/2007	Aparici et al. ....	D24/133
D559,979	S *	1/2008	Suematsu et al. ....	D24/133
D603,046	S *	10/2009	Frey .....	D24/146
D612,048	S *	3/2010	Baynham .....	D24/146
D612,049	S *	3/2010	Baynham .....	D24/146

\* cited by examiner

*Primary Examiner*—T. Chase Nelson

*Assistant Examiner*—David G Muller

(57) **CLAIM**

The ornamental design for a surgical suction tip, as shown & described.

**DESCRIPTION**

FIG. 1 is a top perspective view of a surgical suction tip showing our design;

FIG. 2 is a rear perspective view thereof;

FIG. 3 is a bottom perspective view thereof;

FIG. 4 is a top plan view thereof;

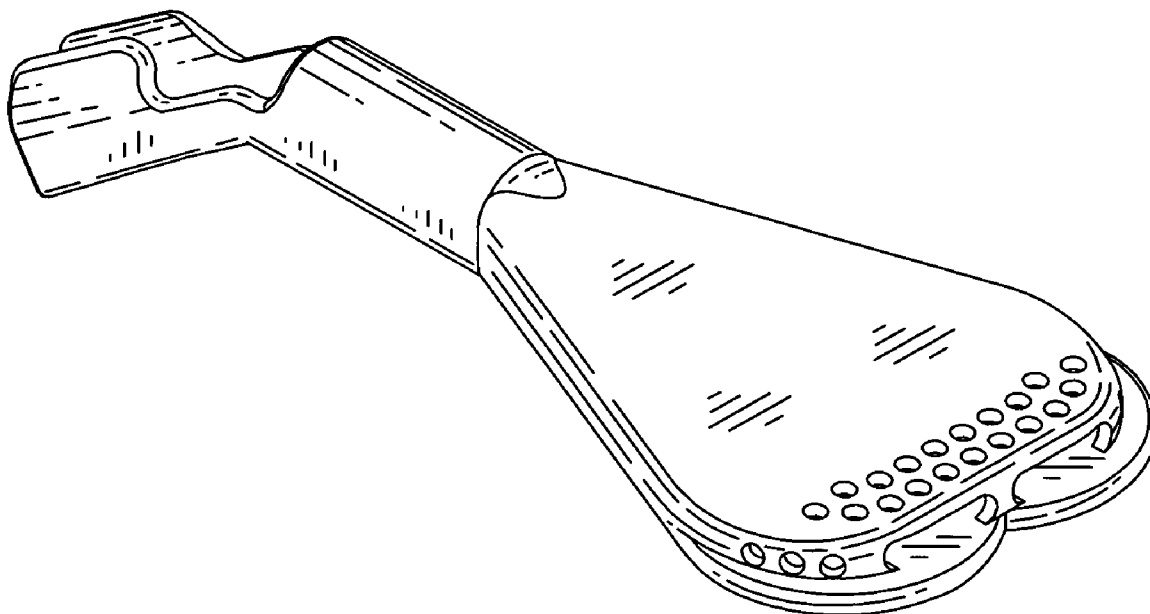
FIG. 5 is a right side elevation thereof, and left side view being a mirror image of the right side;

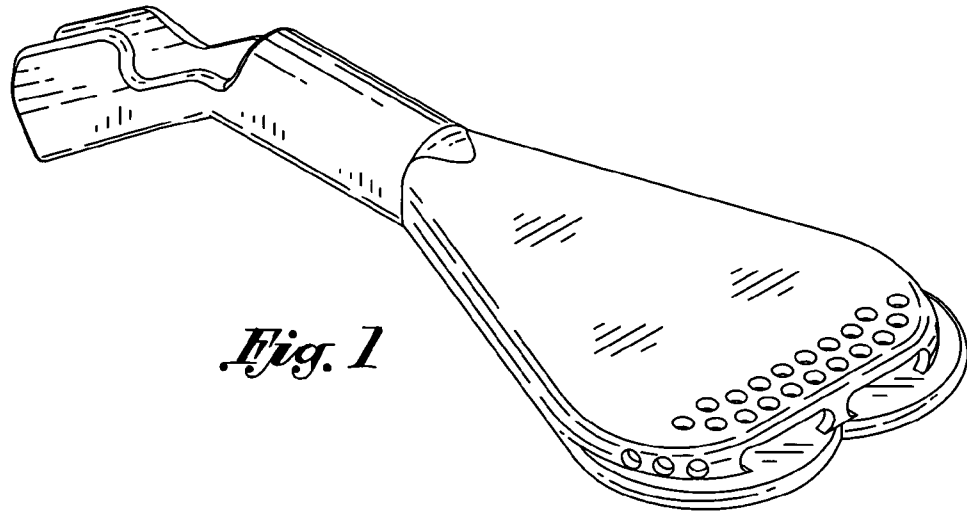
FIG. 6 is a bottom plan view thereof;

FIG. 7 is a rear elevation view thereof; and,

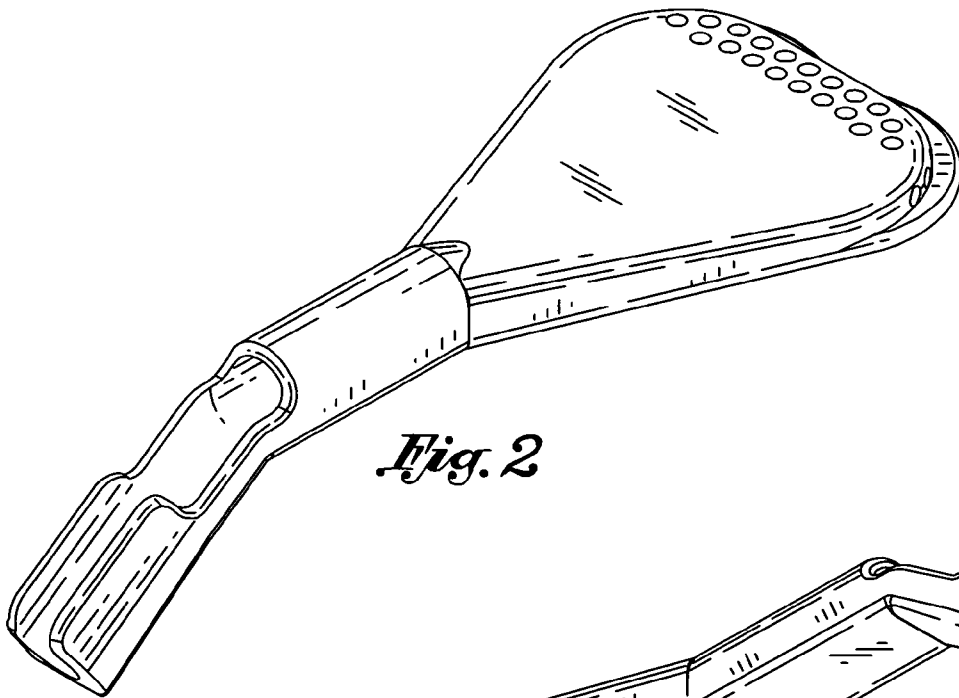
FIG. 8 is a front elevation view thereof.

**1 Claim, 2 Drawing Sheets**

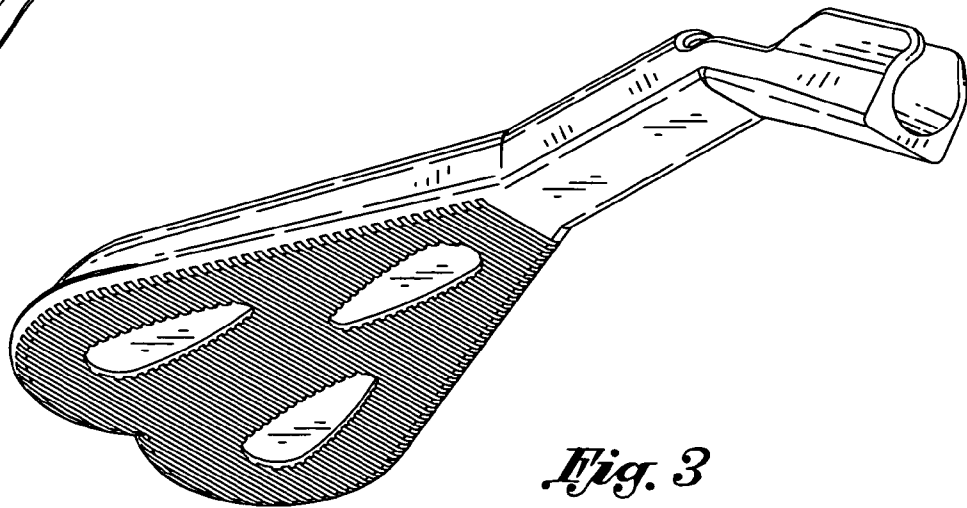




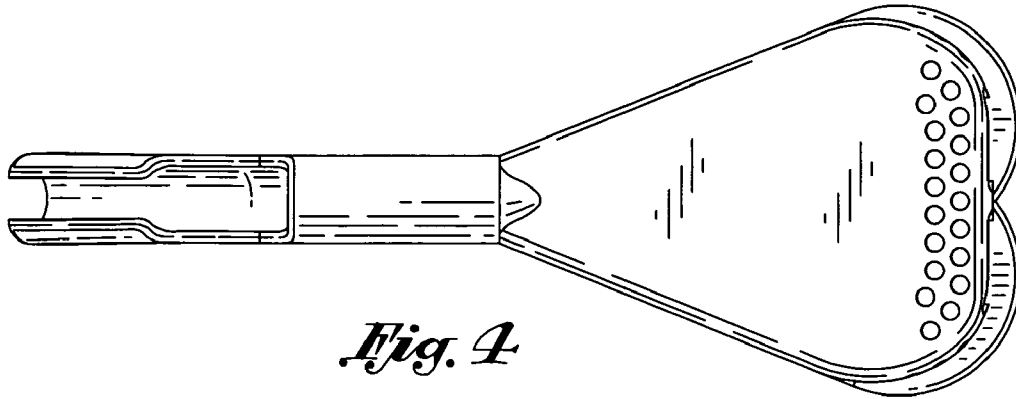
*Fig. 1*



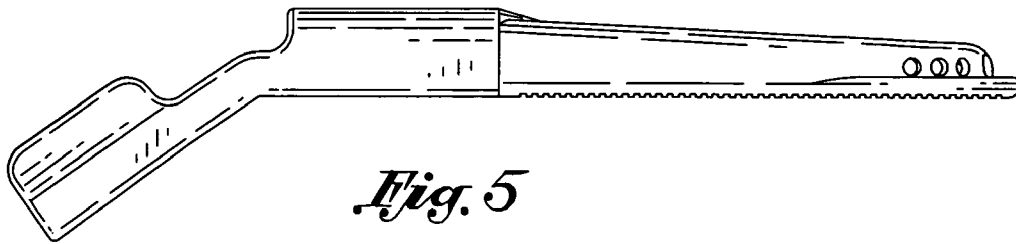
*Fig. 2*



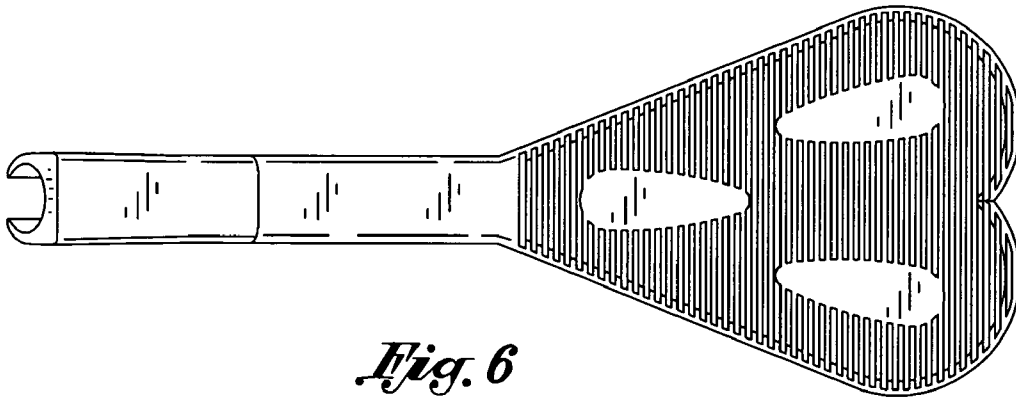
*Fig. 3*



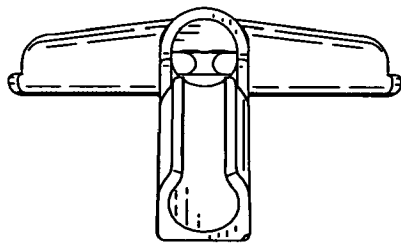
*Fig. 4*



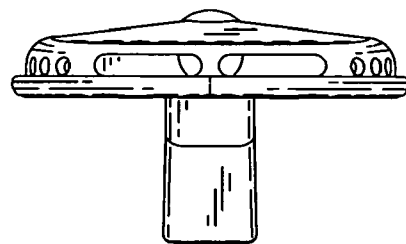
*Fig. 5*



*Fig. 6*



*Fig. 7*



*Fig. 8*