

(19) World Intellectual Property Organization
International Bureau



(43) International Publication Date
16 March 2006 (16.03.2006)

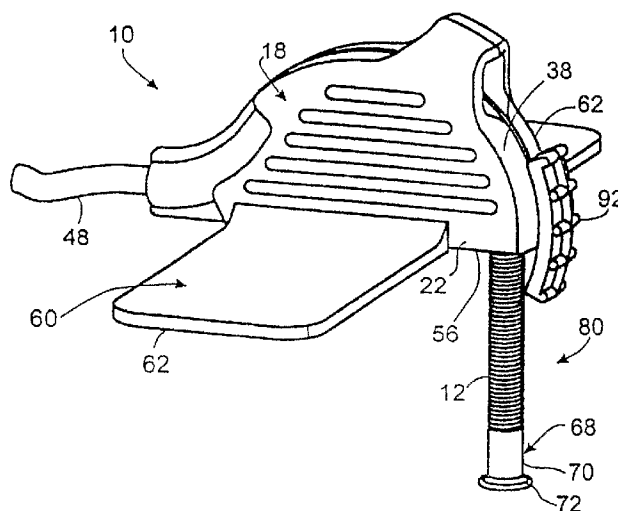
PCT

(10) International Publication Number
WO 2006/028554 A3

- (51) International Patent Classification:
A61M 5/32 (2006.01)
- (21) International Application Number:
PCT/US2005/022317
- (22) International Filing Date: 23 June 2005 (23.06.2005)
- (25) Filing Language: English
- (26) Publication Language: English
- (30) Priority Data:
10/931,536 1 September 2004 (01.09.2004) US
- (71) Applicant (for all designated States except US): **MEDICAL PRODUCT SPECIALISTS DBA MPC ACACIA** [US/US]; 785 Challenger Street, Brea, California 92821 (US).
- (72) Inventors; and
- (75) Inventors/Applicants (for US only): **FLEURY, Michael T.** [US/US]; 2390 Schultz Street, #7, Portage, Wisconsin 53901 (US). **FERGUSON, Fergie F.** [US/US]; 419 Redtail Drive, Brea, California 92823 (US). **HYUN, Dongchul D.** [US/US]; 1594 Cedarcrest, Brea, California 92821 (US).
- (74) Agent: **STETINA BRUNDA GARRED & BRUCKER;** 75 Enterprise, Suite 250, Aliso Viejo, California 92656 (US).
- (81) Designated States (unless otherwise indicated, for every kind of national protection available): AE, AG, AL, AM, AT, AU, AZ, BA, BB, BG, BR, BW, BY, BZ, CA, CH, CN, CO, CR, CU, CZ, DE, DK, DM, DZ, EC, EE, EG, ES, FI, GB, GD, GE, GH, GM, HR, HU, ID, IL, IN, IS, JP, KE, KG, KM, KP, KR, KZ, LC, LK, LR, LS, LT, LU, LV, MA, MD, MG, MK, MN, MW, MX, MZ, NA, NG, NI, NO, NZ, OM, PG, PH, PL, PT, RO, RU, SC, SD, SE, SG, SK, SL, SM, SY, TJ, TM, TN, TR, TT, TZ, UA, UG, US, UZ, VC, VN, YU, ZA, ZM, ZW.
- (84) Designated States (unless otherwise indicated, for every kind of regional protection available): ARIPO (BW, GH, GM, KE, LS, MW, MZ, NA, SD, SL, SZ, TZ, UG, ZM, ZW), Eurasian (AM, AZ, BY, KG, KZ, MD, RU, TJ, TM), European (AT, BE, BG, CH, CY, CZ, DE, DK, EE, ES, FI, FR, GB, GR, HU, IE, IS, IT, LT, LU, MC, NL, PL, PT, RO, SE, SI, SK, TR), OAPI (BF, BJ, CF, CG, CI, CM, GA, GN, GQ, GW, ML, MR, NE, SN, TD, TG).
- Published:
— with international search report

[Continued on next page]

(54) Title: HUBER NEEDLE WITH ANTI-REBOUND SAFETY MECHANISM



(57) Abstract: A safety needle device is provided for protecting a user against needle-stick injuries. This needle device includes a needle housing having a distal housing opening. A needle is disposed within the needle housing and has a distal needle portion which extends away therefrom through the distal housing opening. An elongate sheath assembly surrounds the needle within the needle housing. A biasing member is engaged to the sheath assembly and is configured to apply a force thereupon towards the distal housing opening. The biasing member defines a centerline which is parallel to the needle's distal needle portion. An indexer is engaged to the biasing member and is operative to increase or decrease a spring force of the biasing member by rotating the indexer. A trigger member is engaged to the biasing member for retaining the sheath assembly within the needle housing against the force urging the sheath assembly towards the distal housing opening. The trigger member is sized and configured to release the biasing member. This allows the sheath assembly to transition towards and out of the distal housing opening via the force to thereby enclose the distal needle portion therewith.



WO 2006/028554 A3



(88) Date of publication of the international search report:

8 March 2007

For two-letter codes and other abbreviations, refer to the "Guidance Notes on Codes and Abbreviations" appearing at the beginning of each regular issue of the PCT Gazette.

INTERNATIONAL SEARCH REPORT

International application No.

PCT/US05/22317

A. CLASSIFICATION OF SUBJECT MATTER
 IPC: **A61M 5/32(2006.01)**

USPC: 604/272

According to International Patent Classification (IPC) or to both national classification and IPC

B. FIELDS SEARCHED

Minimum documentation searched (classification system followed by classification symbols)
 U.S. : Please See Continuation Sheet

Documentation searched other than minimum documentation to the extent that such documents are included in the fields searched

Electronic data base consulted during the international search (name of data base and, where practicable, search terms used)

C. DOCUMENTS CONSIDERED TO BE RELEVANT

Category *	Citation of document, with indication, where appropriate, of the relevant passages	Relevant to claim No.
X --- A	US 5,795,336 A (ROMANO et al) 18 August 1998 (18.08.1998), Figures 1-6.	1, 10 ----- 2-9, 11-13
A	US 6,261,259 B1 (BELL) 17 July 2001 (17.07.2001), Figures 1-13B.	1-13

Further documents are listed in the continuation of Box C. See patent family annex.

<p>* Special categories of cited documents:</p> <p>"A" document defining the general state of the art which is not considered to be of particular relevance</p> <p>"E" earlier application or patent published on or after the international filing date</p> <p>"L" document which may throw doubts on priority claim(s) or which is cited to establish the publication date of another citation or other special reason (as specified)</p> <p>"O" document referring to an oral disclosure, use, exhibition or other means</p> <p>"P" document published prior to the international filing date but later than the priority date claimed</p>	<p>"T" later document published after the international filing date or priority date and not in conflict with the application but cited to understand the principle or theory underlying the invention</p> <p>"X" document of particular relevance; the claimed invention cannot be considered novel or cannot be considered to involve an inventive step when the document is taken alone</p> <p>"Y" document of particular relevance; the claimed invention cannot be considered to involve an inventive step when the document is combined with one or more other such documents, such combination being obvious to a person skilled in the art</p> <p>"&" document member of the same patent family</p>
---	---

Date of the actual completion of the international search 02 October 2006 (02.10.2006)	Date of mailing of the international search report 06 DEC 2006
---	--

Name and mailing address of the ISA/US Mail Stop PCT, Attn: ISA/US Commissioner for Patents P.O. Box 1450 Alexandria, Virginia 22313-1450 Facsimile No. (571) 273-3201	Authorized officer Mark K. Han <i>Sharon A. Greene for</i> Telephone No. 571-272-2975
---	---

INTERNATIONAL SEARCH REPORT

International application No.
PCT/US05/22317

Continuation of B. FIELDS SEARCHED Item 1:
604/272, 93.01, 110, 116, 117, 162, 164.04, 164.07, 164.08, 165.01, 165.02, 165.03, 165.04, 174, 177, 192, 197, 198, 263, 264, 272;
128/919