



US00D535338S

(12) **United States Design Patent**
Linard et al.

(10) **Patent No.:** **US D535,338 S**

(45) **Date of Patent:** **** Jan. 16, 2007**

(54) **GAMING MACHINE**

(75) Inventors: **Sylvie Linard**, London (GB); **Graham Trevor Cook**, Harlow (GB)

(73) Assignee: **Cyberscan Technology, Inc.**, Palo Alto, CA (US)

(**) Term: **14 Years**

(21) Appl. No.: **29/233,830**

(22) Filed: **Jul. 8, 2005**

(51) **LOC (8) Cl.** **21-03**

(52) **U.S. Cl.** **D21/369**

(58) **Field of Classification Search** D21/325,
D21/329, 369-371, 374, 385; 273/138.1;
463/16-17, 20, 25, 42, 46-47

See application file for complete search history.

(56) **References Cited**

U.S. PATENT DOCUMENTS

- D463,504 S * 9/2002 Stephan D21/369
- D508,268 S * 8/2005 Hanchar et al. D21/369
- D508,719 S * 8/2005 de Haas D21/369

- D508,961 S * 8/2005 Gatto et al. D21/369
- 2004/0266509 A1 * 12/2004 Bennett et al. 463/16

* cited by examiner

Primary Examiner—Sandra L. Morris

(74) *Attorney, Agent, or Firm*—Young Law Firm, P.C.

(57) **CLAIM**

The ornamental design for a gaming machine, as shown.

DESCRIPTION

FIG. 1 is a front view of a gaming machine according to the present invention.

FIG. 2 is a top view of the gaming machine of FIG. 1.

FIG. 3 is a left side view of the gaming machine of FIG. 1.

FIG. 4 is a right side view of the gaming machine of FIG. 1.

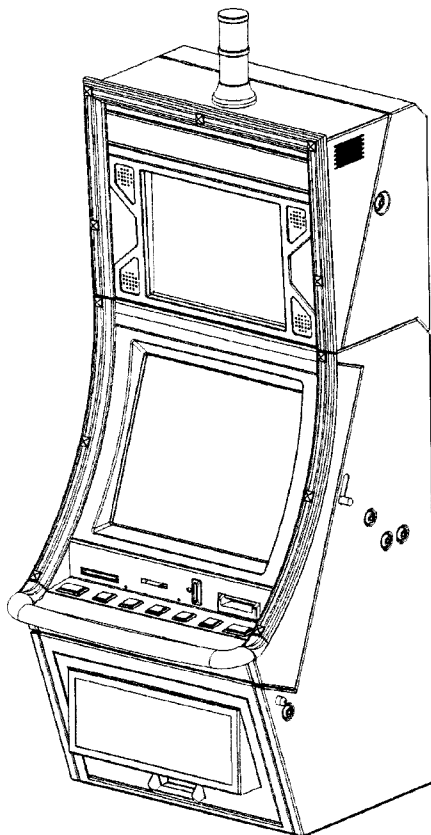
FIG. 5 is a right perspective view of the gaming machine of FIG. 1.

FIG. 6 is a left perspective view of the gaming machine of FIG. 1.

FIG. 7 is a bottom view of the gaming machine of FIG. 1; and,

FIG. 8 is a rear view of the gaming machine of FIG. 1.

1 Claim, 8 Drawing Sheets



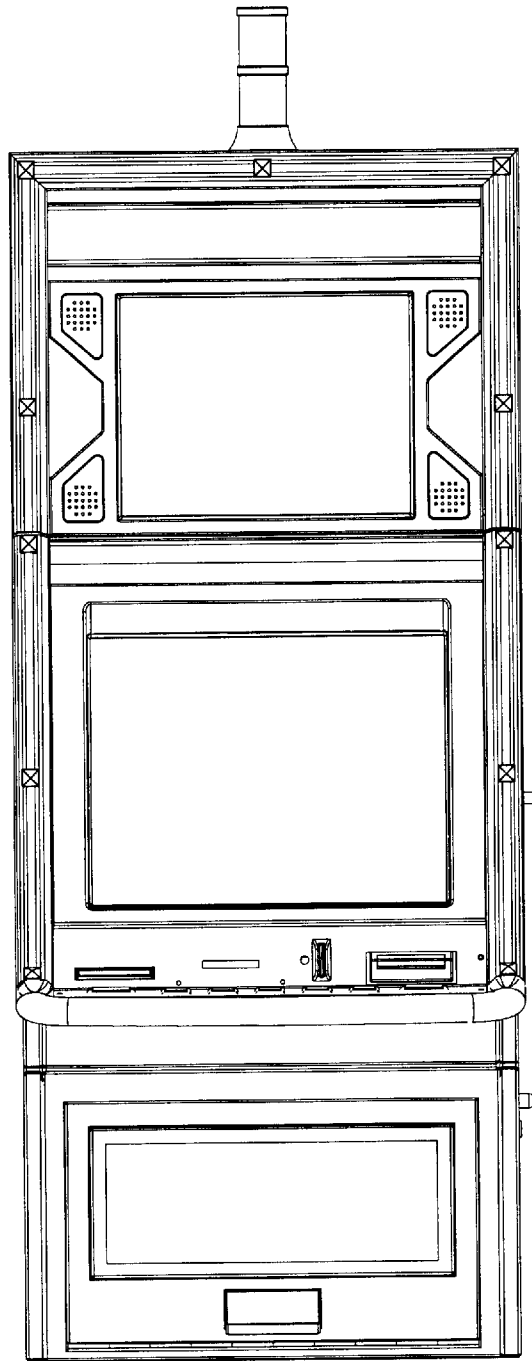


FIG. 1

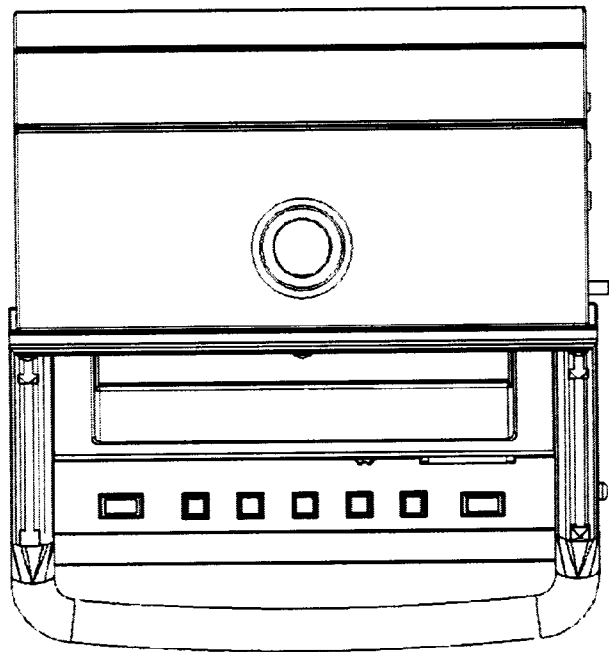


FIG. 2

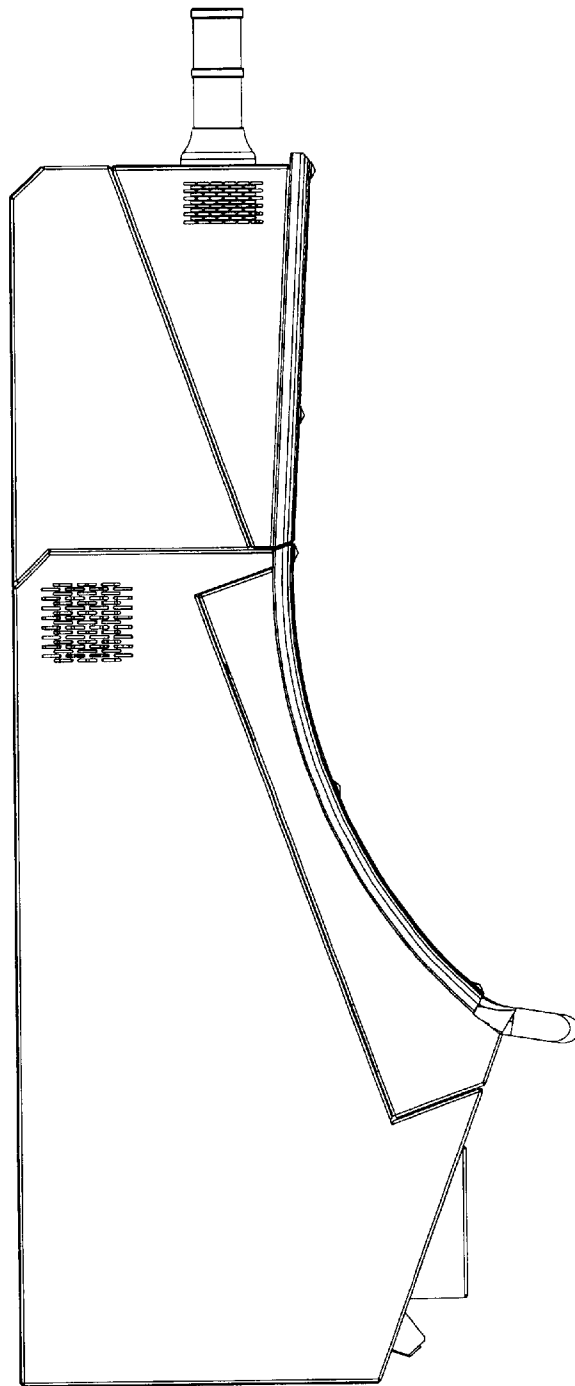


FIG. 3

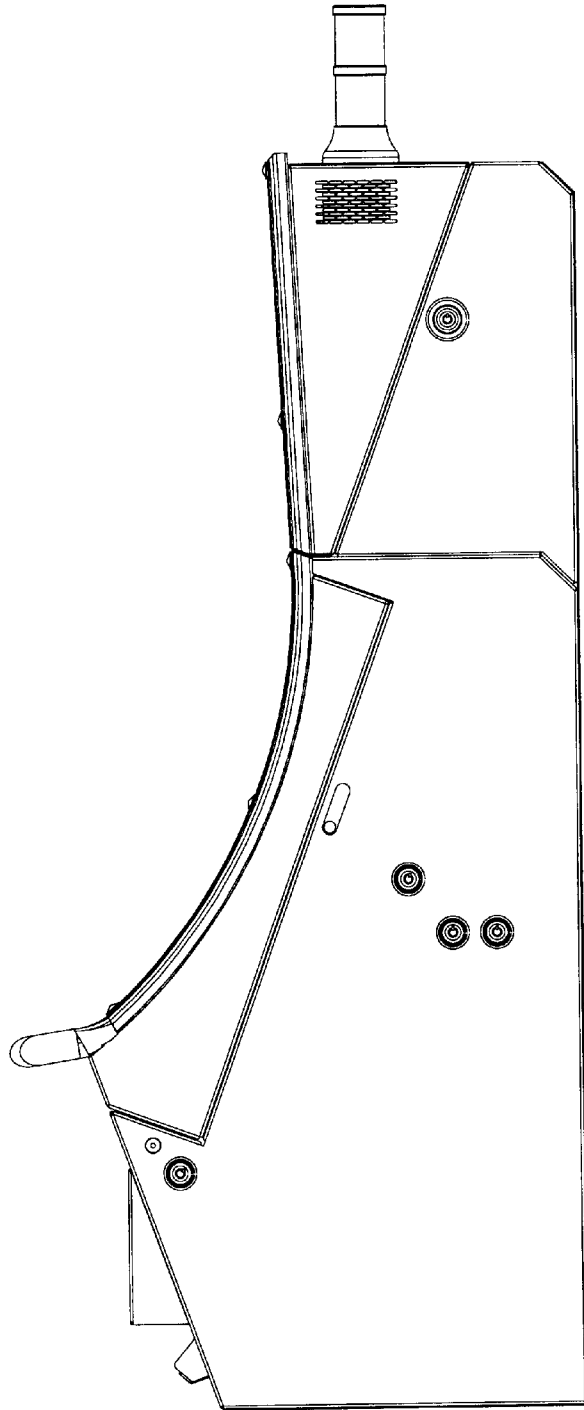


FIG. 4

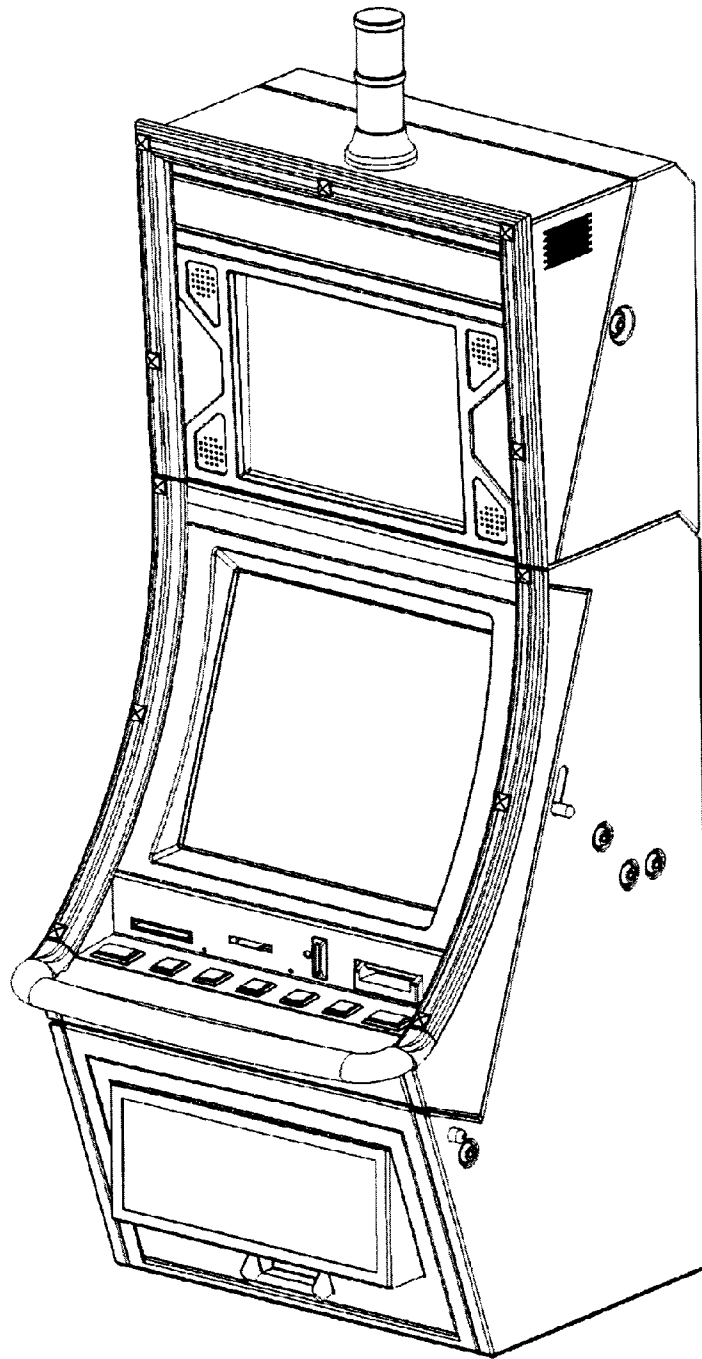


FIG. 5

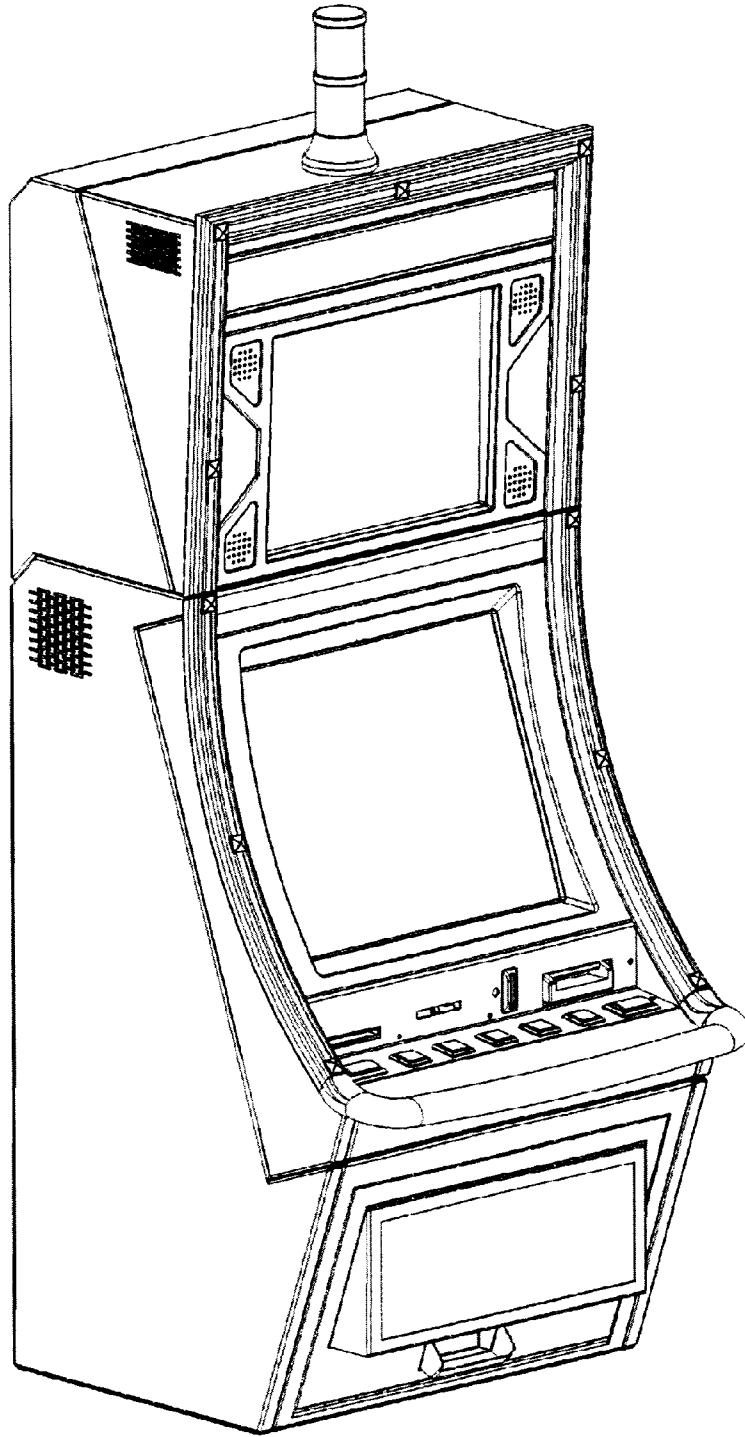


FIG. 6

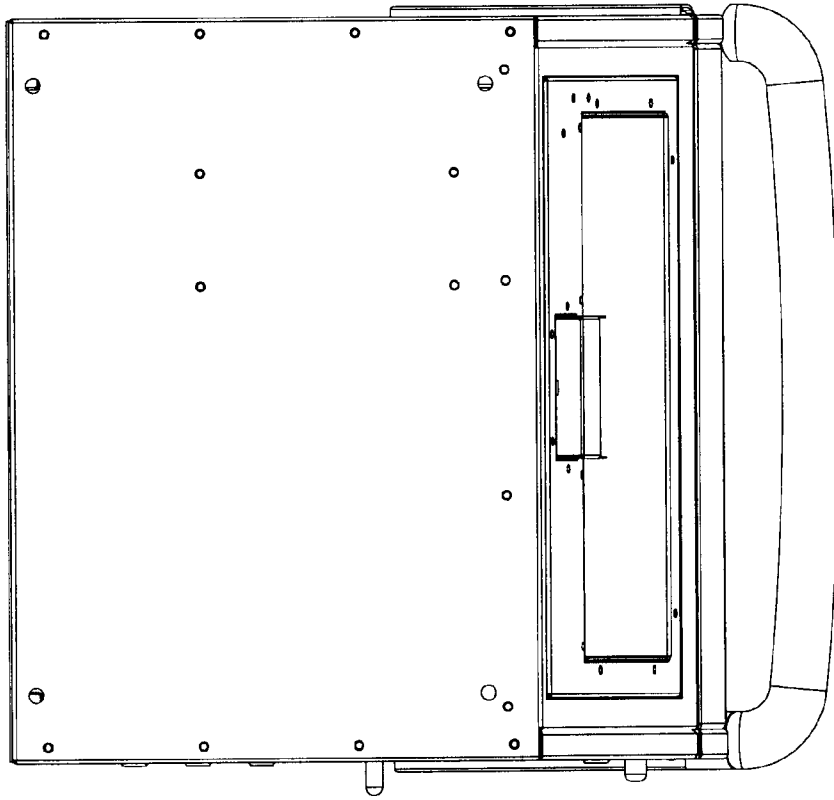


FIG. 7

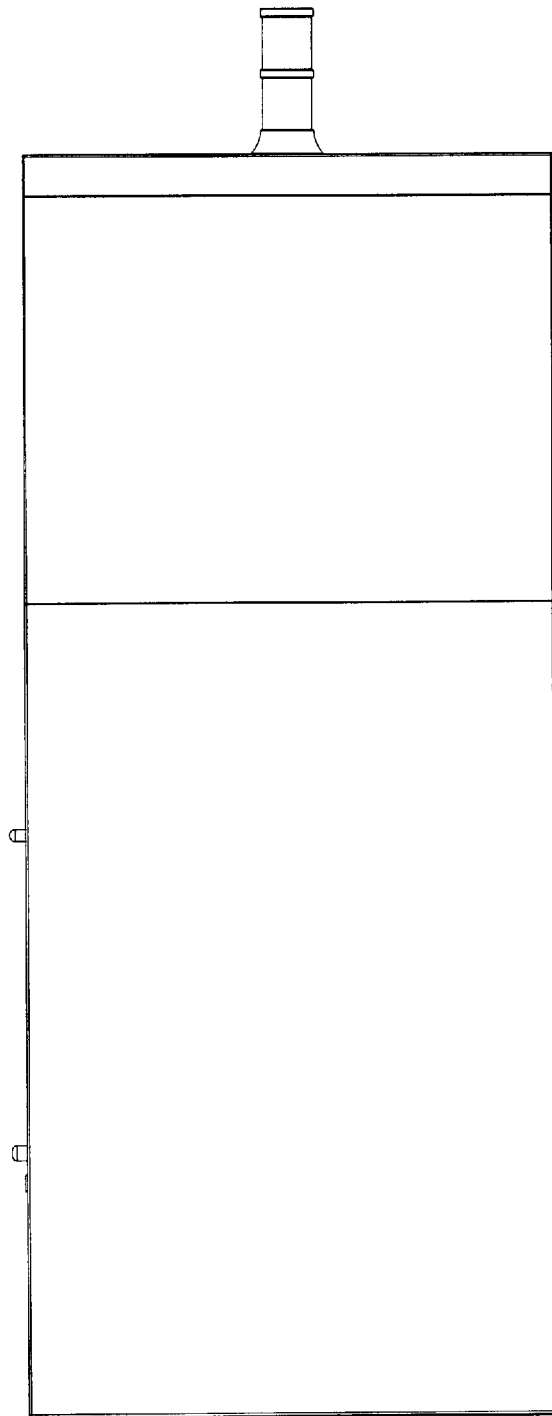


FIG. 8