



US0D1007791S

(12) **United States Design Patent**
Tukiainen

(10) **Patent No.:** **US D1,007,791 S**

(45) **Date of Patent:** **** Dec. 12, 2023**

- (54) **SEWER CLEANING MACHINE**
- (71) Applicant: **Boldan Oy**, Rajamäki (FI)
- (72) Inventor: **Joni Tukiainen**, Helsinki (FI)
- (73) Assignee: **BOLDAN OY**, Rajamaki (FI)
- (**) Term: **15 Years**
- (21) Appl. No.: **29/733,261**
- (22) Filed: **Apr. 30, 2020**

D202,366	S *	9/1965	Bishop	D8/358
D232,377	S *	8/1974	Peterson	D32/14
D240,192	S *	6/1976	Balmar, Jr.	D8/358
D285,901	S *	9/1986	Gustavsson	D8/358
D330,506	S *	10/1992	Clivio	D8/358
5,309,595	A *	5/1994	Salecker	E03F 9/005
					15/257.01
D435,226	S *	12/2000	Bayer, Jr.	D10/72
6,834,813	B1 *	12/2004	Nobi	B65H 75/4434
					137/355.16
7,935,192	B2 *	5/2011	Silverman	B08B 9/045
					15/104.095
D863,941	S *	10/2019	Ge	D8/358

(Continued)

(30) **Foreign Application Priority Data**

Nov. 7, 2019 (EM) 007198312-0001

(51) **LOC (14) Cl.** **15-05**

(52) **U.S. Cl.**
USPC **D32/14**; D8/358

(58) **Field of Classification Search**
USPC D32/1, 14, 25, 35; D8/14, 310-320, 356,
D8/358; D10/72, 74
CPC B08B 9/0436; B08B 9/045; B08B 9/051;
B65H 75/38; B65H 75/364; B65H 75/42;
B65H 75/4471; B65H 75/40; B65H
2701/33; E03F 9/005; Y10T 24/39; Y10T
24/3936

See application file for complete search history.

(56) **References Cited**

U.S. PATENT DOCUMENTS

2,267,493	A *	12/1941	Clotz	E03F 9/005
					15/104.33
D164,546	S *	9/1951	Becker	D8/358
2,619,665	A *	12/1952	Hopkins	E03F 9/005
					242/157 R
D189,840	S *	3/1961	Hunt	D32/14
D196,100	S *	8/1963	O'Neill	D32/14
D198,833	S *	8/1964	O'Neill	D32/14
D201,088	S *	5/1965	Derrickson	D8/358

FOREIGN PATENT DOCUMENTS

IL 64982 * 5/2020

Primary Examiner — Jennifer Rivard

Assistant Examiner — Jennylou M Binas

(74) *Attorney, Agent, or Firm* — NIXON & VANDERHYE

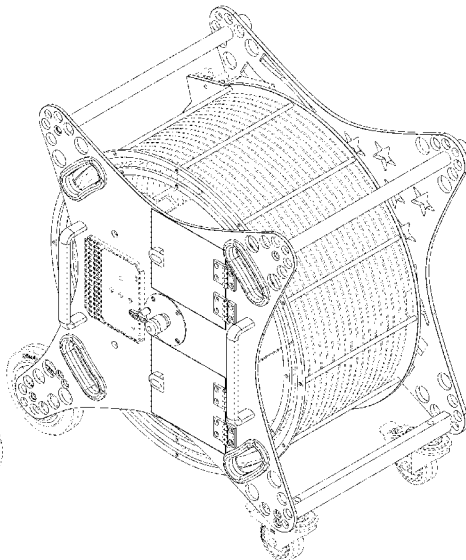
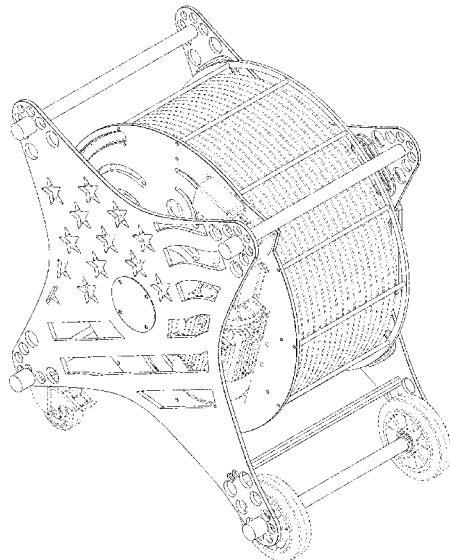
(57) **CLAIM**

The ornamental design for a sewer cleaning machine, as shown and described.

DESCRIPTION

FIG. 1 is a front, left side, and top perspective view of a sewer cleaning machine showing the new design; FIG. 2 is a left side elevation view thereof; FIG. 3 is a right side elevation view thereof; FIG. 4 is a rear elevation view thereof; FIG. 5 is a top plan view thereof; FIG. 6 is a bottom plan view thereof; FIG. 7 is a front elevation view thereof; and, FIG. 8 is a rear, right side, and top perspective view thereof. The broken lines shown in the drawings illustrate portions of the sewer cleaning machine that form no part of the claimed design.

1 Claim, 8 Drawing Sheets



(56)

References Cited

U.S. PATENT DOCUMENTS

D939,943	S *	1/2022	Uccellani	D8/358
D966,635	S *	10/2022	Cederberg	D32/14
2010/0139696	A1 *	6/2010	Silverman	B08B 9/045
				15/104.33
2021/0172162	A1 *	6/2021	Cole	E03F 9/005

* cited by examiner

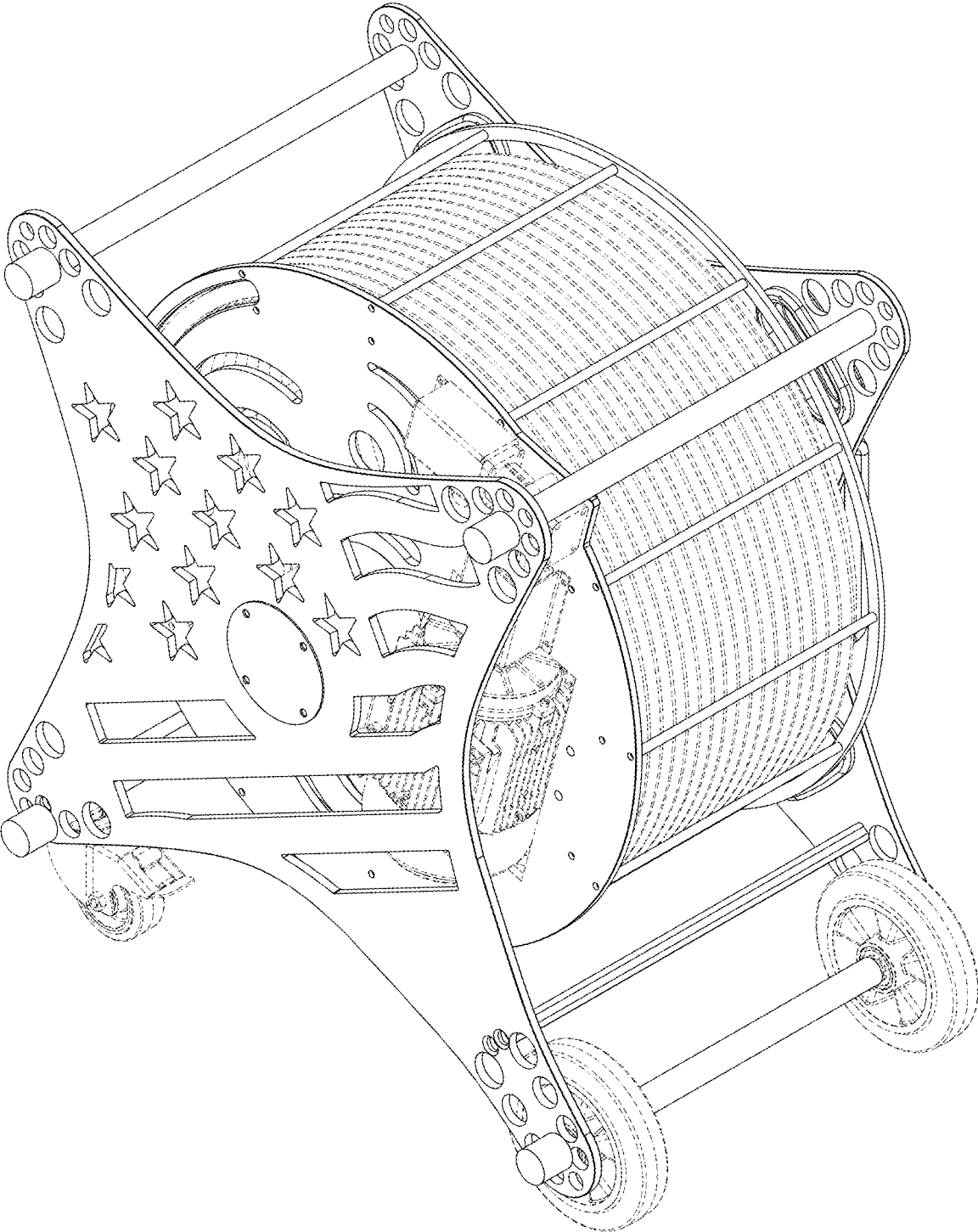


FIG. 1

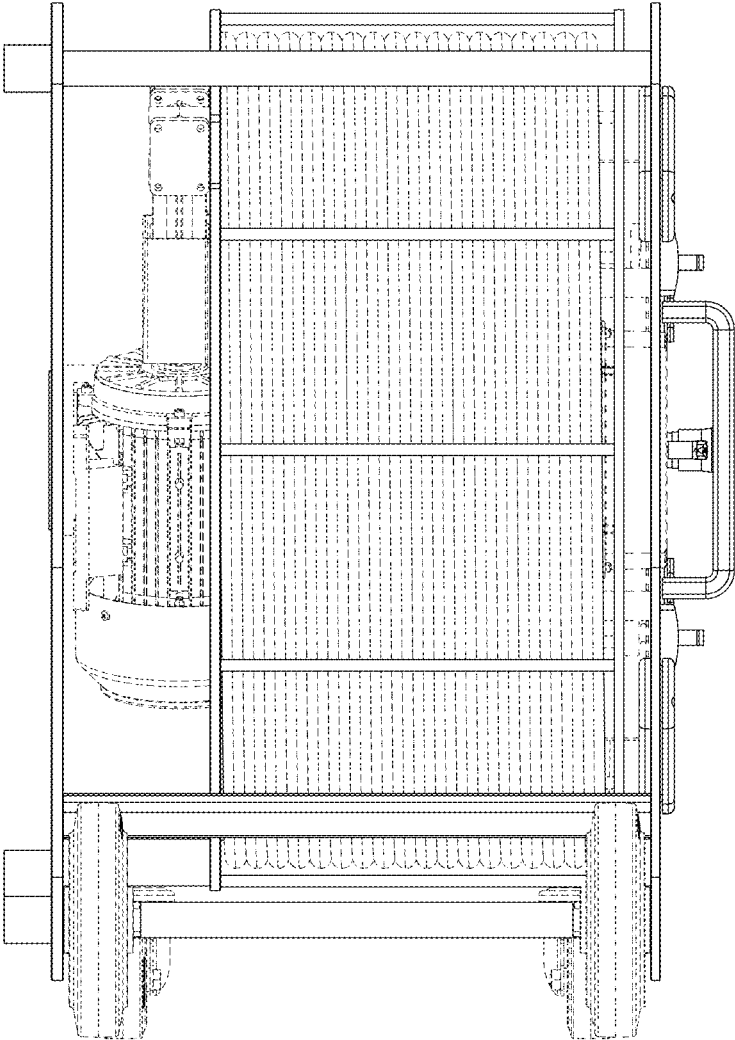


FIG.2

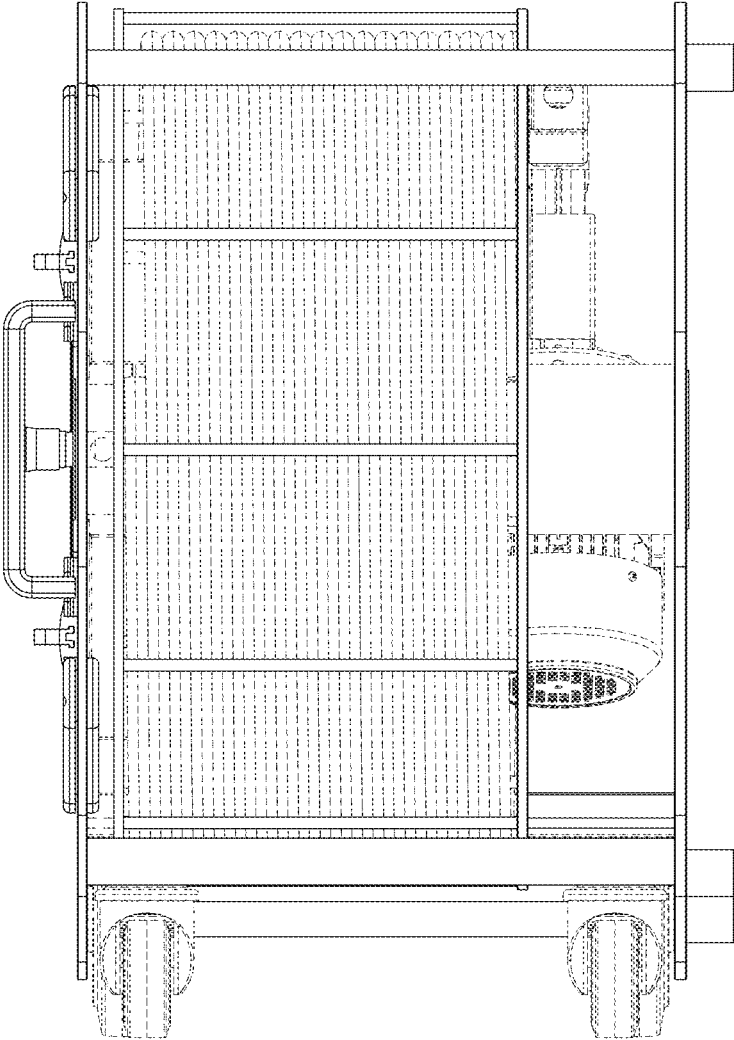


FIG.3

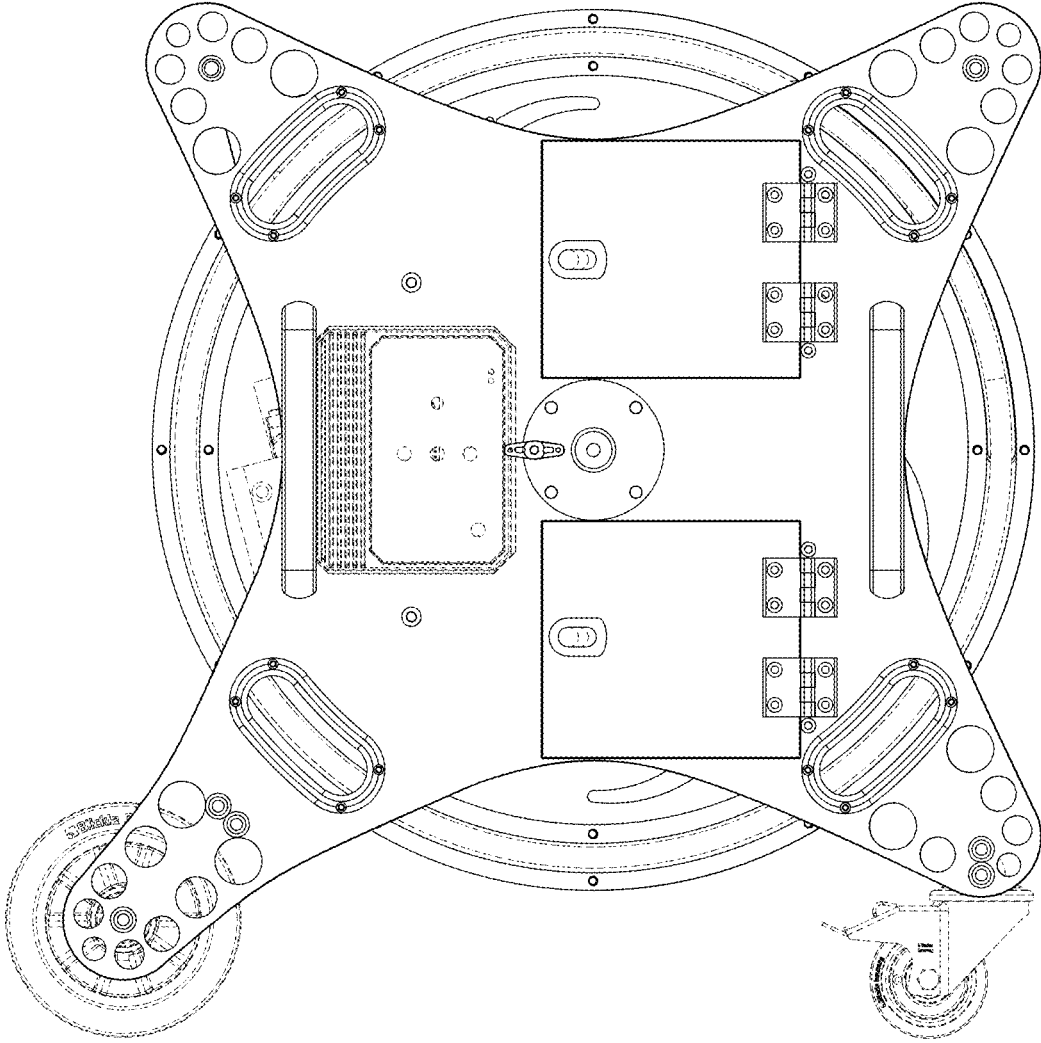


FIG.4

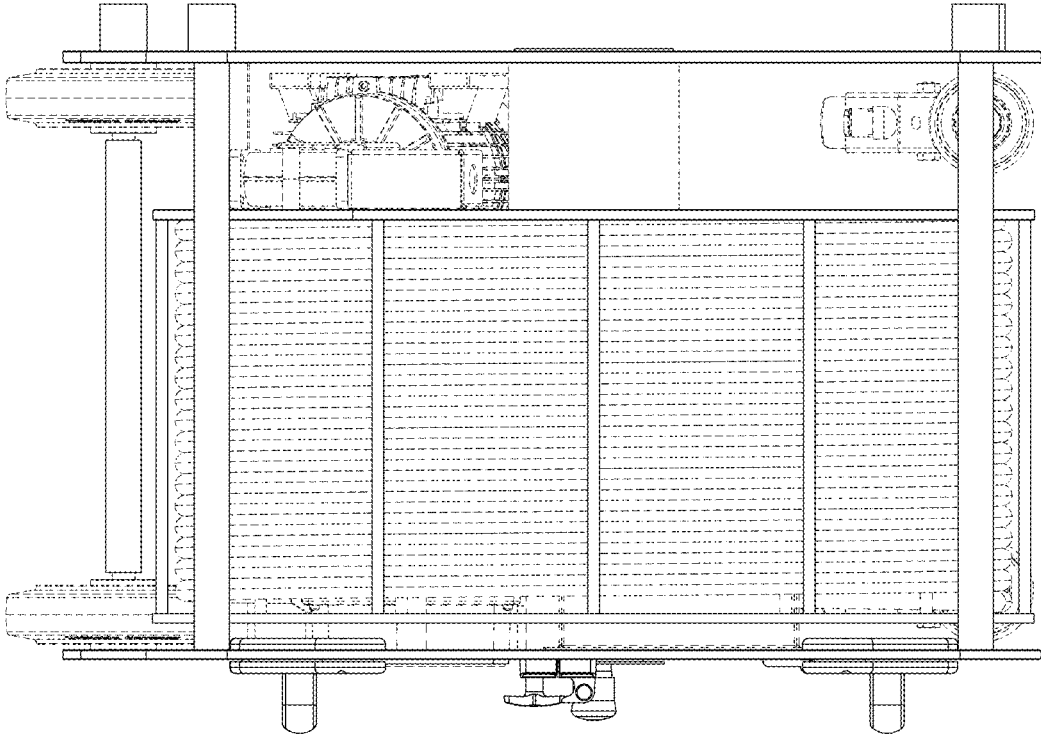


FIG.5

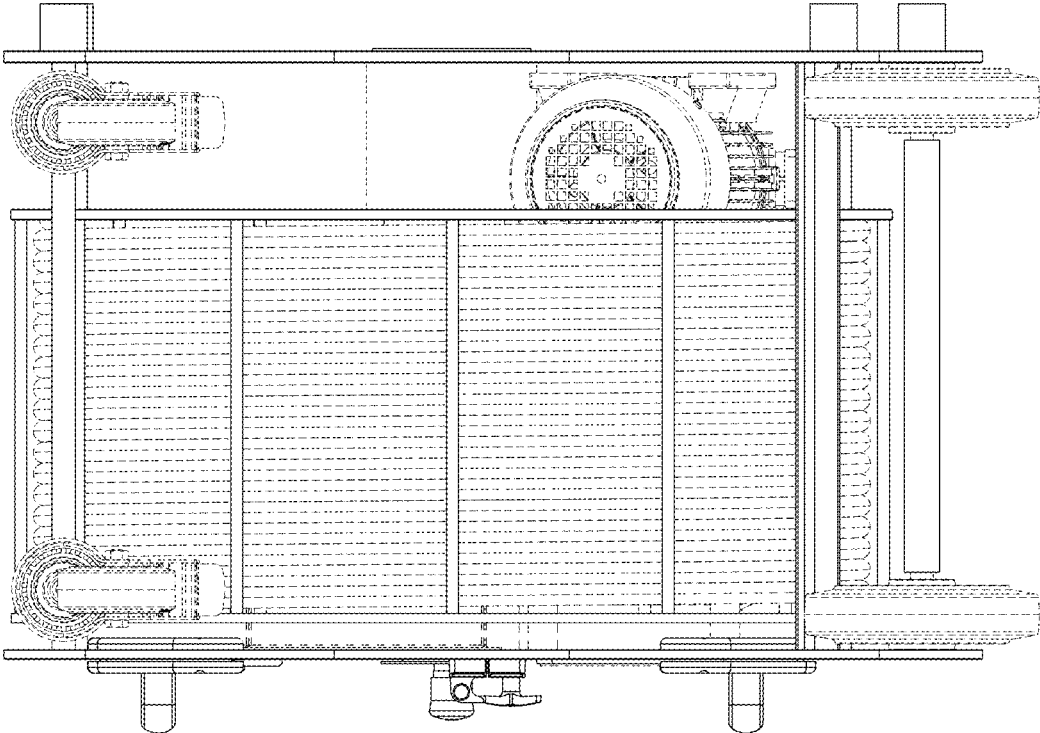


FIG.6

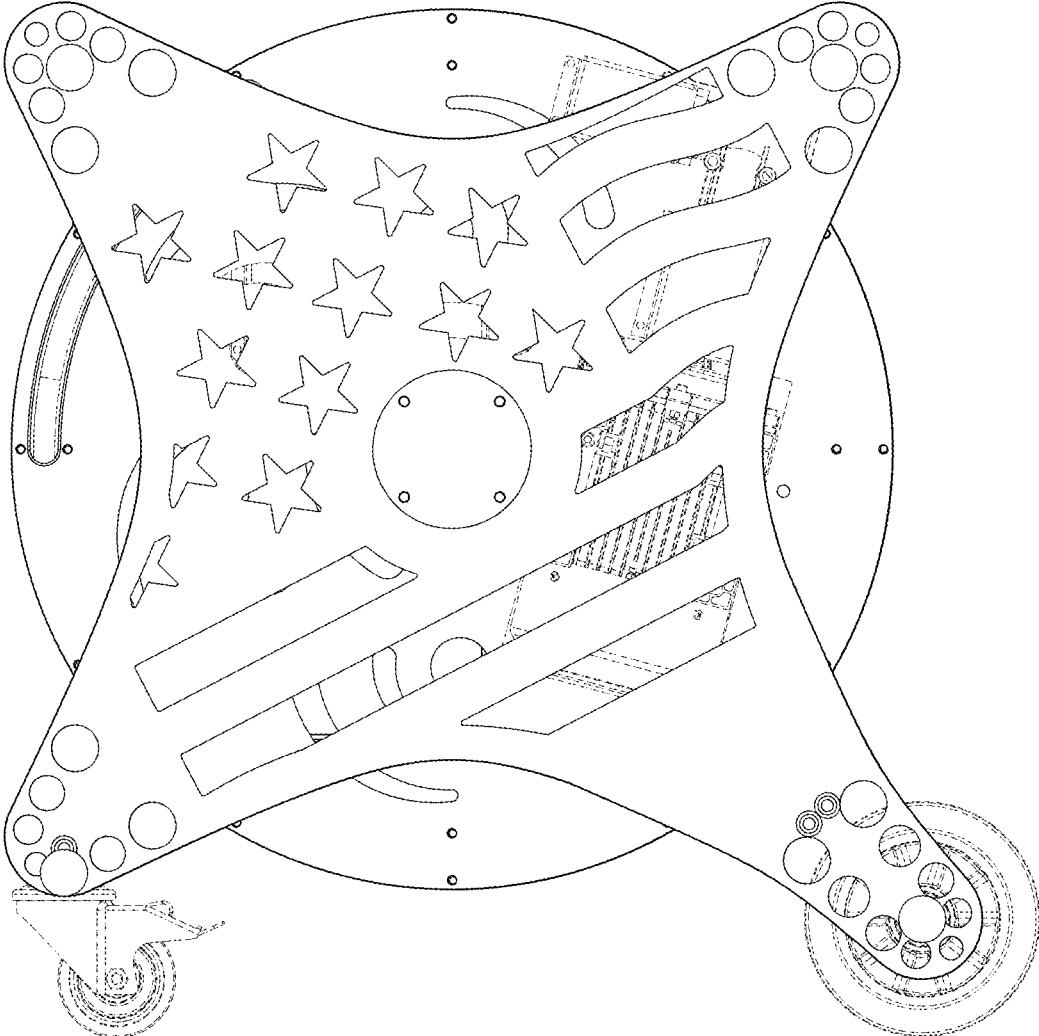


FIG.7

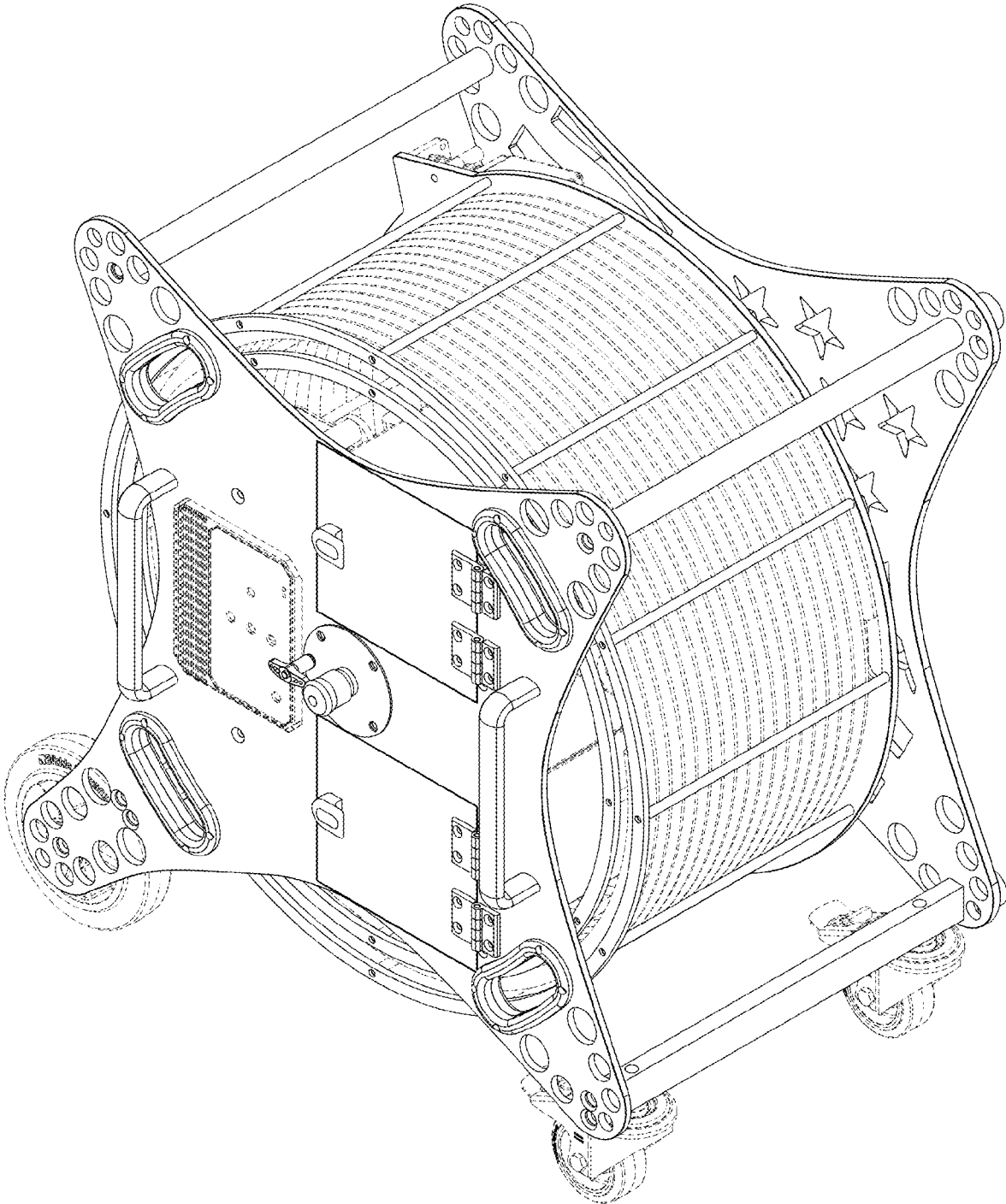


FIG.8