



US00D577411S

(12) **United States Design Patent**
Dehart

(10) **Patent No.:** **US D577,411 S**

(45) **Date of Patent:** **** Sep. 23, 2008**

(54) **GUN GRIP**

2006/0272192 A1* 12/2006 Zimmermann 42/7

(76) Inventor: **Stephen A. Dehart**, 33 Hope Ave.,
Warwick, RI (US) 02889

* cited by examiner

(**) Term: **14 Years**

Primary Examiner—Ian Simmons
Assistant Examiner—Melanie Levy
(74) *Attorney, Agent, or Firm*—Salter & Michaelson

(21) Appl. No.: **29/292,503**

(57) **CLAIM**

(22) Filed: **Oct. 12, 2007**

The ornamental design for a gun grip, as shown and described.

(51) **LOC (8) Cl.** **22-01**

(52) **U.S. Cl.** **D22/108**

(58) **Field of Classification Search** D22/103,
D22/104, 105, 108; 89/195; 42/71.02, 7,
42/59, 104, 85

See application file for complete search history.

DESCRIPTION

(56) **References Cited**

U.S. PATENT DOCUMENTS

- D257,687 S * 12/1980 Bechtel D22/108
- D269,895 S * 7/1983 Bianchi et al. D22/104
- D280,006 S * 8/1985 Dheur D22/108
- D293,357 S * 12/1987 Ruger et al. D22/108
- D300,057 S * 2/1989 Ruger et al. D22/108
- D335,520 S * 5/1993 Capone D22/108
- D347,256 S * 5/1994 Strayer et al. D22/108

FIG. 1 is a front elevational view of a gun grip showing my new design;

FIG. 2 is an enlarged elevational view of the ornamented gun grip;

FIG. 3 is an enlarged rear elevational view thereof;

FIG. 4 is a left edge view thereof;

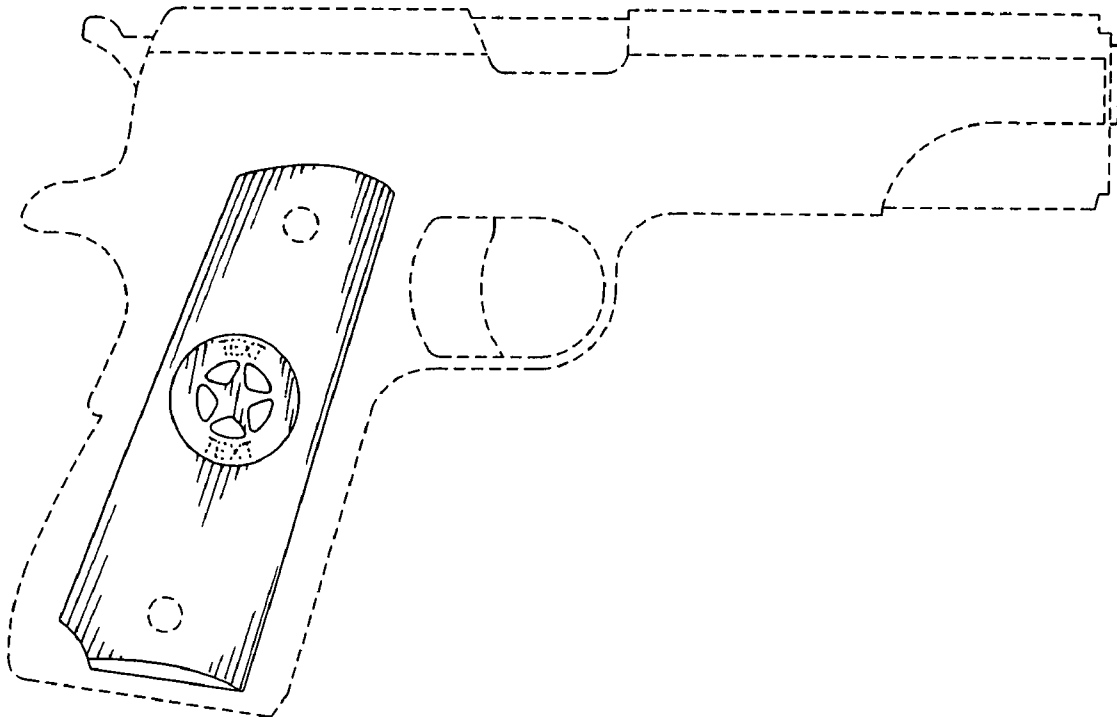
FIG. 5 is a right edge view thereof;

FIG. 6 is a top plan view thereof; and,

FIG. 7 is a bottom plan view thereof.

The portions shown in broken lines in FIGS. 1, 2 and 3 are for information only, and form no part of the claimed design.

1 Claim, 4 Drawing Sheets



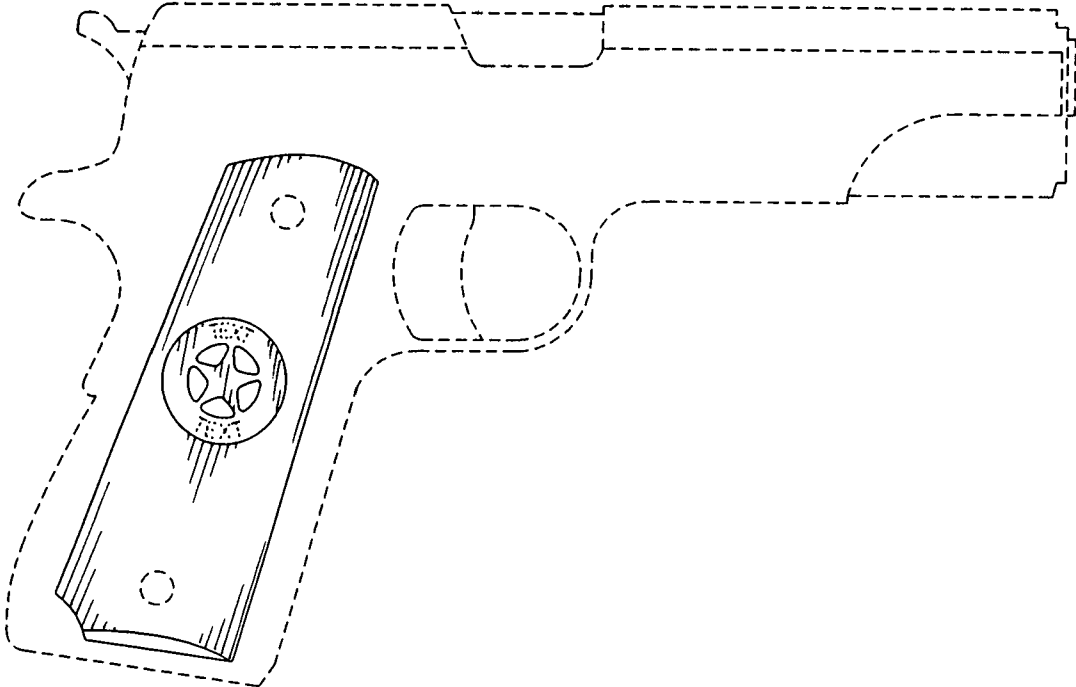


FIG. 1

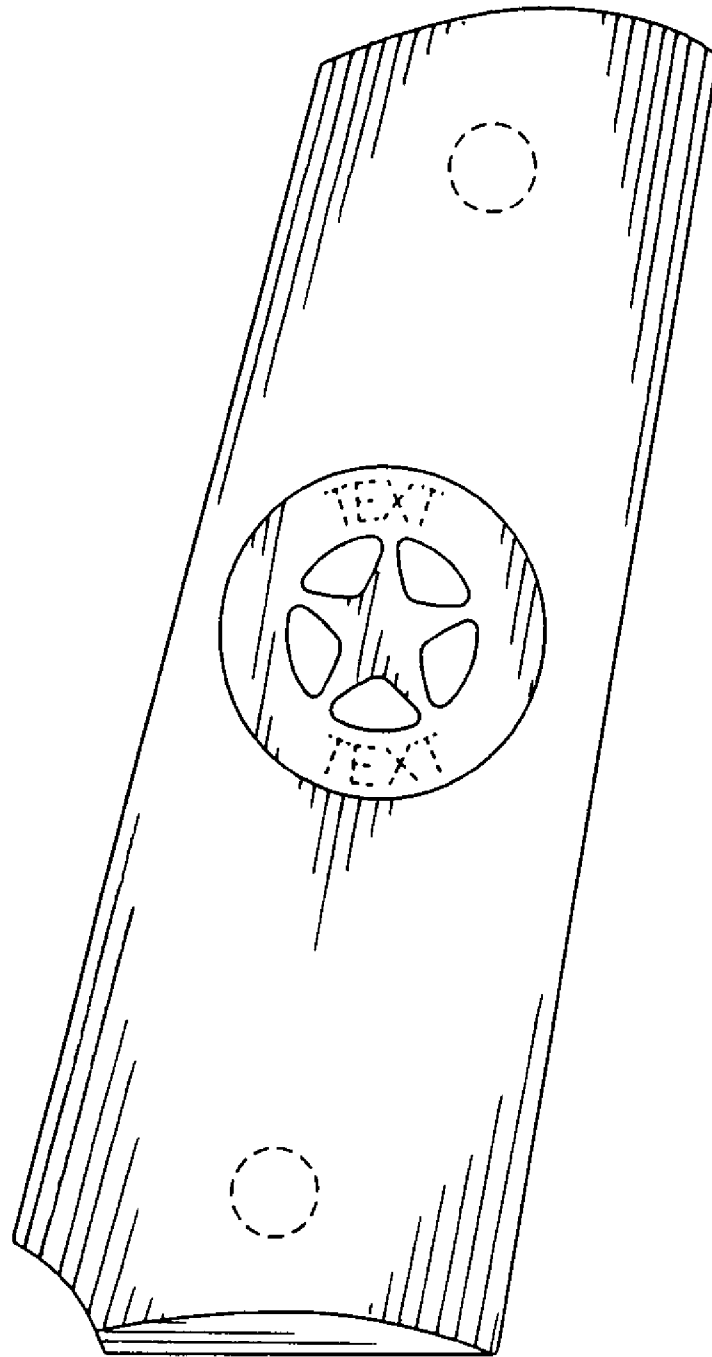


FIG. 2

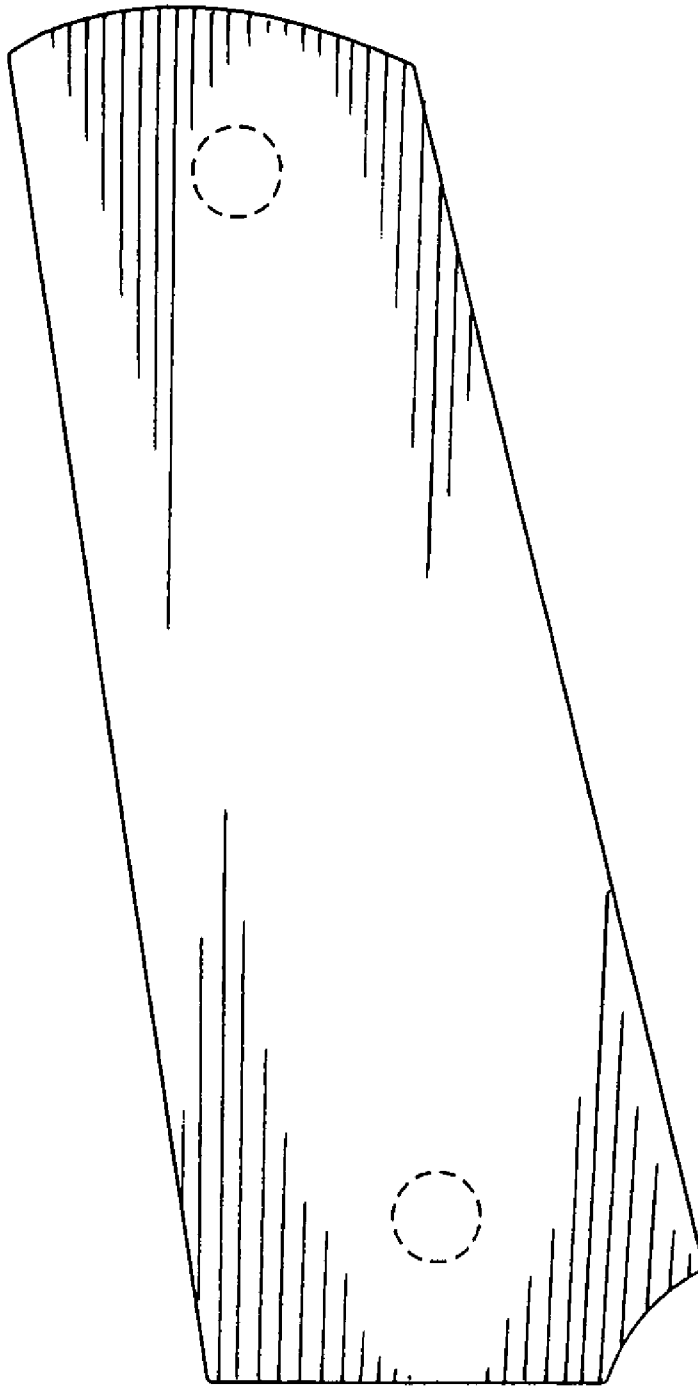


FIG. 3



FIG. 4

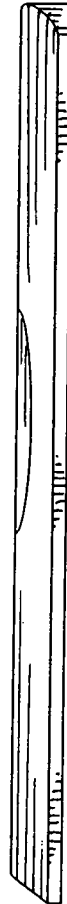


FIG. 5



FIG. 6



FIG. 7