

COMPLETE SPECIFICATION

Reifenhäuser GmbH & Co. KG Maschinenfabrik

TOTAL SHEETS: 05

CURRENT SHEET: 01

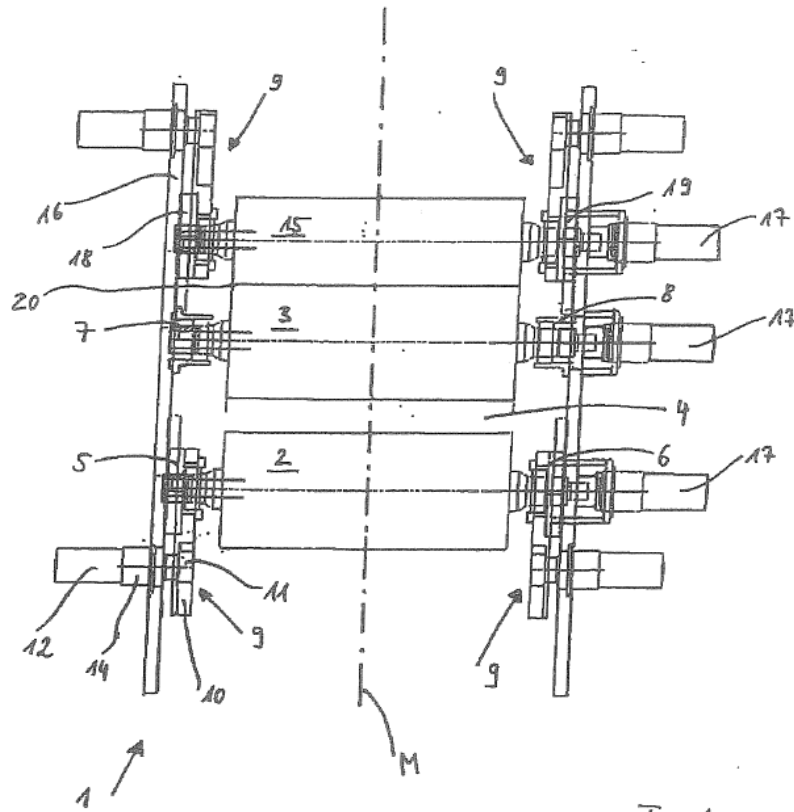


Fig. 1

Dr. Rajeshkumar H. Acharya  
Advocate and Patent Agent  
For and on behalf of Applicant

**COMPLETE SPECIFICATION**

**Reifenhäuser GmbH & Co. KG Maschinenfabrik**

**TOTAL SHEETS: 05**

**CURRENT SHEET: 02**

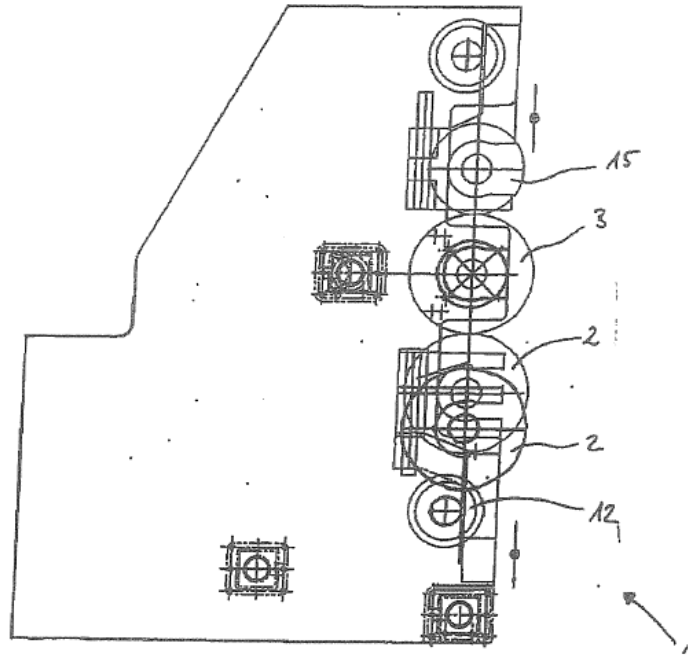


Fig. 2

**Dr. Rajeshkumar H. Acharya**  
**Advocate and Patent Agent**  
**For and on behalf of Applicant**

COMPLETE SPECIFICATION

Reifenhäuser GmbH & Co. KG Maschinenfabrik

TOTAL SHEETS: 05

CURRENT SHEET: 03

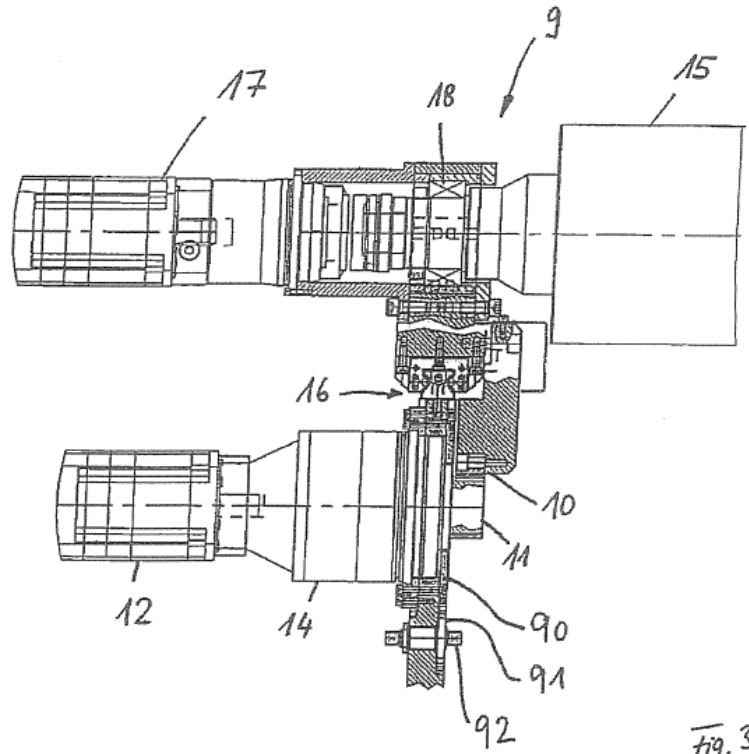


Fig. 3

Dr. Rajeshkumar H. Acharya  
Advocate and Patent Agent  
For and on behalf of Applicant

COMPLETE SPECIFICATION

Reifenhäuser GmbH & Co. KG Maschinenfabrik

TOTAL SHEETS: 05

CURRENT SHEET: 04

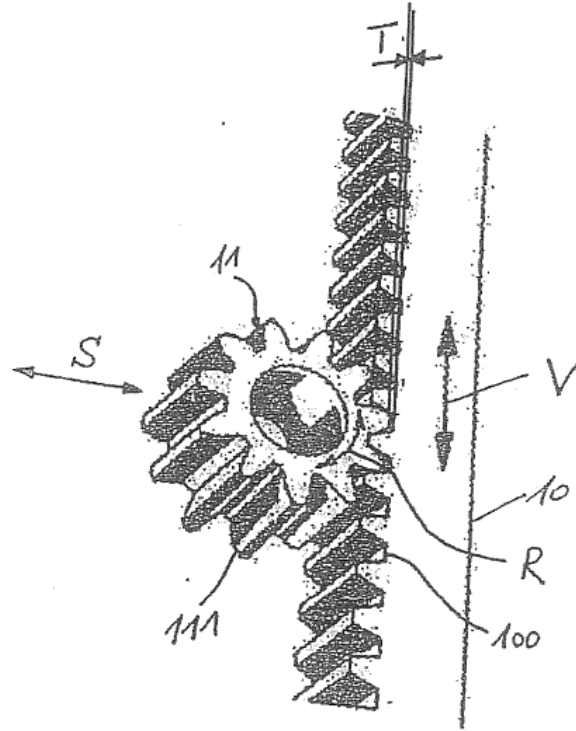


Fig. 4

Dr. Rajeshkumar H. Acharya  
Advocate and Patent Agent  
For and on behalf of Applicant

COMPLETE SPECIFICATION

Reifenhäuser GmbH & Co. KG Maschinenfabrik

TOTAL SHEETS: 05

CURRENT SHEET: 05

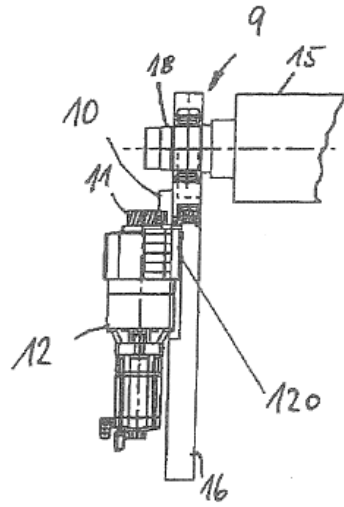


Fig. 5a

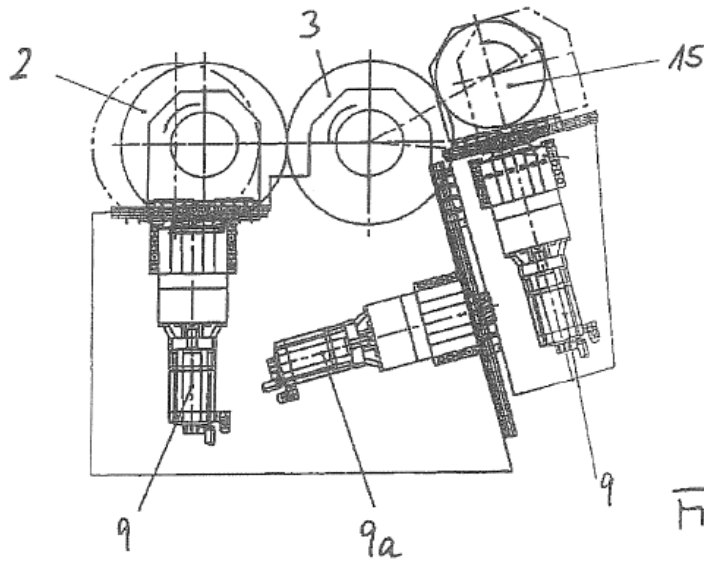


Fig. 5b

Dr. Rajeshkumar H. Acharya  
Advocate and Patent Agent  
For and on behalf of Applicant