



(12) **United States Design Patent**
Morrison

(10) **Patent No.:** **US D806,606 S**
(45) **Date of Patent:** **** Jan. 2, 2018**

(54) **NANO CAMERA DRONE**

FOREIGN PATENT DOCUMENTS

(71) Applicant: **Robert Morrison**, Walworth, NY (US)
(72) Inventor: **Robert Morrison**, Walworth, NY (US)
(73) Assignee: **MORRISON INNOVATIONS, LLC**,
Fairport, NY (US)

CN 204289684 U 4/2015
CN 104627361 5/2015
CN 104627361 A 5/2015
(Continued)

(**) Term: **15 Years**

(21) Appl. No.: **29/553,569**

(22) Filed: **Feb. 3, 2016**

(51) **LOC (11) Cl.** **12-01**

(52) **U.S. Cl.**
USPC **D12/16.1**

(58) **Field of Classification Search**
USPC D12/16.1, 319–345; D21/436, 441–444,
D21/446–453
CPC B64C 1/062; B64C 39/024; B64C 27/08;
B64C 29/00; B64C 39/00; B64C 23/00
See application file for complete search history.

OTHER PUBLICATIONS

ZV RC WIFI FPV Nano Drone With Camera Super Mini Quadcopter by Camera Drones Canada. dated Dec. 30, 2016. found online [Jan. 3, 2017] <http://www.cameradronescanada.com/product/zv-rc-wifi-fpv-nano-drone-with-camera-super-mini-quadcopter-with-camera-control-by-iphone-smartphone-gold/>.*
(Continued)

Primary Examiner — Robert M Spear
Assistant Examiner — Marissa J Cash
(74) *Attorney, Agent, or Firm* — Heslin Rothenberg Farley & Mesiti P.C.

(56) **References Cited**

U.S. PATENT DOCUMENTS

D691,514 S 10/2013 Wang et al.
D710,452 S * 8/2014 Barajas D12/16.1
D710,453 S * 8/2014 Barajas D12/16.1
D710,454 S * 8/2014 Barajas D12/16.1
9,233,754 B1 * 1/2016 Wang B64C 39/024
D759,764 S * 6/2016 Lai D12/16.1
D763,134 S * 8/2016 Wang D12/16.1
D768,789 S * 10/2016 Fargeau D12/16.1
2012/0056041 A1 * 3/2012 Rhee B64C 25/32
244/4 R
2015/0129711 A1 * 5/2015 Caubel B64C 27/08
244/17.23
2015/0321755 A1 * 11/2015 Martin B64C 27/50
244/17.23
2015/0321758 A1 * 11/2015 Sarna, II B64C 39/024
244/63
2015/0336670 A1 * 11/2015 Zhang B64C 1/00
244/119

(Continued)

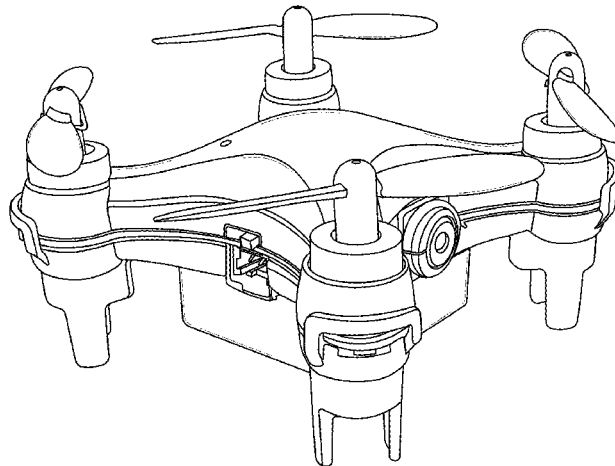
(57) **CLAIM**

The ornamental design for a nano camera drone, as shown and described.

DESCRIPTION

FIG. 1 is a left front perspective view for a nano camera drone showing my new design;
FIG. 2 is a right front perspective view thereof;
FIG. 3 is a front elevational view thereof;
FIG. 4 is a rear elevational view thereof;
FIG. 5 is a right-side elevational view thereof;
FIG. 6 is a left-side elevational view thereof;
FIG. 7 is a top plan view thereof; and,
FIG. 8 is a bottom plan view thereof.
The broken lines shown in the figures represent boundaries and form no part of the claimed design.

1 Claim, 8 Drawing Sheets



(56)

References Cited

U.S. PATENT DOCUMENTS

2016/0001879 A1* 1/2016 Johannesson B64C 27/50
416/142

FOREIGN PATENT DOCUMENTS

CN 204323703 U 5/2015
KR 101530646 B1 6/2015

OTHER PUBLICATIONS

Nano Drone by Morrison Innovations. dated 2016. found online [Dec. 30, 2016] <http://www.morrisoninnovations.com/product/nano-drone-worlds-smallest-quadcopter/>.*

Metakoo Spirit Mini Camera Quadcopter Drone by World's Best Camera Drones. dated Sep. 8, 2016. found online [Jan. 3, 2017] <http://www.videocameradrones.com/?p=37>.*

Skeye Nano Drone with Camera by TRNDlabs. dated 20106. found online Jan. 3, 2017] <https://www.trndlabs.com/product/skeye-nano-drone-with-camera/>.*

Aerix Turbo-X Drone by Morrison Innovations. dated 2016. found online [Jan. 3, 2017] <http://www.morrisoninnovations.com/product/aerix-turbo-x-drone/>.*

FQ777 954 World's First FPV Nano Drone Flight Test Review—YouTube. dated Dec. 31, 2015. found online [Jan. 3, 2017] <https://www.youtube.com/watch?v=SlqGXD17rg>.*

<http://g01.s.alicdn.com/kf/HTB1ABKvKVXXXXXq6xXFXXXf/200388337/>

[HTB1ABKvKVXXXXXq6xXFXXXf.jpg](http://g01.s.alicdn.com/kf/HTB1ABKvKVXXXXXq6xXFXXXf.jpg).

<http://g01.s.alicdn.com/kf/HTB1InWqLpXXXXcSXXXXq6xXFXXXg/2016-FQ777-954-RTF-Drone-Dron-Quadcopter-The-Eyes-RC-Quadcopter-Nano-WIFI-Drone-with-Camera.jpg>.

http://cdn1.tmart.hk/prodimgs_v2/1/1401/1600/14011600/RC101w-24GHz-Mini-Nano-RC-Drone-Quadcopter-with-03MP-Camera-WiFi-FPV-Speed-Control-360-Degree-Flips-Mode-2-Black_320x320.jpg?1450918761.

<https://droneflyers.files.wordpress.com/2014/12/cheerson-cx10a-headless-mode-remote-control-quadcopter.png>.

<http://g04.s.alicdn.com/kf/HTB1tuz4KXXXXXbzXpXXq6xXFXXXf/Nano-Drone-M9912-RC-Quadcopter-VS-Cheerson-CX-10-RC-Quadcopter-Mini-Drone-Remote-Control-Helicopter.jpg>.

US Trademark Registration No. 86546514; Mark—Axis Drones.
US Trademark Serial No. 87150849; Word Mark—Aerix Drones.
US Trademark Serial No. 87150152; Word Mark—Vidius.
US Trademark Serial No. 86854689; Word Mark—Aerius.
US Trademark Serial No. 86586306; Word Mark—World's Smallest Quadcopter.

“Aerius”, by Aerix, Found Online [Nov. 15, 2016] <http://ecx.images-amazon.com/images/I/51cXiEudWUL.jpg>.

“Nano Drone for Beginners”, by Aerix, Found Online [Nov. 15, 2016] https://cdn.shopify.com/s/files/1/0792/1025/products/ORANGE_NANO.jpg?v=1475517904.

“Turbo-X Drone”, by Aerix, Found Online [Nov. 11, 2016] https://cdn.shopify.com/s/files/1/0792/1025/products/RED_TURBO.jpg?v=1475521790.

“Vidius HD”, by Aerix, Found Online [Nov. 15, 2016] https://cdn.shopify.com/s/files/1/0792/1025/products/VIDIUS_HD.jpg?v=1478216494.

“Vidius”, by Aerix, Found Online [Nov. 15, 2016] <https://cdn.shopify.com/s/files/1/0792/1025/products/drone2.jpg?v=1452612617>.

“Wallet Drone”, by Aerix, Found Online [Nov. 15, 2016] https://cdn.shopify.com/s/files/1/0792/1025/products/Orange_Aerix_Wallet_Drone.jpg?v=1478215768.

“FQ777 954 Micro Drone”, by Yikai, Found Online [Nov. 15, 2016] <https://www.solidrop.net/photo-1/fq777-954-rtf-drone-dron-quadcopter-the-eyes-rc-quadcopter-nano-wifi-drone-with-camera-720p-fpv-6axis-gyro-mini-drone-rtf.jpg>.

“X-10 Mini RC Quadcopter Drone”, by Kiitoys, Found Online [Nov. 15, 2016] <http://cdn.toptenreviews.com/rev/prod/ce/67277-kiitoys-mini-drone-box.jpg>.

“FY804 World's Smallest Drone”, by Usmile, Found Online [Nov. 15, 2016] <http://onlinecameradeal.com/wp-content/uploads/2016/05/75cd233095c9.jpg>.

“CX-10A 2.4GHz 4CH RC Quadcopter Nano Drone”, by Cheerson, Found Online [Nov. 15, 2016] <https://droneflyers.files.wordpress.com/2014/12/cheerson-cx10a-headless-mode-remote-control-quadcopter.png>.

“H7 Toy Mini Nano RC Quadcopter Aircraft Drone”, by Gintrude, Found Online [Nov. 15, 2016] https://images-na.ssl-images-amazon.com/images/I/61S8hHKWLuL_SL1000_.jpg.

“Skeye Nano Drone”, by TRNDlabs, Found Online [Nov. 15, 2016] <https://images-na.ssl-images-amazon.com/images/I/41apTJpcD%2BL.jpg>.

“Jetjet ultra—one touch drone”, by MOTA, Found Online [Nov. 16, 2016] http://shop.mota.com/media/catalog/product/cache/1/image/1200x/040ec09b1e35df139433887a97daa66f/w/h/white_drone_logo3.png.

“Nano X-Copter Drone”, by Silverlit, Found Online [Nov. 16, 2016] http://dronesexplore.com/sites/dronesexplore.com/files/styles/watches_in_block/public/affiliate/414PaUutOhL.jpg?itok=_ysnYuw.

“Neo-Drone Mini RC Drone”, by Protocol, Found Online [Nov. 16, 2016] http://img.bbystatic.com/BestBuy_US/images/products/4248/4248100cv11d.jpg.

“Mini Drone TeenySpeed”, by Teeny Drones, Found Online [Nov. 16, 2016] <https://teenydrones.com/wp-content/uploads/2016/02/TD-007-S-3.jpg?c=fbd3759be337>.

* cited by examiner

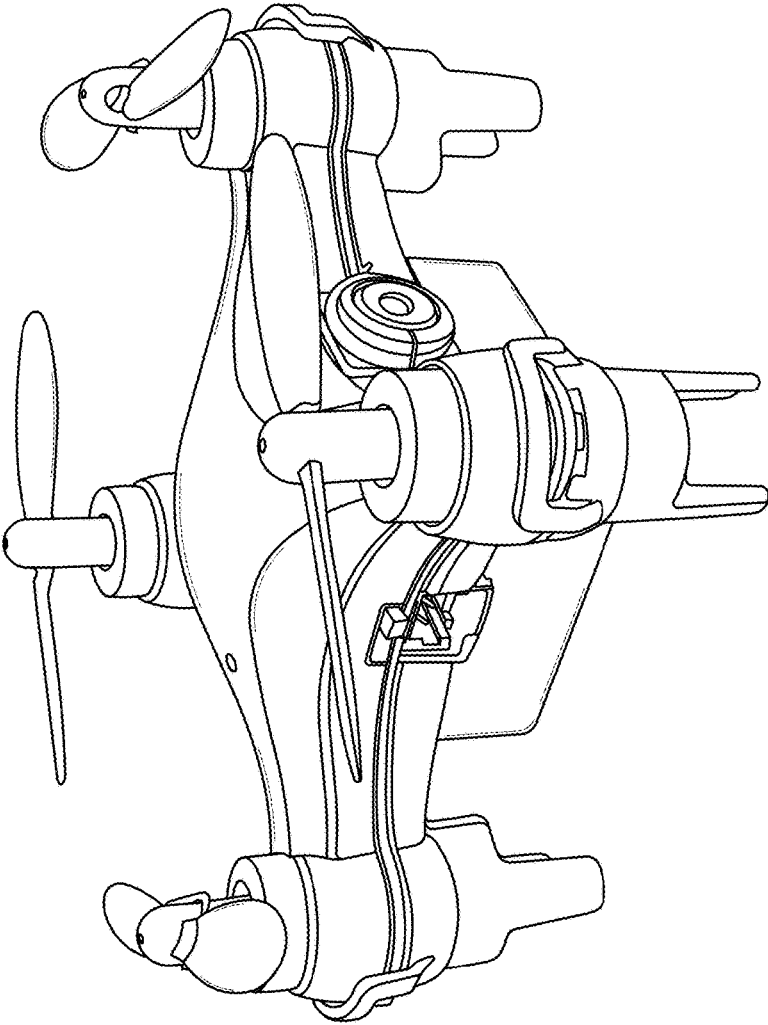


FIG. 1

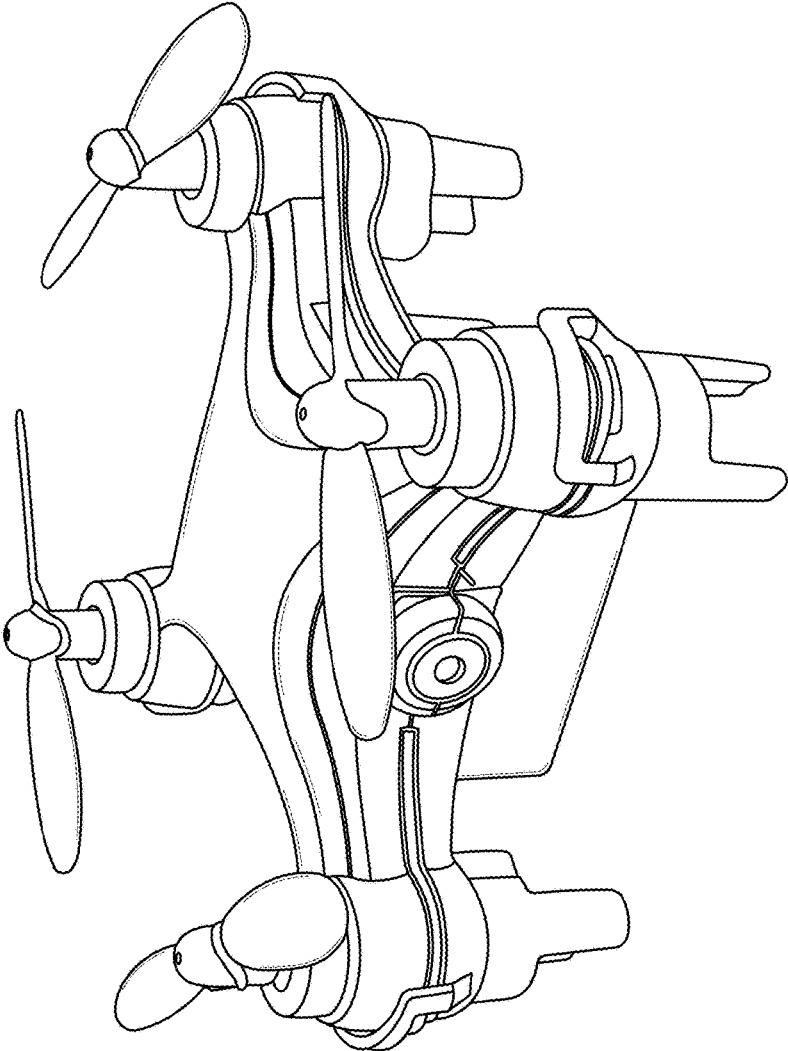


FIG. 2

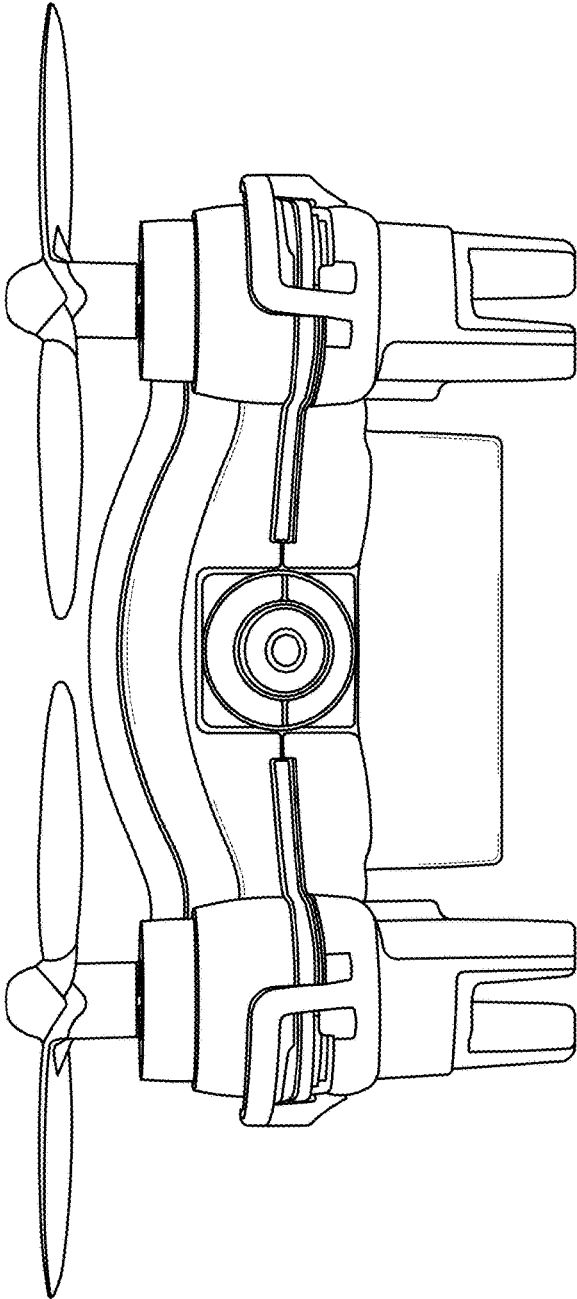


FIG. 3

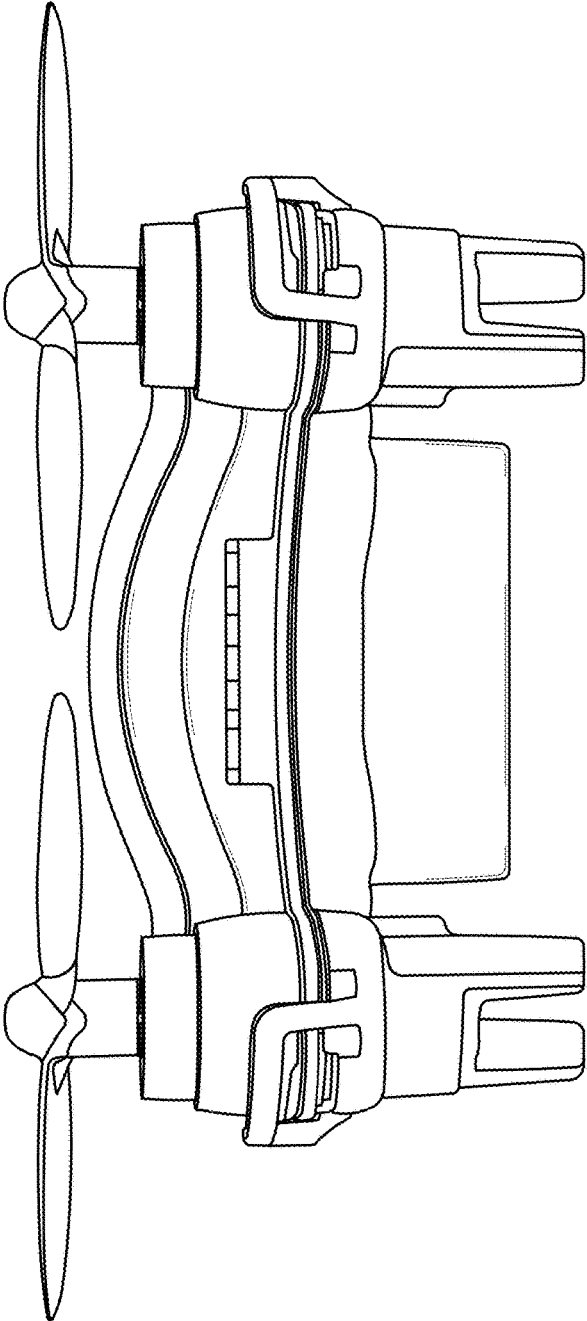


FIG. 4

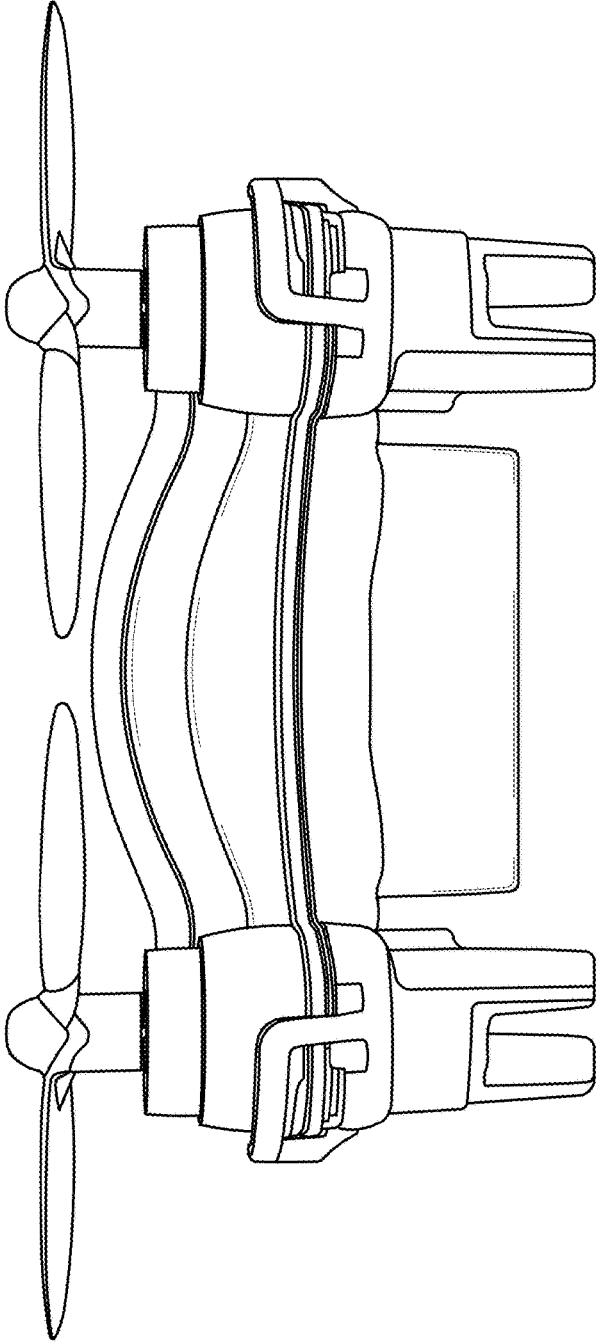


FIG. 5

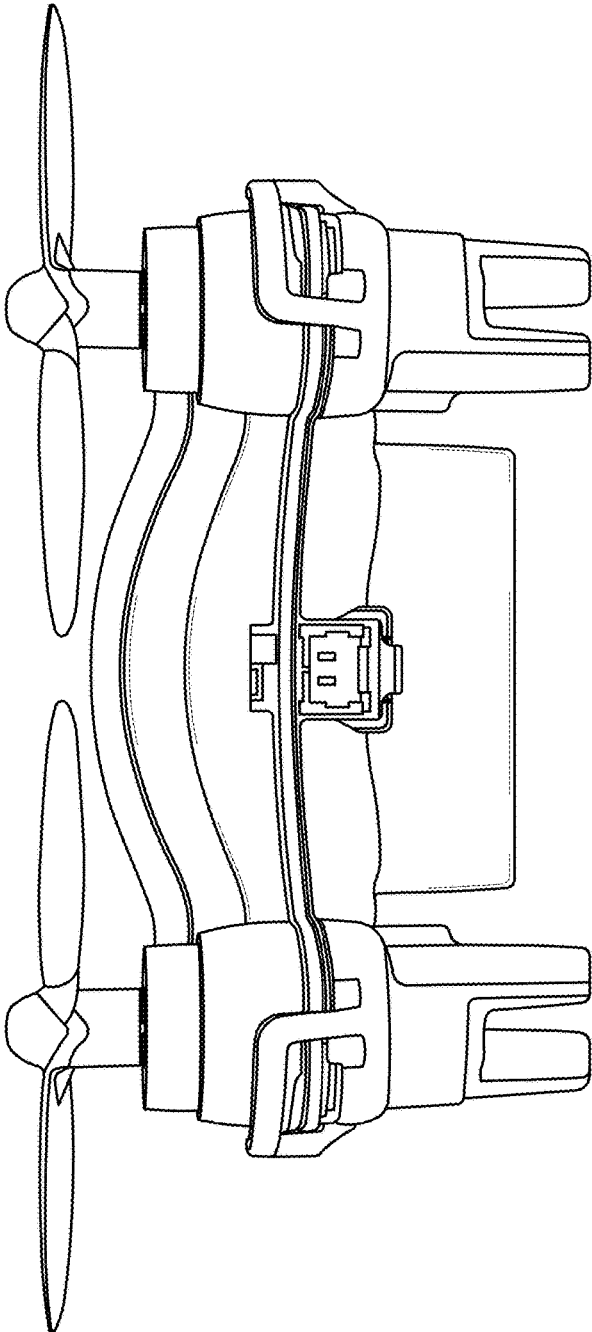


FIG. 6

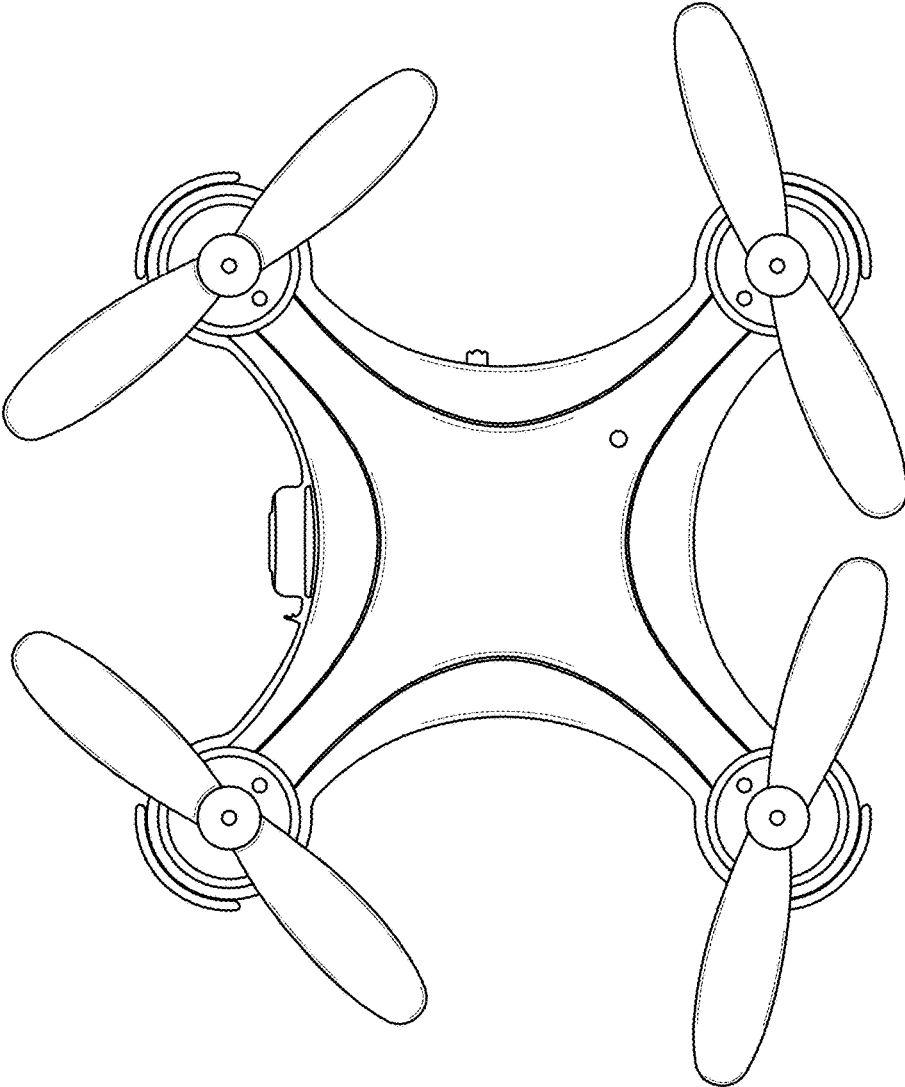


FIG. 7

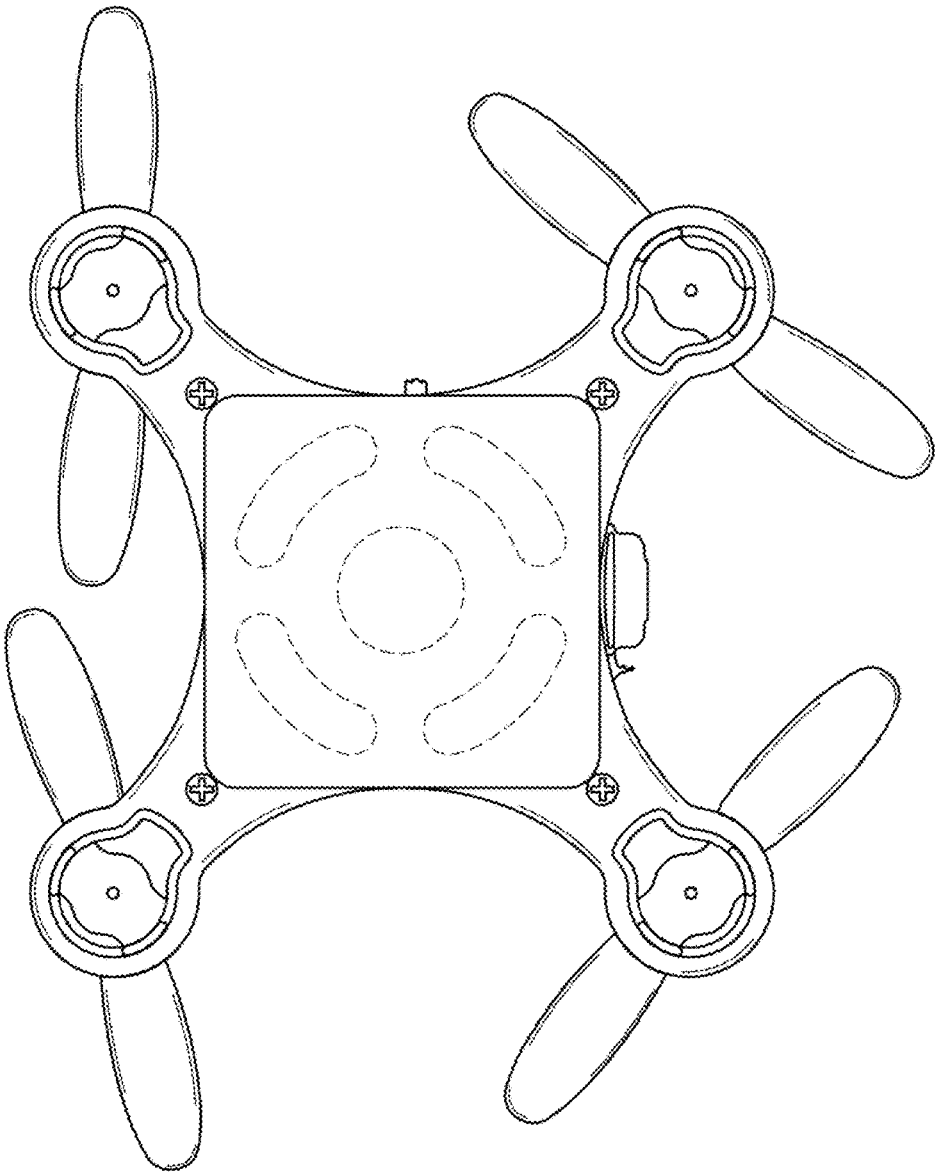


FIG. 8