



US0D1002008S

(12) **United States Design Patent**
Gosik-Wolfe

(10) **Patent No.:** **US D1,002,008 S**

(45) **Date of Patent:** **** Oct. 17, 2023**

(54) **SURGICAL OBJECT EXTRACTION JAWS SET**

(57) **CLAIM**

The ornamental design for a surgical object extraction jaws set, as shown and described.

(71) Applicant: **Shukla Medical**, St. Petersburg, FL (US)

(72) Inventor: **Adam Gosik-Wolfe**, Tampa, FL (US)

(73) Assignee: **Shukla Medical**, St. Petersburg, FL (US)

(**) Term: **15 Years**

(21) Appl. No.: **29/789,967**

(22) Filed: **Oct. 27, 2021**

(51) **LOC (14) Cl.** **24-02**

(52) **U.S. Cl.**
USPC **D24/133**

(58) **Field of Classification Search**
USPC D24/133, 135, 140, 143, 145, 146, 147, 148, 152, 153, 155, 176; D8/4, 23,
(Continued)

(56) **References Cited**

U.S. PATENT DOCUMENTS

D33,079 S * 8/1900 Ward 30/186
D34,483 S * 5/1901 Lundin D8/58
(Continued)

OTHER PUBLICATIONS

M12 Compact Copper Press Jaw, supplyhouse.com, [online], [site visited May 11, 2023], Available from internet, URL: <https://www.supplyhouse.com/Milwaukee-49-16-2453-1-1-4-M12-Compact-Copper-Press-Jaw> (Year: 2023).*

(Continued)

Primary Examiner — Samantha Q Lawrence

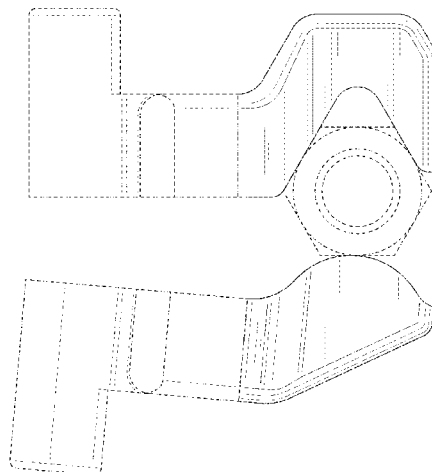
Assistant Examiner — Thanh Luu Wong

(74) *Attorney, Agent, or Firm* — Kim IP Law Group LLC

DESCRIPTION

FIG. 1 is a side view of a surgical object extraction jaws set in accordance with my new design in an operative position; FIG. 2 is a perspective view of the upper one of the surgical object extraction jaws set of FIG. 1 shown removed from the set for ease of illustration; FIG. 3 is a right side view of the surgical object extraction jaw of FIG. 2; FIG. 4 is a left side view of the surgical object extraction jaw of FIG. 2; FIG. 5 is a front view of the surgical object extraction jaw of FIG. 2; FIG. 6 is a rear view of the surgical object extraction jaw of FIG. 2; FIG. 7 is a top view of the surgical object extraction jaw of FIG. 2; FIG. 8 is a bottom view of the surgical object extraction jaw of FIG. 2; FIG. 9 is a perspective view of the lower one of the surgical object extraction jaws set of FIG. 1 shown removed from the set for ease of illustration; FIG. 10 is a right side view of the surgical object extraction jaw of FIG. 9; FIG. 11 is a left side view of the surgical object extraction jaw of FIG. 9; FIG. 12 is a front view of the surgical object extraction jaw of FIG. 9; FIG. 13 is a rear view of the surgical object extraction jaw of FIG. 9; FIG. 14 is a top view of the surgical object extraction jaw of FIG. 9; and, FIG. 15 is a bottom view of the surgical object extraction jaw of FIG. 9. In the drawings, the dashed broken lines shown in FIGS. 1-15 illustrate portions of the surgical object extraction jaws set that form no part of the claimed design.

(Continued)



The dash-dot broken lines shown in FIGS. 1-5, 7-12, 14 and 15 illustrate the bounds of the claim and form no part of the claimed design.

1 Claim, 13 Drawing Sheets

(58) **Field of Classification Search**

USPC D8/72, 79, 80, 81, 105, 107, 51, 52, 54,
D8/55, 56, 57, 58, 88, 89; D7/649;
D12/400
CPC A61B 17/00234; A61B 2017/2923; A61B
2017/2944; A61B 2017/2945; A61B
2017/2932; A61B 2017/2904; A61B
2017/2913; A61B 2017/2915; A61B
1/00154; A61B 17/29; A61B 17/1735;
A61B 17/1782; A61B 17/60; A61B
17/92; A61B 2017/922; A61B 90/00;
B25B 13/48; B25B 13/50; B25B 23/005;
B25B 13/065; B26B 3/00; B26B 1/10;
A61C 3/08

See application file for complete search history.

(56) **References Cited**

U.S. PATENT DOCUMENTS

2,875,659 A * 3/1959 Haberle B25B 13/28
D8/23
3,149,390 A * 9/1964 McCoy H02G 1/02
24/567
4,457,306 A * 7/1984 Borzone A61F 2/4637
81/421
D278,022 S * 3/1985 Ash D7/649

D309,409 S * 7/1990 Kiernan D8/4
D310,157 S * 8/1990 Reilly D8/23
D566,840 S * 4/2008 Golden D24/153
D638,541 S * 5/2011 Claypool D24/133
D642,678 S * 8/2011 Dockstader D24/133
D669,176 S * 10/2012 Frey A61F 2/4611
D24/140
D719,655 S * 12/2014 Lim D24/153
D741,676 S * 10/2015 Li D21/468
D782,351 S * 3/2017 Zahora D10/73
D791,916 S * 7/2017 Rose D23/226
D824,026 S * 7/2018 Eaton D24/128
D887,237 S * 6/2020 Huang D8/52
D928,316 S * 8/2021 Sweitzer D24/133
D928,318 S * 8/2021 Sweitzer D24/133
D933,210 S * 10/2021 Sweitzer D24/133
D933,211 S * 10/2021 Sweitzer D24/133
D933,819 S * 10/2021 Sweitzer D24/133
D937,415 S * 11/2021 Sweitzer D24/133
D939,698 S * 12/2021 Sweitzer D24/133
D950,055 S * 4/2022 Van Wyk D24/148
D963,866 S * 9/2022 Skelton A61F 5/05866
D24/190
D979,055 S * 2/2023 Lee D24/133
D980,977 S * 3/2023 Xia D24/143

OTHER PUBLICATIONS

MPR Universal Femoral Stem Extractor, mprortho.com, [online], [site visited May 11, 2023], Available from internet, URL: <https://mprortho.com/product/mpr-universal-femoral-stem-extractor/> (Year: 2023).*

MPR Compaction Pliers, mprortho.com, [online], [site visited May 11, 2023], Available from internet, URL: <https://mprortho.com/product/mpr-compaction-pliers-5/> (Year: 2023).*

* cited by examiner

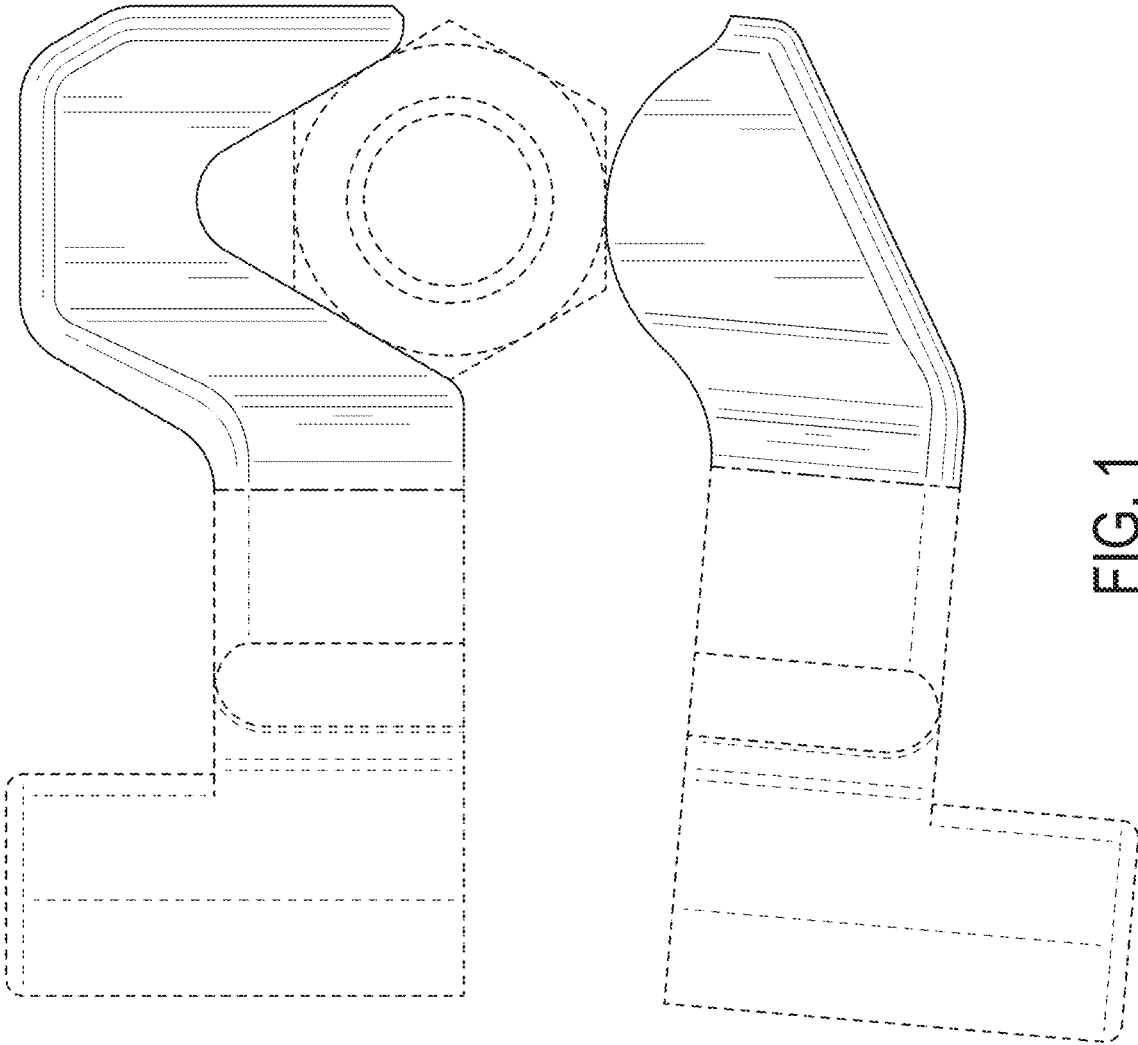


FIG. 1

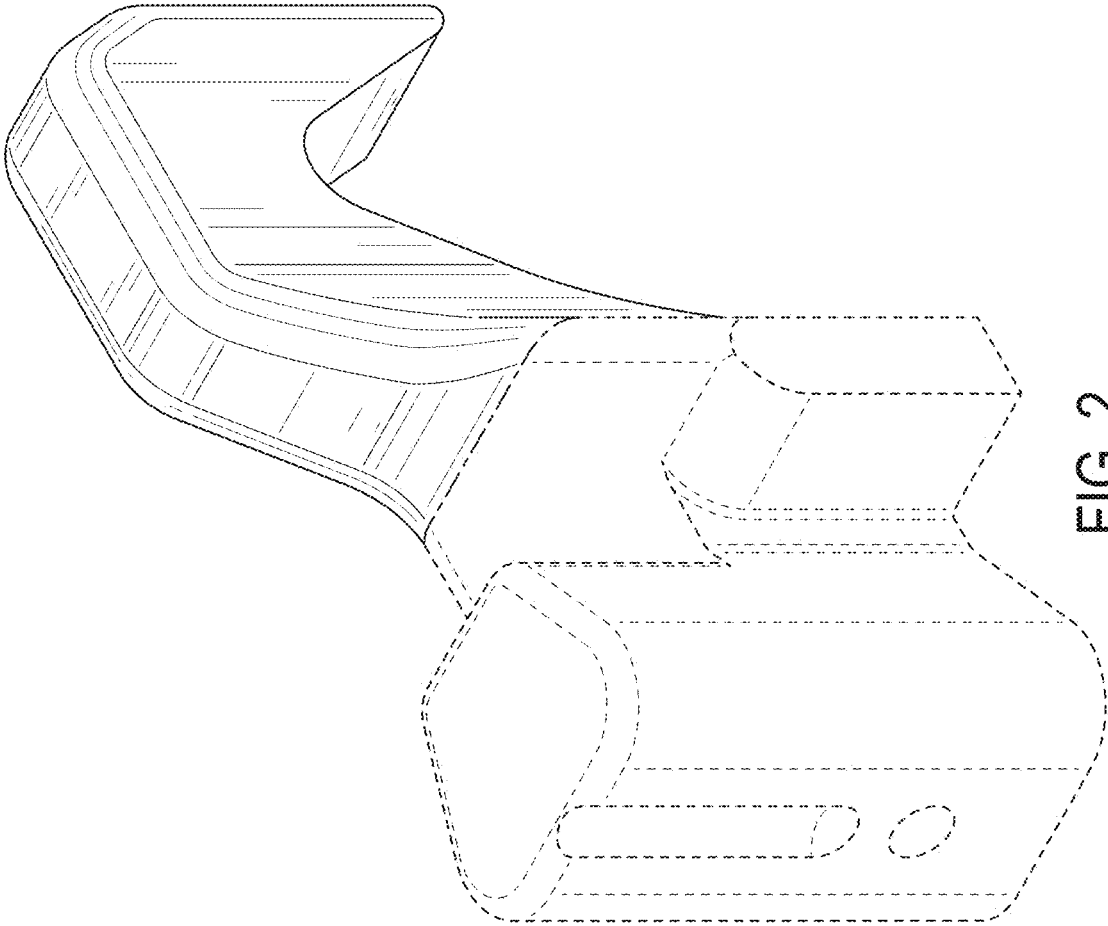


FIG. 2

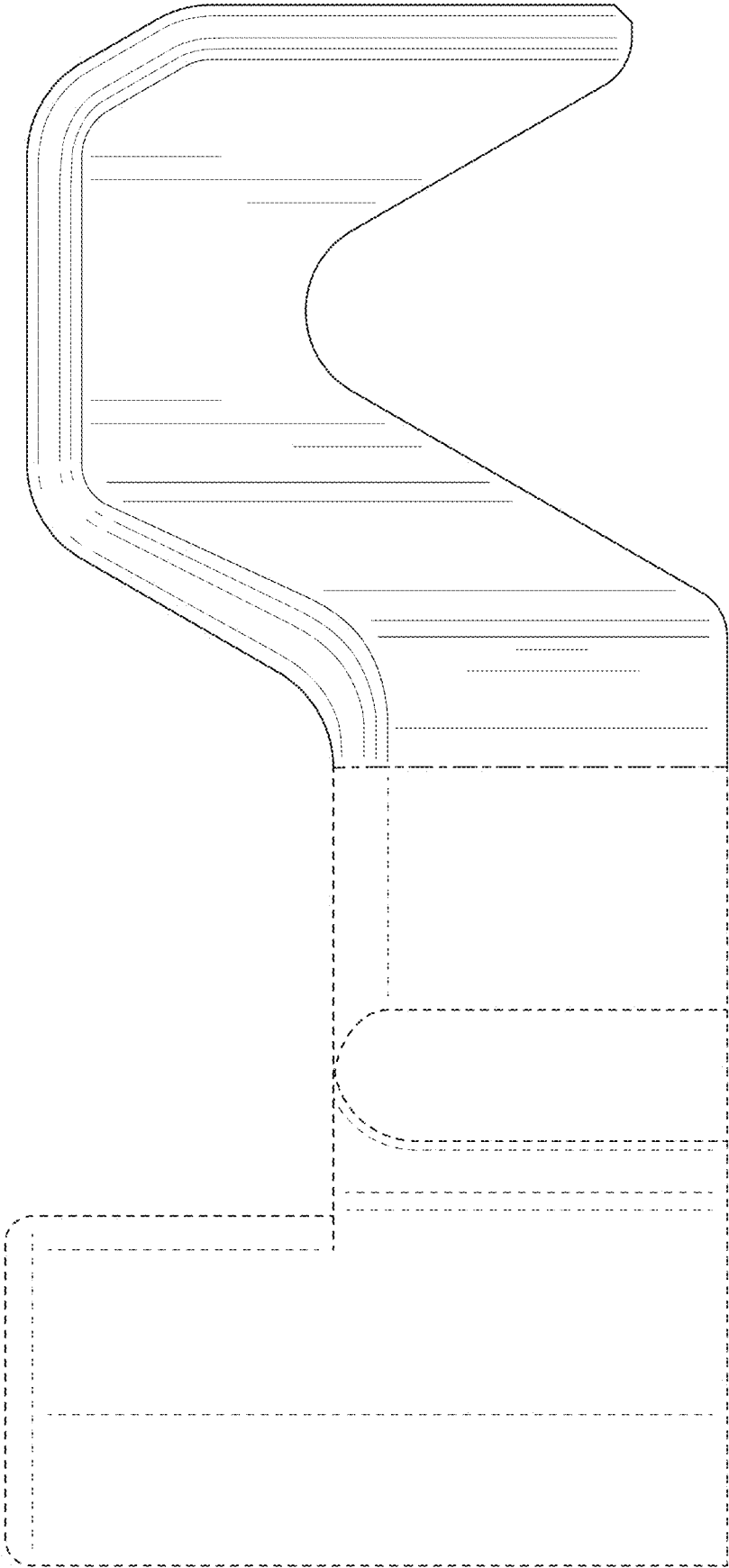


FIG. 3

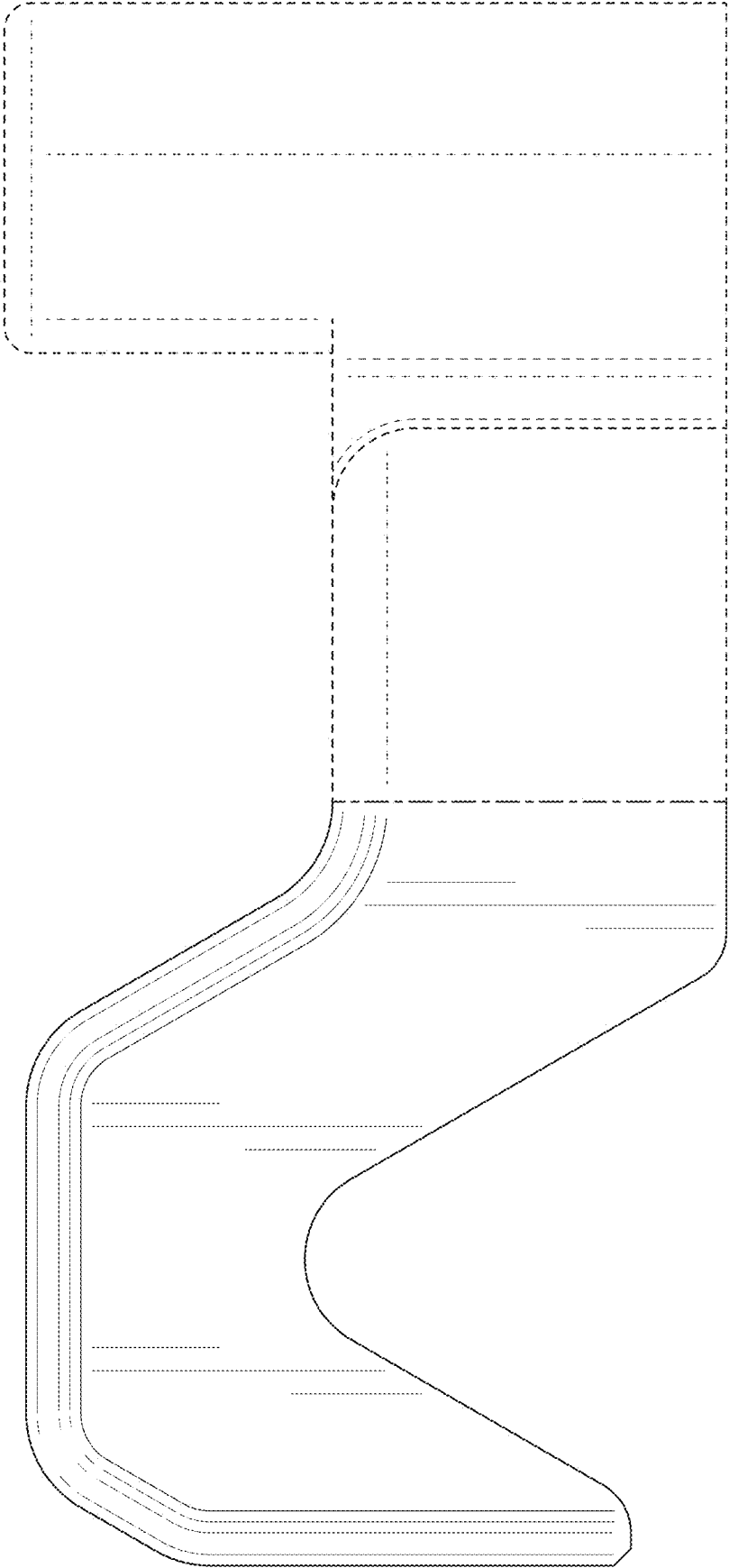


FIG. 4

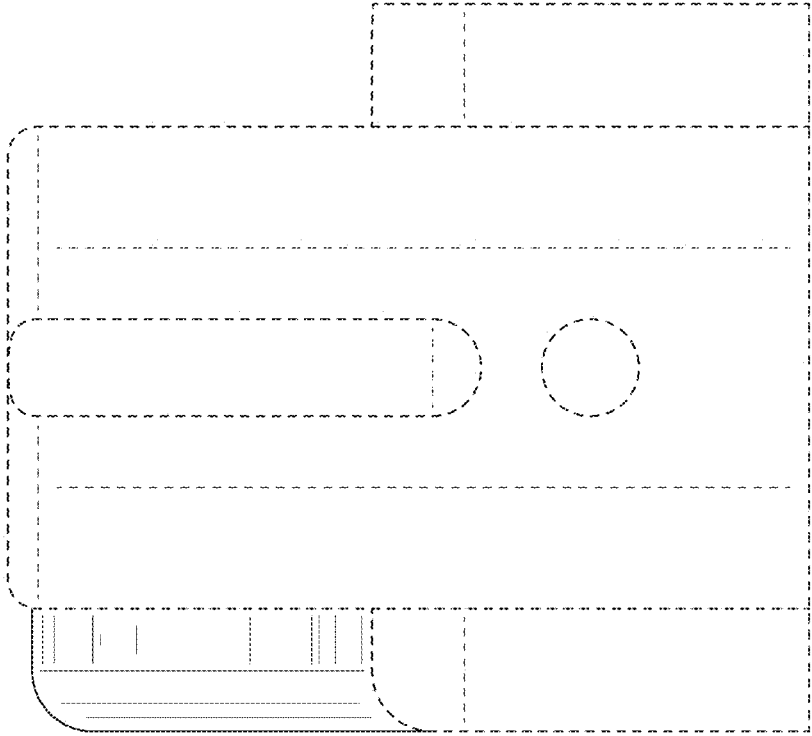


FIG. 6

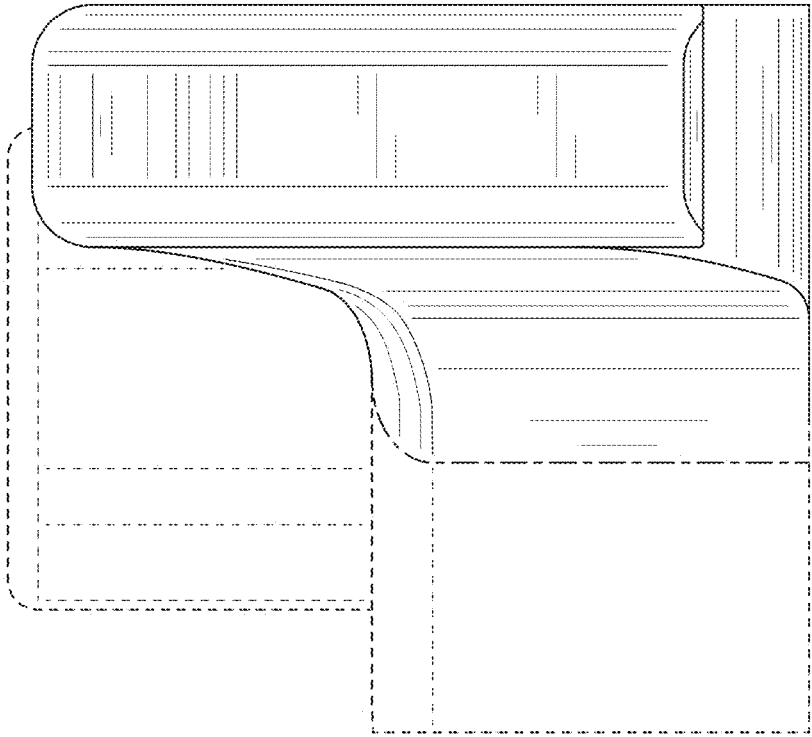


FIG. 5

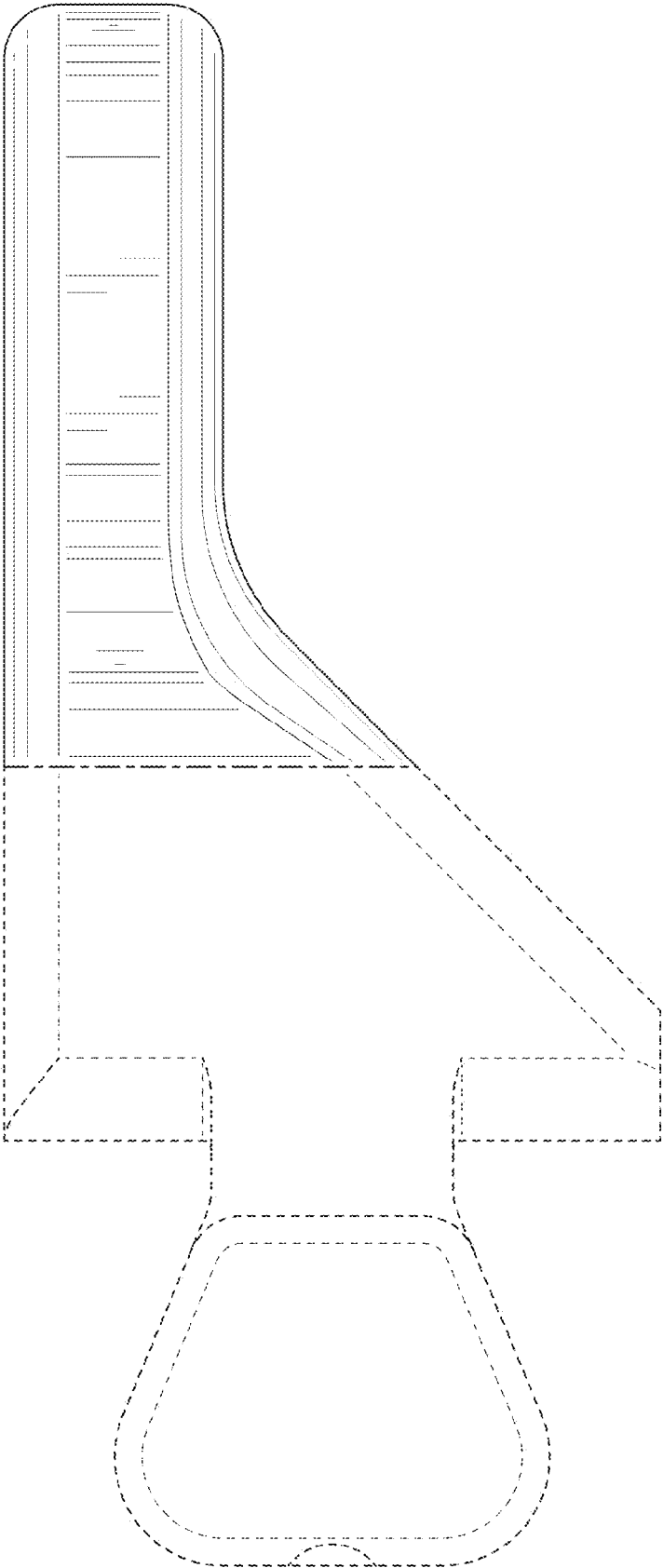


FIG. 7

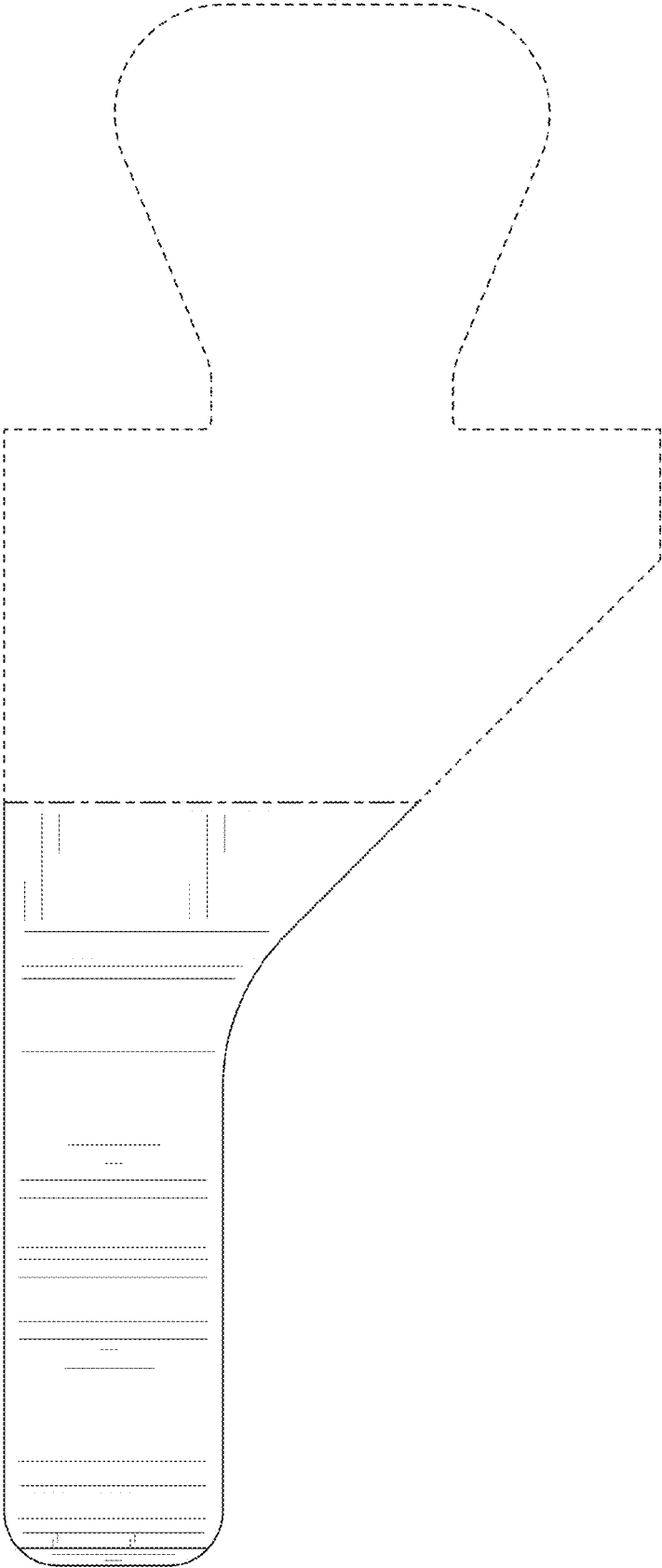


FIG. 8

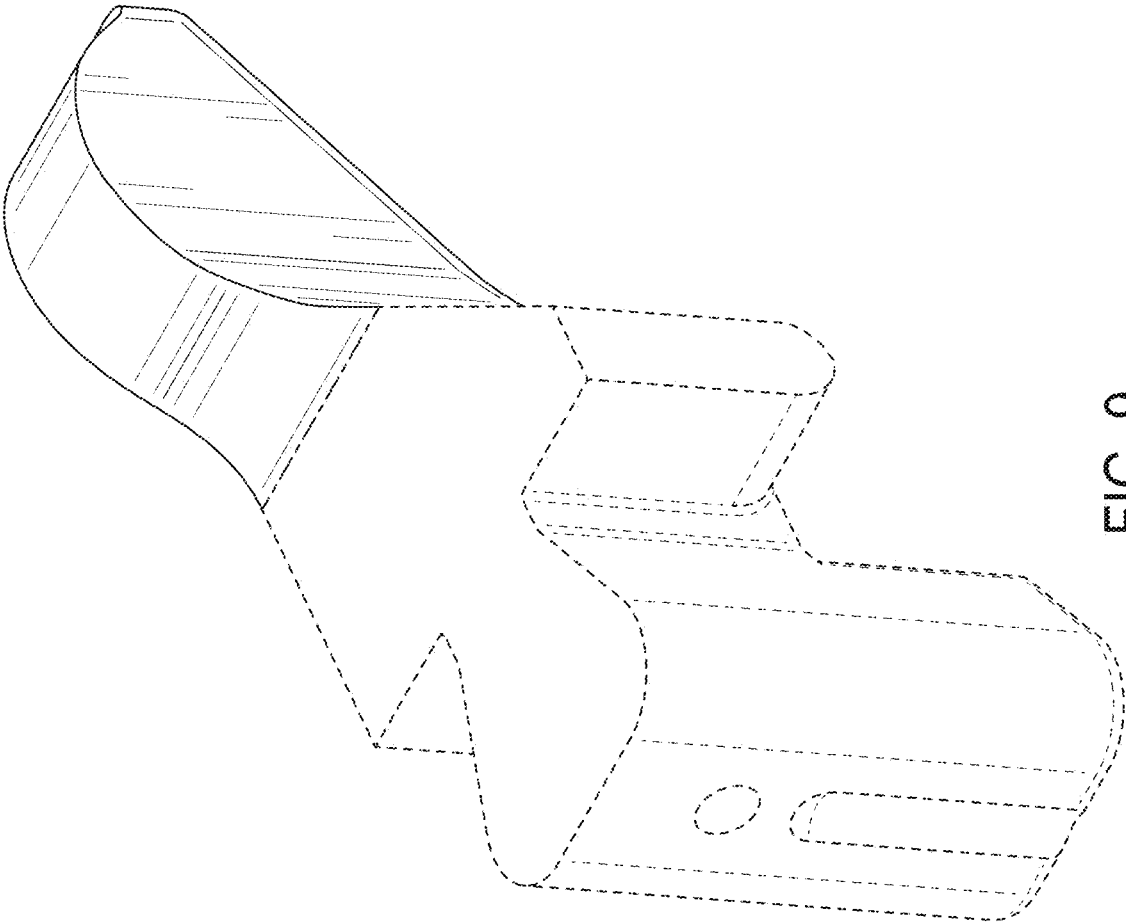


FIG. 9

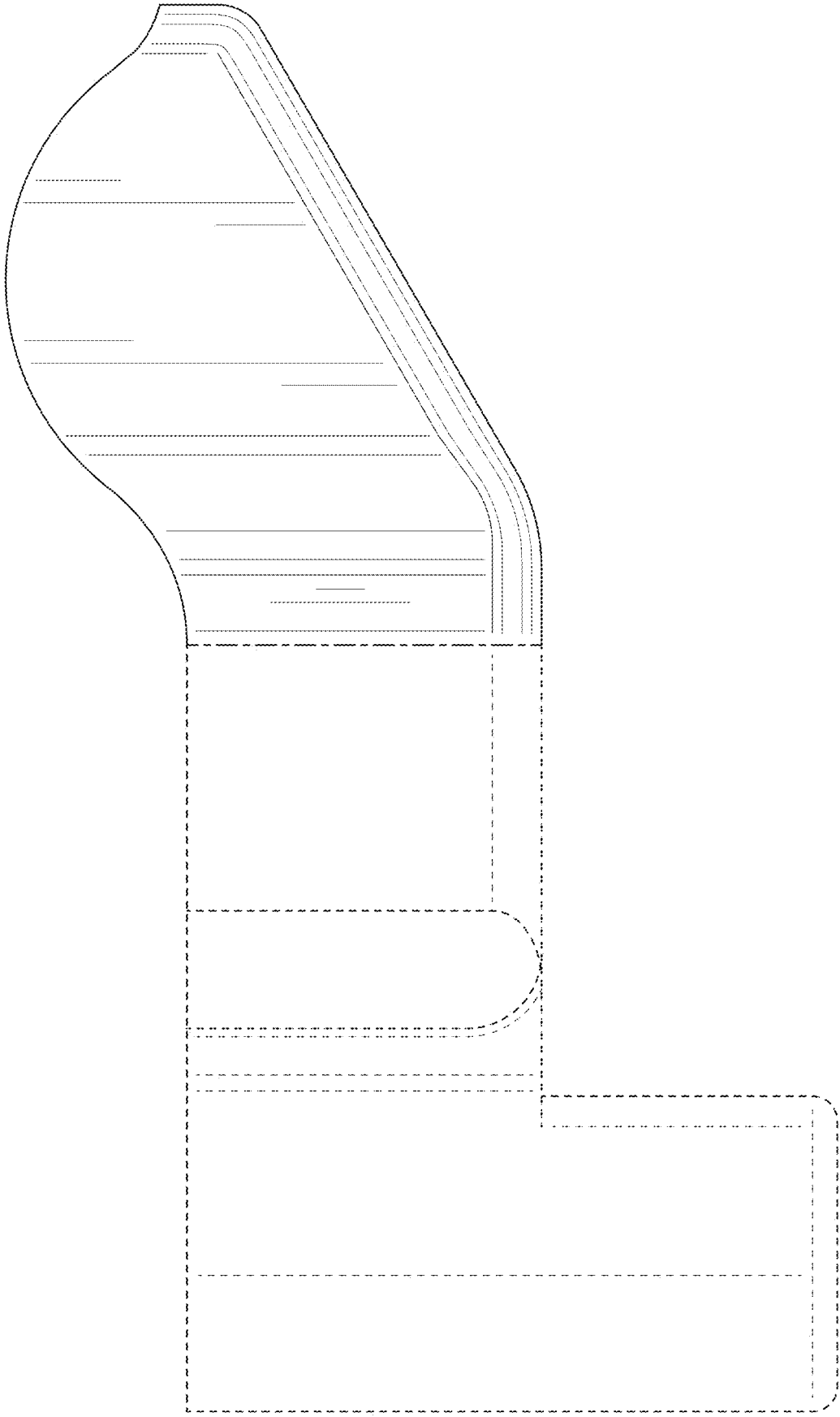


FIG. 10

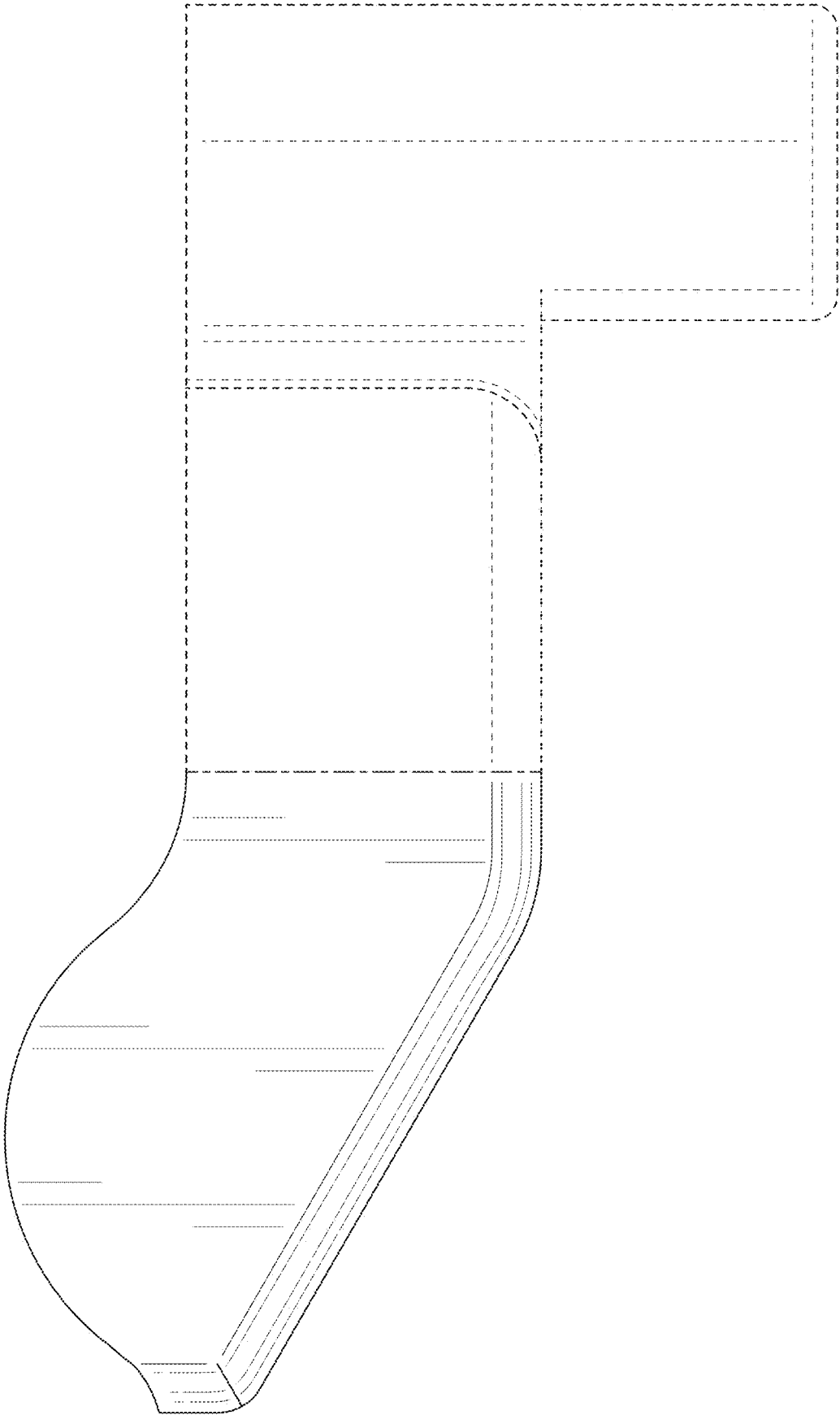


FIG. 11

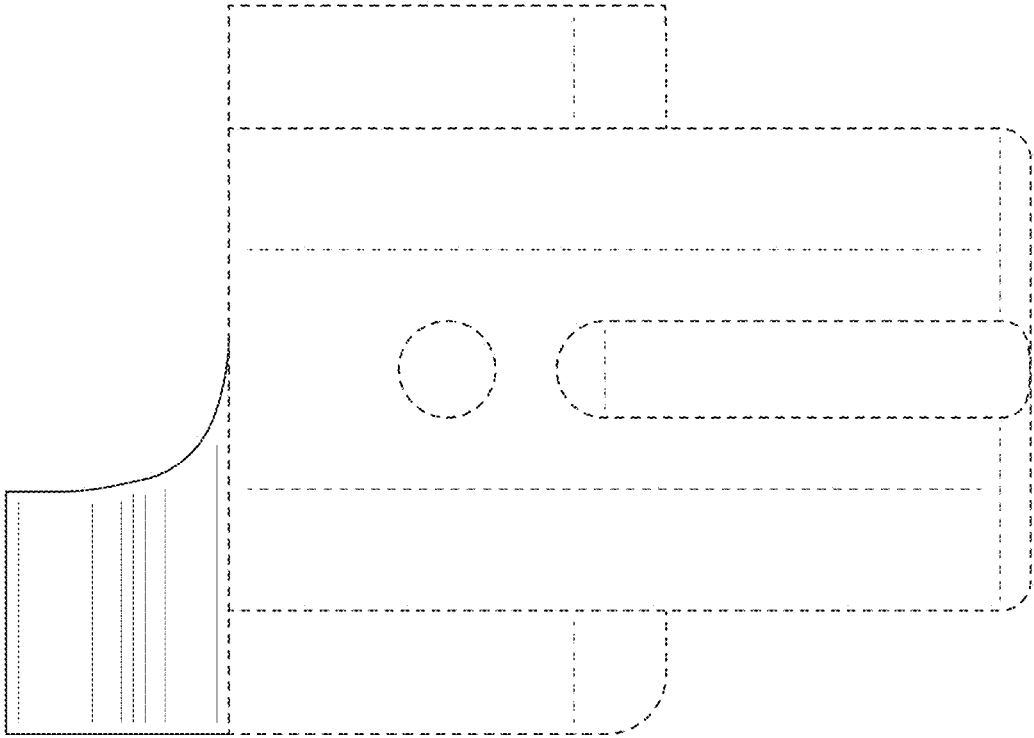


FIG. 13

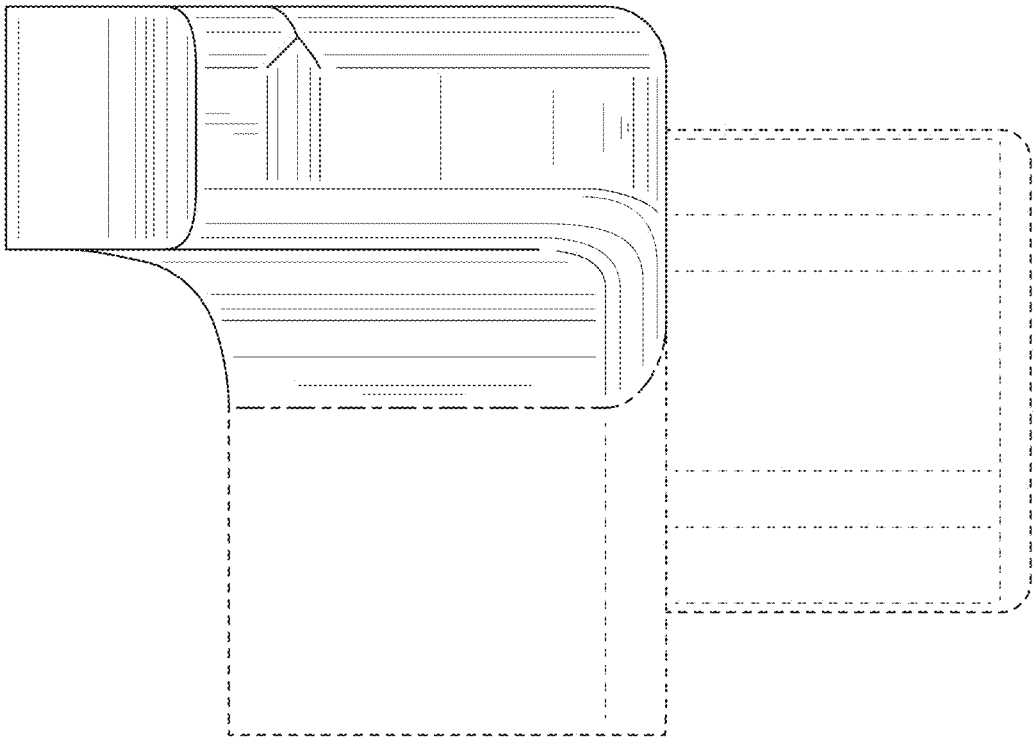


FIG. 12

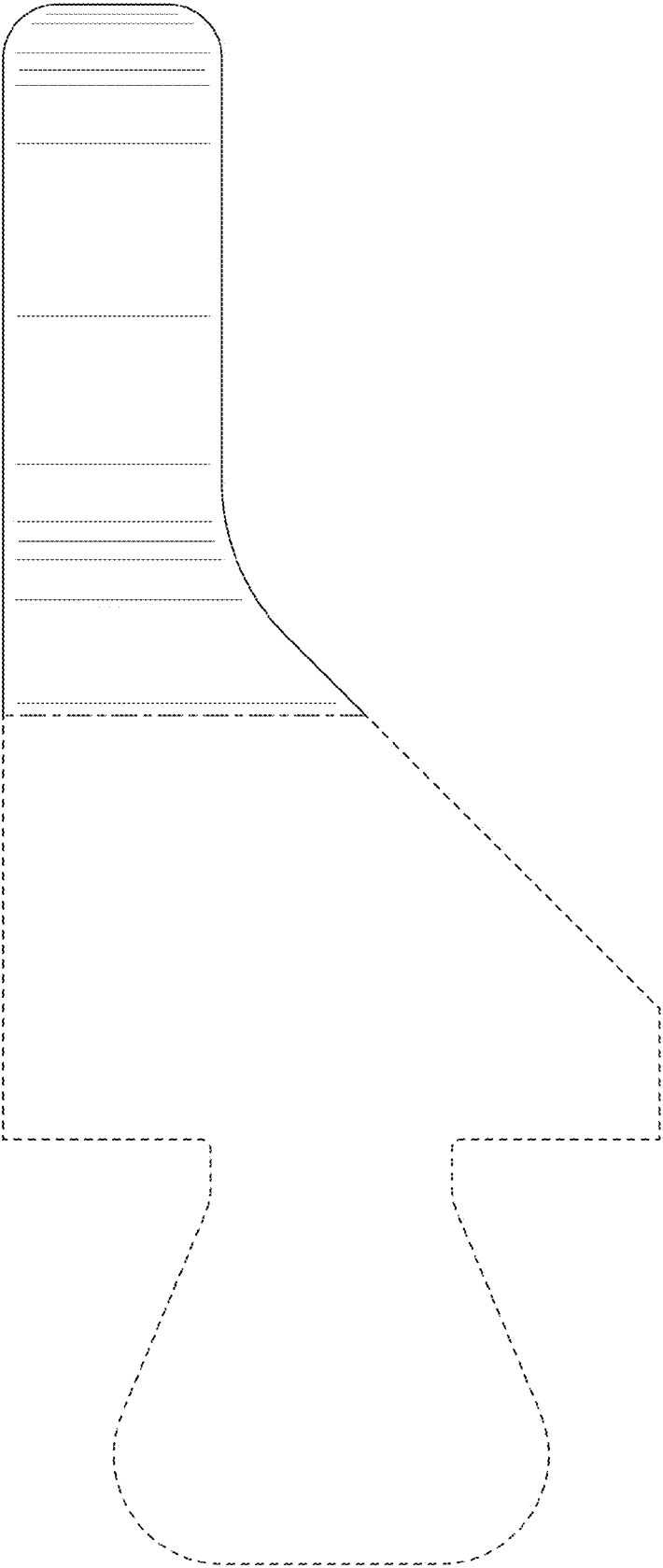


FIG. 14

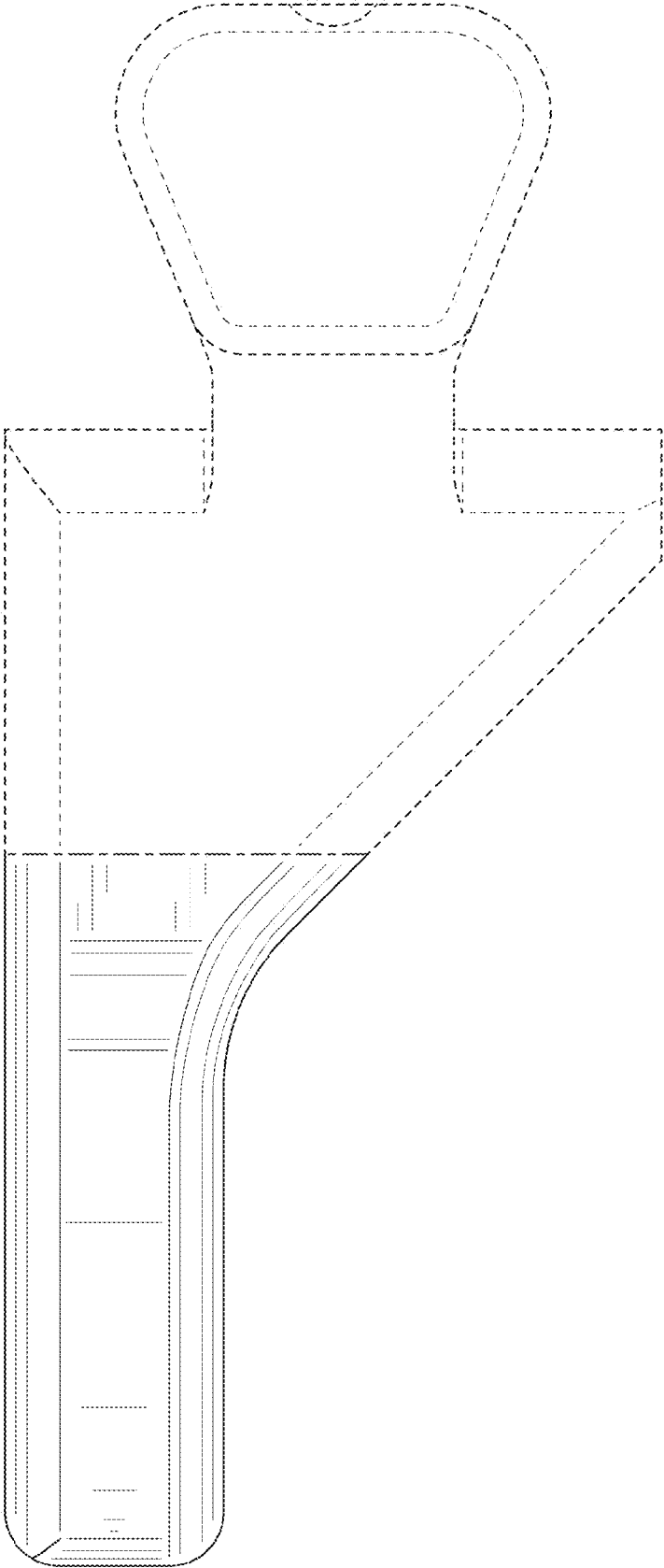


FIG. 15