



US00D876487S

(12) **United States Design Patent** (10) **Patent No.:** **US D876,487 S**  
**Kim et al.** (45) **Date of Patent:** **\*\* Feb. 25, 2020**

(54) **ROBOT LAWN MOWER**  
(71) Applicant: **LG ELECTRONICS INC.**, Seoul (KR)  
(72) Inventors: **Jaeyoung Kim**, Seoul (KR); **Myungwhoon Lee**, Seoul (KR)  
(73) Assignee: **LG ELECTRONICS INC.**, Seoul (KR)  
(\*\*) Term: **15 Years**  
(21) Appl. No.: **35/506,249**  
(22) Filed: **Jun. 19, 2018**  
(80) **Hague Agreement Data**  
Int. Filing Date: **Jun. 19, 2018**  
Int. Reg. No.: **DM/102002**  
Int. Reg. Date: **Jun. 19, 2018**  
Int. Reg. Pub. Date: **Dec. 21, 2018**

(30) **Foreign Application Priority Data**  
Jan. 11, 2018 (KR) ..... 30-2018-0001795  
(51) **LOC (12) Cl.** ..... **15-03**  
(52) **U.S. Cl.**  
USPC ..... **D15/14; D15/17; D15/199**  
CPC ..... **A01D 34/008** (2013.01)  
(58) **Field of Classification Search**  
USPC ..... D15/14-18, 199; 56/17.5, 13.4, 12.8, 56/16.7, 202, 255, 294, 295, 320.1, 320.2; 180/900, 89.1, 89.12  
CPC .... A01D 34/008; A01D 34/81; A01D 34/416; A01D 34/4166; A01D 34/4167; A01D 34/87; A01D 34/90; B60L 1/003; B60L 3/0061; B60L 11/1803; B60L 11/1805; B60L 11/1877; B60L 15/20; B60L 2260/28; B60L 2200/40; B60L 2220/16; B60L 2220/46; B60L 2240/36; B60L 2240/421; A01G 3/04; A01G 3/0435  
See application file for complete search history.

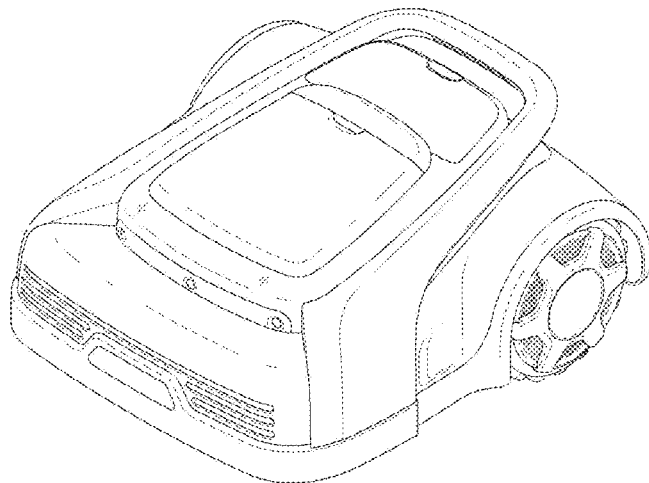
(56) **References Cited**  
U.S. PATENT DOCUMENTS  
D346,809 S \* 5/1994 Burgos ..... D15/14  
D451,931 S \* 12/2001 Abramson ..... D15/14  
D504,901 S \* 5/2005 Wickstrom ..... D15/14  
D559,867 S \* 1/2008 Abramson ..... D15/14  
D573,610 S \* 7/2008 Abramson ..... D15/14  
D652,431 S \* 1/2012 Naslund ..... D15/14  
D656,163 S \* 3/2012 Johansson ..... D15/14  
8,390,251 B2 \* 3/2013 Cohen ..... A47L 9/2857  
320/109  
D679,294 S \* 4/2013 Tajik ..... D15/14  
D679,295 S \* 4/2013 Tajik ..... D15/14  
D681,065 S \* 4/2013 Maeda ..... D15/14  
8,634,960 B2 \* 1/2014 Sandin ..... G05D 1/0225  
700/258

(Continued)  
*Primary Examiner* — Richard E Chilcot  
(74) *Attorney, Agent, or Firm* — Birch, Stewart, Kolasch & Birch, LLP

(57) **CLAIM**  
The ornamental design for a robot lawn mower, as shown and described.

**DESCRIPTION**  
1. Robot lawn mower  
**1.1** : Perspective  
**1.2** : Front  
**1.3** : Back  
**1.4** : Left  
**1.5** : Top  
**1.6** : Bottom  
**1.7** : Perspective view 2  
Reproduction **1.1** is a front perspective view of the robot lawn mower; reproduction **1.2** is a front view thereof; reproduction **1.3** is a back view thereof; reproduction **1.4** is a left view thereof where the right view is a mirror image; reproduction **1.5** is a top view thereof; reproduction **1.6** is a bottom view thereof; reproduction **1.7** is a back perspective view thereof.

**1 Claim, 7 Drawing Sheets**



(56)

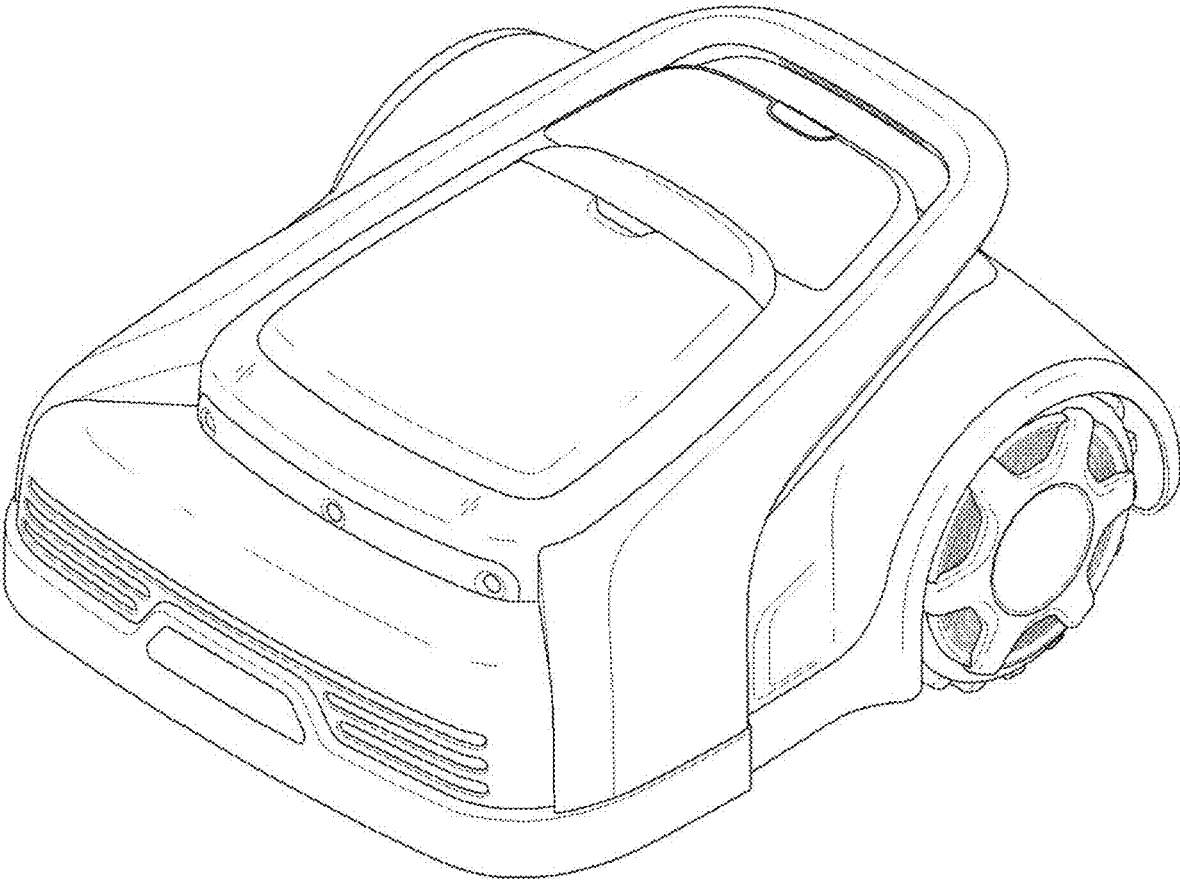
**References Cited**

## U.S. PATENT DOCUMENTS

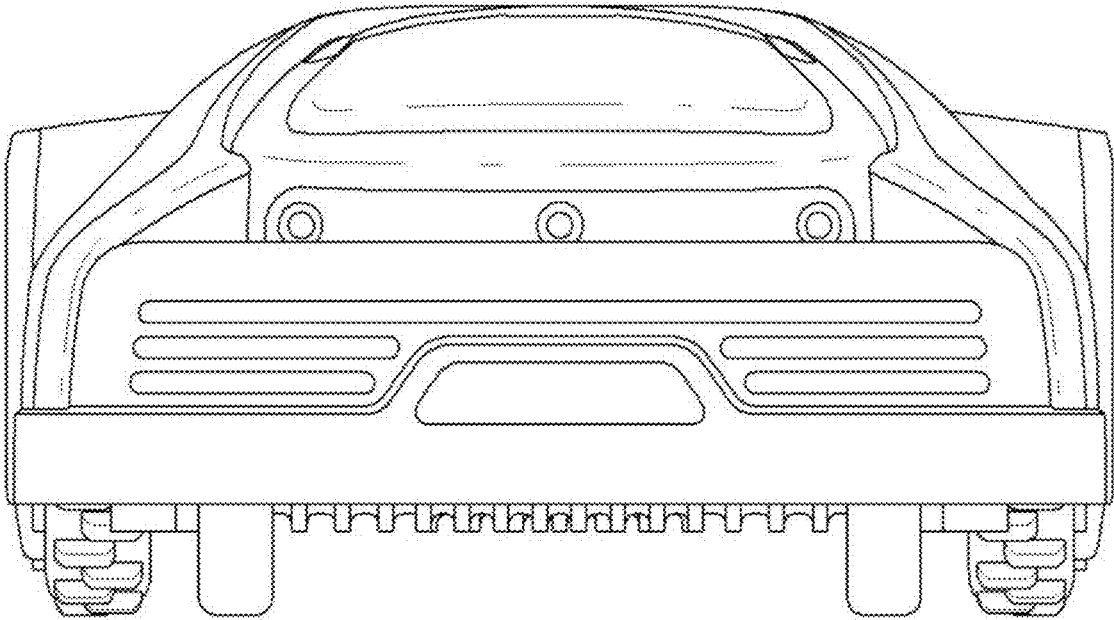
D718,339	S *	11/2014	Damshak .....	D15/14
D718,340	S *	11/2014	Damshak .....	D15/14
D718,341	S *	11/2014	Gur .....	D15/14
D718,793	S *	12/2014	Gur .....	D15/14
D729,280	S *	5/2015	Naslund .....	D15/14
D780,811	S *	3/2017	Lin .....	D15/14
D805,111	S *	12/2017	Fujiwara .....	D15/14
D830,418	S *	10/2018	Naslund .....	D15/14
D842,343	S *	3/2019	Roh .....	D15/14
D842,906	S *	3/2019	Roh .....	D15/14
D842,907	S *	3/2019	Roh .....	D15/14
2010/0324731	A1 *	12/2010	Letsky .....	A01D 34/008 700/245
2016/0100521	A1 *	4/2016	Halloran .....	A01D 34/008 180/169
2018/0064024	A1 *	3/2018	Choi .....	A01D 34/008
2018/0184583	A1 *	7/2018	Morin .....	A01D 34/008

\* cited by examiner

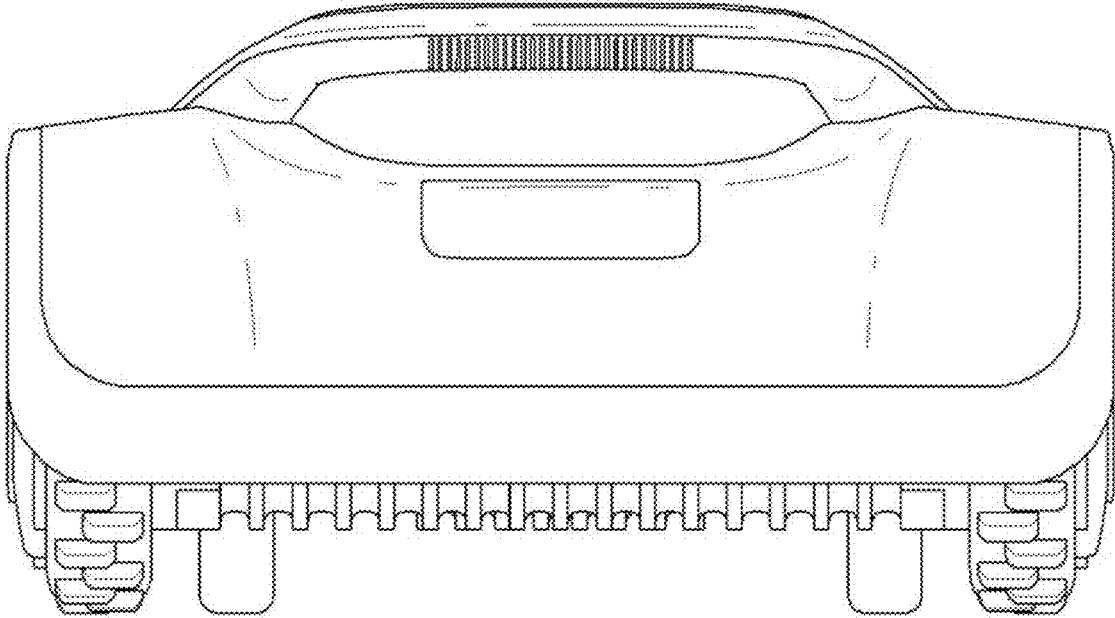
1.1



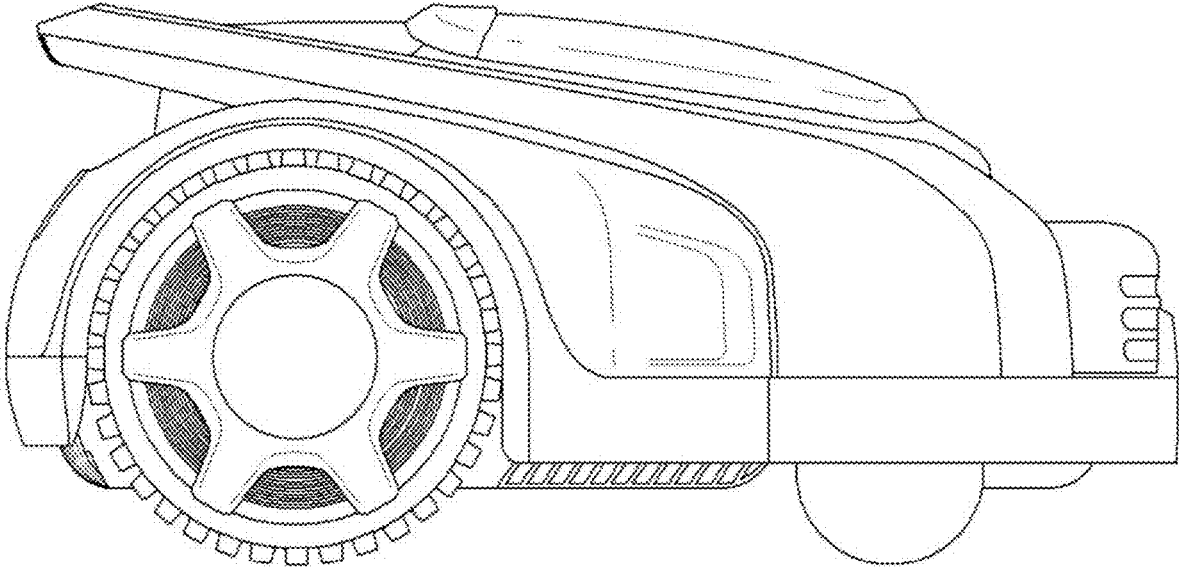
1.2



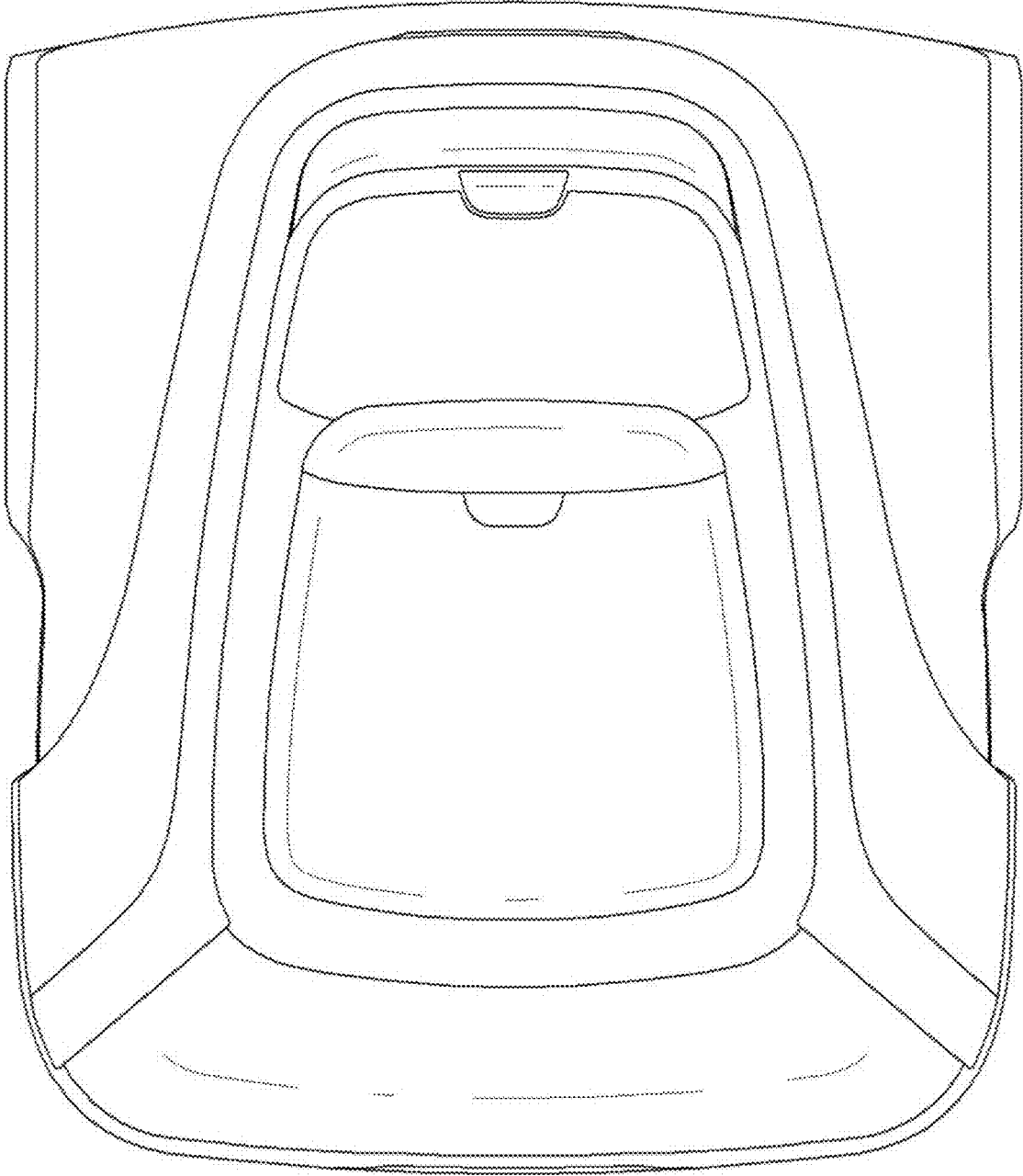
1.3



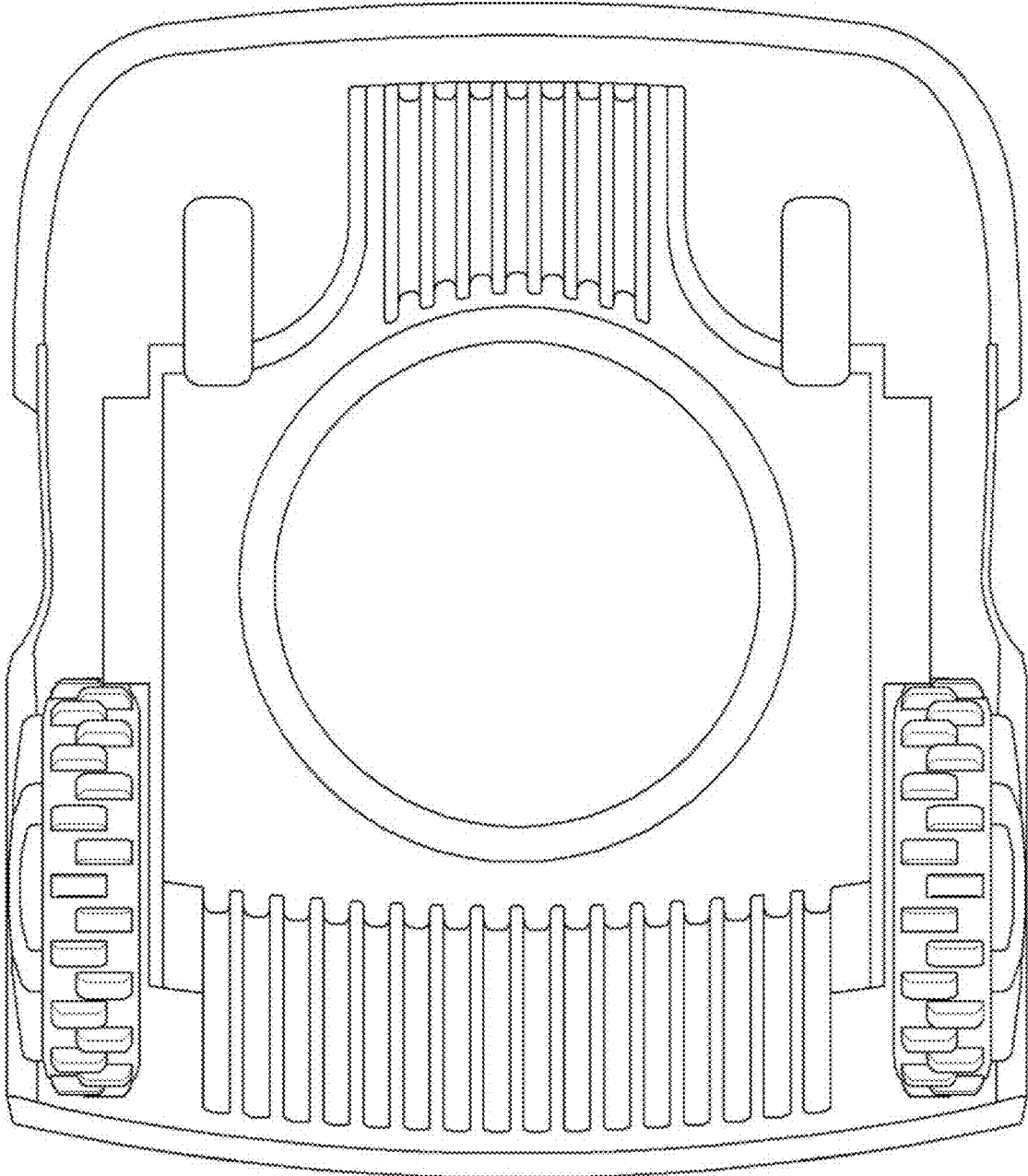
1.4



1.5



1.6





1.7

