



US00D761312S

(12) **United States Design Patent**  
**Sikkema et al.**

(10) **Patent No.:** **US D761,312 S**

(45) **Date of Patent:** **\*\* Jul. 12, 2016**

(54) **DISPLAY SCREEN OR PORTION THEREOF WITH ICON**

(71) Applicant: **Deere & Company**, Moline, IL (US)

(72) Inventors: **Kelly L. Sikkema**, Brookline, MA (US);  
**Margaux M. Price**, Davenport, IA (US);  
**Julian Sanchez**, Le Claire, IA (US);  
**Ryan M. Gilsdorf**, Parkville, MO (US);  
**Troy K. Maddox**, Ames, IA (US);  
**Aaron J. Bruns**, Bettendorf, IA (US);  
**Jeffery J. Adams**, Davenport, IA (US)

(73) Assignee: **Deere & Company**, Moline, IL (US)

(\*\*) Term: **14 Years**

(21) Appl. No.: **29/469,888**

(22) Filed: **Oct. 15, 2013**

(51) **LOC (10) Cl.** ..... **14-04**

(52) **U.S. Cl.**

USPC ..... **D14/492**

(58) **Field of Classification Search**

USPC ..... D14/485-495

CPC .... G06F 3/048; G06F 3/04817; G06F 3/0482

See application file for complete search history.

(56) **References Cited**

**U.S. PATENT DOCUMENTS**

5,642,929	A *	7/1997	Ushimaru	.....	B60Q 3/02
					200/312
5,712,782	A *	1/1998	Weigelt	.....	A01B 79/005
					701/24
5,889,671	A *	3/1999	Autermann	.....	A01B 79/005
					361/724
5,978,720	A *	11/1999	Hieronymus	.....	A01D 41/127
					340/438
6,480,783	B1 *	11/2002	Myr	.....	G01C 21/3492
					340/990
7,133,757	B2 *	11/2006	Miedema	.....	A01B 79/005
					172/5
7,337,023	B2 *	2/2008	Diekhans	.....	A01D 41/127
					700/52

7,365,782	B2 *	4/2008	Tanaka	.....	H04N 5/23293
					348/231.8
D571,974	S *	6/2008	Shibata	.....	D34/35
D589,054	S *	3/2009	Koursoumidis	.....	D14/492
D590,409	S *	4/2009	Shibata	.....	D14/486
7,600,189	B2 *	10/2009	Fujisawa	.....	G09G 3/20
					341/137
D606,555	S *	12/2009	Koemick	.....	D14/492
D642,194	S *	7/2011	Kozlowski	.....	D14/488
D642,589	S *	8/2011	Kozlowski	.....	D14/487
D645,051	S *	9/2011	Kozlowski	.....	D14/487
D652,425	S *	1/2012	Kozlowski	.....	D14/487
D673,165	S *	12/2012	Ospina Gonzalez	.....	D14/486
D685,386	S *	7/2013	Makhlof	.....	D14/486
D689,096	S *	9/2013	Nagaoka	.....	D14/489
D692,918	S *	11/2013	Ridl	.....	D14/492
D697,935	S *	1/2014	Lee	.....	D14/486
D700,619	S *	3/2014	Ito	.....	D14/492
D701,874	S *	4/2014	Rao	.....	D14/487
D709,082	S *	7/2014	Meegan	.....	D14/486
D709,083	S *	7/2014	Meegan	.....	D14/486

(Continued)

*Primary Examiner* — Kevin Rudzinski

(74) *Attorney, Agent, or Firm* — Ingrassia, Fisher & Lorenz PC

(57) **CLAIM**

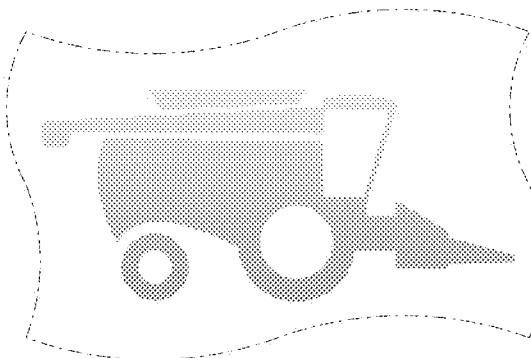
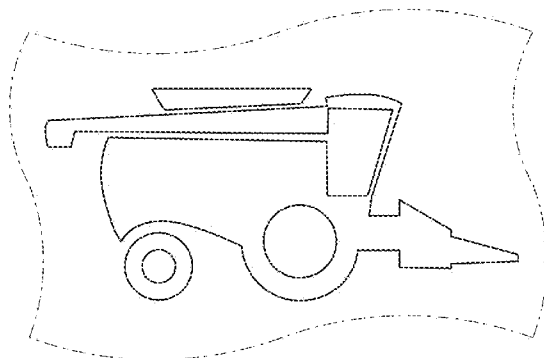
The ornamental design for a display screen or portion thereof with icon, as shown and described.

**DESCRIPTION**

The patent file contains at least one drawing executed in color. Copies of the patent file with color drawing(s) will be provided by the Patent Office upon request and payment of the necessary fee. Color forms no part of the embodiments of the design shown in FIG. 1.

FIG. 1 is a front view of a display screen or portion thereof with icon showing our new design; and, FIG. 2 is a front view of display screen or portion thereof with icon according to a second embodiment of our new design. The dot-dash line representations of the display screen or portion thereof with icon in the figures form no part of the claimed design.

**1 Claim, 1 Drawing Sheet**  
**(1 of 1 Drawing Sheet(s) Filed in Color)**



(56)

References Cited

U.S. PATENT DOCUMENTS

D709,518 S *	7/2014	Meegan	.....	D14/486	D729,820 S *	5/2015	Yamasaki	.....	D14/485
D709,519 S *	7/2014	Meegan	.....	D14/486	D730,401 S *	5/2015	Bray	.....	D14/492
D710,373 S *	8/2014	Meegan	.....	D14/486	D730,935 S *	6/2015	Franganillo	.....	D14/492
D710,374 S *	8/2014	Meegan	.....	D14/486	D732,051 S *	6/2015	Jeong	.....	D14/485
D712,421 S *	9/2014	Inose	.....	D14/486	D733,722 S *	7/2015	Ueda	.....	D14/485
D712,928 S *	9/2014	Brener	.....	D14/492	D734,343 S *	7/2015	Yamasaki	.....	D14/485
D721,730 S *	1/2015	Thompson	.....	D14/489	2008/0059411 A1 *	3/2008	Greiner	.....	G06Q 10/06
					2008/0084332 A1 *	4/2008	Ritter	.....	G06Q 10/06 340/989

\* cited by examiner

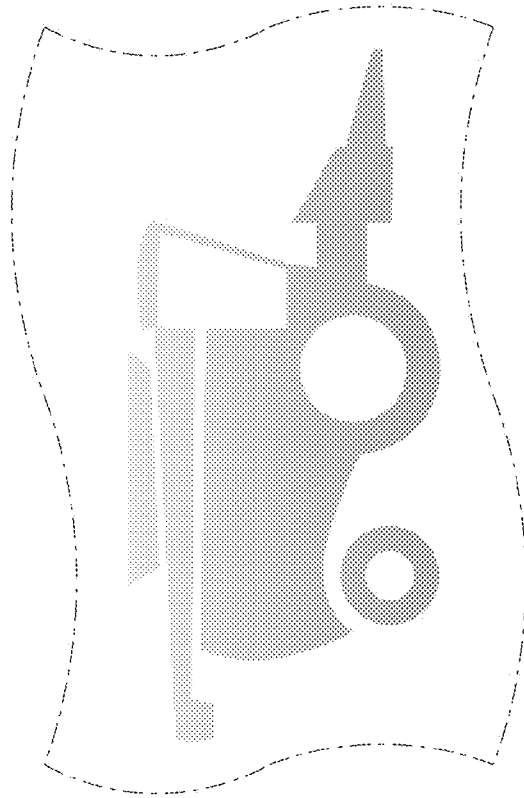


FIG. 1

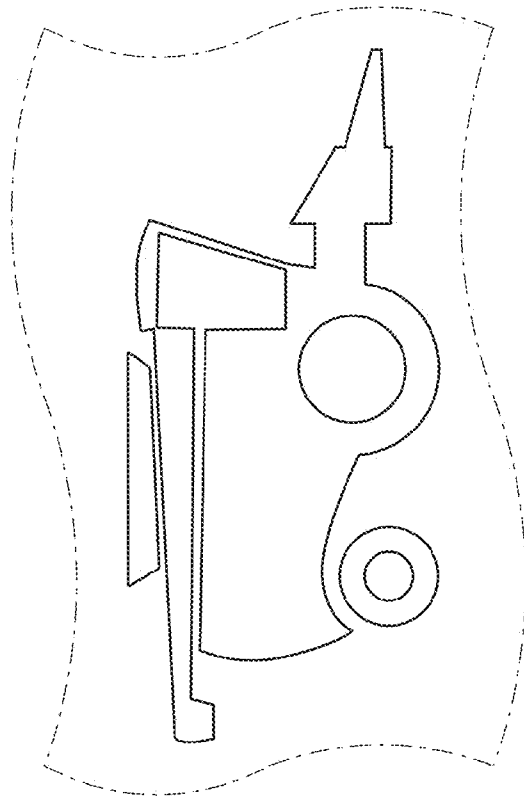


FIG. 2