



US0D1069084S

(12) **United States Design Patent**
Li et al.

(10) **Patent No.:** **US D1,069,084 S**
(45) **Date of Patent:** **** Apr. 1, 2025**

- (54) **PORTABLE FAN**
- (71) Applicant: **Shenzhen Jisu Technology Co., Ltd,**
Guangdong (CN)
- (72) Inventors: **Xiangfu Li,** Guangdong (CN); **Jiefeng Tang,** Guangdong (CN)
- (73) Assignee: **Shenzhen Jisu Technology Co., Ltd,**
Guangdong (CN)
- (**) Term: **15 Years**
- (21) Appl. No.: **29/917,050**
- (22) Filed: **Nov. 16, 2023**
- (51) **LOC (15) Cl.** **23-04**
- (52) **U.S. Cl.**
USPC **D23/370**
- (58) **Field of Classification Search**
USPC D23/332, 333, 370, 378, 380–383;
D28/13
CPC F24F 2221/38; F04D 25/08; F04D 25/084;
F04D 25/0673
See application file for complete search history.

D1,032,823	S	*	6/2024	Zou	D23/382
D1,034,950	S	*	7/2024	Wei	D23/382
D1,036,646	S	*	7/2024	Zhu	D23/382
D1,043,945	S	*	9/2024	Wang	D23/370
D1,046,284	S	*	10/2024	Liu	D28/13
D1,048,363	S	*	10/2024	Wang	D23/382
D1,049,487	S	*	10/2024	Lin	D28/13
D1,051,315	S	*	11/2024	Zhu	D23/370
D1,051,340	S	*	11/2024	Wang	D23/382
D1,051,493	S	*	11/2024	Li	D28/13
2018/0172013	A1	*	6/2018	Dymond	F04D 29/388
2023/0265854	A1	*	8/2023	Chen	F04D 19/002
						416/63

FOREIGN PATENT DOCUMENTS

CN 308036228 S 5/2023

* cited by examiner

Primary Examiner — Sharon S Oum

(74) *Attorney, Agent, or Firm* — Bartholomew Law PC;
Michael Bartholomew

(57) **CLAIM**

The ornamental design for a portable fan as shown and described.

DESCRIPTION

FIG. 1 is a front, right and top perspective view of a portable fan, showing our design.

FIG. 2 is a rear, left and bottom perspective view thereof.

FIG. 3 is a front elevation view thereof.

FIG. 4 is a rear elevation view thereof.

FIG. 5 is a left side elevation view thereof.

FIG. 6 is a right side elevation view thereof.

FIG. 7 is a top plan view thereof; and,

FIG. 8 is a bottom plan view thereof.

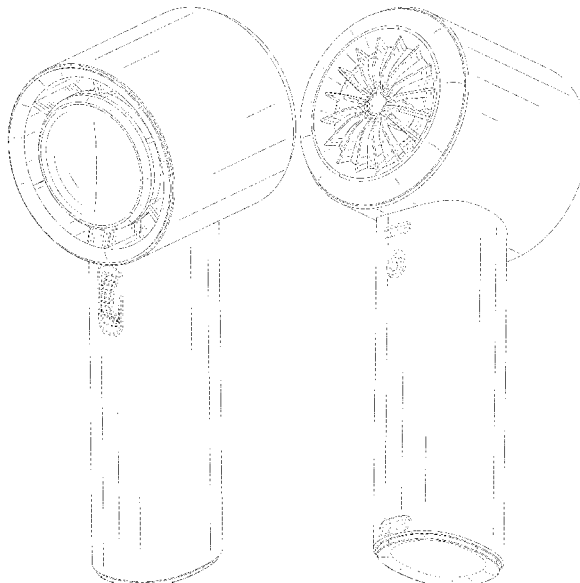
The broken lines depict portions of the portable fan that form no part of the claimed design.

1 Claim, 8 Drawing Sheets

(56) **References Cited**

U.S. PATENT DOCUMENTS

D248,048	S	*	5/1978	Cousins	D28/13
D602,143	S	*	10/2009	Gammack	F04D 25/08
						D23/370
D605,748	S	*	12/2009	Gammack	F04D 25/08
						D23/370
D678,993	S	*	3/2013	Kung-Hua	D23/370
D907,189	S	*	1/2021	Zhang	D23/382
D973,272	S	*	12/2022	Chen	D28/13
11,566,628	B1	*	1/2023	Liu	F04D 19/002
D999,360	S	*	9/2023	Li	D23/370
D999,361	S	*	9/2023	Li	D23/370
D1,029,230	S	*	5/2024	Wei	D23/382
D1,029,231	S	*	5/2024	Zhu	D23/382



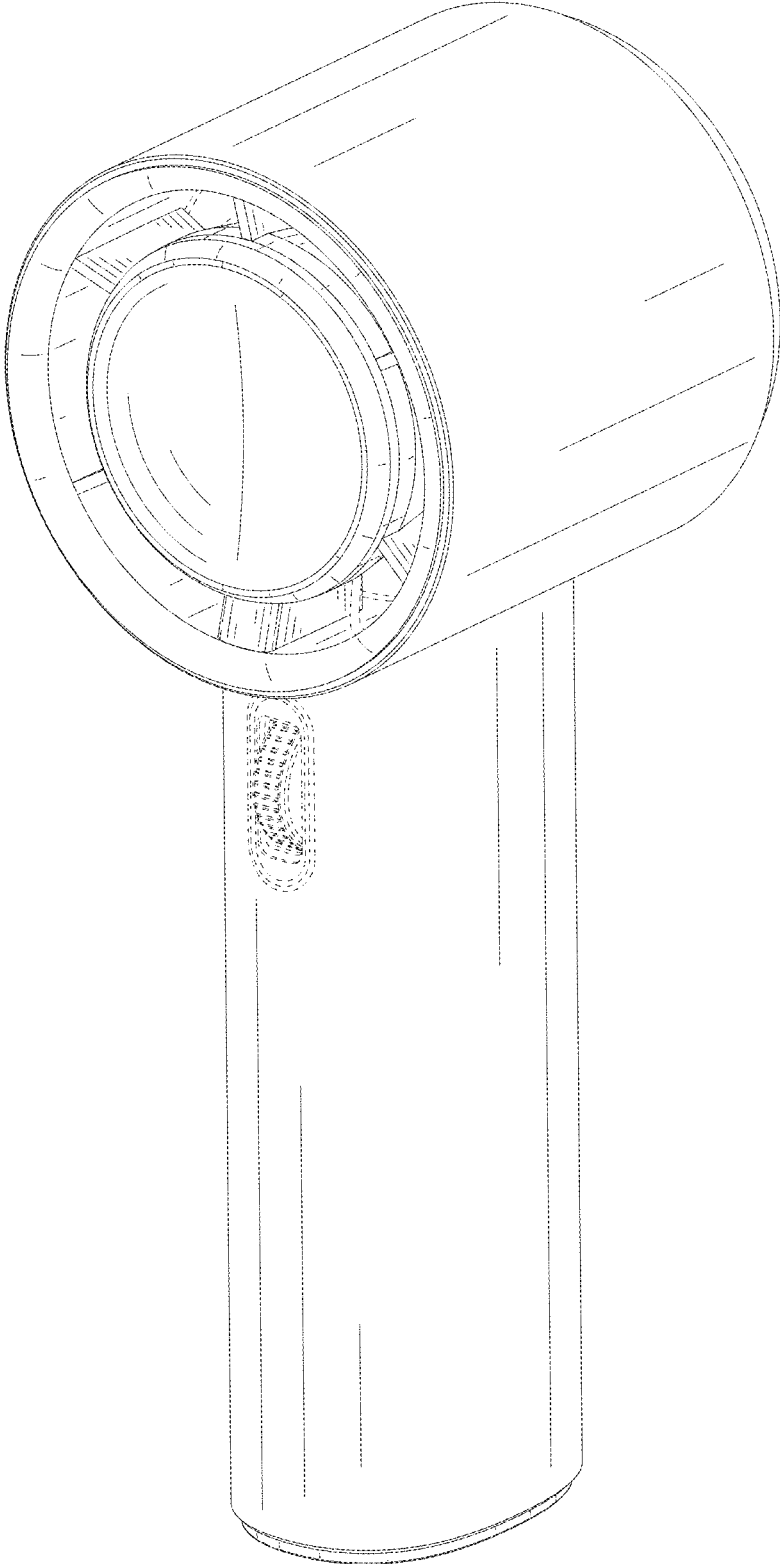


FIG. 1

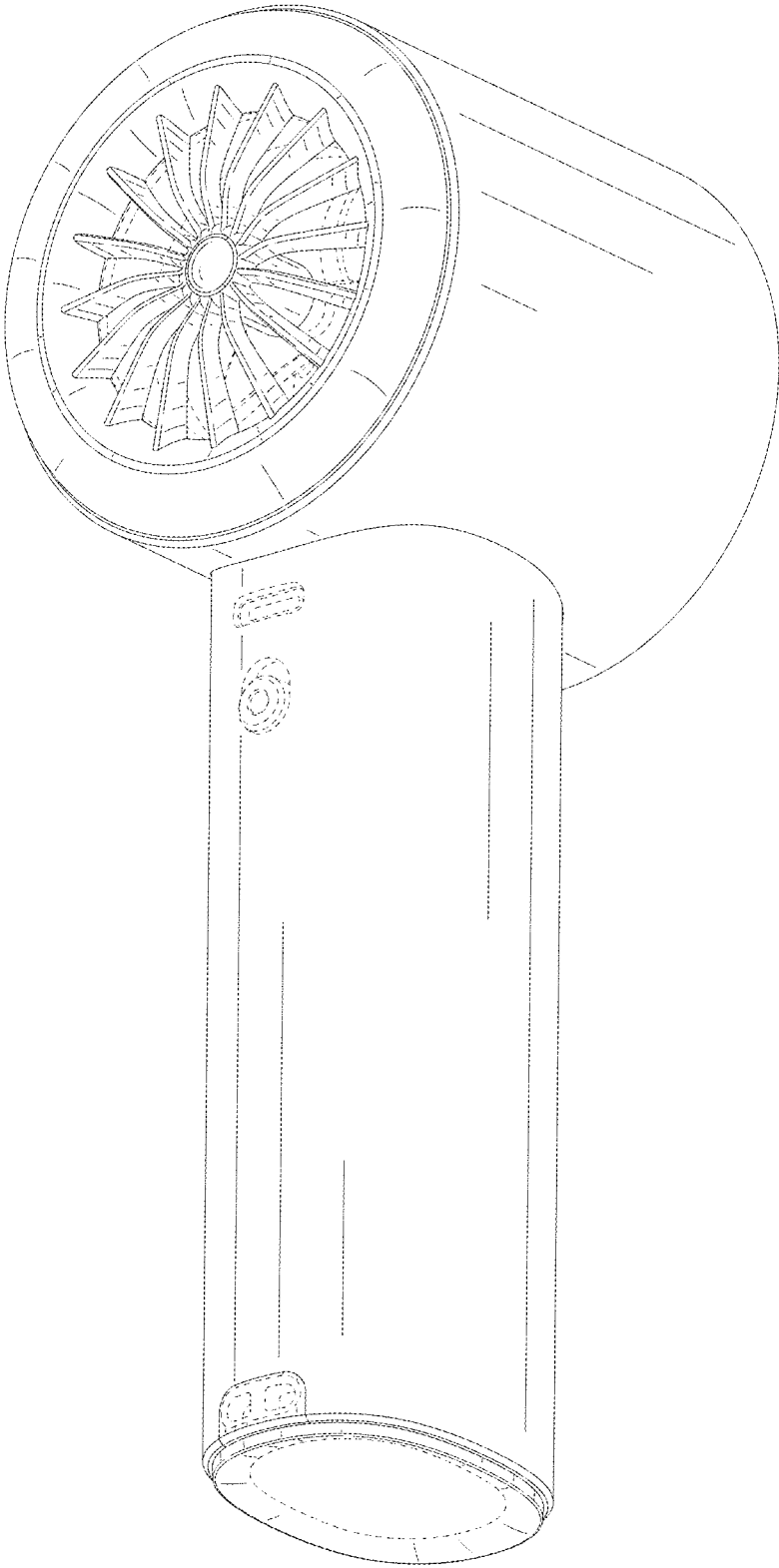


FIG. 2

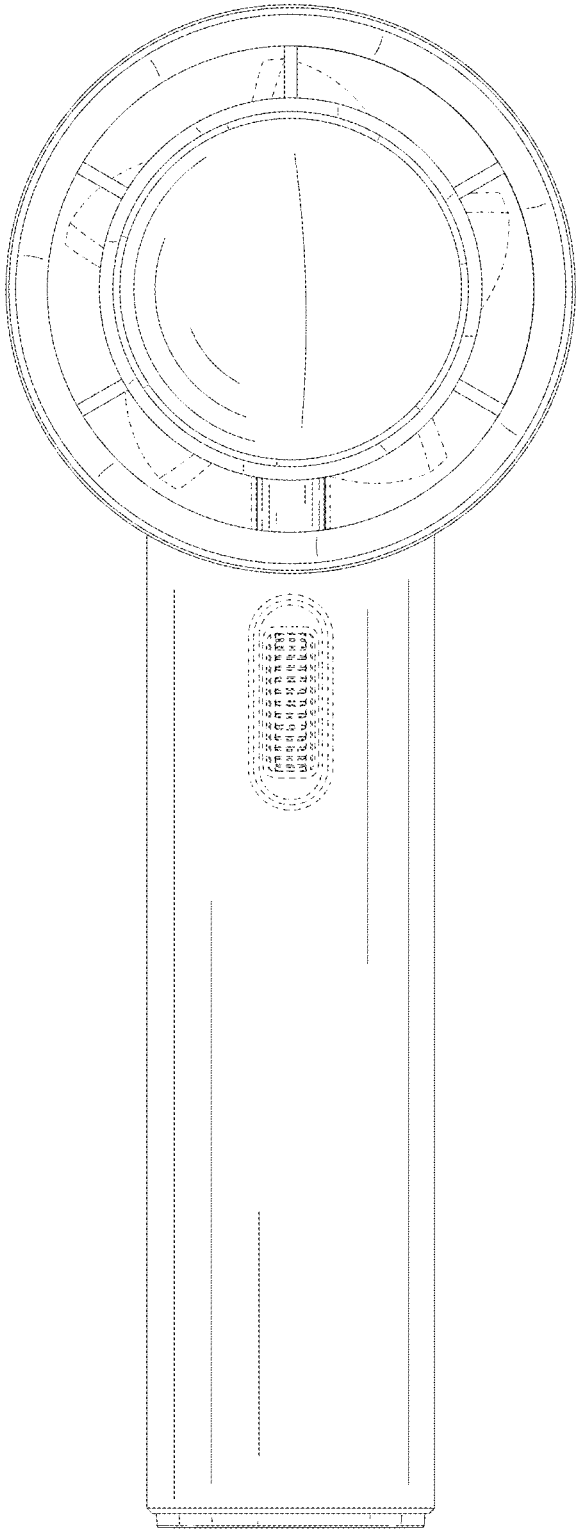


FIG. 3

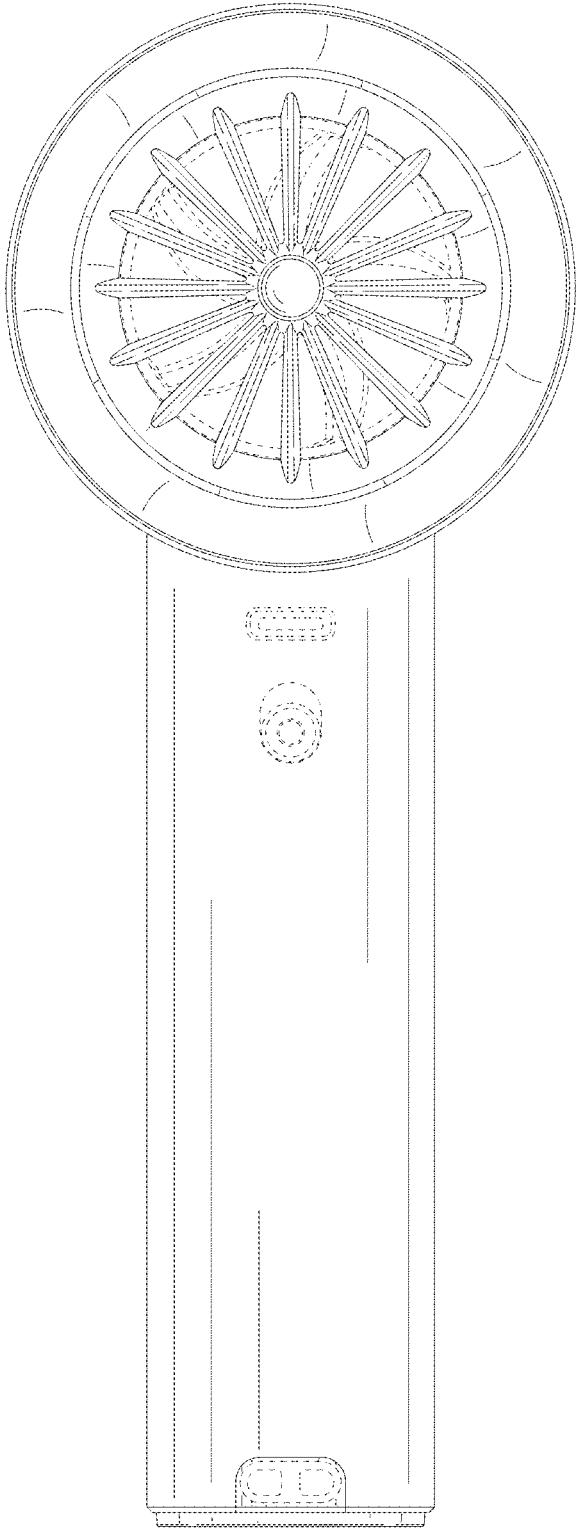


FIG. 4

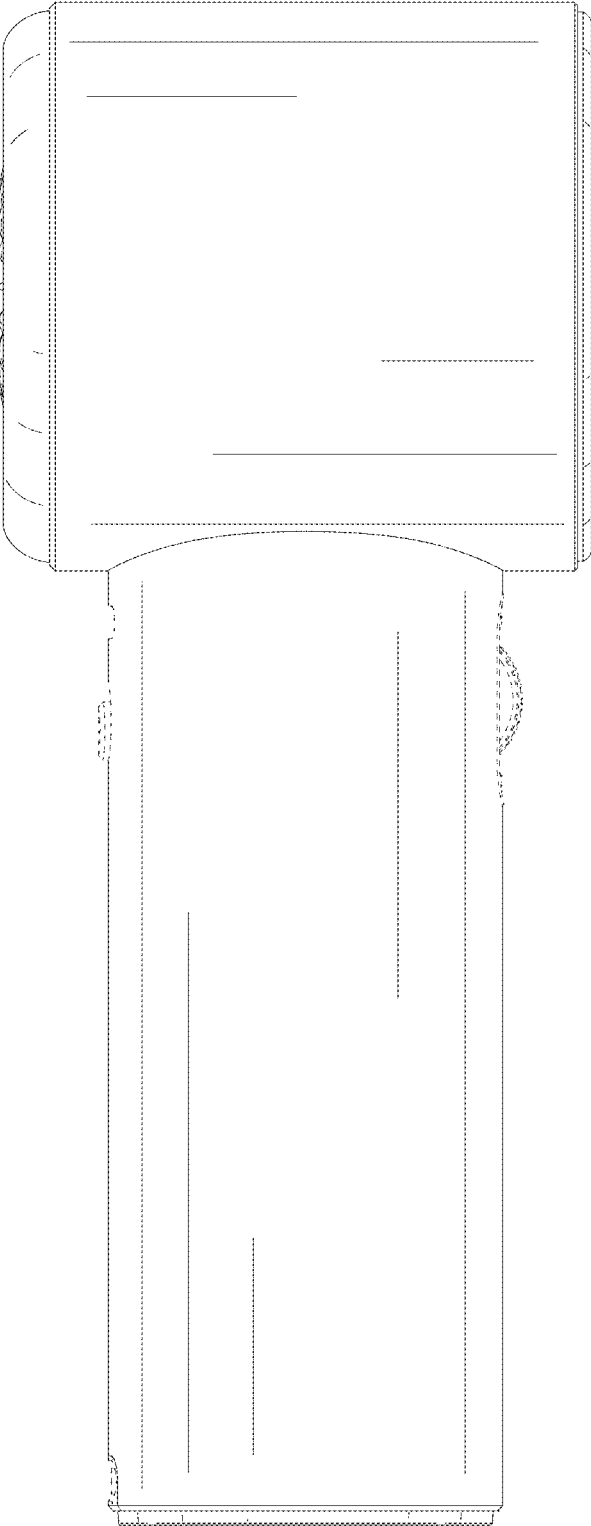


FIG. 5

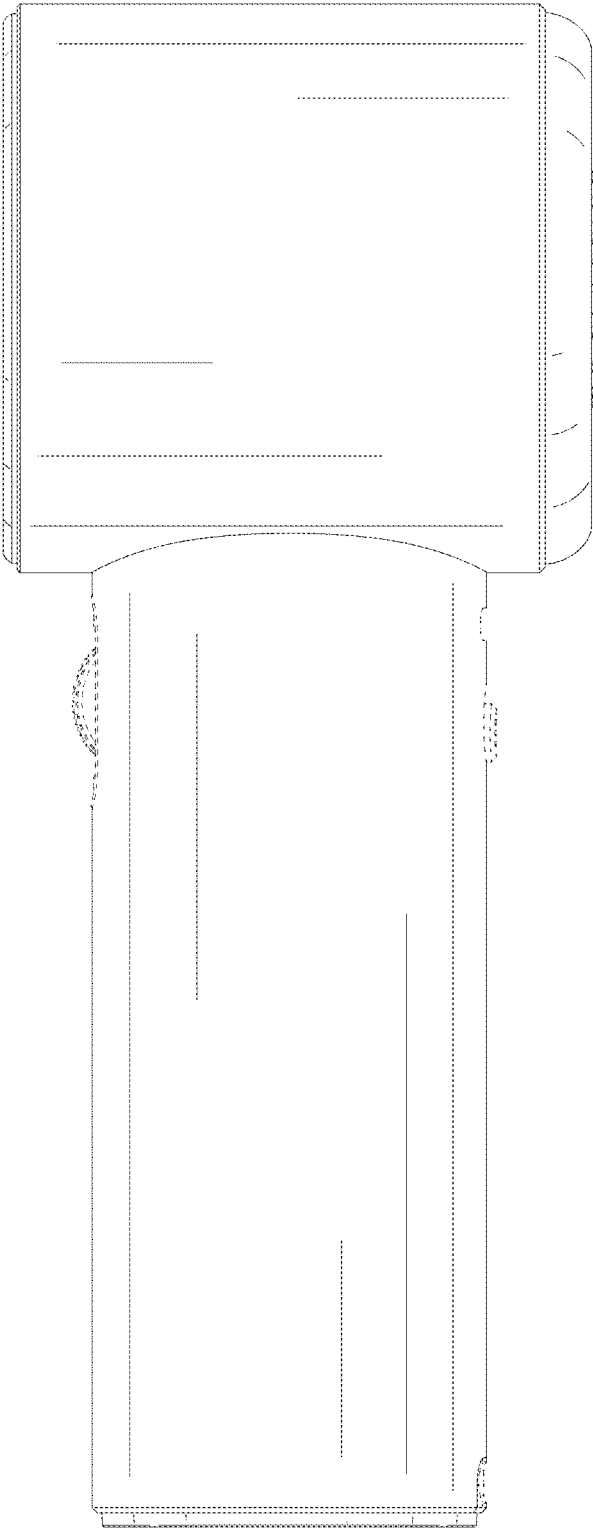


FIG. 6

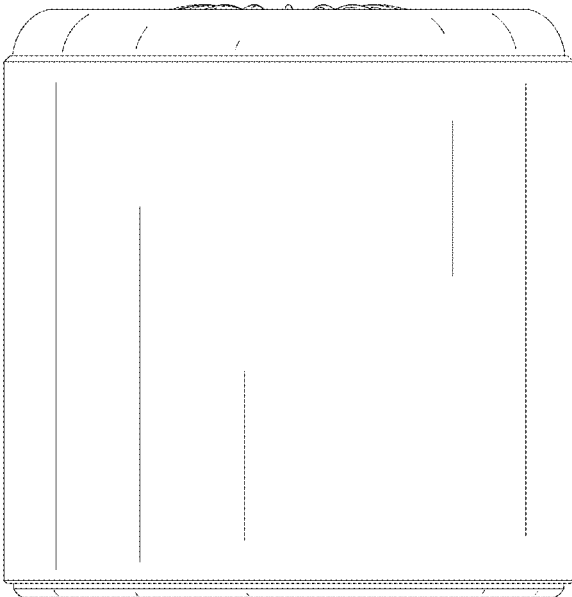


FIG. 7

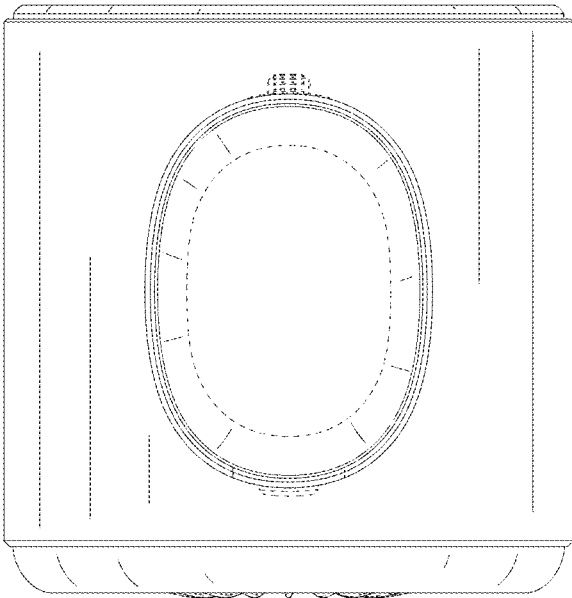


FIG. 8