



(12) **United States Design Patent**
Mihara

(10) **Patent No.:** **US D776,669 S**
(45) **Date of Patent:** **** Jan. 17, 2017**

- (54) **OIL DAMPER**
- (71) Applicant: **NIDEC SANKYO CORPORATION**,
Nagano (JP)
- (72) Inventor: **Naoya Mihara**, Nagano (JP)
- (73) Assignee: **NIDEC SANKYO CORPORATION**,
Nagano (JP)
- (**) Term: **15 Years**
- (21) Appl. No.: **29/539,132**
- (22) Filed: **Sep. 10, 2015**
- (30) **Foreign Application Priority Data**

| | | | | | |
|-----------|------|---------|-----------|-------|------------|
| 5,211,267 | A * | 5/1993 | Clark | | F16D 57/00 |
| | | | | | 16/82 |
| 5,906,010 | A * | 5/1999 | Suzuki | | A47K 13/12 |
| | | | | | 16/342 |
| 6,393,624 | B1 * | 5/2002 | Iwashita | | A47K 13/10 |
| | | | | | 4/246.3 |
| D479,242 | S * | 9/2003 | Kurachi | | D14/483 |
| 6,634,033 | B2 * | 10/2003 | Mizuno | | F16F 9/14 |
| | | | | | 188/305 |
| D494,601 | S * | 8/2004 | Arisaka | | D14/483 |
| D494,602 | S * | 8/2004 | Arisaka | | D14/483 |
| D513,264 | S * | 12/2005 | Hayashi | | D14/483 |
| D566,123 | S * | 4/2008 | Takei | | D14/483 |
| D584,315 | S * | 1/2009 | Yamaguchi | | D14/483 |
| 7,798,296 | B2 * | 9/2010 | Iwashita | | F16F 9/145 |
| | | | | | 188/290 |
| D669,484 | S * | 10/2012 | Suzuki | | D14/483 |
| D669,485 | S * | 10/2012 | Suzuki | | D14/483 |

(Continued)

Mar. 13, 2015 (JP) 2015-005503

- (51) **LOC (10) CL.** **14-99**
- (52) **U.S. CL.**
USPC **D14/483**

- (58) **Field of Classification Search**
USPC D15/28, 147, 199, 143; D14/474-483,
D14/496, 299; 4/236, 248; 16/330;
188/290, 283
CPC E05Y 2201/21; E05Y 2201/266; E05Y
2201/256; E05F 3/14; F16F 9/12; F16F
9/145; F16F 9/14; F16F 9/516; F16F 9/50;
F16F 2230/0064; A47K 13/12; A47K
13/04; Y10T 16/540255; Y10T 464/50
See application file for complete search history.

(56) **References Cited**

U.S. PATENT DOCUMENTS

| | | | | | |
|-----------|-----|---------|---------|-------|------------|
| 4,796,732 | A * | 1/1989 | Kong | | E05F 3/108 |
| | | | | | 137/513.3 |
| 4,893,522 | A * | 1/1990 | Arakawa | | E05F 3/14 |
| | | | | | 16/82 |
| 5,153,946 | A * | 10/1992 | Yoke | | A47K 13/10 |
| | | | | | 188/307 |

Primary Examiner — Mark Goodwin
(74) *Attorney, Agent, or Firm* — Jianq Chyun IP Office

(57) **CLAIM**

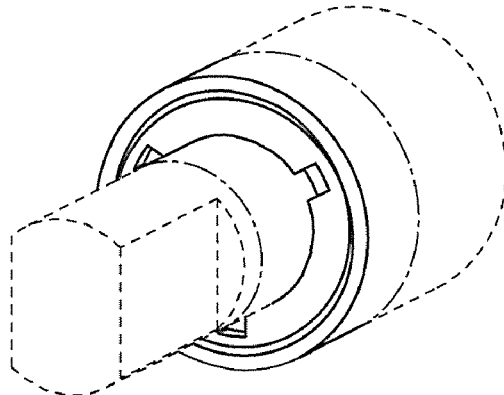
The ornamental design for an oil damper, as shown and described.

DESCRIPTION

FIG. 1 is a front perspective view of an oil damper showing my new design;
FIG. 2 is a rear perspective view thereof;
FIG. 3 is a front view thereof;
FIG. 4 is a rear view thereof;
FIG. 5 is a left side view thereof;
FIG. 6 is a right side view thereof;
FIG. 7 is a top view thereof; and,
FIG. 8 is a bottom view thereof.

The dashed broken lines show portions of the oil damper and form no part of the claimed design. The dot-dashed broken lines represent a boundary of the claimed design and form no part of the claimed design.

1 Claim, 5 Drawing Sheets



(56)

References Cited

U.S. PATENT DOCUMENTS

| | | | | | |
|--------------|------|---------|-----------|-------|-------------------------|
| D670,298 | S * | 11/2012 | Shimozaki | | D14/483 |
| D670,299 | S * | 11/2012 | Suzuki | | D14/483 |
| D670,300 | S * | 11/2012 | Suzuki | | D14/483 |
| D670,301 | S * | 11/2012 | Suzuki | | D14/483 |
| D670,302 | S * | 11/2012 | Suzuki | | D14/483 |
| D670,303 | S * | 11/2012 | Shimozaki | | D14/483 |
| D670,304 | S * | 11/2012 | Shimozaki | | D14/483 |
| D670,305 | S * | 11/2012 | Shimozaki | | D14/483 |
| D670,307 | S * | 11/2012 | Shimozaki | | D14/483 |
| 8,307,503 | B1 * | 11/2012 | Burger | | E05F 1/1215 16/277 |
| 8,439,172 | B2 * | 5/2013 | Lee | | A47K 13/12 16/330 |
| 8,516,657 | B2 * | 8/2013 | Yoshida | | A47K 13/12 16/284 |
| 8,769,770 | B2 * | 7/2014 | Kullman | | B65F 1/068 16/49 |
| 9,414,724 | B2 * | 8/2016 | Vallance | | A47K 13/12 |
| 2003/0126717 | A1 * | 7/2003 | Iwashita | | A47K 13/10 16/82 |
| 2003/0234145 | A1 * | 12/2003 | Iwashita | | A47K 13/12 188/290 |
| 2005/0246863 | A1 * | 11/2005 | Chesworth | | E05F 1/063 16/221 |
| 2006/0230573 | A1 * | 10/2006 | Kao | | E05F 3/20 16/50 |
| 2010/0102494 | A1 * | 4/2010 | Duc | | E05F 1/12 267/140.12 |
| 2012/0080278 | A1 * | 4/2012 | Lee | | A47K 13/12 188/283 |
| 2012/0090932 | A1 * | 4/2012 | Liu | | A47K 13/12 188/290 |

* cited by examiner

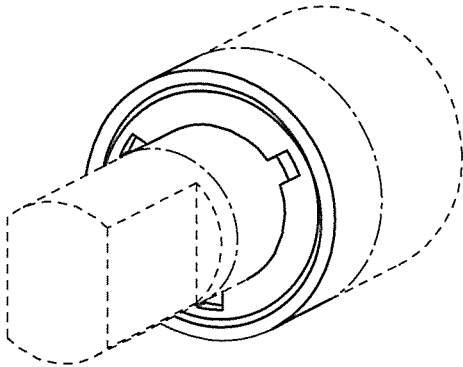


FIG. 1

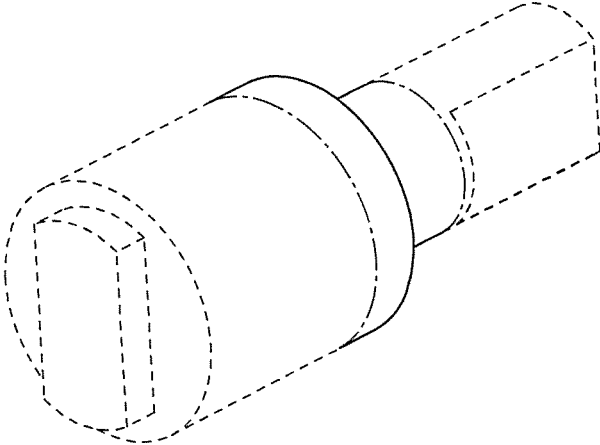


FIG. 2

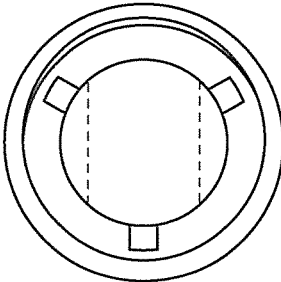


FIG. 3

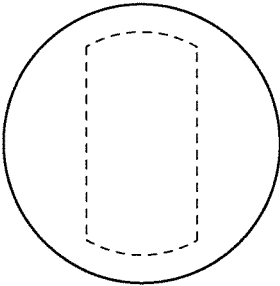


FIG. 4

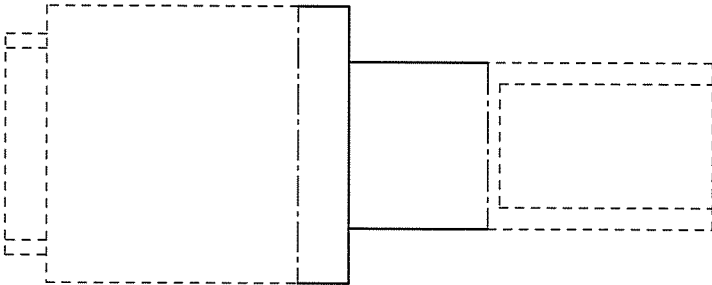


FIG. 5

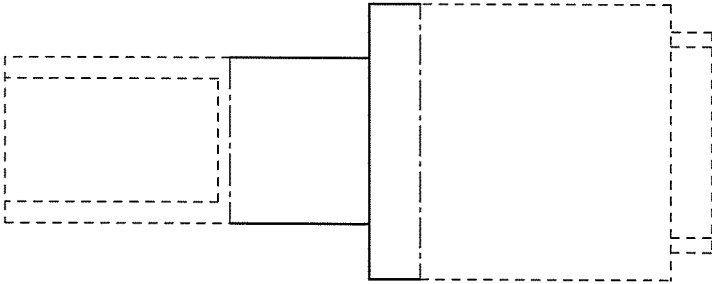


FIG. 6

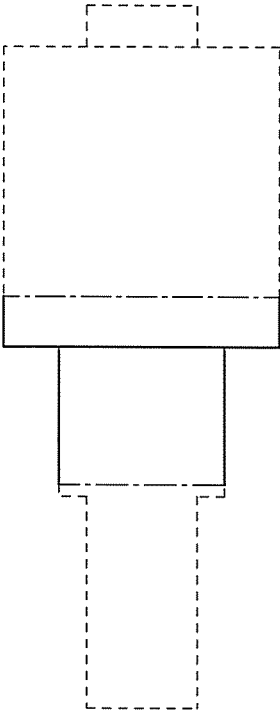


FIG. 7

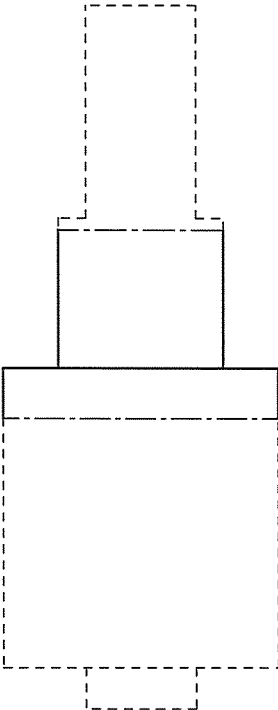


FIG. 8