



US00D342266S

United States Patent [19]

[11] Patent Number: Des. 342,266

Drozdowicz et al.

[45] Date of Patent: ** Dec. 14, 1993

[54] BEARING PACKER PRESS

4,133,261	1/1979	Belfils	100/902
4,326,457	4/1982	Sather	D15/123 X
4,333,396	6/1982	Longnecker	D15/123 X

[76] Inventors: Gary C. Drozdowicz, 37 Hill St., Bellville, N.J. 07109; David J. Zollinger, 77 Keasler Ave., Lodi, N.J. 07644

Primary Examiner—Alan P. Douglas
Assistant Examiner—Antoine D. Davis
Attorney, Agent, or Firm—S. Michael Bender

[**] Term: 14 Years

[57] CLAIM

[21] Appl. No.: 924,252

The ornamental design for a bearing packer press, as shown and described.

[22] Filed: Aug. 3, 1992

[52] U.S. Cl. D15/123

[58] Field of Search D15/123; 100/293, 294, 100/295, 902

DESCRIPTION

[56] References Cited

U.S. PATENT DOCUMENTS

D. 266,566	10/1982	Schmid	D15/123
D. 274,624	7/1984	Difede	D15/123 X

FIG. 1 is a front elevational view of the bearing packer press showing my new design; FIG. 2 is a rear elevational view thereof; FIG. 3 is a left side elevational view thereof; FIG. 4 is a right side elevational view thereof; FIG. 5 is a top plan view thereof; and, FIG. 6 is a bottom plan view thereof.

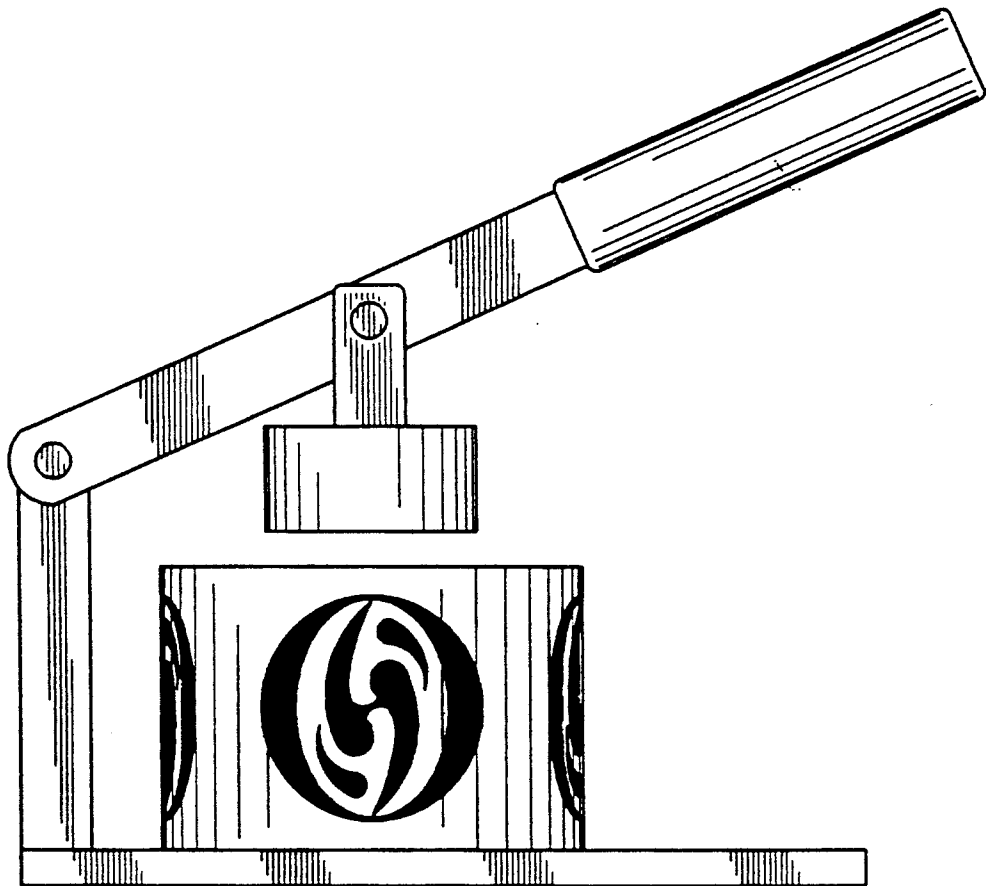


FIG. 1

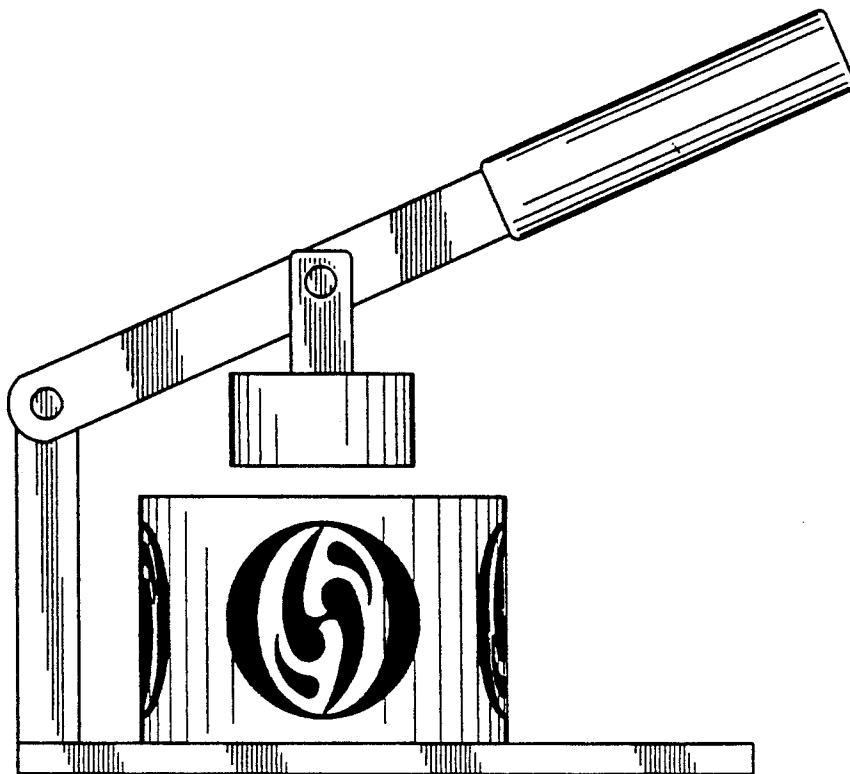


FIG. 2

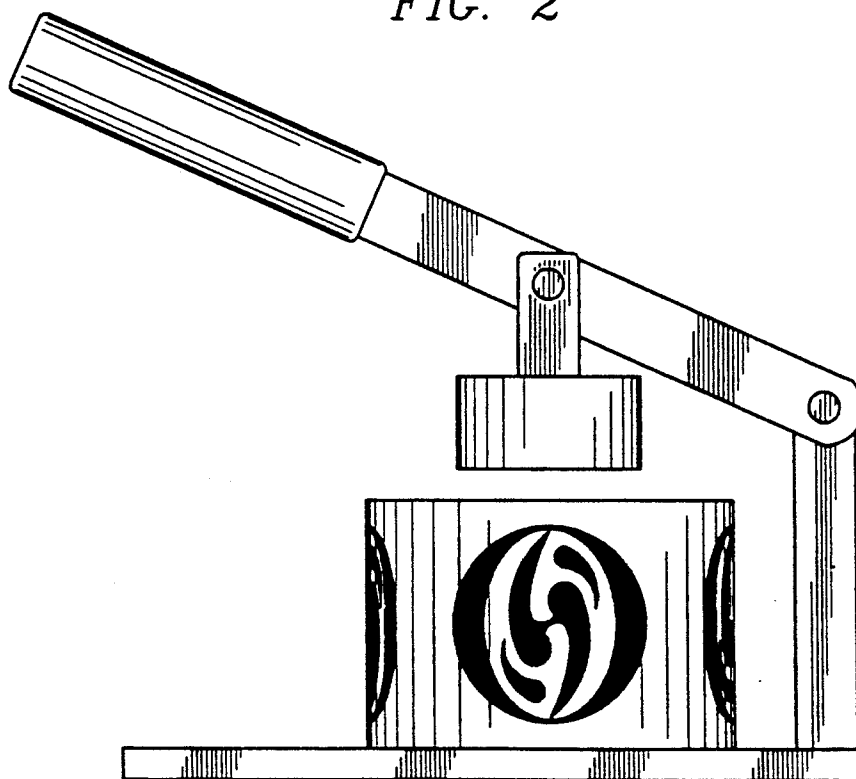


FIG. 3

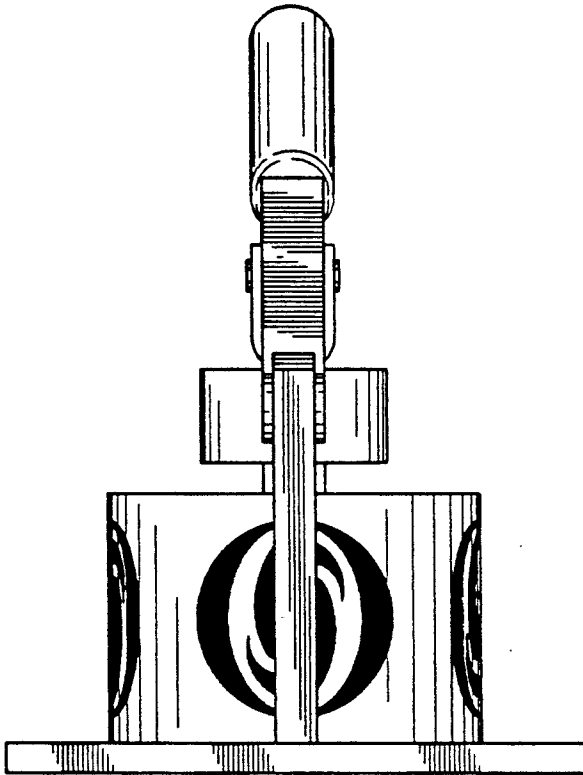


FIG. 4

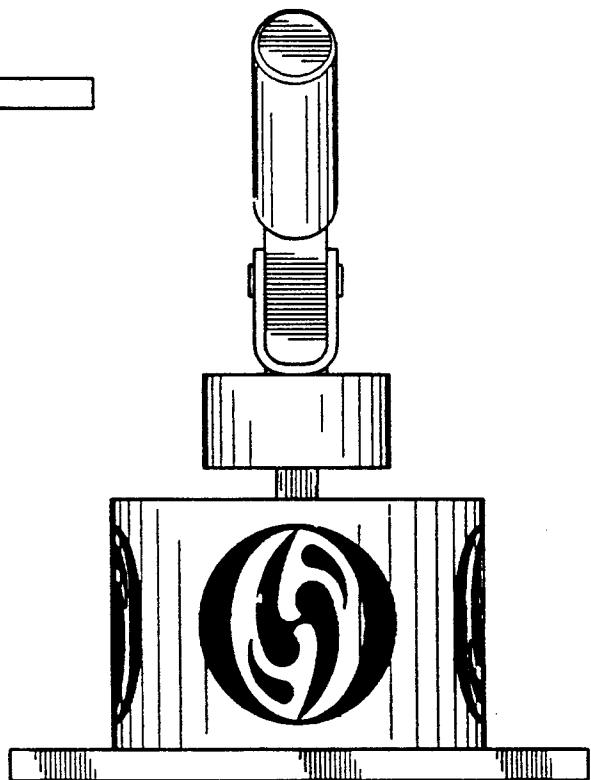


FIG. 5

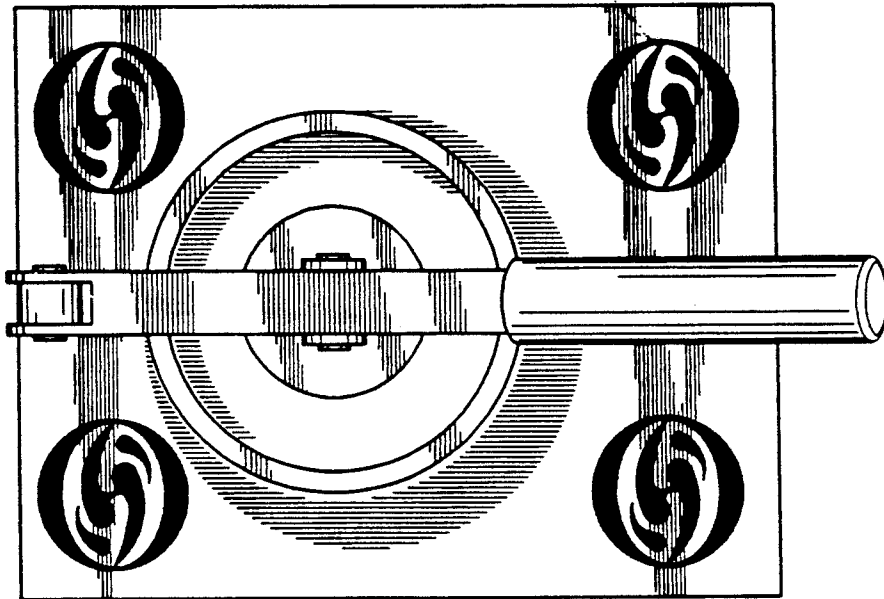


FIG. 6

