

(19) World Intellectual Property Organization
International Bureau



(43) International Publication Date
26 May 2006 (26.05.2006)

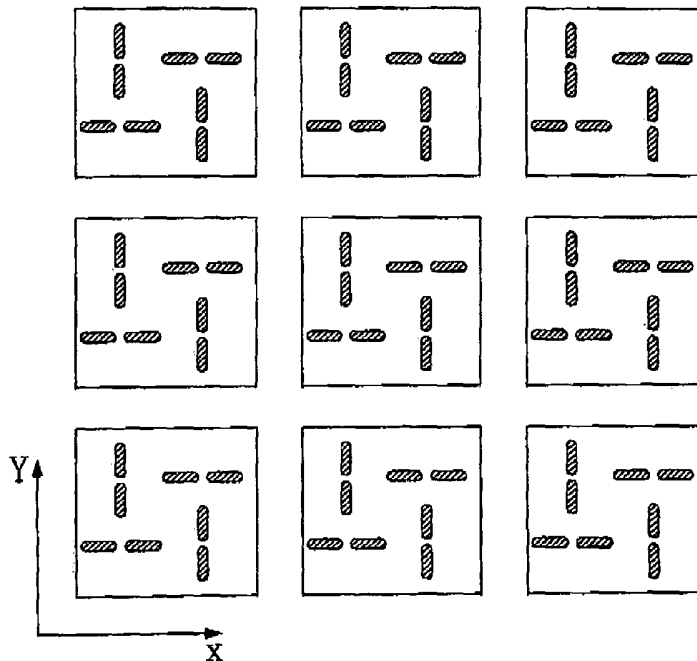
PCT

(10) International Publication Number
WO 2006/053436 A1

- (51) International Patent Classification:
H04B 3/32 (2006.01) H01R 13/646 (2006.01)
- (21) International Application Number:
PCT/CA2005/001753
- (22) International Filing Date:
17 November 2005 (17.11.2005)
- (25) Filing Language: English
- (26) Publication Language: English
- (30) Priority Data:
60/628,136 17 November 2004 (17.11.2004) US
2,487,760 17 November 2004 (17.11.2004) CA
- (71) Applicant (for all designated States except US): BELDEN
CDT (CANADA) INC. [CA/CA]; 2345, boul. Des
Sources, Pointe-Claire, Quebec H9R 5Z3 (CA).
- (72) Inventors; and
- (75) Inventors/Applicants (for US only): PELLETIER, An-
toine [CA/CA]; 1020 A, rue Thierry, Ville Lasalle, Quebec,
H8N 2Y6 (CA). MILETTE, Luc [CA/CA]; 1765 Poth-
ier, Montreal, Quebec H2C 1N3 (CA). BOHBOT, Michel
[CA/CA]; 6535 Chemin Baily, Montreal, Quebec H4V 1A1
- (74) Agents: DUBUC, J. et al.; Goudreau Gage Dubuc, Stock
Exchange Tower, 800 Place Victoria, Suite 3400, P.O. bOX
242, Montreal, Quebec H4Z 1E9 (CA).
- (81) Designated States (unless otherwise indicated, for every
kind of national protection available): AE, AG, AL, AM,
AT, AU, AZ, BA, BB, BG, BR, BW, BY, BZ, CA, CH, CN,
CO, CR, CU, CZ, DE, DK, DM, DZ, EC, EE, EG, ES, FI,
GB, GD, GE, GH, GM, HR, HU, ID, IL, IN, IS, JP, KE,
KG, KM, KN, KP, KR, KZ, LC, LK, LR, LS, LT, LU, LV,
LY, MA, MD, MG, MK, MN, MW, MX, MZ, NA, NG, NI,
NO, NZ, OM, PG, PH, PL, PT, RO, RU, SC, SD, SE, SG,
SK, SL, SM, SY, TJ, TM, TN, TR, TT, TZ, UA, UG, US,
UZ, VC, VN, YU, ZA, ZM, ZW.
- (84) Designated States (unless otherwise indicated, for every
kind of regional protection available): ARIPO (BW, GH,
GM, KE, LS, MW, MZ, NA, SD, SL, SZ, TZ, UG, ZM,
ZW), Eurasian (AM, AZ, BY, KG, KZ, MD, RU, TJ, TM),
European (AT, BE, BG, CH, CY, CZ, DE, DK, EE, ES, FI,
FR, GB, GR, HU, IE, IS, IT, LT, LU, LV, MC, NL, PL, PT,
RO, SE, SI, SK, TR), OAPI (BF, BJ, CF, CG, CI, CM, GA,
GN, GQ, GW, ML, MR, NE, SN, TD, TG).

[Continued on next page]

(54) Title: CROSSTALK REDUCING CONDUCTOR AND CONTACT CONFIGURATION IN A COMMUNICATION SYSTEM



(57) Abstract: There is disclosed conductor and connector configurations for use in communications systems which take advantage of the orientation and positioning of adjacent balanced pairs of conductors to reduce cross talk. These conductor and connector configurations may be used to reduce cross talk between adjacent balanced pairs of a single transmission path, or to reduce alien cross talk between adjacent balanced pairs located in different transmission paths.

WO 2006/053436 A1



Published:

- with international search report
- with amended claims and statement

For two-letter codes and other abbreviations, refer to the "Guidance Notes on Codes and Abbreviations" appearing at the beginning of each regular issue of the PCT Gazette.

- 1 -

TITLE OF THE OF THE INVENTION

CROSSTALK REDUCING CONDUCTOR AND CONTACT CONFIGURATION
IN A COMMUNICATION SYSTEM

BACKGROUND TO THE INVENTION

[001] The present invention relates to a crosstalk reducing conductor and contact configuration in a communication system. In particular, the present invention relates to positioning emitting a receiving conductive paths in a communication system in order to reduce NEXT, FEXT, Alien NEXT, Alien FEXT and increase Signal to Noise Ratio (SNR).

BACKGROUND OF THE INVENTION

[002] Assemblies for transmitting telecommunications signals at high frequencies via twisted pairs of conductors currently use a variety of means, such as shielding and the like to ensure that the interference (such as Alien NEXT) between adjacent cables and connectors in a system is minimised. These prior art systems typically suffer from the drawback that the reduction in Alien NEXT between adjacent cables and connectors is insufficient for data transfers at and above 10 gigabits per second. In particular, existing designs for ports (or jacks) are sufficient to achieve only about a 55dB SNR, which is insufficient to meet the proposed 70dB SNR necessary for the proposed 10gig development standard.

SUMMARY OF THE INVENTION

[003] In order to overcome the above and other drawbacks there is provided a method for reducing cross talk between first and second cables in a data transmission system, each of the cables comprised of a pair of conductors. The method comprises the steps of providing a first contact interconnected with a first conductor of the pair of conductors of the first cable, wherein the first contact emits a first signal, providing a pair of contacts, each of the pair of

- 2 -

contacts interconnected with a different conductor of the pair of conductors of the second cable, and positioning the first contact relative to the pair of contacts such that an amplitude of the signal received at one of the second pair of contacts is substantially the same as an amplitude of the signal received at another of the second pair of contacts.

[004] There is also provided a method for reducing cross talk between first and second cables in a data transmission system, each of the cables comprised of a pair of conductors. The method comprises the steps of providing a pair of contacts, each of the pair of contacts interconnected with a different conductor of the pair of conductors of the first cable, wherein one of the pair of contacts emits a first signal which is substantially an inverse of a second signal emitted by another of the pair of contacts, providing at least one first contact interconnected with one of the pair of conductors of the second cable, and positioning the pair of contacts relative to the first contact such that an amplitude of the first signal received by the first contact is substantially opposite to an amplitude of the second signal received by the first contact.

[005] Furthermore, there is provided an assembly for terminating first and second cables in a telecommunications system, each of the cables comprising first and second conductors, the assembly comprising a first contact interconnected with the first conductor of the first cable, wherein the first contact emits a first signal, and a pair of contacts interconnected with a respective one of the first and second conductors of the second cable. The first contact is positioned relative to the pair of contacts such that an amplitude of the first signal received at one of the pair of contacts is substantially the same as an amplitude of the first signal received at another of the pair of contacts.

[006] Additionally, there is provided an assembly for terminating first and second cables in a telecommunications system, each of the cables comprising a pair of conductors, the assembly comprising a pair of contacts interconnected with the pair of conductors of the first cable, wherein one of the pair of contacts emits a first signal which is substantially an inverse of a

- 3 -

second signal emitted by another of the pair of contacts, and a first contact interconnected with a first conductor of the pair of conductors of the second cable. The pair of contacts is positioned relative to the first contact such that an amplitude of the first signal received by the first contact is substantially opposite to an amplitude of the second signal received by the second contact.

[007] There is also provided an assembly for terminating first and second cables in a telecommunications system, each of the cables comprising a pair of conductors, the assembly comprising a first substantially flat contact interconnected with one of the pair of conductors of the first cable, and a second substantially flat contact interconnected with one of the pair of conductors of the second cable, wherein the first contact is arranged at right angles to the second contact.

[008] Additionally, there is provided an assembly for terminating first and second cables in a telecommunications system, each of the cables comprising a pair of conductors, the assembly comprising a first contact interconnected with one of the pair of conductors of the first cable, and a pair of contacts interconnected with a respective one of the pair of conductors of the second cable, the pair of contacts positioned symmetrically about the first contact.

[009] Also, there is provided a connector for terminating a cable comprising first and second pairs of conductors, the connector comprising a first contact interconnected with a conductor of the first pair of conductors, and a pair of contacts interconnected with a respective one of the second pair of conductors, the pair of contacts positioned symmetrically about the first contact.

[010] Furthermore, there is also provided a connector for terminating a cable comprising first and second pairs of conductors, the connector comprising a first substantially flat contact interconnected with a conductor of the first pair of conductors, and a second substantially flat contact interconnected with a

- 4 -

first conductor of the second pair of conductors, the first flat contact substantially at right angles to the second flat contact.

[011] Additionally, there is provided a method for reducing cross talk in a data transmission system. The method comprises the steps of providing a first transmission path comprised of at least one conductor, the first conductor emitting a signal, providing a second transmission path comprised of a second pair of conductors, positioning the first conductor relative to the second pair of conductors such that an amplitude of the signal received at one of the second pair of conductors is substantially the same as an amplitude of the signal received at another of the second pair of conductors.

[012] There is also provided a method for reducing cross talk in a data transmission system. The method comprises the steps of providing a first transmission path comprised of a first conductor, providing a second transmission path comprised of pair of conductors, wherein one of the pair of conductors emits a first signal which is substantially an inverse of a second signal emitted by another of the pair of conductors, and positioning the pair of conductors relative to the first conductor such that an amplitude of the first signal received by the first conductor is substantially opposite to an amplitude of the second signal received by the first conductor.

[013] Additionally, there is provided an assembly for transmitting data comprising a first transmission path comprised of a first conductor, the first conductor emitting a first signal, and a second transmission path comprised of a pair of conductors. The first conductor is positioned relative to the pair of conductors such that an amplitude of the first signal received at one of the pair of conductors is substantially the same as an amplitude of the first signal received at another of the pair of conductors.

[014] There is furthermore provided an assembly for transmitting data comprising a first transmission path comprised of a first conductor, and a second transmission path comprised of pair of conductors, wherein one of the pair of conductors emits a first signal which is substantially an inverse of a

- 5 -

second signal emitted by another of the pair of conductors, wherein said first conductor is positioned relative to the pair of conductors such that an amplitude of the first signal received by the first conductor is substantially opposite to an amplitude of the second signal received by the first conductor.

[015] There is also provided a data transmission cable comprising a first conductor, a pair of conductors arranged in parallel to the first conductor, and a cable jacket surrounding the first conductor and the pair of conductors. A distance between the first conductor and each of the pair of conductors is substantially the same.

[016] There is also provided a data transmission cable comprising first pair of parallel conductors aligned on a first plane, and a second pair of conductors aligned on a second plane. The first plane is substantially at right angles to the second plane and the first plane intersects the second plane along an axis substantially between the second pair of conductors.

[017] Additionally, there is provided a separator spline for separating pairs of conductors in a communication cable, the spline comprising an elongate main portion having four sides, and a conductive pair receiving slot moulded lengthwise in each side of the main portion. The moulded main portion has a cross shaped transverse cross section.

BRIEF DESCRIPTION OF THE DRAWINGS

[018] Figures 1A through 1C provide transverse cross sectional views of conductors in accordance with an illustrative embodiment of the present invention;

[019] Figures 2A and 2B provide transverse cross sections of emitting and receiving conductors in accordance with an illustrative embodiment of the present invention;

- 6 -

[020] Figures 3A through 3C provide transverse cross sections of conductor configurations in accordance with an alternative and first and second illustrative embodiments of the present invention;

[021] Figures 4A and 4B provide transverse cross sections of cable configurations in accordance with third and fourth alternative illustrative embodiments of the present invention;

[022] Figure 5 provides a side perspective view of a connector jack and cable in accordance with a fifth alternative illustrative embodiment of the present invention;

[023] Figure 6 provides a side plan view of a twisted pair cable connected to the connector jack rear panel of Figure 5;

[024] Figure 7 schematically illustrates the general electromagnetic radiation pattern generated by a standard Insulation Displacement Connector (IDC) in the presence of an electric potential;

[025] Figures 8A and 8B schematically illustrate connector configurations for reduced ANEXT and AFEXT in accordance with sixth and seventh alternative illustrative embodiments of the present invention;

[026] Figure 9 schematically illustrates alternative balanced pair configurations for reduced crosstalk in accordance with a series of alternative illustrative embodiments of the present invention;

[027] Figure 10 schematically illustrates alternative connector or port configurations for reduced crosstalk in accordance with a series of alternative illustrative embodiments of the present invention; and

[028] Figure 11 schematically illustrates a possible periodic connector configuration for reduced ANEXT and AFEXT in accordance with an illustrative embodiment of the present invention.

DETAILED DESCRIPTION OF THE ILLUSTRATIVE EMBODIMENTS

[029] Referring now to Figure 1A, as known in the art, as a signal (not shown) propagates along a first conductor 2 (viewed in transverse cross section in Figure 3) the time varying currents within the conductor give rise to an electromagnetic field (or signal) 4 in the free space surrounding the conductor 6, that is the first conductor 2 acts in a fashion similar to a transmitting antenna. Additionally, placing a second 6 conductor within this electromagnetic field 4 induces time varying currents within the second conductor 6, or in other words this second conductor 6 acts in a fashion similar to a receiving antenna (in other words, the second conductor 6 is coupled to the first conductor 2).

[030] Referring now to Figure 1B, in telecommunications systems, where signals are typically transmitted along transmission paths comprised of one or more pairs of conductors as in 8, 10 (again viewed in transverse cross section) the induction of time varying currents by the conductors of a first pair 8 in the conductors of the second pair 10 arises as noise on the signals being transmitted along the second pair 10, with a similar effect occurring in the opposite direction due to the signals being transmitted along the second pair 10. In high speed implementations, and as will be understood by a person of ordinary skill in the art, this noise can have a significant negative impact on the quality of the transmitted signals. Removal or reduction of this noise leads to a decrease in error rates and an increase in data throughput.

[031] Still referring to Figure 1B, as the coupling effect between transmission paths is much more acute for conductors which are arranged in parallel conductors in cables are typically twisted with different twist lays in order to reduce the probability that conductors of different pairs will be arranged in parallel thereby leading to a reduction in this coupling effect. In particular implementations, however, for example at connector interfaces, on Printed Circuit Boards (PCBs) or in flat cables, the conductors typically run in parallel

- 8 -

over a discrete distance which gives rise to an increased coupling between conductors.

[032] Referring now to Figure 1C, this coupling effect can be further exacerbated, in cases where an emitting conductor 12 comprises a substantially flat transverse cross section, as a parasitic signal 14 generated by signals propagating along the conductor 12 is emitted in a concentrated region generally perpendicular to the long surfaces 16 of the flat conductor 12. As a result, a second conductor 18 which finds itself located opposite one of the long surfaces 16 will be subjected to an increased parasitic signal 14. On the other hand, a third conductor 20 located outside of the main lobe of the parasitic signal 14 will be subject to a reduced electromagnetic field with a subsequent reduction in the coupling effect and noise induced by signals propagating along the flat conductor 12.

[033] In order to combat the effects of parasitic electrical fields (or signals) emitted by a conductor, a number of strategies can be used. Referring now to Figure 2A, as known in the art balanced pairs of conductors 22 are used to propagate differential signals, with a first conductor 24 propagating a signal which is essentially the inverse of a signal propagated by a second conductor 26. These inverse signals give rise to first and second differential parasitic signals 28 and 30 being emitted by the conductors 24, 26. As a result, a third conductor 32 positioned in parallel and adjacent to the balanced pair 22 will receive the differential parasitic signals 28 and 30. By positioning the third conductor 32 such that the strengths (power) of the first parasitic signal 28 and the second parasitic signal 30 as received by the third conductor 32 are substantially the same, for example by placing the third conductor 32 such that the conductors 24, 26 are symmetrical about the third conductor 32 (or in other words by placing the third conductor 32 such that it is equidistant to either of the conductors 24, 26), the amplitudes of the received first and second parasitic signals 28, 30 at any point in time will be opposite, giving rise to a cancelling effect in the third conductor 32. A similar effect will arise in a fourth conductor 34 (positioned in parallel and adjacent to the balanced pair

- 9 -

22) which is also positioned such that the strengths received first and second parasitic signals 28, 30 are substantially the same.

[034] Referring now to Figure 2B, in the reverse case to the case described in reference to Figure 2A, the differential signals propagated by a first balanced pair 36 comprised of a first conductor 38 and a second conductor 40 give rise to first and second parasitic signals 42, 44 being emitted by the conductors 38, 40. Once again, third and fourth conductors 46, 48 which are arranged in parallel to the first and second conductors 38, 40 receive these parasitic signals 42, 44. Provided the third and fourth conductors 46, 48 are of the same balanced pair 50, by positioning the third and fourth conductors 46, 48 such that the received strength of the first parasitic signal 42 is the same at both the third and fourth conductors 46, 48, and the received strength of the second parasitic signal 44 is the same at both the third and fourth conductors 46, 48, only common mode noise will be introduced onto the third and fourth conductors 46, 48. Given the balanced nature of the balanced pair 50, common mode noise is compensated for.

[035] The above generally described configurations can be taken advantage of in a number of implementations, some of which are described hereinbelow, in particular in the cases of transmission paths within cables and on PCBs and through connector interface assemblies. Of note is that the above generally described configurations can be taken advantage either within a transmission path (for example in a transmission cable comprised of four balanced pairs of conductors), in order to reduce cross talk such as NEXT and FEXT, or between transmission paths (such as between adjacent connectors terminating different cables each comprised of four pairs of conductors), in order to reduce Alien cross talk such as ANEXT and AFEXT.

[036] In applications such as flat cables, the conductors run generally in parallel along the length of the cable and as a result the potential for adverse generation of parasitic signals between conductors is increased. Referring now to Figure 3A, a cable 52 (viewed in transverse cross section) in accordance with an illustrative embodiment of the present invention

- 10 -

comprises four (4) balanced pairs of conductors as in 54. As will be apparent from Figure 3A, the conductors as in 56 of adjacent balanced pairs as in 54 are oriented such that the noise induced by the conductor(s) of one balanced pair on the conductor(s) of an adjacent balanced pair is either differential and effectively cancelled, or common and thus is compensated for.

[037] Referring to Figure 3B, in an alternative illustrative embodiment of a cable 52 (again viewed in transverse cross section) in accordance with the present invention, this effect can be further enhanced by providing conductors as in 56 having an elongate transverse cross section, and ensuring that the conductors as in 56 of a first balanced pair are arranged such that they are not within the main lobe of the parasitic signals emitted by the conductor(s) of an adjacent balanced pair. In this regard, as the main lobe of the emitted parasitic signals is located generally in front of a long transverse surface as in 58, it generally suffices to ensure that the conductors of an adjacent balanced pair are not intersected by a line 60 which is perpendicular (or normal) to the long transverse surface(s) of a conductor of an adjacent balanced pair.

[038] Referring now to Figure 3C, a PCB 62 (viewed in transverse cross section) in accordance with in a second illustrative embodiment of the present invention is shown. A similar effect can be applied in the case of the PCB 62 by arranging balanced pairs of conductors as in 64, each comprised of typically two (2) conductive traces as in 66 etched in the PCB 62, such that the noise induced by the conductor(s) of one balanced pair on the conductor(s) of an adjacent balanced pair is either differential and effectively cancelled, or common and compensated for. Similarly, as the conductive traces are typically flat (or rectangular), further improvements can be obtained by ensuring that the conductive traces as in 66 of an adjacent balanced pair are not intersected by a line 68 which is perpendicular (or normal) to the long transverse surface(s) as in 70 of a conductive trace 66 of an adjacent balanced pair. Of note is that the PCB 62 as disclosed in Figure 3C is a multilayer PCB comprised of a first layer 72 bonded to a second layer 74, thereby allowing conductive traces as in 66 to be applied along a centre line 76 between the first and second layers 72, 74.

- 11 -

[039] Referring now to Figure 4A, in a third illustrative embodiment of the present invention, an approach similar to the one described hereinabove can be used to reduce cross talk in a cable 78 (again viewed in transverse cross section) where the balanced pairs 80₁, 80₂, 80₃, 80₄ of conductors as in 82 are arranged around a central cable axis 84 and all conductors as in 82 are in parallel. In this regard, the conductors as in 82 are oriented such that the noise induced by the conductors as in 82 of a first balanced pair 80₁ on the conductors as in 82 of an adjacent balanced pair 80₂ or 80₄ is either differential (as in the case of the conductors of balanced pair 80₄) and effectively cancelled, or common (as in the case of the conductors of balanced pair 80₂) and compensated for. A similar effect will be noted for other adjacent balanced pairs. Of note is that the conductors as in 82, although all in parallel, may be stranded around the axis 84 such that they follow a helical (or winding) path along the length of the cable 78.

[040] Referring now to Figure 4B, a cable 86 (again viewed in transverse cross section) comprised of four balanced pairs 88₁, 88₂, 88₃, 88₄ of conductors as in 90 and in accordance with a fourth illustrative embodiment of the present invention is shown. The conductors as in 90, all running substantially in parallel, are positioned relative to one other about a central axis 92 of the cable 86 such that the noise induced by the conductors of a first balanced pair such as pair 88₁ on the conductors of adjacent balanced pairs 88₂ or 88₄ is either differential (as in the case of the conductors of balanced pair 88₄) and effectively cancelled, or common (as in the case of the conductors of balanced pair 88₂) and compensated for. A similar effect will be noted for other adjacent balanced pairs. Additionally, in order to improve performance, the conductors as in 90 are of substantially rectangular (or elongate) transverse cross section, each having two long surfaces as in 94, with the long surfaces of the conductors as in 90 of a given balanced pair 88₁, 88₂, 88₃ or 88₄ lying in the same plane when viewed in transverse cross section. The conductors as in 90 of a given balanced pair are oriented such that their long surfaces as in 94 are substantially at right angles to the long surfaces as in 94 of conductors as in 90 of an adjacent balanced pair.

- 12 -

[041] Still referring to Figure 4B, each of the four balanced pairs 88₁, 88₂, 88₃, 88₄ of conductors as in 90 is manufactured by encasing the conductors as in 90 within an insulation as in 96. The insulation as in 96 as illustrated is of substantially rectangular (or elongate) transverse cross section and is supported, in order to maintain the positioning of the balanced pairs, by a separator spline 98, typically manufactured from a pliable non-conductive insulating material such as plastic, having a substantially ylfot cross shaped transverse cross section. Additionally, although the individual conductors as in 90 all run in parallel, together with the spline 98 the conductors are typically stranded about the axis 92 such that they follow a helical, or winding, path along the length of the cable 86. Also, the assembly comprised of the spline 98 and the four balanced pairs 88₁, 88₂, 88₃, 88₄ of conductors as in 90 would also typically be covered by a cable jacket (not shown).

[042] Referring now to Figure 5, a connector assembly, generally referred to using the numeral 100, and in accordance with a fifth illustrative embodiment of the present invention, will now be described. The connector assembly 100 generally refers to modular data transmission connectors having differential (balanced) transmission pairs (usually four (4) pairs). The connector 100 (or jack) provides an interface between two cables; a first cable (not shown) is usually terminated by a plug (also not shown), while a second cable, hereinafter referred to as connector cable 102, connects to the back panel 104 of connector 100, typically through a series of Insulation Displacement Connectors (IDCs) 106, or other connection means of the like.

[043] Referring now to Figure 6 in addition to Figure 5, the connector cable 102 comprises four (4) twisted pairs of conductors 108 contained within an insulating cable jacket 110. As the pairs emerge from jacket 110, they are separated and guided through wire pair guide 112 to respective individual wire connector ports 114, both of which are part of the connector rear panel 104. Ideally, the twisted pairs 108 remain tightly twisted all the way through the wire pair guide 112 in order to minimize induced parasitic capacitances between single wires. The wire pair guide 112, as well as connector port 114,

- 13 -

are typically manufactured from an insulating material which provides adequate insulation and shielding between the pairs as they emerge from cable jacket 110, and subsequently between individual conductors of the pairs 108 when they are terminally inserted into the individual connector ports 114.

[044] Still referring to Figures 5 and 6, an appropriate set of IDCs 106, or other similar connection means generally comprising a bifurcated end 116 for electrically connecting with individual contact wires 118, and an elongated end 120 for electrically connecting with appropriate jack circuit means, briefly described hereinbelow, reach through the connector ports 114 to make contact with the individual wires 118 of connector cable 102. The signals, transmitted through the IDCs 106 from the individual wires 118, are subsequently brought to a respective one of a plurality of connector blades as in 122 of the jack (for example, an RJ-45 jack) by appropriate jack circuit means for connection with, and transmission to, an appropriate cable plug (not shown). Such a jack circuit means may include a variety of electrical components, such as wires, printed circuit boards (PCB), flexible printed circuit boards (Flex PCB), or any combination thereof. In the illustrated embodiment, the IDCs connect directly to a Flex PCB (not shown) through the elongated IDC ends 120 and a connecting material such as conductive solder (also not shown). The Flex PCB brings the transmitted signals directly to the connector blades 122 through a circuit printed thereon, which may be designed, if needed, to include various compensation capacitors that counter-balance parasitic reactances induced between the parallel connector blades 122.

[045] Still referring to Figures 5 and 6, at the connector cable 102 end of the connector assembly 100, the IDCs 106 generally induce a certain amount of crosstalk between each other, either within a same connector (NEXT: Near End Crosstalk, FEXT: Far End Crosstalk), or between two adjacent connectors closely positioned together (AFEXT: Alien FEXT, ANEXT: Alien NEXT), which can significantly reduce the quality of the signals transmitted through the connector. As a matter of fact, since the creation of augmented Category 6 cabling requirements (generally referred to by those of skill in the

- 14 -

art as Cat. 6e), crosstalk between two different channels (ANEXT and AFEXT) has become far more significant. Furthermore, the constant search for higher density and higher bandwidth (500MHz, compared to 100MHz for Cat. 5e) increases the impact of both ANEXT and AFEXT. Consequently, balancing methods and configurations are presented hereinbelow, and in accordance with illustrative embodiments of the present invention to considerably reduce, if not eliminate, IDC crosstalk not only within a same connector but also between adjacent connectors, and thereby providing a means for complying with advancing industry standards.

[046] Referring now to Figure 7, the cable-connector interfaces in the aforementioned systems are typically provided by IDC type connections. Generally, an IDC is made from a small metal conducting plate, figuratively illustrated in Figure 7 as a substantially flat rectangle when viewed in transverse cross section, which can act as an emitting antenna in the presence of an electric potential. As discussed in detail hereinabove, a neighbouring, or adjacent IDC may act as a receiving antenna, and thus be affected (or coupled) by the parasitic signal provided by the emitting IDC. Accordingly, the parasitic signal emitted by the disturbing or emitting IDC pair 124 will emit a signal 126 which will be radiated outward in a direction primarily at right angles to a long surface 128, much like a typical antenna, generally following the illustrated radiation pattern 126. The disturbed or receiving IDC pair 130 will thus be affected by the radiated signal 126, and thus be a victim to crosstalk. Furthermore, a first disturbed IDC 132 is located closer to the emitting IDC pair 124 than a second disturbed IDC 134, and as a result the coupling effect will be greater for the first disturbed IDC 132 than the second disturbed IDC 134. Additionally, but of lesser effect, the first disturbed IDC 132 will act as a partial shield to the second disturbed IDC 134. Consequently, the parasitic signal induced by the emitting IDC pair 124 on the former will be stronger than the one induced on the latter, generating significant, and generally undesirable, differential mode noise on the receiving pair 130.

- 15 -

[047] Accordingly, referring now to Figures 8A and 8B, and in accordance with sixth and seventh alternative illustrative embodiments of the present invention, two novel connector configurations generally represented by respective numerals 136 and 138 will now be described. The configurations 136 and 138 present important improvements over the parallel configuration illustrated in Figure 7. Namely, the contacts of adjacent pairs (first or nearest neighbour pairs in both in X and Y) are perpendicularly oriented such that the adjacent pair does not lie directly within the main lobes of the signals emitted by the other pair, and vice-versa. This is applicable to both adjacent pairs within the same connector as well as adjacent pairs in adjacent connectors. Furthermore, the residual irradiated signal affecting adjacent pairs will either be symmetrically irradiated to both contacts of such pairs, at worst generating common mode noise of minimal importance, or will be irradiated such that the parasitic signal from one contact will be self-balanced by the parasitic signal of the second contact, thus generating no significant resultant noise.

[048] More specifically considering the embodiment illustrated in Figure 8A, and in line with the general discussion hereinabove, the interaction between first contact pair 140 and second contact pair 142 of a first connector 144 and first contact pair 146 and second contact pair 148 of a second connector 150 can be examined more closely. If the effect of the individual contacts 152, 154 of the first contact pair 140 of the first connector 144, illustratively and respectively characterized as positive (+) and negative (-) to reflect the differential nature of the propagated signal, on the individual contacts 156, 158 of the first contact pair 146 of the second connector 150 is studied, it can be observed that the parasitic signal induced by the positive contact 152 on both contacts 156, 158 of the first contact of the second connector 150 pair 146 will be counterbalanced by the parasitic signal induced by the negative contact 154 on the same contacts 156, 158. Furthermore, since the contacts of pair 146 are at least substantially perpendicular to the contacts of pair 140, their exposure to parasitic radiation from the latter will be minimized, as discussed hereinabove.

- 16 -

[049] Still referring to Figure 8A, if the effect of the second contact pair 142 of the first connector 144 on the second contact pair 148 of the second connector 150 is studied, it can be observed that a parasitic signal radiated by a first contact 160 or a second contact 162 will symmetrically irradiate both contacts as in 164, 166 of the second contact pair 148 of the second connector 150, thus giving rise to common mode noise. A similar effect arises in reference to the other of the first and second contacts 160 or 162 which, as it is a differential signal, will tend to cancel to some degree the parasitic signal received by the contacts 164, 166. However, as contact 160 is located closer to than contact 162 to the contacts 164, 166 of the second contact pair 148 of the second connector 150, the strength of the received parasitic signal emitted by the first contact 160 will be greater than the received parasitic signal emitted by the second contact 162, thereby giving rise to common mode noise. Additionally, as contact 160 tends to shield contact 162 some common mode noise will still be induced into the contacts 164, 166. However, as discussed above, such common mode noise will be compensated for.

[050] Referring now to Figure 8B, by orienting the contacts as in 168 of a first balanced pair 170 such that they are perpendicular and symmetrical to the contacts 172 of a second balanced pair 174 parasitic signals emitted by one or other of the contacts as in 168 of the first balanced pair 170 will be received as common mode noise on either of the contacts 172 of the second balanced pair 174 and therefore compensated for. The same effect arises between the contacts of adjacent balanced pairs on the same connector as well as, as shown, between the contacts of adjacent balanced pairs on different connectors.

[051] Physical and mechanical constraints can sometimes limit the potential for perfect crosstalk cancellation, for example by limiting the perpendicularity of adjacent contact pairs, or again by imposing certain asymmetries between the pairs, thus reducing the effectiveness of a symmetric parasitic radiation exposure and limiting the possibility of complete parasitic signal balancing. However, although such constraints may exist, significant improvements may still be attained with the general application of the above configuration

- 17 -

guidelines, namely increased perpendicularity between adjacent or first neighbour contact pairs, and optimised symmetry, if not also complete balancing, of parasitic radiation between them.

[052] Referring now to Figure 9, and in accordance with a series of alternative illustrative embodiments of the present invention viewed in transverse cross section, pair configurations designated (a) through (h) to be considered for crosstalk and alien crosstalk reduction between substantially flat contacts terminating balanced pairs will now be described. The first pair configuration (a) is that as utilised in the connector configuration 136 of Figure 8A. The other pair configurations provide a series of examples for reducing crosstalk between pairs, while not necessarily abiding by all of the aforementioned configuration guidelines. For example, (g) and (h) reduce crosstalk between pairs by their perpendicularity alone, whereas (a) and (e) provide reduced crosstalk based on both their mutual perpendicularity and irradiation symmetry. (c), which illustrates a staggered rather than perpendicular configuration, provides reduced crosstalk based on both irradiation symmetry between the pairs and a full balance of induced parasitic signals. (b) combines all three guidelines providing perpendicularity, symmetry and balance.

[053] Concurrently, similar pair configurations can be utilised in a full connector or port configuration to reduce crosstalk in both planar directions (X and Y). Referring now to Figure 10, and in accordance with a further series of alternative embodiments of the present invention, connector or port configurations will now be described. In the first two port configurations, designated (a) and (b), the same configurations 136 and 138 respectively illustrated in Figures 8A and 8B are found, which provide both perpendicularity between pairs and substantially symmetric parasitic signal emission. Configurations (c), (d) and (e) all provide perpendicularity between adjacent pairs in both X and Y but limited symmetry, whereas configuration (f) provides perpendicularity, symmetry and balance for all adjacent pairs in X and Y. Consequently, all of the above port configurations may be considered to reduce crosstalk between pairs within a same connector.

- 18 -

[054] Accordingly, with added reference to Figure 11 in conjunction with Figure 10, and in accordance with an illustrative embodiment of the present invention, configurations (a) through (f) presented in Figure 10 may be utilised to reduce alien crosstalk between adjacent connectors. Namely, the panel configuration of Figure 11 illustrates a two-dimensionally periodic configuration (in X and Y) of contact pairs that both reduces pair-to-pair crosstalk within a same connector, but also between connectors through perpendicularity and symmetry of parasitic signal emission between adjacent balanced pairs both within and between connectors. As it will now be apparent to a person skilled in the art, the use of other such configurations, as sampled from the examples illustrated in Figure 10, can lead to similar results.

[055] Though the advantages of such configurations have been discussed and illustrated as pertaining to connector assembly wire port configurations, it will now be apparent to a person skilled in the art that such configurations can also be useful in the design of other data transmission products such as PCBs, cables, connector boards, and other items of the like.

[056] While this invention has been described with reference to the illustrative embodiments, this description is not intended to be construed to a limiting sense. Various modifications or combinations of the illustrative embodiments, as well as other embodiments of the invention, will be apparent to persons skilled in the art upon reference to the description. It is therefore intended that the described invention encompass any such modifications or embodiments.

WE CLAIM:

1. A method for reducing cross talk between first and second cables in a data transmission system, each of the cables comprised of a pair of conductors, the method comprising the steps of:

providing a first contact interconnected with a first conductor of the pair of conductors of the first cable, wherein said first contact emits a first signal;

providing a pair of contacts, each of said pair of contacts interconnected with a different conductor of the pair of conductors of the second cable; and

positioning said first contact relative to said pair of contacts such that an amplitude of said first signal received at one of said second pair of contacts is substantially the same as an amplitude of said first signal received at another of said second pair of contacts.

2. The method of Claim 1, further comprising the steps of providing a second contact interconnected with a second conductor of the pair of conductors of the first cable and wherein said second contact emits a second signal, and positioning said second contact relative to said pair of contacts such that an amplitude of said second signal received at one of said second pair of contacts is substantially the same as an amplitude of said second signal received at another of said second pair of contacts.

3. The method of Claim 1, wherein each of said contacts is substantially flat and said positioning step comprises orienting said contacts such that a long surface of said first contact is perpendicular to a long surface of each of said pair of contacts.

4. The method of Claim 1, wherein said positioning step comprises placing said pair of contacts symmetrically about said first contact.

- 20 -

5. The method of Claim 1, wherein said positioning step comprises placing said first contact at the same distance from each of said pair of contacts.

6. The method of Claim 1, wherein each of said pair of contacts is substantially flat and said positioning step comprises placing said first contact such that a line normal to a long surface of either of said pair of contacts does not intersect said first contact.

7. The method of Claim 1, wherein each of the pair of conductors are twisted.

8. The method of Claim 1, wherein each of the pair of conductors are in parallel.

9. A method for reducing cross talk between first and second cables in a data transmission system, each of the cables comprised of a pair of conductors, the method comprising the steps of:

providing a pair of contacts, each of said pair of contacts interconnected with a different conductor of the pair of conductors of the first cable, wherein one of said pair of contacts emits a first signal which is substantially an inverse of a second signal emitted by another of said pair of contacts;

providing at least one first contact interconnected with one of the pair of conductors of the second cable; and

positioning said pair of contacts relative to said first contact such that an amplitude of said first signal received by said first contact is substantially opposite to an amplitude of said second signal received by said first contact.

10. The method of Claim 9, further comprising the steps of providing a second contact interconnected with a second conductor of the pair of conductors of the second cable and positioning said pair of contacts relative to said second contact such that an amplitude of said first signal received by

- 21 -

said second contact is substantially opposite to an amplitude of said second signal received by said second contact.

11. The method of Claim 9, wherein each of said contacts is substantially flat and said positioning step comprises orienting said contacts such that a long surface of said first contact is perpendicular to a long surface of either of said pair of contacts.

12. The method of Claim 9, wherein said positioning step comprises placing said pair of contacts symmetrically about said first contact.

13. The method of Claim 9, wherein said positioning step comprises placing said first contact at the same distance from each of said pair of contacts.

14. The method of Claim 9, wherein each of said contacts is substantially flat and said positioning step comprises placing said first contact such that a line normal to a long surface of either of said pair of contacts does not intersect said first contact.

15. An assembly for terminating first and second cables in a telecommunications system, each of the cables comprising first and second conductors, the assembly comprising:

a first contact interconnected with the first conductor of the first cable, wherein said first contact emits a first signal; and

a pair of contacts interconnected with a respective one of the first and second conductors of the second cable;

wherein said first contact is positioned relative to said pair of contacts such that an amplitude of said first signal received at one of said pair of contacts is substantially the same as an amplitude of said first signal received at another of said pair of contacts.

16. The assembly of Claim 15, further comprising a second contact interconnected with the second conductor of the first cable, wherein said

- 22 -

second contact emits a second signal, and wherein said second contact is positioned relative to said pair of contacts such that an amplitude of said second signal received at one of said pair of contacts is substantially the same as an amplitude of said second signal received at another of said pair of contacts.

17. The assembly of Claim 16, wherein said first and second contacts are substantially flat and wherein a long surface of said first contact is in parallel with a long surface of said second contact.

18. The assembly of Claim 17, wherein said long surface of said first contact is arranged opposite said long surface of said second contact.

19. The assembly of Claim 17, wherein said pair of contacts are substantially flat and further wherein said long surface of said first contact and said long surface of said second contact are at right angles to a long surface of either of said pair of contacts.

20. The assembly of Claim 15, wherein said contacts are disposed on a first surface of the assembly and further comprising a plurality sockets adapted to receive a cable plug moulded in a second surface thereof, a first and a second of said sockets comprising a plurality of connector blades disposed therein, one of said blades in said first socket interconnected with said first contact and a pair of blades in said second socket interconnected with a respective one of said pair of contacts.

21. The assembly of Claim 15, further comprising a patch panel and wherein said first contact is disposed on a first surface of a first modular connector and said pair of contacts are disposed on a first surface of a second modular connector, said connectors adapted for insertion into the patch panel.

22. The assembly of Claim 21, wherein said connectors are arranged side by side in said patch panel.

- 23 -

23. The assembly of Claim 21, wherein said connectors are arranged one on top of another in said patch panel.

24. The assembly of Claim 21, wherein each of said connectors further comprises a socket adapted to receive a cable plug moulded on a second surface thereof, each of said sockets having a plurality of connector blades disposed therein, one of said blades in said socket of said first connector interconnected with said first contact and a pair of blades in said socket of said second connector interconnected with a respective one of said second pair of contacts.

25. The assembly of Claim 21 or 24, wherein said modular connector is a modular jack.

26. The assembly of Claim 20, wherein each of the cables comprises four twisted pairs of conductors and wherein each of said sockets comprises eight blades disposed therein.

27. The assembly of Claim 20 or 24, wherein each of said sockets is adapted to receive an RJ-45 connector plug.

28. The assembly of Claim 15, wherein said pair of contacts are positioned symmetrically about said first contact.

29. The assembly of Claim 15, wherein said contacts are substantially flat and wherein said first contact is at right angles to said pair of contacts.

30. The assembly of Claim 29, wherein said flat pair of contacts are arranged in parallel.

31. The assembly of Claim 29, wherein said flat pair of contacts lie in the same plane.

- 24 -

32. The assembly of Claim 29, wherein said flat contacts are IDCs.

33. An assembly for terminating first and second cables in a telecommunications system, each of the cables comprising a pair of conductors, the assembly comprising:

a pair of contacts interconnected with the pair of conductors of the first cable, wherein one of said pair of contacts emits a first signal which is substantially an inverse of a second signal emitted by another of said pair of contacts; and

a first contact interconnected with a first conductor of the pair of conductors of the second cable;

wherein said pair of contacts is positioned relative to said first contact such that an amplitude of said first signal received by said first contact is substantially opposite to an amplitude of said second signal received by said second contact.

34. The assembly of Claim 33, further comprising a second contact interconnected with a second conductor of the pair of conductors of the second cable and wherein said pair of contacts is positioned relative to said second contact such that an amplitude of said first signal received by said second contact is substantially opposite to an amplitude of said second signal received by said second contact.

35. The assembly of Claim 34, wherein said first and second contacts are substantially flat and wherein a long surface of said first contact is in parallel with a long surface of said second contact.

36. The assembly of Claim 35, wherein said long surface of said first contact and said long surface of said second contact lie in the same plane.

37. The assembly of Claim 35; wherein said pair of contacts are substantially flat and further wherein said long surface of said first contact and

- 25 -

said long surface of said second contact are at right angles to a long surface of either of said pair of contacts.

38. An assembly for terminating first and second cables in a telecommunications system, each of the cables comprising a pair of conductors, the assembly comprising:

a first substantially flat contact interconnected with one of the pair of conductors of the first cable; and

a second substantially flat contact interconnected with one of the pair of conductors of the second cable, wherein said first contact is arranged at right angles to said second contact.

39. An assembly for terminating first and second cables in a telecommunications system, each of the cables comprising a pair of conductors, the assembly comprising:

a first contact interconnected with one of the pair of conductors of the first cable; and

a pair of contacts interconnected with a respective one of the pair of conductors of the second cable, said pair of contacts positioned symmetrically about said first contact.

40. The assembly of Claim 39, wherein said contacts are substantially flat, wherein said pair of contacts are in parallel and wherein said first contact is perpendicular to said pair of contacts.

41. The assembly of Claim 40, wherein said flat pair of contacts are aligned side by side.

42. The assembly of Claim 40, wherein said flat pair of contacts are positioned facing one another.

43. The assembly of Claim 40, wherein said contacts are IDCs.

- 26 -

44. A connector for terminating a cable comprising first and second pairs of conductors, the connector comprising:

a first contact interconnected with a conductor of the first pair of conductors; and

a pair of contacts interconnected with a respective one of the second pair of conductors, said pair of contacts positioned symmetrically about said first contact.

45. The connector of Claim 44, wherein said contacts are substantially flat, wherein said pair of contacts are in parallel and wherein said first contact is perpendicular to said pair of contacts.

46. The connector of Claim 45, wherein said flat pair of contacts are aligned side by side.

47. The connector of Claim 45, wherein said flat pair of contacts are positioned facing one another.

48. The connector of Claim 44, wherein said flat contacts are IDCs.

49. The connector of Claim 45, wherein said contacts are disposed on a first surface of the connector and further comprising a socket adapted to receive a cable plug moulded in a second surface thereof, said socket comprising a plurality of connector blades disposed therein and wherein each of said contacts is interconnected with a different one of said connector blades.

50. The connector of Claim 49, wherein the connector is modular and adapted for insertion into a patch panel.

51. The connector of Claim 49, wherein the cable comprises four twisted pairs of conductors and wherein each of said socket comprises eight blades disposed therein.

- 27 -

52. The connector of Claim 49 or 51, wherein said socket is adapted to receive an RJ-45 connector plug.

53. A connector for terminating a cable comprising first and second pairs of conductors, the connector comprising:

a first substantially flat contact interconnected with a conductor of the first pair of conductors; and

a second substantially flat contact interconnected with a first conductor of the second pair of conductors, said first flat contact substantially at right angles to said second flat contact.

54. The connector of 53, further comprising a third substantially flat contact aligned with said second flat contact, said third flat contact interconnected with a second conductor of the second pair of conductors and wherein said second and third contacts are arranged symmetrically about said first contact.

55. A method for reducing cross talk in a data transmission system, the method comprising the steps of:

providing a first transmission path comprised of at least one conductor, said first conductor emitting a signal;

providing a second transmission path comprised of a second pair of conductors;

positioning said first conductor relative to said second pair of conductors such that an amplitude of said signal received at one of said second pair of conductors is substantially the same as an amplitude of said signal received at another of said second pair of conductors.

56. The method of Claim 55, wherein each of said conductors comprises a conductive trace etched on a Printed Circuit Board (PCB).

57. The method of Claim 55, further comprising the step of surrounding said first and second transmission path with a cable housing.

- 28 -

58. The method of Claim 55, wherein said first transmission path further comprises a second conductor, said second conductor emitting a second signal, and further comprising the step of positioning said second conductor relative to said pair of conductors such that an amplitude of said second signal received at one of said second pair of contacts is substantially the same as an amplitude of said second signal received at another of said second pair of contacts.

59. The method of Claim 55, wherein said positioning step comprises placing said pair of conductors symmetrically about said first conductor.

60. The method of Claim 55, wherein said conductors are arranged in parallel.

61. The method of Claim 55, wherein said positioning step comprises placing said first conductor at the same distance from each of said pair of conductors.

62. The method of Claim 55, wherein each of said conductors comprises an elongate transverse cross section and said positioning step comprises placing said first conductor such that a line normal to a long surface of either of said pair of conductors does not intersect said first conductor.

63. The method of Claim 55, wherein each of said conductors comprises an elongate transverse cross section and said positioning step comprises orienting said conductors such that a long surface of said first conductor is perpendicular to a long surface of each of said pair of conductors.

64. A method for reducing cross talk in a data transmission system, the method comprising the steps of:

- 29 -

providing a first transmission path comprised of a first conductor,
providing a second transmission path comprised of pair of conductors,
wherein one of said pair of conductors emits a first signal which
is substantially an inverse of a second signal emitted by another
of said pair of conductors; and
positioning said pair of conductors relative to said first conductor such
that an amplitude of said first signal received by said first
conductor is substantially opposite to an amplitude of said
second signal received by said first conductor.

65. The method of Claim 64, wherein said first transmission path further comprises a second conductor, and further comprising the step of positioning said pair of conductors relative to said second conductor such that an amplitude of said first signal received by said second conductor is substantially opposite to an amplitude of said second signal received by said second conductor.

66. The method of Claim 64, wherein said positioning step comprises placing said pair of conductors symmetrically about said first conductor.

67. The method of Claim 64, wherein said conductors are arranged in parallel.

68. The method of Claim 64, wherein said positioning step comprises placing said first conductor at the same distance from each of said pair of conductors.

69. The method of Claim 64, wherein each of said conductors comprises an elongate transverse cross section and said positioning step comprises placing said first conductor such that a line normal to a long surface of either of said pair of conductors does not intersect said first conductor.

- 30 -

70. The method of Claim 64, wherein each of said conductors comprises an elongate transverse cross section and said positioning step comprises orienting said conductors such that a long surface of said first conductor is perpendicular to a long surface of each of said pair of conductors.

71. An assembly for transmitting data comprising:
a first transmission path comprised of a first conductor, said first conductor emitting a first signal; and
a second transmission path comprised of a pair of conductors;
wherein said first conductor is positioned relative to said pair of conductors such that an amplitude of said first signal received at one of said pair of conductors is substantially the same as an amplitude of said first signal received at another of said pair of conductors.

72. The assembly of Claim 71, wherein each of said conductors comprises a conductive trace on a Printed Circuit Board (PCB).

73. The assembly of Claim 71, wherein all of said conductors are in parallel.

74. The assembly of Claim 71, wherein each of said pair of conductors are substantially equidistant from said first conductor.

75. The assembly of Claim 71, wherein each of said conductors further comprises an outer insulating layer and wherein the assembly further comprises a cable jacket surrounding said conductors.

76. The assembly of Claim 71, wherein said first transmission path further comprises a second conductor, said second conductor emitting a second signal and wherein said second conductor is positioned such that an amplitude of said second signal received at one of said second pair of

- 31 -

conductors is substantially the same as an amplitude of said second signal received at another of said second pair of conductors.

77. The assembly of Claim 76, wherein said first and second conductors are in parallel.

78. The assembly of Claim 77, wherein said pair of conductors are in parallel and further wherein said first conductor is positioned between said second conductor and said pair of conductors.

79. An assembly for transmitting data comprising:
a first transmission path comprised of a first conductor; and
a second transmission path comprised of pair of conductors, wherein one of said pair of conductors emits a first signal which is substantially an inverse of a second signal emitted by another of said pair of conductors;
wherein said first conductor is positioned relative to said pair of conductors such that an amplitude of said first signal received by said first conductor is substantially opposite to an amplitude of said second signal received by said first conductor.

80. The assembly of Claim 79, wherein each of said conductors comprises a conductive trace on a Printed Circuit Board (PCB).

81. The assembly of Claim 79, wherein all of said conductors are in parallel.

82. The assembly of Claim 79, wherein each of said pair of conductors are substantially equidistant from said first conductor.

83. The assembly of Claim 79, wherein each of said conductors further comprises an outer insulting later and wherein the assembly further comprises a cable jacket surrounding said conductors.

- 32 -

84. The assembly of Claim 79, wherein said first transmission path further comprises a second conductor and further wherein said second conductor is positioned such that an amplitude of said first signal received at said second conductor is substantially opposite to an amplitude of said second signal received at said second conductor.

85. The assembly of Claim 84, wherein said first and second conductors are in parallel.

86. The assembly of Claim 85, wherein said pair of conductors are in parallel and further wherein said first conductor is positioned between said second conductor and said pair of conductors.

87. A data transmission cable comprising:
a first conductor;
a pair of conductors arranged in parallel to said first conductor; and
a cable jacket surrounding said first conductor and said pair of conductors;
wherein a distance between said first conductor and each of said pair of conductors is substantially the same.

88. The cable of Claim 87, further comprising a second conductor in parallel to said first conductor and surrounded by said cable jacket, wherein a distance between said second conductor and each of said pair of conductors is substantially the same.

89. The cable of Claim 88, wherein a distance between said first conductor and said second conductor is substantially the same as a distance between said pair of conductors.

90. The cable of Claim 87, further comprising a separator spline separating said first conductor from said pair of conductors.

- 33 -

91. The cable of Claim 87, wherein the cable is comprised of four pairs of parallel conductors and wherein said spline has a fyfot cross shaped transverse cross section.

92. The cable of Claim 87, wherein said conductors have a substantially flat transverse cross section and further wherein said first conductor is arranged at rights angles to said pair of conductors.

93. The cable of Claim 88, wherein said conductors have a substantially flat transverse cross section and further wherein said first and second conductors are arranged at rights angles to said pair of conductors.

94. A data transmission cable comprising:
a first pair of parallel conductors aligned on a first plane, and
a second pair of conductors aligned on a second plane;
wherein said first plane is substantially at right angles to said second plane and said first plane intersects said second plane along an axis substantially between said second pair of conductors.

95. The cable of Claim 94, wherein a spacing between conductors of said first pair is substantially the same as a spacing between conductors of said second pair.

96. The cable of Claim 94, further comprising a third pair of parallel conductors aligned on a third plane substantially parallel to said first plane and a fourth pair of parallel conductors aligned on a fourth plane substantially parallel to said second plane and wherein said third plane intersects said fourth plane along an axis substantially between said fourth pair of conductors.

97. The cable of Claim 96, wherein said second plane intersects said third plane along an axis substantially between said third pair of conductors and said fourth plane intersects said first plane along an axis substantially between said first pair of conductors.

- 34 -

98. The cable of Claim 97, wherein said pairs of conductors are arranged around a central axis running a long the cable and further wherein said planes curve helically about said axis along a length of the cable.

99. The cable of Claim 97, further comprising a separator spline separating said pairs of conductors.

100. The cable of Claim 99, wherein said spline has a fylfot cross shaped transverse cross section.

101. The cable of Claim 94, wherein said conductors have a substantially flat transverse cross section and further wherein said flat transverse cross section of first pair of conductors is aligned with said first plane and said flat transverse cross section of said second pair of conductors is aligned with said first plane.

102. A separator spline for separating pairs of conductors in a communication cable, the spline comprising:

an elongate main portion having four sides; and

a conductive pair receiving slot moulded lengthwise in each side of said main portion;

wherein said moulded main portion has fylfot cross shaped transverse cross section.

AMENDED CLAIMS
received by the International Bureau on 09 May 2006 (09.05.2006)
+STATEMENT

WE CLAIM:

1. A method for reducing cross talk between first and second cables in a data transmission system, each of the cables comprised of a pair of conductors, the method comprising the steps of:

providing a first contact interconnected with a first conductor of the pair of conductors of the first cable, wherein said first contact emits a first signal;

providing a pair of contacts, each of said pair of contacts interconnected with a different conductor of the pair of conductors of the second cable; and

positioning said first contact relative to said pair of contacts such that an amplitude of said first signal received at one of said second pair of contacts is substantially the same as the amplitude of said first signal received at another of said second pair of contacts.

2. The method of Claim 1, further comprising the steps of providing a second contact interconnected with a second conductor of the pair of conductors of the first cable and wherein said second contact emits a second signal, and positioning said second contact relative to said pair of contacts such that an amplitude of said second signal received at one of said second pair of contacts is substantially the same as an amplitude of said second signal received at another of said second pair of contacts.

3. The method of Claim 1, wherein each of said contacts is substantially flat and said positioning step comprises orienting said contacts such that a long surface of said first contact is perpendicular to a long surface of each of said pair of contacts.

4. The method of Claim 1, wherein said positioning step comprises placing said pair of contacts symmetrically about said first contact.

5. The method of Claim 1, wherein said positioning step comprises placing said first contact equidistant from each of said pair of contacts.

6. The method of Claim 1, wherein each of said pair of contacts is substantially flat and said positioning step comprises placing said first contact such that a line normal to a long surface of either of said pair of contacts does not intersect said first contact.

7. The method of Claim 1, wherein each of the pair of conductors are twisted.

8. The method of Claim 1, wherein each of the pair of conductors are in parallel.

9. A method for reducing cross talk between first and second cables in a data transmission system, each of the cables comprised of a pair of conductors, the method comprising the steps of:

providing a pair of contacts, each of said pair of contacts interconnected with a different conductor of the pair of conductors of the first cable, wherein one of said pair of contacts emits a first signal which is substantially an inverse of a second signal emitted by another of said pair of contacts;

providing at least one first contact interconnected with one of the pair of conductors of the second cable; and

positioning said pair of contacts relative to said first contact such that an amplitude of said first signal received by said first contact is substantially opposite to an amplitude of said second signal received by said first contact.

10. The method of Claim 9, further comprising the steps of providing a second contact interconnected with a second conductor of the pair of conductors of the second cable and positioning said pair of contacts relative to said second contact such that an amplitude of said first signal received by

said second contact is substantially opposite to an amplitude of said second signal received by said second contact.

11. The method of Claim 9, wherein each of said contacts is substantially flat and said positioning step comprises orienting said contacts such that a long surface of said first contact is perpendicular to a long surface of either of said pair of contacts.

12. The method of Claim 9, wherein said positioning step comprises placing said pair of contacts symmetrically about said first contact.

13. The method of Claim 9, wherein said positioning step comprises placing said first contact equidistant from each of said pair of contacts.

14. The method of Claim 9, wherein each of said contacts is substantially flat and said positioning step comprises placing said first contact such that a line normal to a long surface of either of said pair of contacts does not intersect said first contact.

15. An assembly for terminating first and second cables in a telecommunications system, each of the cables comprising first and second conductors, the assembly comprising:

a first contact interconnected with the first conductor of the first cable, wherein said first contact emits a first signal; and

a pair of contacts interconnected with a respective one of the first and second conductors of the second cable;

wherein said first contact is positioned relative to said pair of contacts such that an amplitude of said first signal received at one of said pair of contacts is substantially the same as an amplitude of said first signal received at another of said pair of contacts.

16. The assembly of Claim 15, further comprising a second contact interconnected with the second conductor of the first cable, wherein said second contact emits a second signal, and wherein said second contact is

positioned relative to said pair of contacts such that an amplitude of said second signal received at one of said pair of contacts is substantially the same as an amplitude of said second signal received at another of said pair of contacts.

17. The assembly of Claim 16, wherein said first and second contacts are substantially flat and wherein a long surface of said first contact is in parallel with a long surface of said second contact.

18. The assembly of Claim 17, wherein said long surface of said first contact is arranged opposite said long surface of said second contact.

19. The assembly of Claim 17, wherein said pair of contacts are substantially flat and further wherein said long surface of said first contact and said long surface of said second contact are at right angles to a long surface of either of said pair of contacts.

20. The assembly of Claim 15, wherein said contacts are disposed on a first surface of the assembly and further comprising a plurality sockets adapted to receive a cable plug moulded in a second surface thereof, a first and a second of said sockets comprising a plurality of connector blades disposed therein, one of said blades in said first socket interconnected with said first contact and a pair of blades in said second socket interconnected with a respective one of said pair of contacts.

21. The assembly of Claim 15, further comprising a patch panel and wherein said first contact is disposed on a first surface of a first modular connector and said pair of contacts are disposed on a first surface of a second modular connector, said connectors adapted for insertion into the patch panel.

22. The assembly of Claim 21, wherein said connectors are arranged side by side in said patch panel.

23. The assembly of Claim 21, wherein said connectors are arranged one on top of another in said patch panel.

24. The assembly of Claim 21, wherein each of said connectors further comprises a socket adapted to receive a cable plug moulded on a second surface thereof, each of said sockets having a plurality of connector blades disposed therein, one of said blades in said socket of said first connector interconnected with said first contact and a pair of blades in said socket of said second connector interconnected with a respective one of said second pair of contacts.

25. The assembly of Claim 21 or 24, wherein said first and second modular connectors are modular jacks.

26. The assembly of Claim 20, wherein each of the cables comprises four twisted pairs of conductors and wherein each of said sockets comprises eight blades disposed therein.

27. The assembly of Claim 20 or 24, wherein each of said sockets is adapted to receive an RJ-45 connector plug.

28. The assembly of Claim 15, wherein said pair of contacts are positioned symmetrically about said first contact.

29. The assembly of Claim 15, wherein said contacts are substantially flat and wherein said first contact is at right angles to said pair of contacts.

30. The assembly of Claim 29, wherein said flat pair of contacts are arranged in parallel.

31. The assembly of Claim 29, wherein said flat pair of contacts lie in the same plane.

32. The assembly of Claim 29, wherein said flat contacts are IDCs.

33. An assembly for terminating first and second cables in a telecommunications system, each of the cables comprising a pair of conductors, the assembly comprising:

a pair of contacts interconnected with the pair of conductors of the first cable, wherein one of said pair of contacts emits a first signal which is substantially an inverse of a second signal emitted by another of said pair of contacts; and

a first contact interconnected with a first conductor of the pair of conductors of the second cable;

wherein said pair of contacts is positioned relative to said first contact such that an amplitude of said first signal received by said first contact is substantially opposite to an amplitude of said second signal received by said first contact.

34. The assembly of Claim 33, further comprising a second contact interconnected with a second conductor of the pair of conductors of the second cable and wherein said pair of contacts is positioned relative to said second contact such that an amplitude of said first signal received by said second contact is substantially opposite to an amplitude of said second signal received by said second contact.

35. The assembly of Claim 34, wherein said first and second contacts are substantially flat and wherein a long surface of said first contact is in parallel with a long surface of said second contact.

36. The assembly of Claim 35, wherein said long surface of said first contact and said long surface of said second contact lie in the same plane.

37. The assembly of Claim 35, wherein said pair of contacts are substantially flat and further wherein said long surface of said first contact and said long surface of said second contact are at right angles to a long surface of either of said pair of contacts.

38. An assembly for terminating first and second cables in a telecommunications system, each of the cables comprising a pair of conductors, the assembly comprising:

a first substantially flat contact interconnected with one of the pair of conductors of the first cable; and

a second substantially flat contact interconnected with one of the pair of conductors of the second cable, wherein said first contact is arranged at right angles to said second contact.

39. An assembly for terminating first and second cables in a telecommunications system, each of the cables comprising a pair of conductors, the assembly comprising:

a first contact interconnected with one of the pair of conductors of the first cable; and

a pair of contacts interconnected with a respective one of the pair of conductors of the second cable, said pair of contacts positioned symmetrically about said first contact.

40. The assembly of Claim 39, wherein said first contact and said pair of contacts are substantially flat, wherein said pair of contacts are in parallel and wherein said first contact is perpendicular to said pair of contacts.

41. The assembly of Claim 40, wherein said flat pair of contacts are aligned side by side.

42. The assembly of Claim 40, wherein said flat pair of contacts are positioned facing one another.

43. The assembly of Claim 40, wherein said contacts are IDCs.

44. A connector for terminating a cable comprising first and second pairs of conductors, the connector comprising:

a first contact interconnected with a conductor of the first pair of conductors; and
a pair of contacts interconnected with a respective one of the second pair of conductors, said pair of contacts positioned symmetrically about said first contact.

45. The connector of Claim 44, wherein said contacts are substantially flat, wherein said pair of contacts are in parallel and wherein said first contact is perpendicular to said pair of contacts.

46. The connector of Claim 45, wherein said flat pair of contacts are aligned side by side.

47. The connector of Claim 45, wherein said flat pair of contacts are positioned facing one another.

48. The connector of Claim 44, wherein said flat contacts are IDCs.

49. The connector of Claim 45, wherein said contacts are disposed on a first surface of the connector and further comprising a socket adapted to receive a cable plug moulded in a second surface thereof, said socket comprising a plurality of connector blades disposed therein and wherein each of said contacts is interconnected with a different one of said connector blades.

50. The connector of Claim 49, wherein the connector is modular and adapted for insertion into a patch panel.

51. The connector of Claim 49, wherein the cable comprises four twisted pairs of conductors and wherein each of said socket comprises eight blades disposed therein.

52. The connector of Claim 49 or 51, wherein said socket is adapted to receive an RJ-45 connector plug.

53. A connector for terminating a cable comprising first and second pairs of conductors, the connector comprising:

a first substantially flat contact interconnected with a conductor of the first pair of conductors; and

a second substantially flat contact interconnected with a first conductor of the second pair of conductors, said first flat contact substantially at right angles to said second flat contact.

54. The connector of 53, further comprising a third substantially flat contact aligned with said second flat contact, said third flat contact interconnected with a second conductor of the second pair of conductors and wherein said second and third contacts are arranged symmetrically about said first contact.

55. A method for reducing cross talk in a data transmission system, the method comprising the steps of:

providing a first transmission path comprised of at least one first conductor, said first conductor emitting a signal;

providing a second transmission path comprised of a second pair of conductors;

positioning said first conductor relative to said second pair of conductors such that an amplitude of said signal received along one of said second pair of conductors is substantially the same as an amplitude of said signal received along another of said second pair of conductors.

56. The method of Claim 55, wherein each of said conductors comprises a conductive trace etched on a Printed Circuit Board (PCB).

57. The method of Claim 55, further comprising the step of surrounding said first and second transmission path with a cable housing.

58. The method of Claim 55, wherein said first transmission path further comprises a second conductor, said second conductor emitting a second signal, and further comprising the step of positioning said second conductor relative to said pair of conductors such that an amplitude of said second signal received at one of said second pair of contacts is substantially the same as an amplitude of said second signal received at another of said second pair of contacts.

59. The method of Claim 55, wherein said positioning step comprises placing said pair of conductors symmetrically about said first conductor.

60. The method of Claim 55, wherein said conductors are arranged in parallel.

61. The method of Claim 55, wherein said positioning step comprises placing said first conductor at the same distance from each of said pair of conductors.

62. The method of Claim 55, wherein each of said conductors comprises an elongate transverse cross section and said positioning step comprises placing said first conductor such that a line normal to a long surface of either of said pair of conductors does not intersect said first conductor.

63. The method of Claim 55, wherein each of said conductors comprises an elongate transverse cross section and said positioning step comprises orienting said conductors such that a long surface of said first conductor is perpendicular to a long surface of each of said pair of conductors.

64. A method for reducing cross talk in a data transmission system, the method comprising the steps of:
providing a first transmission path comprised of a first conductor;

providing a second transmission path comprised of a pair of conductors, wherein one of said pair of conductors emits a first signal which is substantially an inverse of a second signal emitted by another of said pair of conductors; and positioning said pair of conductors relative to said first conductor such that an amplitude of said first signal received by said first conductor is substantially opposite to an amplitude of said second signal received by said first conductor.

65. The method of Claim 64, wherein said first transmission path further comprises a second conductor, and further comprising the step of positioning said pair of conductors relative to said second conductor such that an amplitude of said first signal received by said second conductor is substantially opposite to an amplitude of said second signal received by said second conductor.

66. The method of Claim 64, wherein said positioning step comprises placing said pair of conductors symmetrically about said first conductor.

67. The method of Claim 64, wherein said conductors are arranged in parallel.

68. The method of Claim 64, wherein said positioning step comprises placing said first conductor at the same distance from each of said pair of conductors.

69. The method of Claim 64, wherein each of said conductors comprises an elongate transverse cross section and said positioning step comprises placing said first conductor such that a line normal to a long surface of either of said pair of conductors does not intersect said first conductor.

70. The method of Claim 64, wherein each of said conductors comprises an elongate transverse cross section and said positioning step comprises orienting said conductors such that a long surface of said first conductor is perpendicular to a long surface of each of said pair of conductors.

71. An assembly for transmitting data comprising:
a first transmission path comprised of a first conductor, said first conductor emitting a first signal; and
a second transmission path comprised of a pair of conductors;
wherein said first conductor is positioned relative to said pair of conductors such that an amplitude of said first signal received along one of said pair of conductors is substantially the same as an amplitude of said first signal received along another of said pair of conductors.

72. The assembly of Claim 71, wherein each of said conductors comprises a conductive trace on a Printed Circuit Board (PCB).

73. The assembly of Claim 71, wherein all of said conductors are in parallel.

74. The assembly of Claim 71, wherein each of said pair of conductors are substantially equidistant from said first conductor.

75. The assembly of Claim 71, wherein each of said conductors further comprises an outer insulating layer and wherein the assembly further comprises a cable jacket surrounding said conductors.

76. The assembly of Claim 71, wherein said first transmission path further comprises a second conductor, said second conductor emitting a second signal and wherein said second conductor is positioned such that an amplitude of said second signal received at one of said second pair of

conductors is substantially the same as an amplitude of said second signal received at another of said second pair of conductors.

77. The assembly of Claim 76, wherein said first and second conductors are in parallel.

78. The assembly of Claim 77, wherein said pair of conductors are in parallel and further wherein said first conductor is positioned between said second conductor and said pair of conductors.

79. An assembly for transmitting data comprising:
a first transmission path comprised of a first conductor; and
a second transmission path comprised of pair of conductors, wherein one of said pair of conductors emits a first signal which is substantially an inverse of a second signal emitted by another of said pair of conductors;
wherein said first conductor is positioned relative to said pair of conductors such that an amplitude of said first signal received by said first conductor is substantially opposite to an amplitude of said second signal received by said first conductor.

80. The assembly of Claim 79, wherein each of said conductors comprises a conductive trace on a Printed Circuit Board (PCB).

81. The assembly of Claim 79, wherein all of said conductors are in parallel.

82. The assembly of Claim 79, wherein each of said pair of conductors are substantially equidistant from said first conductor.

83. The assembly of Claim 79, wherein each of said conductors further comprises an outer insulting later and wherein the assembly further comprises a cable jacket surrounding said conductors.

84. The assembly of Claim 79, wherein said first transmission path further comprises a second conductor and further wherein said second conductor is positioned such that an amplitude of said first signal received at said second conductor is substantially opposite to an amplitude of said second signal received at said second conductor.

85. The assembly of Claim 84, wherein said first and second conductors are in parallel.

86. The assembly of Claim 85, wherein said pair of conductors are in parallel and further wherein said first conductor is positioned between said second conductor and said pair of conductors.

87. A data transmission cable comprising:
a first conductor;
a pair of conductors arranged in parallel to said first conductor; and
a cable jacket surrounding said first conductor and said pair of conductors;
wherein a distance between said first conductor and each of said pair of conductors is substantially the same.

88. The cable of Claim 87, further comprising a second conductor in parallel to said first conductor and surrounded by said cable jacket, wherein a distance between said second conductor and each of said pair of conductors is substantially the same.

89. The cable of Claim 88, wherein a distance between said first conductor and said second conductor is substantially the same as a distance between said pair of conductors.

90. The cable of Claim 87, further comprising a separator spline separating said first conductor from said pair of conductors.

91. The cable of Claim 87, wherein the cable is comprised of four pairs of parallel conductors and wherein said spline has a fyfot cross shaped transverse cross section.

92. The cable of Claim 87, wherein said conductors have a substantially flat transverse cross section and further wherein said first conductor is arranged at rights angles to said pair of conductors.

93. The cable of Claim 88, wherein said conductors have a substantially flat transverse cross section and further wherein said first and second conductors are arranged at rights angles to said pair of conductors.

94. A data transmission cable comprising:
a first pair of parallel conductors aligned on a first plane, and
a second pair of conductors aligned on a second plane;
wherein said first plane is substantially at right angles to said second plane and said first plane intersects said second plane along an axis substantially between said second pair of conductors.

95. The cable of Claim 94, wherein a spacing between conductors of said first pair is substantially the same as a spacing between conductors of said second pair.

96. The cable of Claim 94, further comprising a third pair of parallel conductors aligned on a third plane substantially parallel to said first plane and a fourth pair of parallel conductors aligned on a fourth plane substantially parallel to said second plane and wherein said third plane intersects said fourth plane along an axis substantially between said fourth pair of conductors.

97. The cable of Claim 96, wherein said second plane intersects said third plane along an axis substantially between said third pair of conductors and said fourth plane intersects said first plane along an axis substantially between said first pair of conductors.

98. The cable of Claim 97, wherein said pairs of conductors are arranged around a central axis running a long the cable and further wherein said planes curve helically about said axis along a length of the cable.

99. The cable of Claim 97, further comprising a separator spline separating said pairs of conductors.

100. The cable of Claim 99, wherein said spline has a fylfot cross shaped transverse cross section.

101. The cable of Claim 94, wherein said conductors have a substantially flat transverse cross section and further wherein said flat transverse cross section of said first pair of conductors is aligned with said first plane and said flat transverse cross section of said second pair of conductors is aligned with said first plane.

102. A separator spline for separating pairs of conductors in a communication cable, the spline comprising:

an elongate main portion having four sides; and

a conductive pair receiving slot moulded lengthwise in each side of said main portion;

wherein said moulded main portion has fylfot cross shaped transverse cross section.

Statement under Article 19 (1)

Claims were amended to define what the Applicants consider their invention, as fully supported by an enabling disclosure. In particular claim 1 has been amended to replace the term "an" by the term "the" before the term "amplitude" to better comply with antecedent rules. Claims 5 and 13 were amended to replace the expression "at the same distance" by the term "equidistant" to remove any ambiguity. Claim 25 was amended to replace the expression "...wherein said modular connector is a modular jack" by the expression "...wherein said first and second modular connectors are modular jacks" to better comply with antecedent rules. Claim 33 was amended to replace the expression "second contact" with the expression "first contact" to correct a typographical error. Claim 40 was amended to replace the expression "...wherein said contacts" by the expression "...wherein said first contact and said pair of contacts" to better comply with antecedent rules. Claim 55 was further amended to insert the term "first" before the term "conductor" to better comply with antecedent rules. Claim 64 was amended to insert the term "a" before the expression "pair of conductors" to correct a grammatical error. Claim 75 was amended to replace the expression "insulating later" by the expression "insulating layer" to correct typographical errors. Finally, Claim 101 was amended to insert the term "said" before the expression "first pair of conductors" to better comply with antecedent rules.

Claims 55 and 71 were amended to replace the term "at" by the term "along" to more particularly state what Applicant believes is his invention. The prior art documents D1 and D2 disclose cable configurations comprising a plurality of twisted pairs of conductors. As known in the art, such twisted pairs of conductors are manufactured from lengths of like conductors which are wound together. As a result, as one moves along the length of the cable the distance separating a conductor of a first twisted pair to at least one of the conductors of a second twisted pair will vary (and typically both will vary as the twisted pairs are wound with different twist lays). That is, as one moves along the cable the configuration as disclosed in, for example, Figure 1 of reference D1 and Figures 5A and 5C of reference D2 (which both show cross sections of the cable at particular positions along the cable) will change. Given that the other

characteristics of the conductors of references D1 and D2 are the same (for example, the conductor thickness or insulation thickness), Applicant submits the prior art does not disclose positioning a first conductor relative to a second pair of conductors such that an amplitude of a signal received along one of the second pair of conductors is substantially the same as the amplitude of the signal received along another of the second pair of conductors and therefore that both Claims 55 and 71 are allowable claims.

Yours truly,

GOUDREAU GAGE DUBUC

A handwritten signature in black ink, appearing to read 'H. Mansfield', written in a cursive style.

Hugh Mansfield

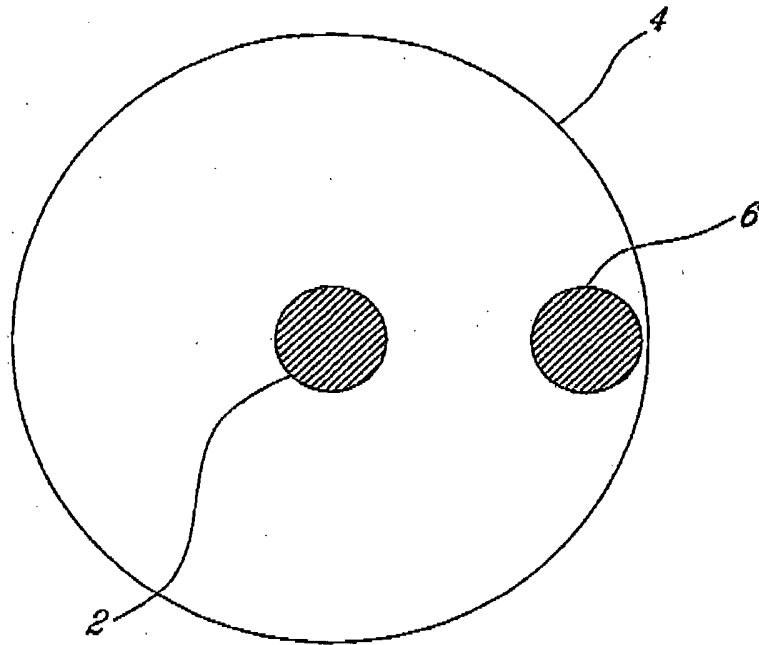


FIG. 1A

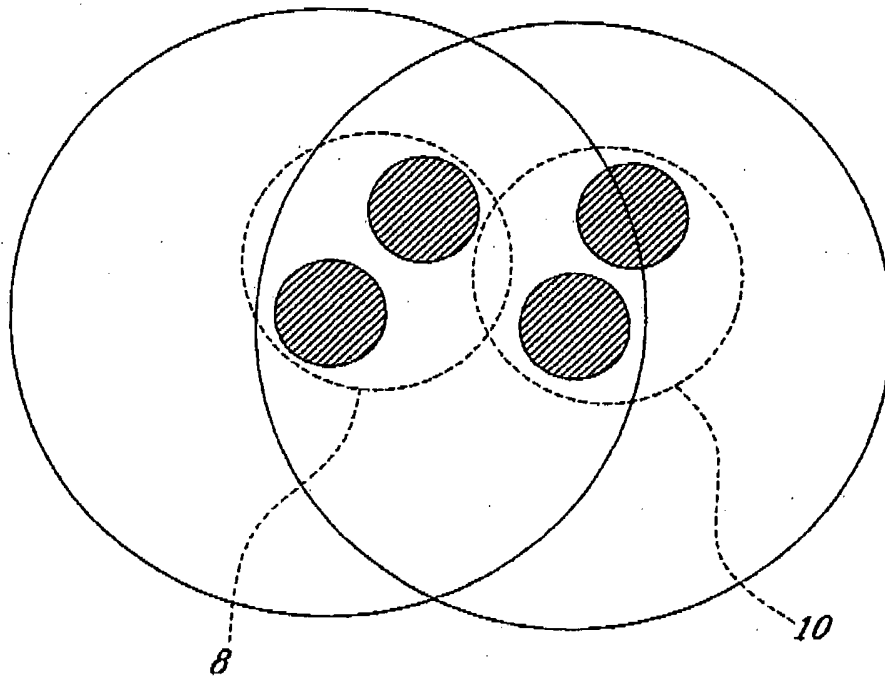


FIG. 1B

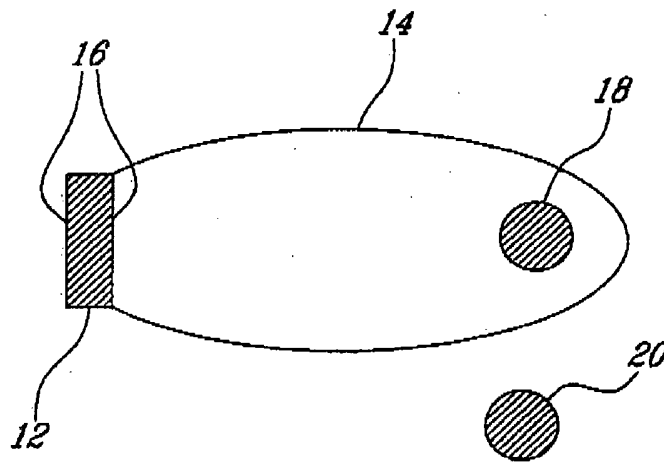
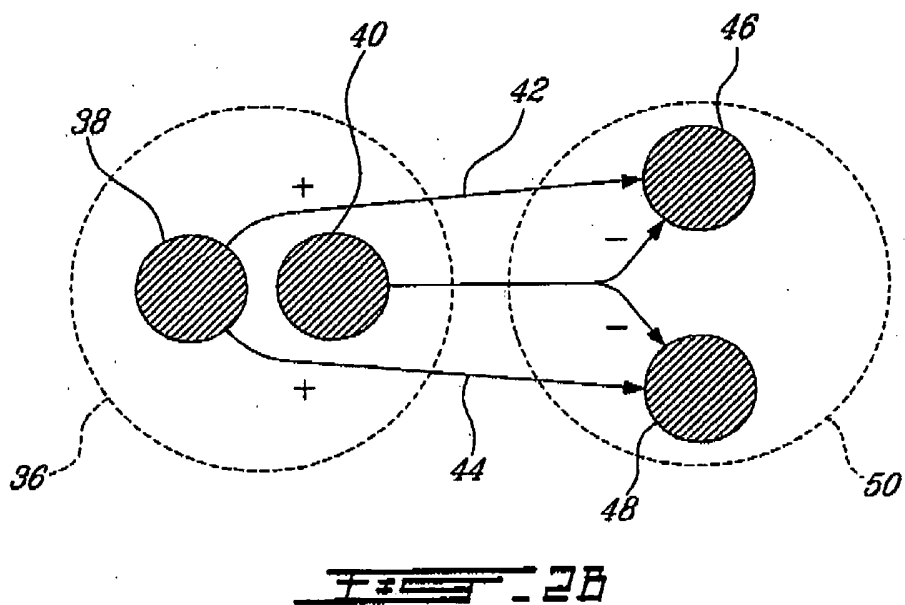
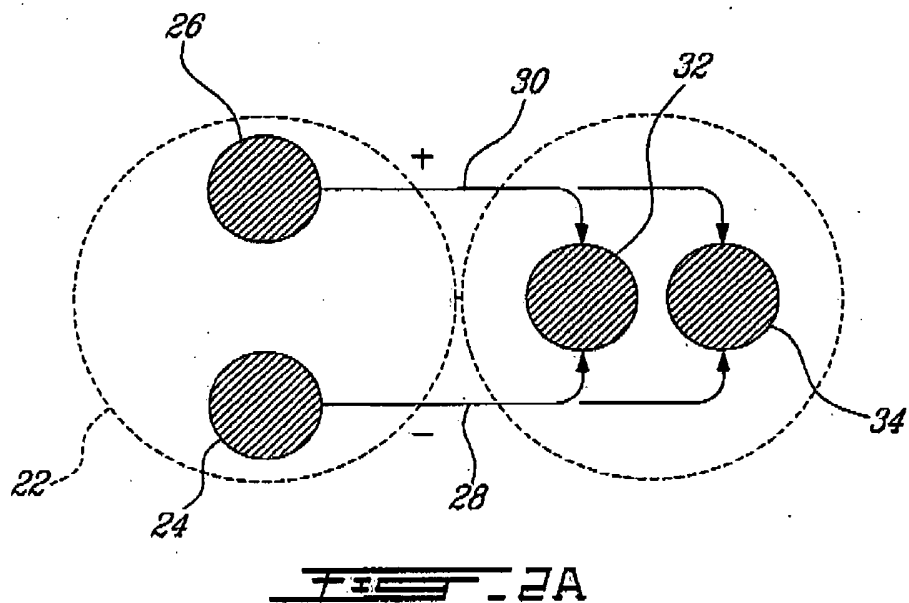
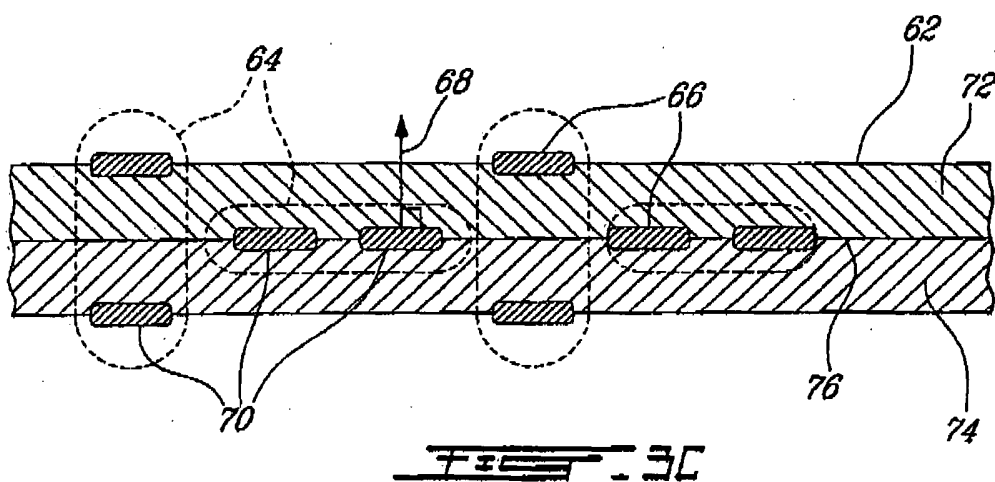
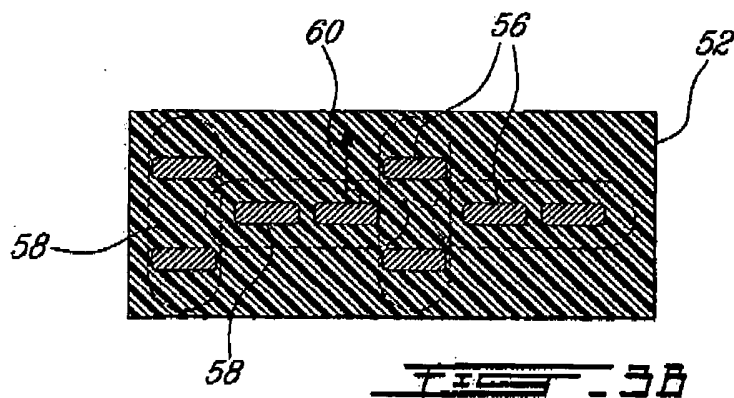
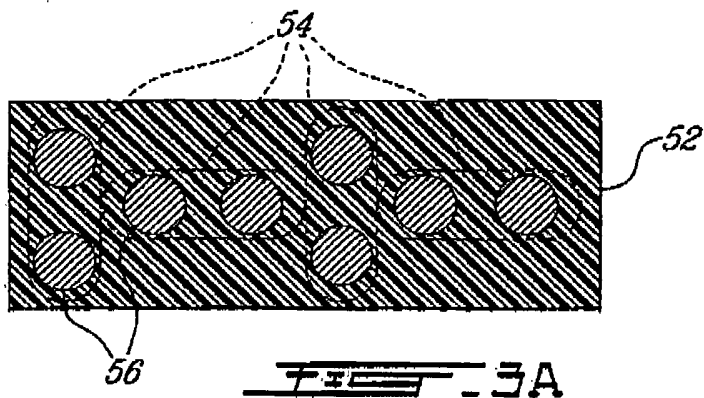


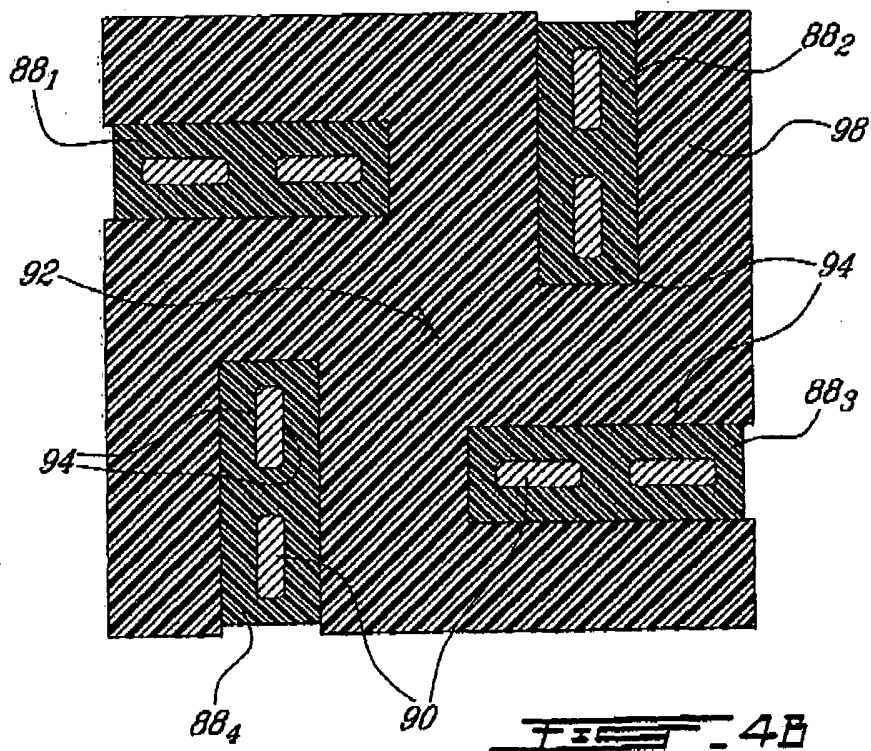
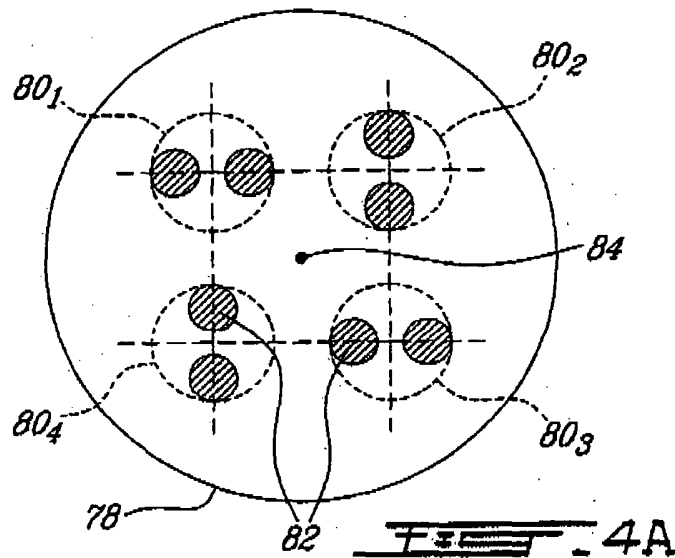
FIG. 1C

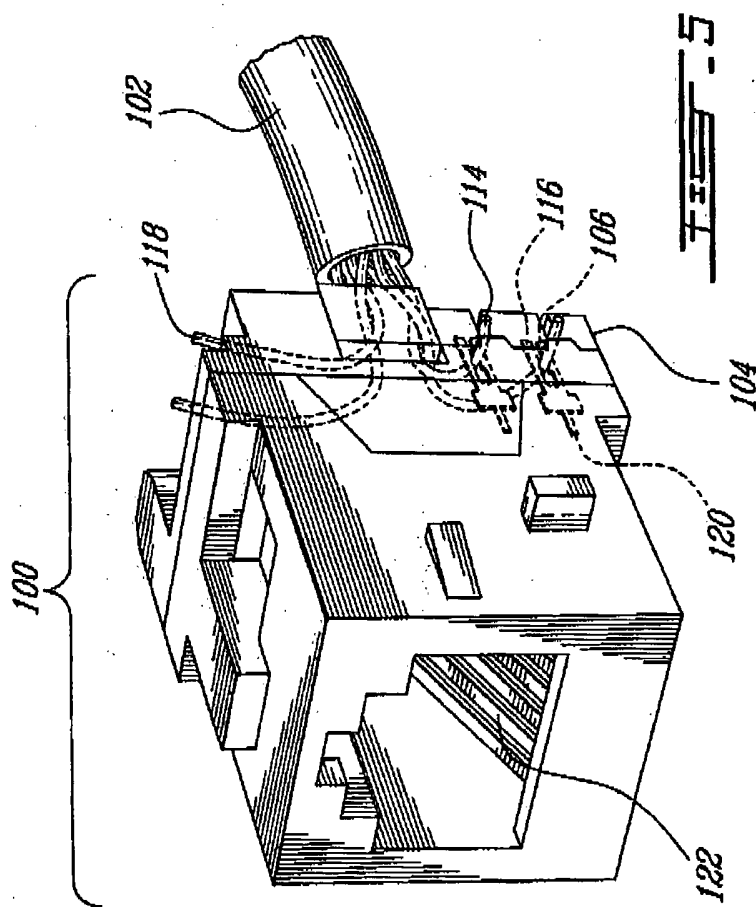


4/12

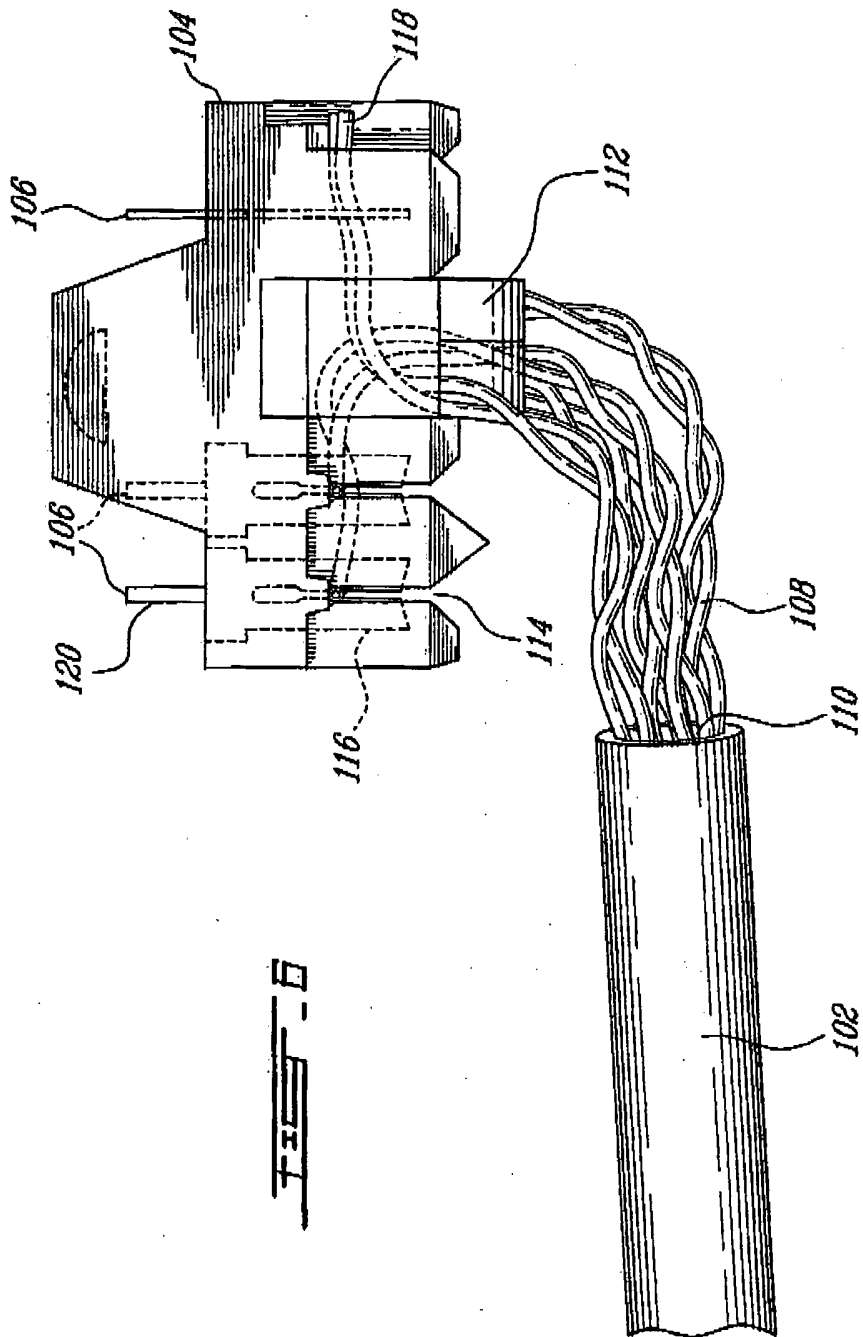


5/12





7/12



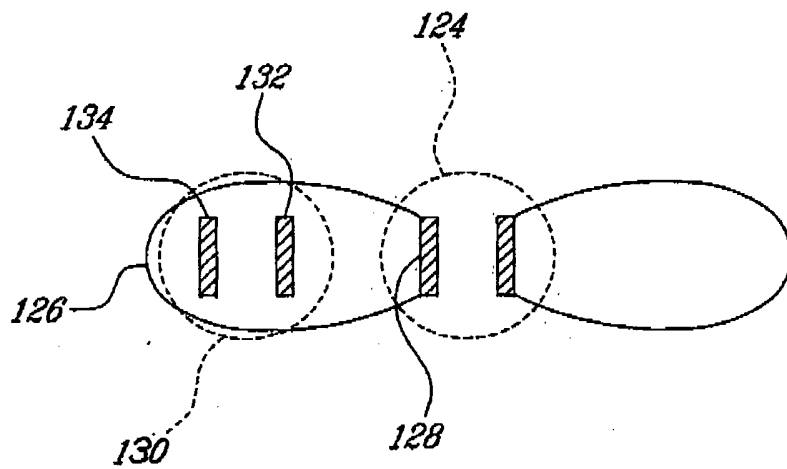
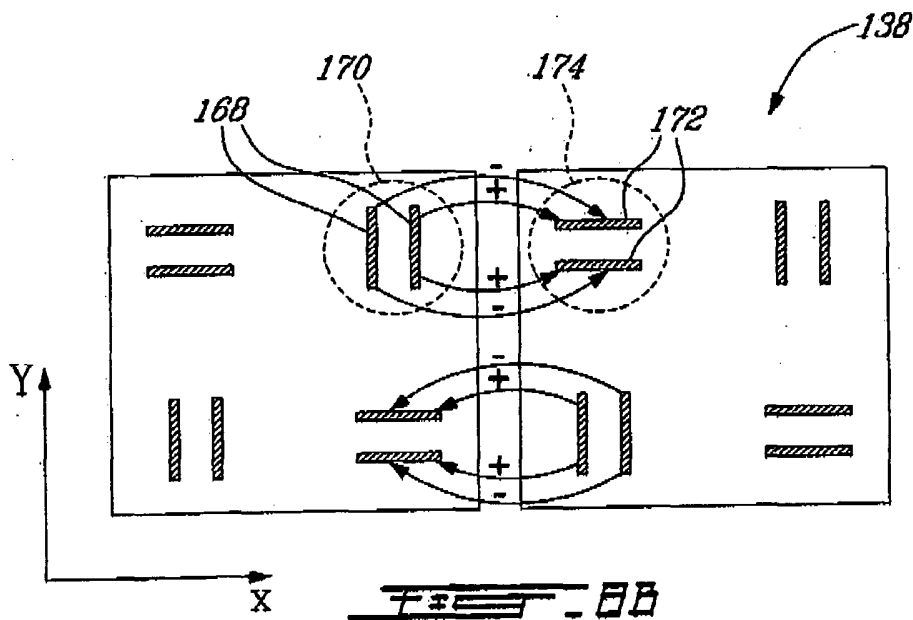
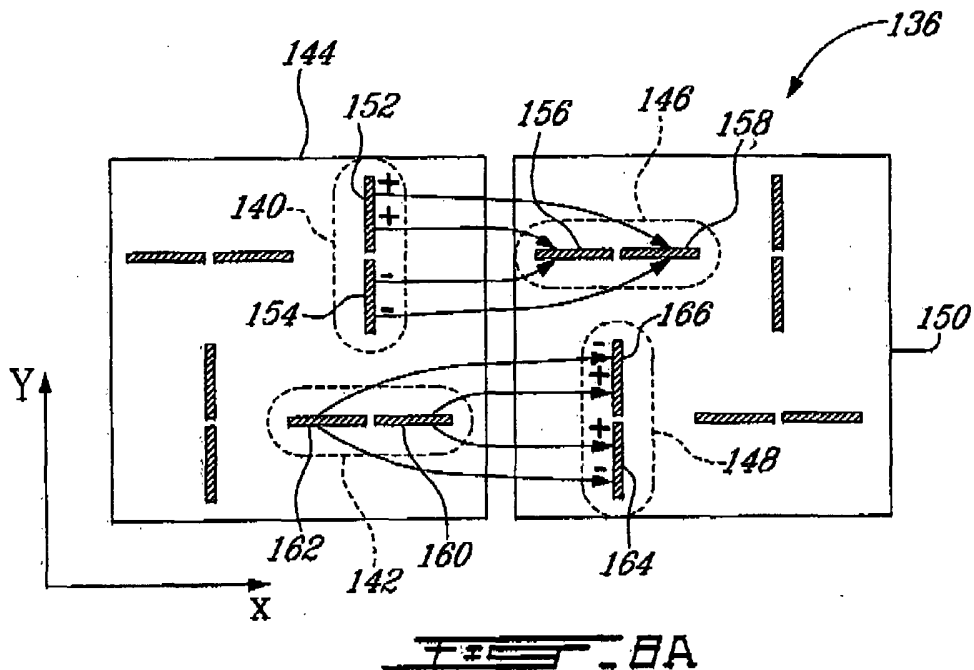
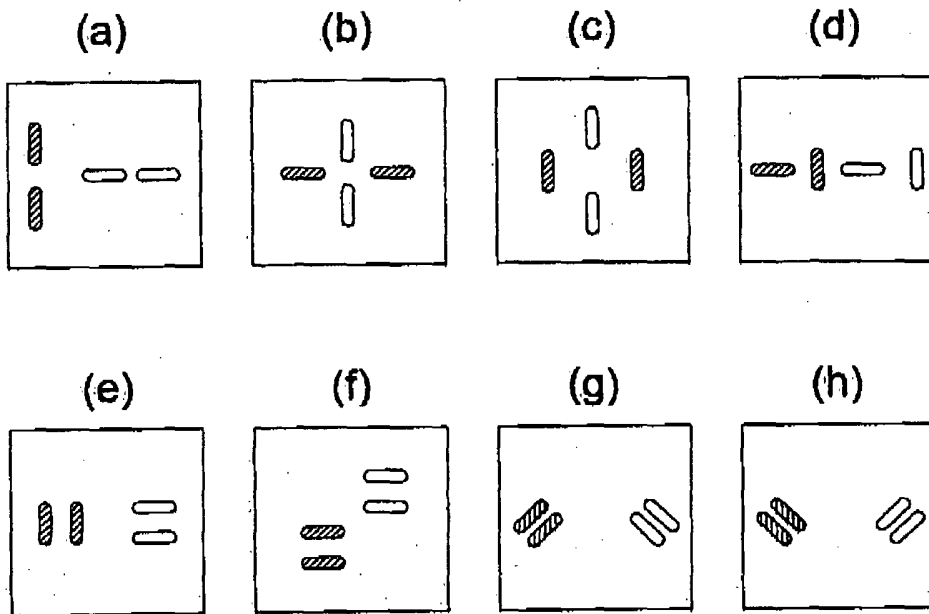
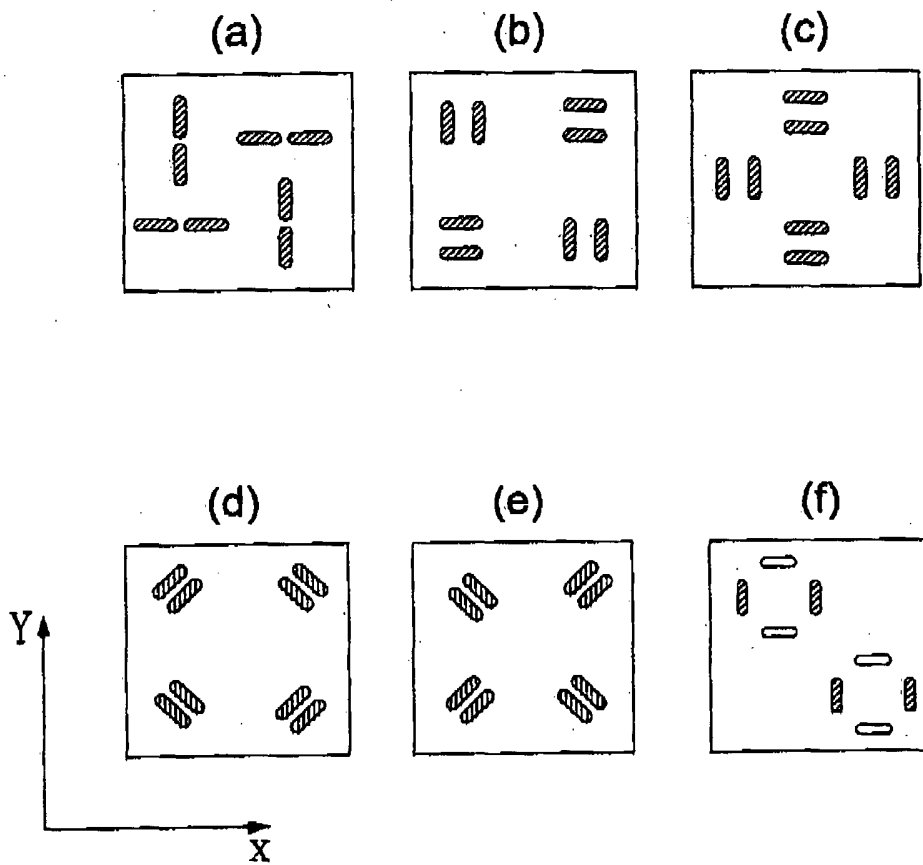


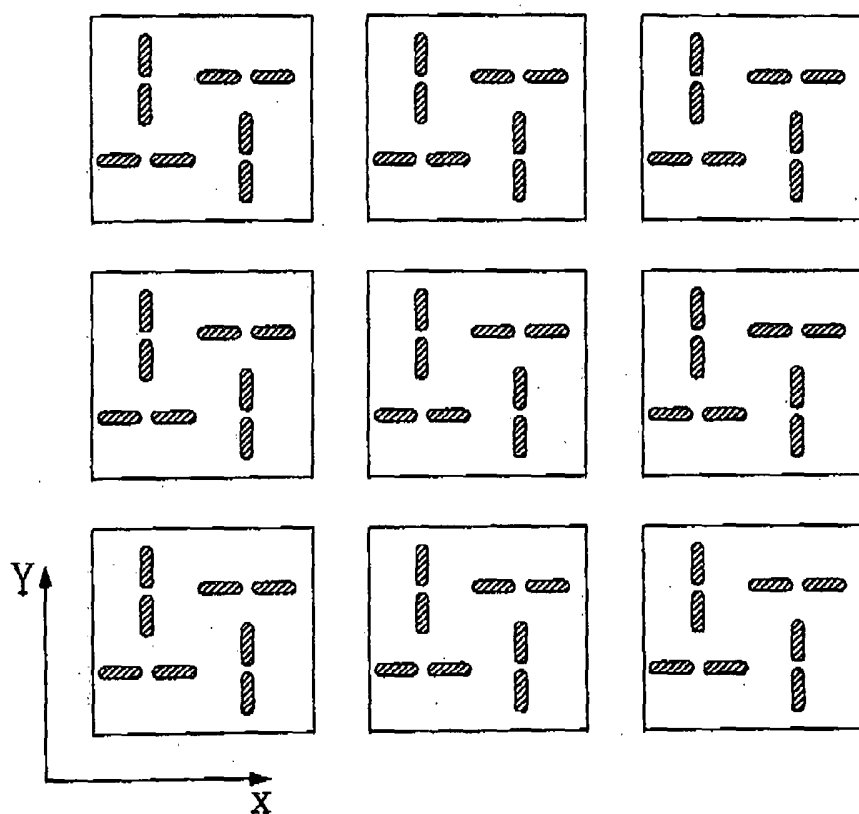
FIG. 7





~~Figure 10~~





~~FIG. 11~~

INTERNATIONAL SEARCH REPORT

International application No.
PCT/CA2005/001753

A. CLASSIFICATION OF SUBJECT MATTER IPC: H04B 3/32 (2006.01) , H01R 13/646 (2006.01) According to International Patent Classification (IPC) or to both national classification and IPC		
B. FIELDS SEARCHED Minimum documentation searched (classification system followed by classification symbols) IPC: H04B 3/32 (2006.01) , H01R 13/646 (2006.01)		
Documentation searched other than minimum documentation to the extent that such documents are included in the fields searched		
Electronic database(s) consulted during the international search (name of database(s) and, where practicable, search terms used) Delphion, Canadian Patent Database, USPTO, Espenet, IEEE Publications, (Keywords: cross talk, data cable, contacts, assembly, electrical connectors, fylfot, conductors, right angle contacts)		
C. DOCUMENTS CONSIDERED TO BE RELEVANT		
Category*	Citation of document, with indication, where appropriate, of the relevant passages	Relevant to claim No.
X	US 6,150,612 (Grandy et al.) 21 November 2000 (21-11-2000) (abstract, column 5, lines 57-59, column 8, lines 8-18, FIG. 1)	55-63, 71-78, 87-93
X	US 6,794,570 B2 (Chou) 21 September 2004 (21-09-2004) (abstract, column 2, lines 10-22, column 3, lines 12-20, lines 32-40, FIG'S 3A-3C, FIG'S 5A-5C)	55-63, 71-78, 87-93
X	US 6,596,944 B1 (Clark et al.) 22 July 2003 (22-07-2003) (abstract, column 3, lines 58-60, column 4, lines 50-56, FIG'S 2-3)	102
A	US 6,045,391 (Jang) 4 April 2000 (04-04-2000) (abstract, column 2, lines 60-62, FIG. 1)	1-102
<input type="checkbox"/> Further documents are listed in the continuation of Box C. <input checked="" type="checkbox"/> See patent family annex.		
* Special categories of cited documents :		
"A" document defining the general state of the art which is not considered to be of particular relevance "E" earlier application or patent but published on or after the international filing date "L" document which may throw doubts on priority claim(s) or which is	"T" later document published after the international filing date or priority date and not in conflict with the application but cited to understand the principle or theory underlying the invention "X" document of particular relevance; the claimed invention cannot be considered novel or cannot be considered to involve an inventive step when the document is taken alone "Y"	
Date of the actual completion of the international search 3 March 2006 (03-03-2006)		Date of mailing of the international search report 9 March 2006 (09-03-2006)
Name and mailing address of the ISA/CA Canadian Intellectual Property Office Place du Portage I, C114 - 1st Floor, Box PCT 50 Victoria Street Gatineau, Quebec K1A 0C9 Facsimile No.: 001(819)953-2476		Authorized officer Camran Syed (819) 934-4550

INTERNATIONAL SEARCH REPORT

International application No.
PCT/CA2005/001753

Box No. II Observations where certain claims were found unsearchable (Continuation of item 2 of the first sheet)

This international search report has not been established in respect of certain claims under Article 17(2)(a) for the following reasons :

1. Claim Nos. :

because they relate to subject matter not required to be searched by this Authority, namely :

2. Claim Nos. :

because they relate to parts of the international application that do not comply with the prescribed requirements to such an extent that no meaningful international search can be carried out, specifically :

3. Claim Nos. :

because they are dependant claims and are not drafted in accordance with the second and third sentences of Rule 6.4(a).

Box No. III Observations where unity of invention is lacking (Continuation of item 3 of first sheet)

This International Searching Authority found multiple inventions in this international application, as follows :

Group I

Claims 1-8, 15-32, 55-63 and 71-78 disclose a method of reducing cross talk between first and second cables in a data transmission system, and an assembly for terminating the first and second cables, wherein each of the cables is comprised of a pair of conductors, the method and assembly comprising a signal emitting contact interconnected with a first conductor in the first cable, and two contacts interconnected with the pair of conductors of the second cable. The contacts are located relative to each other such that the signal received by the second pair of contacts in the second cable is substantially the same in amplitude to the signal emitted by the first contact.

Continued In Supplemental Box

1. As all required additional search fees were timely paid by the applicant, this international search report covers all searchable claims.

2. As all searchable claims could be searched without effort justifying an additional fee, this Authority did not invite payment of any additional fee.

3. As only some of the required additional search fees were timely paid by the applicant, this international search report covers only those claims for which fees were paid, specifically claim Nos. :

4. No required additional search fees were timely paid by the applicant. Consequently, this international search report is restricted to the invention first mentioned in the claims; it is covered by claim Nos. :

Remark on Protest The additional search fees were accompanied by the applicant's protest.

No protest accompanied the payment of additional search fees.

Continued From Box No. III

Supplemental Box

Group II

Claims 9-14, 33-37, 64-70 and 79-86 disclose a method of reducing cross talk between first and second cables in a data transmission system, and an assembly for terminating the first and second cables, wherein each of a pair of contacts are interconnected to a different conductor of a first cable, and wherein each of the pair of contacts emit a signal inverse to each other. A first contact is interconnected to one of the conductors of the second cable, and the position of the pair of contacts of the first cable relative to the first contact of the second cable is such that the amplitude of the first signal emitted by the first of the pair of contacts and received by the first contact of the second cable is substantially opposite to the amplitude of the second signal emitted by the second of the pair of contacts and received by the first contact.

Group III

Claims 38, 53-54, and 94-101 disclose a cable and an assembly for terminating first and second cables wherein each of the cables consist of a pair of conductors, the assembly comprises a first flat contact interconnected with one of the pair of conductors of the first cable, and a second flat contact interconnected with one of the pair of conductors of the second cable, wherein the first contact is located at right angles to the second contact.

Group IV

Claims 39-52 disclose a cable and an assembly for terminating first and second cables, wherein each of the cables consist of a pair conductors, the assembly comprises a first contact interconnected with one of the pair of conductors of the first cable, and a pair contacts interconnected with one of the pair of conductors of the second cable, the pair of conductors located symmetrically about the first contact.

Group V

Claims 87-93 disclose a data transmission cable comprising a first conductor and a pair of conductors arranged in parallel to the first conductor, a cable jacket surrounding the first and pair of conductors, wherein the distance between the first and pair of conductors is substantially the same.

Group VI

Claim 102 discloses a communication cable including a separator spline for separating pairs of conductors in the cable, the separator spline cross section shaped as a fylfot.

INTERNATIONAL SEARCH REPORT

International application No.
PCT/CA2005/001753

Patent Document Cited in Search Report	Publication Date	Patent Family Member(s)	Publication Date
US6150612	21-11-2000	AU747659 B2	16-05-2002
		AU3648099 A	08-11-1999
		CA2269161 A1	17-10-1999
		CN1154117C C	16-06-2004
		DE19983135T T0	29-03-2001
		GB0026378D D0	13-12-2000
		JP2002512420T T	23-04-2002
		WO9954889 A1	28-10-1999
US6794570	21-09-2004	US6825410 B2	30-11-2004
		US2005077067 A1	14-04-2005
US6596944	22-07-2003	EP0978129 A1	09-02-2000
		NO995168 A	22-10-1999
		US6074503 A	13-06-2000
		US2005006132 A1	13-01-2005
		US2005269125 A1	08-12-2005
		WO9848430 A1	29-10-1998
		WO2005048274 A2	26-05-2005
US6045391	04-04-2000	DE19823647 C1	23-09-1999
		EP0961347 A1	01-12-1999