

(19) World Intellectual Property Organization
International Bureau



(43) International Publication Date
11 December 2008 (11.12.2008)

PCT

(10) International Publication Number
WO 2008/150783 A2

- (51) International Patent Classification:
A61F 5/56 (2006.01)
- (21) International Application Number:
PCT/US2008/064945
- (22) International Filing Date: 28 May 2008 (28.05.2008)
- (25) Filing Language: English
- (26) Publication Language: English
- (30) Priority Data:
11/757,490 4 June 2007 (04.06.2007) US
- (71) Applicant (for all designated States except US):
HAYLOFT ENTERPRISES, INC. [US/US]; Three Mill Road, Suite 202, Wilmington, DE 19806 (US).

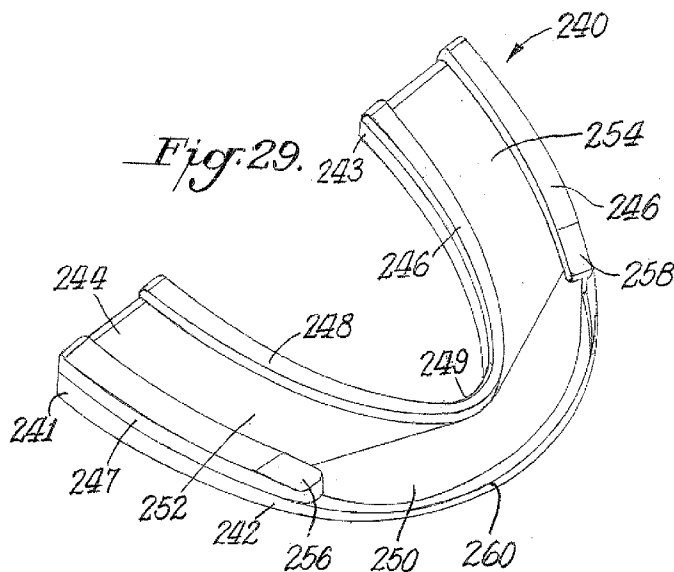
(81) Designated States (unless otherwise indicated, for every kind of national protection available): AE, AG, AL, AM, AO, AT, AU, AZ, BA, BB, BG, BH, BR, BW, BY, BZ, CA, CH, CN, CO, CR, CU, CZ, DE, DK, DM, DO, DZ, EC, EE, EG, ES, FI, GB, GD, GE, GH, GM, GT, HN, HR, HU, ID, IL, IN, IS, JP, KE, KG, KM, KN, KP, KR, KZ, LA, LC, LK, LR, LS, LT, LU, LY, MA, MD, ME, MG, MK, MN, MW, MX, MY, MZ, NA, NG, NI, NO, NZ, OM, PG, PH, PL, PT, RO, RS, RU, SC, SD, SE, SG, SK, SL, SM, SV, SY, TJ, TM, TN, TR, TT, TZ, UA, UG, US, UZ, VC, VN, ZA, ZM, ZW.

- (72) Inventor; and
- (75) Inventor/Applicant (for US only): **LESNIAK, Frank, M.** [US/US]; 472 Barren Road, Media, PA 19063 (US).
- (74) Agent: **ROGOWSKI, Patricia, Smink**; Connolly Bove Lodge & Hutz LLP, 1007 North Orange Street, P.O. Box 2207, Wilmington, DE 19899-2207 (US).

(84) Designated States (unless otherwise indicated, for every kind of regional protection available): ARIPO (BW, GH, GM, KE, LS, MW, MZ, NA, SD, SL, SZ, TZ, UG, ZM, ZW), Eurasian (AM, AZ, BY, KG, KZ, MD, RU, TJ, TM), European (AT, BE, BG, CH, CY, CZ, DE, DK, EE, ES, FI, FR, GB, GR, HR, HU, IE, IS, IT, LT, LU, LV, MC, MT, NL, NO, PL, PT, RO, SE, SI, SK, TR), OAPI (BF, BJ, CF, CG, CI, CM, GA, GN, GQ, GW, ML, MR, NE, SN, TD, TG).

Published:
— without international search report and to be republished upon receipt of that report

(54) Title: INTEROCCLUSAL APPLIANCE AND METHOD



(57) Abstract: An interocclusal appliance is formed from a single polymer material composition as one unitary piece or from multiple polymer material compositions as a two-piece preform. The two-piece preform includes a base material and an impression material that has a softening point lower than the base material. Teeth are received into the heat-softened impression material, so as to contour the impression material. A portion of the impression material also may contour to a portion of the user's palate, in certain embodiments, substantially no polymeric material contacts the front surfaces of the front teeth, leading to greater comfort and better air flow between front teeth, in still another embodiment, the appliance fits over front teeth only and no polymeric material contacts the maxillary molars.

WO 2008/150783 A2

INTEROCCLUSAL APPLIANCE AND METHOD

BACKGROUND OF THE INVENTION

1. Field of the Invention

[0001] This invention relates to interocclusal appliances worn in the mouth to prevent tooth structure loss resulting from subconscious parafunctional mandibular habits known as bruxism or clenching.

2. Description of the Prior Art

[0002] Bruxism has been found to be a major factor in occlusal tooth surface wear, and may be a significant potential risk factor for dental implant failure. Interocclusal appliances, such as mouth guards or nightguards, have been recognized as beneficial to alleviate the adverse effects of bruxism and clenching.

[0003] Prior interocclusal appliances include those that are fitted by a dental professional and those that are self-fitted. Professionally fitted interocclusal appliances are molded of relatively hard acrylic resin from casts of the patient's mouth taken from a dental impression. This procedure requires multiple visits to the dental professional's office, and thus is time-consuming and expensive.

[0004] Self-fitted interocclusal appliances typically include a thermoplastic channel or trough in the shape of a maxillary arch. A thermoplastic impressionable liner material is carried in the trough. Such thermoplastic impressionable liner material has a softening point lower than that of the trough. The liner is softened by immersing it in hot water. Then, the liner is molded to conform to a user's mount/teeth by inserting the heated

liner into the user's mouth, placing it against the maxillary arch. The user's jaw is closed and biting pressure is applied to force the maxillary teeth into the liner. Representative self-fitted interocclusal appliances of this type are shown in U.S. Patent Nos. 5,566,684; 6,302,110; and 6,820,623; and European Patent Application No. EP 0 359 135 A1.

[0005] Problems were encountered with these prior self-fitting nightguards. Home users had some difficulty fitting the appliance to their own teeth. It can be difficult to properly center and align (register) the heated impressionable liner material of the nightguard relative to one's own maxillary arch. If the fit is not proper, the user could experience discomfort on wearing the nightguard and/or the nightguard could prematurely wear out. In addition, in some prior nightguards, the thermoplastic impressionable liner material was used without a backing plate. Upon severe bruxing or clenching, many users would bite through this material, thus wearing out the appliance and losing the benefit of protecting teeth surfaces. In other prior nightguards, the thermoplastic impressionable liner material separated from the trough as a result of shearing forces from a user's severe bruxing or clenching.

[0006] U.S. Patent No. 6,830,051 illustrates an improved self-fitting interocclusal appliance that includes an impression material unitarily molded to a base material, creating a high shear resistance bond between components. In this prior appliance, the lower base has the shape of a maxillary dental arch. An impression preform of a softenable thermoplastic is molded to the lower base. The inner side walls of the appliance may be tapered inwardly to facilitate proper placement of the appliance in the user's

mouth over the user's upper teeth. This appliance thus fits over all upper teeth of the maxillary arch.

[0007] Many of the prior self fitting interocclusal appliances include thermoplastic material over all upper teeth of the maxillary arch, including molars and front teeth (incisors and eye teeth). Plastic material between the front lip and front teeth can be uncomfortable. Moreover, when such an appliance is worn, no space or gap is left between the top and bottom teeth. For example, a person's natural bite would generally leave a gap between the upper incisors and the lower incisors. The lack of this gap can lead to breathing difficulties for users accustomed to more mouth breathing at night, such as users who have frequent nasal congestion. An appliance that does not cover or does not substantially cover front teeth, particularly the incisors, would be more comfortable. In addition, when circumstances permit, an appliance that permits greater air flow between upper and lower front teeth would be more comfortable.

[0008] For some users, the excess material in an appliance extending over the back molars and/or between the back molars and the cheeks is not comfortable. Such users seek an appliance that satisfactorily protects teeth surfaces without covering all teeth of the maxillary arch. Thus, another alternative appliance with such characteristic would be more comfortable for these users.

SUMMARY OF INVENTION

[0009] In a first embodiment of the invention, a one-piece interocclusal appliance for fitting over maxillary teeth of a user is fabricated

from a polymeric material formed in a configuration generally of a dental arch having a bottom plan surface and having two end portions and a central portion together forming said dental arch. The end portions each define receiving portions for receiving at least one maxillary molar, and the central portion is shaped so as to be disposed behind at least some of the user's front teeth. In this embodiment the interocclusal appliance lacks substantial material in front of the user's front teeth. To facilitate fitting, the end portions of the dental arch may be spaced further from one another by flexing the polymeric material. The appliance may be heat and fit, such as by heating the polymeric material to a temperature that is above its Vicat softening temperature so that the receiving portions may be molded into cavities for receiving the maxillary molars, and the central portion may be shaped to conform to a portion of the user's palate behind one or more of the user's front teeth. Once fitted, the appliance is maintained in fitted position in the user's mouth over the user's maxillary molars until the user elects to remove said appliance from the mouth.

[00010] Certain features may be included to help locate the appliance in the user's mouth during fitting. For example, the central portion may include a preformed upstanding bridge or arch between the end portions. In addition, a slanted ledge may be formed at the central portion. As another example, a front tooth guide may extend generally upwardly from a top surface of the dental arch at the central portion. The front tooth guide may comprise a continuous or discontinuous arcuate ridge, or a series of one or more projections. As yet another example, a pilot channel may be formed in

the end portions between inner and outer upstanding ridges that extend generally upwardly from a top surface of the dental arch.

[00011] The interocclusal appliance may be formed from a polymeric material, such as polymeric materials having Shore A hardness of at least about 20, or combinations of such materials. Materials meeting this criteria include ethylene methyl acrylate (EMA) copolymers, ethylene vinyl acetate (EVA) copolymers, acrylics, high density polyethylenes (HDPE), styrenics (IMPS), acrylonitrile-butadiene-styrene (ABS) copolymers, poly(methylmethacrylates) (IM-PMMA), alpha-polyolefins and mixtures thereof. Other FDA-approved polymeric materials may be suitable. The hardness, strength or color of the material forming the appliance may be altered by incorporating one or more types of particles, including nanoparticles, into the polymeric material. Such particles may be included to help a user monitor the wear or degradation of the material forming the appliance.

[00012] Another embodiment of an interocclusal appliance for fitting over maxillary or mandibular teeth of a user according to the invention has two components, a base and an impression material. The two components together initially comprise a preform that may be fitted and formed into the interocclusal appliance. The base generally has a top surface and a bottom surface, where the bottom plan surface is in a configuration of a dental arch having two end portions and a central portion together forming said dental arch. Impression material is bonded (such as by molding or adhering) to the top surface of the base, with said impression material defining receiving portions in the end portions of the base for receiving one or

more molars at each end portion. The impression material comprises a polymeric material that has a Vicat softening temperature, and said base comprises a polymeric material that may have a Vicat softening temperature above that of the impression material. Upon heating the preform to a temperature that is above the Vicat softening temperature of the impression material polymeric material, the receiving portions may be molded into cavities for receiving the molars. For greater user comfort, the interocclusal appliance formed from said preform lacks substantial polymeric material in front of the user's front teeth. In one alternative embodiment, the appliance lacks polymeric material in contact with the tips of at least some of the user's front teeth. In another alternative embodiment, the user's front teeth are supported by the base with the tips of the user's front teeth in contact with a portion of the top surface of the base. In yet another alternative embodiment, one or more air flow passages are formed through or in the base.

[00013] Certain features may be included to help locate the interocclusal appliance formed from the preform in the user's mouth during fitting. For example, the central portion may include a preformed upstanding bridge or arch of impression material between the end portions. In addition, a slanted ledge of impression material may be formed at the central portion. As another example, a front tooth guide may extend generally upwardly from a top surface of the base at the central portion. The front tooth guide may comprise a continuous or discontinuous arcuate ridge, or a series of one or more projections. As yet another example, a pilot channel may be formed in the end portions between inner and outer upstanding ridges that extend generally upwardly from a top surface of the dental arch. It is also possible for

the top surface of the base to be concavely dished at the end portions to receive the impression material and form the pilot channel. Moreover, the end portions of the base may be flexed apart. Notches may be cut into the impression material (and/or into the base material) between each end portion and the central portion to assist in flexing the preform.

[00014] The interocclusal appliance may have a base with a dental arch of a certain size adapted to fit most adult mouths. However, to accommodate users with larger teeth or a larger dental arch, the preform may include excess impression material bonded at or near the receiving portions in the end portions of the base such that upon fitting the appliance said excess impression material may engage the user's rear teeth that extend beyond the end portions of the base. Such excess impression material will engage the rear teeth that extend beyond the bottom plan surface of the base.

[00015] The polymeric material forming the base may have a Shore A hardness of at least about 20. Polymeric material such as ethylene methyl acrylate (EMA) copolymers, acrylics, high density polyethylenes (HDPE), styrenics (IMPS), acrylonitrile-butadiene-styrene (ABS) copolymers, and poly(methylmethacrylates) (IM-PMMA) may be suitable for forming the base. Other FDA-approved polymeric materials may be suitable as well.

[00016] One or more types of larger or nanoparticles may be added to the polymeric material forming the base to alter hardness, strength or color of the material forming the appliance. Representative particles include pigments, colorants, plated clays, carbon fibrils and carbon nanotubes.

[00017] Particles to impart opacity or translucency to the polymeric material forming the base may serve also as a wear indicator for the interocclusal appliance. As such, a change in color or opacity can evidence that polymeric material is wearing away due to the clenching or bruxing occurring in association with the interocclusal appliance. When a certain color change or opacity variance is observed, the user may determine that the interocclusal appliance is no longer as effective in protecting his or her teeth.

[00018] The impression material may comprise ethylene methyl acrylate (EMA) copolymers, ethylene vinyl acetate (EVA) copolymers, acrylics, high density polyethylenes (HDPE), styrenics (IMPS), acrylonitrile-butadiene-styrene (ABS) copolymers, poly(methylmethacrylates) (IM-PMMA), alpha-polyolefins and mixtures thereof. Other FDA-approved polymeric materials may be suitable as well. In one advantageous embodiment, the impression material comprises from 0 to 85% by weight of an ethylene vinyl acetate copolymer having up to about 30% by weight vinyl acetate or mixture of such copolymers, and from 15 to 100% by weight of one or more alpha-polyolefins. If an ethylene vinyl acetate copolymer or mixture of such copolymers is present in the impression material, it may be advantageous to have less than about 10% by weight vinyl acetate. Particles, including larger particles or nanoparticles, may be added to the polymeric material forming the impression material to alter hardness, strength or color of the material forming the appliance.

[00019] Some users may prefer an interocclusal appliance that fits over the front teeth rather than the molars. Such an appliance may be

formed from a preform comprising a base and an impression material. The base in such embodiment has a bottom plan surface in a configuration of a partial dental arch, and the impression material is bonded to the top surface of said base, with said impression material defining a receiving portion for receiving two or more maxillary front teeth. Just as with the other embodiments noted above, the impression material has a softening temperature lower than the softening temperature of the base so that when the preform is heated the impression material may be softened to take an impression of the user's teeth, such as the front incisors. Preferably, at least six front maxillary teeth are engaged by the impression material to form the interocclusal appliance.

[00020] Another aspect of the invention is a method of fabricating an interocclusal appliance for alleviating adverse effects of bruxing or clenching events. In a first embodiment of such method, a one component appliance is formed from a polymeric material having a Shore A hardness of at least 20. In a second embodiment of such method, the one component appliance is formed in a configuration generally of a dental arch having a bottom plan surface and having two end portions and a central portion together forming said dental arch. The end portions each define receiving portions for receiving at least one maxillary molar, and the central portion is shaped so as to be disposed behind at least some of the user's front teeth. The interocclusal appliance formed in this method lacks substantial material in front of the user's front teeth. The method may further include the steps of heating the polymeric material to a temperature that is above its Vicat softening temperature and installing the appliance into a user's mouth and

biting pressure is applied thereon so that the receiving portions may be molded into cavities for receiving the maxillary molars. Alternatively, the method may include the step of installing the appliance into a user's mouth and biting pressure is applied thereon so that the receiving portions may be molded into cavities for receiving the maxillary molars, followed by curing the material to retain the shape of the maxillary molar encasement cavities. The polymeric material selected for such methods is consistent with those identified for the interocclusal appliances according to the invention as noted earlier.

[00021] In particular variations the method may further comprise the step of indexing the appliance within the user's mouth during the installing step by locating front teeth in front of a slanted ledge formed at the central portion of the dental arch. Or, the method may further comprise the step of indexing the appliance within the user's mouth during the installing step by locating front teeth substantially adjacent to a front tooth guide extending generally upwardly from a top surface of the dental arch at the central portion.

[00022] Another alternative method of fabricating an interocclusal appliance for alleviating adverse effects of bruxing or clenching events may comprise forming a two-part preform. The preform has an appliance base of a polymeric material having a Shore A hardness of at least about 20, and an impression material bonded to such base. The impression material may have a Vicat softening temperature lower than the Vicat softening temperature of the material comprising the base. The polymeric material of the appliance base may be ethylene methyl acrylate (EMA) copolymers, acrylics, high density polyethylenes (HDPE), styrenics (IMPS), acrylonitrile-butadiene-

styrene (ABS) copolymers, and poly(methylmethacrylates) (IM-PMMA), and mixtures. In one variation the impression material is a polymeric material composition comprising from 0 to 85% by weight of an ethylene vinyl acetate copolymer having up to approximately 30% by weight vinyl acetate, and from 15 to 100% by weight of alpha-polyolefins. Alternatively, the impression material comprises no more than about 25% by weight vinyl acetate. The impression material may consist solely of alpha-polyolefins without ethylene vinyl acetate copolymers.

[00023] The polymeric material comprising the base may contain one or more larger particles or nanoparticles, such as for example pigments, colorants, plated clays, carbon fibrils and carbon nanotubes. The polymeric material comprising the impression material may contain one or more larger particles or nanoparticles as well.

[00024] The Shore A hardness of the base material may range between about 20 and about 80. The Shore A hardness of the base material may exceed 80.

[00025] In another embodiment of this method, the base may be formed in a configuration generally of a dental arch having a bottom plan surface and having two end portions and a central portion together forming said dental arch. The central portion may be shaped so as to be disposed behind at least some of the user's front teeth. The impression material is bonded to the top surface of the base, and the impression material defines receiving portions in the end portions of the base for receiving one or more molars at each end portion. The appliance formed from said base and impression material lacks substantial polymeric material in front of the user's

front teeth. The method may further comprise the steps of heating the impression material to a temperature that is above its Vicat softening temperature; and installing the appliance into a user's mouth and applying biting pressure thereon so that the receiving portions may be molded into cavities for receiving the maxillary molars.

[00026] In particular variations the method may further comprise the step of indexing the preform within the user's mouth during the installing step by locating front teeth in front of a slanted ledge formed at the central portion of the dental arch. Or, the method may further comprise the step of indexing the preform within the user's mouth during the installing step by locating front teeth substantially adjacent to a front tooth guide extending generally upwardly from a top surface of the dental arch at the central portion.

[00027] As another variation, excess impression material may be bonded at or near the receiving portions in the end portion of the base such that upon fitting the preform said excess impression material may engage the user's rear teeth that extend beyond the end portions of the base. The excess impression material engaging the rear teeth extends beyond the bottom surface of the end portions of the base.

[00028] Another method of fabricating an interocclusal appliance for alleviating adverse effects of bruxing or clenching events, comprises the steps of forming an appliance base from a polymeric material having a Shore A hardness of at least about 20; and bonding to the base an impression material of a polymeric material composition comprising an ethylene vinyl acetate copolymer having from 0 to 25% by weight vinyl acetate. As one alternative to this method, the Shore A hardness is at least about 80.

BRIEF DESCRIPTION OF THE DRAWINGS

[00029] FIG. 1 is a top plan view of a preform for an interocclusal appliance according to a first embodiment of the invention;

[00030] FIG. 2 is a front elevational view of the preform of FIG. 1;

[00031] FIG. 3 is a side elevational view of the preform of FIG. 1;

[00032] FIG. 4 is a right side elevational view in partial cross section, taken along line 4 – 4 in FIG. 1, showing the interocclusal appliance formed from the preform of the first embodiment fitted within in a user's mouth, with the front incisor tooth extending over the buccal peripheral wall of the appliance;

[00033] FIG. 5 is a is a top plan view of a preform of an interocclusal appliance according to a second embodiment of the invention;

[00034] FIG. 6 is a front elevational view of the preform of FIG. 5, showing the palate arch provided in such preform;

[00035] FIG. 7 is a right side elevational view of the preform of FIG. 5;

[00036] FIG. 8 is a cross-sectional view taken along line 8 – 8 of FIG. 5;

[00037] FIG. 9 is a top plan view of a preform of an interocclusal appliance according to a third embodiment of the invention;

[00038] FIG. 10 is a front elevational view of the interocclusal appliance formed from the preform of FIG. 9 that is fitted into a user's mouth, with the upper teeth and mouth cavity shown in phantom outline;

[00039] FIG. 11 is a right side elevational view of the interocclusal appliance formed from the preform of FIG. 9 fitted into a user's mouth, showing an incisor tooth extending over the buccal peripheral wall of the appliance and supported on a front ledge;

[00040] FIG. 12 is a cross-sectional view of the preform taken along line 12 – 12 of FIG. 9;

[00041] FIG. 12A is a front elevational view in partial cross section of a modified interocclusal appliance formed of one material and having a lingual peripheral wall, but lacking the buccal peripheral walls shown in the embodiment of FIG. 9;

[00042] FIG. 13 is top plan view of a preform of an interocclusal appliance according to a fourth embodiment of the invention;

[00043] FIG. 14 is a front elevational view of the preform of FIG. 13;

[00044] FIG. 15 is a bottom plan view of the preform of FIG. 13;

[00045] FIG. 16 is a right side elevational view of the preform of FIG. 13;

[00046] FIG. 17 is a top plan view of the interocclusal appliance formed from the preform of FIG. 13;

[00047] FIG. 18 is a front elevational view of the interocclusal appliance of FIG. 17;

[00048] FIG. 19 is a right side elevational view of the interocclusal appliance of FIG. 17;

[00049] FIG. 20 is a top plan view of a preform of a fifth embodiment of an interocclusal appliance according to the invention;

[00050] FIG. 21 is a front elevational view of the preform of FIG. 20;

[00051] FIG. 22 is a left side elevational view of the preform of FIG. 20;

[00052] FIG. 23 is a bottom view of the preform of FIG. 20;

[00053] FIG. 24 is a cross-sectional view taken along line 24 – 24 of FIG. 20;

[00054] FIG. 25 is a top plan view of the fifth embodiment of an interocclusal appliance formed from the preform of FIG. 20;

[00055] FIG. 26 is a front elevational view of the interocclusal appliance of FIG. 25;

[00056] FIG. 27 is perspective view of a preform for a sixth embodiment of an interocclusal appliance according to the invention;

[00057] FIG. 28 is a perspective view of a preform for a seventh embodiment of an interocclusal appliance according to the invention;

[00058] FIG. 29 is a perspective view of a preform for an eighth embodiment of an interocclusal appliance according to the invention;

[00059] FIG. 30 is a front elevational view of the preform of FIG. 29;

[00060] FIG. 31 is a top plan view of the preform of FIG. 29;

[00061] FIG. 32 is a left side elevational view of the preform of FIG. 29;

[00062] FIG. 33 is a cross sectional view of an alternative construction of a base with impression material of a preform for an interocclusal appliance in which the base lacks buccal and lingual peripheral side walls and the impression material contacts the top surface of the base;

[00063] FIG. 34 is a cross-sectional view of an alternative construction of a base with impression material of a preform for an interocclusal appliance in which the base has a concavely curved top surface and the impression material contacts the top surface of the base;

[00064] FIG. 35 is a cross-sectional view of the preform of FIG. 31, which has a base having buccal and lingual peripheral side walls and a top surface and impression material is held on the top surface in the space between the side walls; and

[00065] FIG. 36 is a front elevational view of a modification to the eighth embodiment of the interocclusal appliance according to the invention which incorporates breathing enhancing bores.

DESCRIPTION OF THE PREFERRED EMBODIMENTS

[00066] Referring first to FIGs. 1-3, a first embodiment of a preform **10** for an interocclusal appliance **42** is shown. The preform **10** has a base **12** or bite plate with a top surface and a bottom surface. An impression material **14** is bonded or adhered onto the top surface of the base **12**. One preferred bonding is by molding the impression material over the base. The base **12** may be formed by injection molding a thermoplastic resin into a base

mold cavity, and this base **12** is then placed into an occlusal appliance mold cavity. The impression material **14** may be injected into the occlusal appliance mold cavity over the base **12**. The mold bond between the base **12** and the impression material **14** (which later is transformed into the maxillary encasement) is required to withstand the lateral and compressive stresses encountered during bruxing or clenching at oral cavity temperatures.

[00067] The base **12** is in the form of a maxillary dental arch, having an end portion **16** at one terminus of said arch and another end portion **18** at the other terminus of said arch. Between the two end portions **16, 18** is a central portion **20** of the base. Preferably, and the bottom surface (or occlusal face) of the base is generally planar. The buccal sidewalls of the base **12** may slope downwardly from the rear of the preform **10** to the labial face at the central portion **20** as shown in FIG. 3. The thickness of the base material may range from about 0.25 mm to about 4.0 mm.

[00068] The impression material **14** generally covers the top surface of the base **12**. The impression material **14** is formed to have a first outer upstanding ridge **22** and a second outer upstanding ridge **24**, and an inner upstanding ridge **26**. Optionally, a step **28** is formed in the inner upstanding ridge **26** such that the inner upstanding ridge of impression material at the central portion **20** of the base is higher than the inner upstanding ridge of impression material formed at the end portions **16, 18** of the base **12**. The upper surfaces of the impression material between the outer upstanding ridges **22, 24** (buccal peripheral walls) and the inner upstanding ridge **26** (lingual peripheral wall) define tooth receiving portions **30, 32**. Tooth receiving portions **30, 32** may alternately be called pilot

channels configured to facilitate placement of the user's maxillary molars at an optimal position during and throughout self-fitting of the appliance. The front face **34** of the inner upstanding ridge **26** is sloped downwardly, at an angle complementary to the angle at which upper or maxillary front incisor and/or bicuspid teeth generally are disposed in an adult mouth. The impression material **14** is transformed into a maxillary molar encasement during self-fitting of the interocclusal appliance **42** (FIG. 4). Preferably, to secure a desired maxillary molar encasement, about 3.5 g to about 7.0 g of impression material covers the base material. However, more or less impression material may be used to form the preform as desired.

[00069] An interocclusal appliance **42** (FIG. 4) of a first embodiment of the invention is formed from the preform **10** of FIGs. 1-3. The preform **10** is heated, such as by immersion in boiling water for 30 seconds to 2 minutes to soften the impression material **14**. The preform **10** is heated to a temperature that can be comfortably withstood by oral tissue (e.g., preferably below about 140 °F). The preform **10** is then inserted into the mouth (oral cavity) with the upper molars (maxillary occlusal surfaces) seated in the teeth receiving portions **30, 32** of the preform **10**. Biting pressure is applied and the maxillary molars are impressed into the impression material **14**. The impression material flows over and around the molars to adapt to the shape of the surfaces of the maxillary molars. Upon cooling, the impression material **14** is transformed into a reusable flexible maxillary molar encasement within the appliance **42**.

[00070] Alternatively, depending upon polymeric material selected as the impression material, the interocclusal appliance **42** may be fitted first

and then heated to set the polymeric material. In this case, before heating, preform **10** is inserted into the mouth (oral cavity) with the upper molars (maxillary occlusal surfaces) seated in the teeth receiving portions **30, 32**. Biting pressure is applied and the maxillary molars are impressed into the impression material **14**. The preform **10** is then heated, such as by immersion in boiling water for a desired time so as to set the polymeric material into a reusable flexible maxillary molar encasement within the appliance **42**.

[00071] Referring back to FIG. 1, fitting of the preform **10** is simplified where the preform **10** flexes. By flexing it is meant that the end portions **16, 18** can be separated from one another a greater distance by urging end portion **18** away from end portion **16**. Thus, as shown in FIG. 1, end portions **16, 18** are separated from one another initially by a first distance, which can be represented by the distance **L1** from center line **C**. Upon flexing, end portions **16, 18** are separated from one another by a second distance, which is represented in FIG. 1 by the distance **L2** from the center line **C**, where **L2** is greater than **L1**. For example, the range of flex distance (**L2 – L1**) may be from about 2 to 35 mm. Even though the material selected for the base **12** is not expected to be softened upon heating during the fitting procedure, the configuration of the preform **10** with a base central portion **20** narrower in width than the widths of the end portions **16, 18** permits greater flexing and correspondingly greater ease when fitting the appliance over maxillary molars.

[00072] While the impression material **14** in the teeth receiving portions **30, 32** adapts to the shape of the surfaces of the maxillary molars, the upstanding ridge **26** may be lengthened and fitted to the user's palate

tissue extending behind the front teeth. Referring to FIG. 4, the appliance **42** has been fitted in a mouth **38** so that the upstanding ridge of the preform is stretched and thinned to form a flap or palate molded surface **44**. Thus, although FIG. 4 is identified as a partial cross-section of the preform in FIG. 1, more accurately, it is a partial cross-section of the appliance **42** formed from the preform of FIG. 1. The impression material forming the front portion of the upstanding ridge **26** including the step **28** in such ridge **26** has been shaped to conform to the user's palate and to support the user's front teeth when the appliance **42** is worn.

[00073] FIG. 4 also shows that the interocclusal appliance **42** fits in the user's mouth **38** such that the sloped front face **34** of the preform **10** now contacts the back surface of the user's front teeth **40**. No impression material **14** contacts the front surface of the user's front teeth. No impression material extends between the front teeth and the user's upper lip. No impression material and no base material extend below the lower tip of the user's front teeth. As so fitted, the interocclusal appliance leaves a more natural gap between a user's front incisor teeth. Such gap or air channel permits the user to breathe more naturally through his or her mouth during sleep.

[00074] For embodiments in which the impression material is heated before fitting to the teeth, rheological characteristics of the base polymeric material (often a thermoplastic material, but may be a thermoset material) include a Vicat softening temperature (ASTM D1525) of at least 65 °C., which is well above the temperatures reached during the fitting procedure, and a Shore A hardness of at least about 20. One range for Shore

A hardness for base materials is from about 20 to about 80 (e.g., 19 to 78). The polymeric material selected for the base has a softening temperature sufficiently above that of the polymeric material selected for the impression material such that the thickness of the base is not significantly reduced as a result of compressive forces during fitting. The base material must not be toxic to humans when incorporated into an interocclusal appliance for oral use.

[00075] Polymeric materials, including resins, meeting these criteria include, but are not limited to, ethylene methyl acrylate (EMA) copolymers, acrylics, high density polyethylenes (HDPE), styrenics (IMPS), acrylonitrile-butadiene-styrene (ABS) copolymers, poly(methylmethacrylates) (IM-PMMA), polypropylene, polycarbonate, polycaprolactam, polycaprolactone, polyurethanes, polyesters, polypropylene-ethylene propylene diene monomer (PP/EPDM), thermoplastic vulcanizates (TPV), acrylic rubber TPV, styrene-butadiene-styrene (SBS) TPV, low density polyethylene (LDPE), polyvinylchloride (PVC), very low density polyethylene (VLDPE), styrene-butadiene copolymer (SBC) elastomer compounds, styrene-butadiene-styrene (SBS) linear block copolymers, styrene-isoprene-styrene (SIS) linear block copolymers, styrene-butadiene (SB)n branched copolymers, styrene-co-ethylene-butene-styrene (SEBS) linear block copolymers, styrene-co-ethylene-propylene (SEP) diblock copolymers, styrene-co-ethylene-ethylene-propylene-styrene (SEEPS) copolymers, mineral reinforced thermoplastic ethylene-styrene (TES/SEBS), polyethersulfone (PES), glass reinforced polyethersulfone, polyphenylsulfone (PPSU), styrene-acrylonitrile (SAN), acrylic-styrene-methylmethacrylate

copolymers (NAS), polydimethylsilicone (PDMS), polyurea, silicone-polyurea, segmented polyurethane (SPU), perfluoroelastomer (FFKM), perfluoroelastomer (FEPM), chlorosulfonated polyethylene rubber, fluoroelastomer, silicone room temperature vulcanizate (RTV), cast polyurethane, chloroprene rubber, hydrogenated nitrile-butadiene rubber (HNBR), nitrile rubber, silicone rubber, perfluoroelastomer compounds (FFKT), and mixtures thereof.

[00076] An exemplary thermoplastic material suitable for the base is an ethylene methyl acrylate (EMA) copolymer available from DuPont under the trademark ELVALOY®1609 AC. This EMA copolymer contains approximately 9% by weight acrylate and has a Vicat softening temperature of 70 °C., and a Shore A hardness of 97. Another thermoplastic material that may be used for the base is ELVALOY® EMA copolymer blended with ELVAX® EVA ethylene vinyl acetate copolymer or with PELLETHANE® TPU elastomer, such as in proportion ranging between 10% to 50% PELLETHANE TPU by weight. PELLETHANE® 2103-80 AEN is a thermoplastic polyurethane elastomer available from Dow Chemical Co. Yet another thermoplastic material that may be used for the base is ELVAX 750 EVA blended with LLDPE or LDPE with the LLDPE or LDPE content ranging from 25% to 90% by weight.

[00077] Other exemplary thermoplastic materials suitable for the base are Cyro Acrilite SuPure M30 acrylic available from Cyro Industries, Nova Sclair 2908 high density polyethylene (HDPE) available from Nova Chemicals, Nova Chemicals NAS 30 Series High Performance Styrenic, and BASF Terluc 2812 acrylonitrile-butadiene-styrene copolymer. Table 1 below

identifies characteristics of certain of these exemplary polymeric materials.

Such materials are indicated as FDA-approved for oral use.

[00078] Table 1

Property/Polymer Bottom Material	Flex Mod (Gpa)	Durometer, D, M, R	Notched Izod (J/cm)	Haze %	FDA 21 CFR	Linear Shrink (cm/cm)
Elvaloy 1609	0.80	46 D	NV-Med	NV-Med	Yes 177.1520(b)	NV
Acrylic	3-3.3	90-94 M	0.25	1.0	Yes	NV
High Density Polyethylene (HDPE)	0.80-1.28	55-69 D 60 R <55M	0.2-0.8	NV-High	Yes 177.1520(c) 2.2	NV
Poly(propylene) (h-PP, co-PP)	1.37	108 R	0.3	NV-High	Yes	
Styrenics (IMPS, PS)	2-3.3	70-74 M	0.2-1.27	0.6-1.0	Yes Class VI	0.002-0.006
Polyesters (PET, PBT)	1.7-4.1	72-93 M	0.27-NB	NV-Low	Yes	
Injection Molded Poly(methylmethacrylate) (PMMA, IM-PMMA)	2.6-3.1	68-89 M	0.12-0.3	1-2	Yes 177.1010; 180.22;1580	0.002-0.006
Poly(carbonate) (PC)	1.8-4.1	65 M 118 R	16-21	1-2	Yes	
Poly(caprolactam) Nylon 6	0.1-3.2	55-88 M	0.7-NB	NV-High	Yes	
Acrylonitrile-butadiene-styrene co-polymer (ABS)	2.65	60 M	1.25	NV-Med	Yes Class IV	0.4-0.7 (in/in)

NV= No value

NB=No break

[00079] Suitable polymeric materials for the impression material

14 include thermosetting and thermoplastic polymer resins. Potential polymeric materials for the impression material include ethylene methyl acrylate (EMA) copolymers, ethylene vinyl acetate (EVA) copolymers, acrylics, high density polyethylenes (HDPE), styrenics (IMPS), acrylonitrile-butadiene-styrene (ABS) copolymers, poly(methylmethacrylates) (IM-PMMA), alpha-polyolefins, polypropylene –ethylene propylene diene monomer

(PP/EPDM) thermoplastic vulcanizates (TPV), acrylic rubber TPV, styrene-butadiene-styrene (SBS) TPV, low density polyethylene (LDPE), polyvinylchloride (PVC), styrene-butadiene copolymer (SBC) elastomer compounds, styrene-butadiene-styrene (SBS) linear block copolymers, styrene-isoprene-styrene (SIS) linear block copolymers, styrene-butadiene (SB)_n branched copolymers, styrene-co-ethylene-butene-styrene (SEBS) linear block copolymers, styrene-co-ethylene-propylene (SEP) diblock copolymers, styrene-co-ethylene-ethylene-propylene-styrene (SEEPS) copolymers, mineral reinforced thermoplastic ethylene-styrene (TES/SEBS), styrene-acrylonitrile (SAN), polydimethylsilicone (PDMS), polyurea, silicone-polyurea, segmented polyurethanes (SPU), perfluoroelastomer (FFKM), perfluoroelastomer (FEPM), chlorosulfonated polyethylene rubber, fluoroelastomer, silicone room temperature vulcanizate (RTV), cast polyurethane, chloroprene rubber, hydrogenated nitrile-butadiene rubber (HNBR), nitrile rubber, silicone rubber, perfluoroelastomer compounds (FFKT), and mixtures thereof.

[00080] Such polymeric materials for the impression material may include an ethylene vinyl acetate (EVA) copolymer available from DuPont under the trademark ELVAX® having a vinyl acetate content of at least 25%. One preferred EVA copolymer is ELVAX® 150 having a 33% vinyl acetate content by weight, a Vicat softening temperature of 36 °C., and a Shore A hardness of 73. Alternatively, the impression material may be an alpha-polyolefin, such as EXACT 4006 available from ExxonMobil, ENGAGE 8407 and ENGAGE 8842 available from Dow Chemical or AFFINITY EG 8200G available from Dow Chemical. The polymeric material for the impression

material may be a mixture of resins, such as from 10 to 100% by weight alpha-polyolefin with from 0 to 90% by weight of an ethylene vinyl acetate copolymer having up to about 30% by weight vinyl acetate. Alternatively, such mixture may be from 15 to 100% by weight alpha polyolefin with from 0 to 85% by weight of an ethylene vinyl acetate copolymer having up to about 30% by weight vinyl acetate. Table 2 below sets out characteristics of certain of these exemplary polymeric materials. Such materials are indicated as FDA-approved for oral use.

[00081] Table 2

Property/Polymer – Impression Material	Vicat Soften Pt, C/F	Duro meter A	Duro meter D	Melting Pt, C/F	FDA 21 CFR
Elvax 150	36/97	73	24	63/145	177.1350 (a)(1)
Exact 4006	43/109	79	20	60/140	175.105 (a)(2)
Engage 8407	41	72	20	60	177.1520(c) 3.2c
Engage 8842	CNA	54	11	38	177.1520(c) 3.2c
Affinity EG 8200G	<45/ <113	70	NV	63/145	176.170(c)

NV= No value

CNA= Can not Ascertain

[00082] Particles, including larger particles or nanoparticles may be added to the polymeric materials forming the base or the impression material. For example, colorants (such as pigments known for use with thermoplastic and thermoset resins) may be incorporated into the base or impression material to improve aesthetics. Colorants may have added benefit to serve as a wear indicator, so that the user can detect when portions of the base material are wearing down due to bruxing or clenching after an

appliance is worn. As another example, plated clays, carbon fibrils and/or carbon nanotubes may be added to enhance strength of the base material or the impression material.

[00083] Referring next to FIGs. 5 to 8, a second embodiment of the invention comprises a preform **50** having a base **52** or bite plate with a top surface and a bottom surface. An impression material **54** is adhered or bonded onto the top surface of the base **52**, such as by co-molding. The base **52** has two end portions **56, 58** that are joined by an arch **60** formed between the two end portions **56, 58**. Arch **60** curves concavely such that each bottom tip of said arch meets an end portion. The bottom surfaces (or occlusal faces) of the end portions **56, 58** of the base are generally planar. The buccal sidewalls of the end portions of the base **12** may slope downwardly slightly from the rear of the preform **50** toward the front of the preform as shown in FIG. 7.

[00084] By virtue of flexibility of the arch **60** material, the preform **50** may be flexed from a first position where end portions **56, 58** are spaced apart a first distance to a second position where end portions **56, 58** are spaced apart a second distance, where the second distance is greater than the first distance. Notches **62, 64** are formed in the base **52** where each bottom tip of said arch **60** meets an end portion **56, 58**. Notches **62, 64** enhance the ability to flex the preform **50** from a first position where end portions **56, 58** are spaced apart a first distance to a second position where end portions **56, 58** are spaced apart a second distance, where the second distance is greater than the first distance. Such flexing is not shown in FIG. 5.

[00085] The impression material **54** generally covers the top surface of the base **52**. The impression material **54** is formed to have a first outer upstanding ridge **66** and a second outer upstanding ridge **68**, and an inner upstanding ridge **70** that extends from arch **60**. The upper surfaces of the impression material between the outer upstanding ridges **66, 68** (buccal peripheral walls) and the inner upstanding ridge **70** (lingual peripheral wall) define tooth receiving portions **72, 74**. Tooth receiving portions **72, 74** may alternately be called pilot channels configured to facilitate placement of the user's maxillary molars at an optimal position during and throughout self-fitting of the appliance. The top face of the arch **60** is sloped downwardly, at an angle complementary to the angle of a palate in an adult mouth. The impression material **54** at the teeth receiving portions **72, 74** is transformed into a maxillary molar encasement during self-fitting of the interocclusal appliance of this second embodiment. In addition, the arch **60**, which aids in self-fitting the interocclusal appliance in the mouth, may be stretched and thinned to conform to the palate surface behind the front maxillary teeth when the impression material **54** is softened for self-fitting the appliance.

[00086] A finished appliance according to this second embodiment is not shown in the Figures. However, just as with the first embodiment shown in FIG. 4, for this second embodiment of interocclusal appliance, no impression material **54** contacts the front surface of the user's front teeth. No impression material extends between the front teeth and the user's upper lip. No impression material and no base material extend below the lower tip of the user's front teeth. The front teeth are supported by the

impression material from behind, but are not encased in impression material, and thus the interocclusal appliance is more comfortable to wear.

[00087] FIGs. 9 to 12 show a preform **80** and an interocclusal appliance **110** for a third embodiment of the invention (appliance **110** shown in FIG. 11). The preform **80** has a base **82** and impression material **84** molded to a top surface of such base **82**. The base **82** is in the shape of a maxillary dental arch, having end portions **86, 88** and a central portion **90** between such end portions **86, 88**. The end portions **86, 88** have upstanding side walls **87, 89** and an upstanding lingual wall **91** that extends along the dental arch along the end portions **86, 88** and the central portion **90**. The central portion **90** of the base **82** has only the upstanding lingual wall **91**, and does not have an upstanding labial or front wall.

[00088] The impression material **84** generally covers the top surface of the base **82**. The impression material **84** is formed to have a first outer upstanding ridge **92** and a second outer upstanding ridge **94**, and an inner upstanding ridge **96**. Optionally, a step (not shown) may be formed in the inner upstanding ridge **96** such that the inner upstanding ridge of impression material at the central portion **90** of the base is higher than the inner upstanding ridge of impression material formed at the end portions **86, 88** of the base **82**. The upper surfaces of the impression material between the outer upstanding ridges **92, 94** (buccal peripheral walls) and the inner upstanding ridge **96** (lingual peripheral wall) define tooth receiving portions **98, 100**. Tooth receiving portions **98, 100** may alternately be called pilot channels configured to facilitate placement of the user's maxillary molars at an optimal position during and throughout self-fitting of the appliance. The

front face **102** of the inner upstanding ridge **96** is sloped downwardly, at an angle complementary to the angle at which upper or maxillary front incisor and/or bicuspid teeth generally are disposed in an adult mouth. The impression material **84** is transformed into a maxillary molar encasement during self-fitting of the interocclusal appliance **110** (FIG. 11).

[00089] While the impression material **84** in the teeth receiving portions **98, 100** adapts to the shape of the surfaces of the maxillary molars, the upstanding ridge **96** may be lengthened and fitted to the user's palate tissue extending behind the front teeth **104**. Referring to FIG. 11, the appliance **110** has been fitted in a mouth **106** so that the upstanding ridge of the preform is stretched and thinned to form a flap or palate molded surface **112**.

[00090] FIG. 11 also shows that the interocclusal appliance **110** fits in the user's mouth **106** such that the sloped front face **102** of the impression material contacts the back surface of the user's front teeth **104** to support those teeth as the appliance is worn. The top surface of the base **82** contacts the lower tips of the user's front teeth. As illustrated in FIG. 11, no impression material **84** contacts the front surfaces of the user's front teeth. No impression material extends between the front teeth and the user's upper lip. Thus, this third embodiment is comparable to the first embodiment shown in FIG. 4, except that base material extends below the lower tips of the user's front teeth **104** to support those teeth when the appliance is worn. In this manner, base material or bite plate separates occlusal surfaces of all of the user's teeth, not just the molars.

[00091] While the first **10**, second **50** and third **80** embodiments of the preforms according to the invention have been shown optimally without any impression material extending between the front surfaces of the user's front teeth and the user's upper lip, some impression material may contact the user's front teeth in finished appliances within the scope of the invention. Not all users will have complete sets of front teeth, and not all users will have dental arches that match the span of the dental arch of the preform. Thus, it is intended that appliances formed from preforms that do not have substantial impression material extending in front of a user's front teeth are within the scope of the present invention. Unlike prior self-fitted interocclusal appliances, to achieve the comfortable fit desired herein, the appliances according to the invention are not intended to have substantial impression material or base material in front of a user's teeth, or in contact with a user's front (labial) gum tissue.

[00092] A fourth embodiment of a preform **120** for an interocclusal appliance **140** (appliance **140** shown in FIGs. 17 to 19) is shown in FIGs. 13 to 16. The preform **120** has a first base portion **122** and a second base portion **123**. The base portions form bite plates with generally smooth and planar bottom surfaces and with top surfaces designed to receive impression material. The top surfaces have front edges and rear edges.

[00093] Impression material **124** is bonded or attached (such as by molding) to the top surfaces of the base portions **122**, **123**. As shown in FIGs. 13 to 16, the impression material **124** has a right side molded to the first base portion **122** and a left side molded to the second base portion **123**. The right and left sides are joined together by a bridge **130** of impression material

124. The right side and left side have outer upstanding ridges **132** and inner upstanding ridges **134** defining tooth receiving portions **136** and **138**. Bridge **130** is shown in FIGs. 13 and 15 as being centrally disposed between base portions **122** and **123**. It is also conceivable that such bridge **130** may be positioned closer to the rear edges of the base portions **122**, **123**. Shifting the location of bridge **130** of impression material **124** may enhance fitting of the appliance into a user's mouth by making a more comfortable engagement with the user's palate (as described in more detail below).

[00094] For embodiments in which a heat and fit procedure is used, upon heating preform **120**, impression material **124** is softened. The preform **120** is then installed in the user's mouth with the maxillary molars in contact with the tooth receiving portions **136**, **138**. The softer impression material forming the bridge **130** in the preform **120** enables the user to flex the first and second base portions **122**, **123** closer to or farther from one another during fitting. Upon applying biting pressure, impressions or indentations of left side and right side molars **144**, **146** are made in the impression material **124**. During the fitting procedure, the impression material forming bridge **130** is also softened such that bridge **130** may be shaped into a palate arch **142** to conform to the contour of the user's palate. Accordingly, an interocclusal appliance **140** (FIGs. 17 to 19) comfortably shapes to fit the bite surfaces of the maxillary molars, with a palate arch **142** to help maintain the appliance in register within the user's mouth. No impression material or base material is in contact with the user's front teeth. No impression material or base material is present between the user's front lip and front teeth.

[00095] Referring next to FIGs. 20 to 24, a fifth embodiment of a preform **150** for an interocclusal appliance **160** (appliance **160** shown in FIGs. 25 and 26) is shown. The preform **150** has a base **152** to which is bonded or adhered (such as by molding) an impression material **154**. The base **152** forms an arc shape comparable to the maxillary arch or mandibular arch of the front teeth in an adult mouth, with a pair of parallel curved front and rear walls and two end walls. The base **152** has a front labial ridge **156** upstanding from the top surface of the base. Preferably, the front labial ridge **156** extends along the entire front wall or labial edge of the base **152**. The base **152** has a generally smooth and planar bottom surface for occlusal contact between front teeth.

[00096] Impression material **154** is bonded or molded to the top surface of the base **152**. Impression material **154** follows the dental arch contour of the base **152**. The top surface of the impression material **154** comprises tooth receiving portion **158**.

[00097] When using a heat and fit procedure, an interocclusal appliance **160** is formed upon heating the preform **150** to soften the impression material **154** without substantially softening the base material. The preform **150** is then inserted into the mouth such that the impression material is in contact with the tips of the user's front teeth. Biting pressure is applied to imbed either the maxillary front teeth or the mandibular front teeth into the impression material **154**. The front labial ridge **156** of the base **152** helps to seat the teeth in proper register during the fitting procedure.

[00098] A portion of the impression material **154** takes impression of the user's front teeth. Tooth indentations **162** are thus formed in the

interocclusal appliance **160** (see FIG. 25). Preferably, impressions or indentations **162** are formed for at least six front maxillary teeth, such as incisors and bicuspid. In FIG. 25, the appliance **160** has impressions or indentations **162** for eight front teeth.

[00099] During the fitting procedure for an appliance to be worn over the maxillary front teeth, the user may shape the impression material **154** of the preform **150** to create a lingual lip or palate-contoured raised flap **164** that helps to engage the appliance **160** and register it in suitable position in the user's mouth. The palate contoured raised flap **164** may be formed by pressing the softened impression material **154** with the tongue or with fingers or thumbs while preform with softened impression material **154** is held within the mouth.

[000100] Concurrently, as the dental impressions or indentations **162** are formed in the impression material **154**, the impression material may form a raised or upstanding front (labial) lip **166**. In this way the interocclusal appliance **160** contacts the front and rear surfaces of the user's front teeth, with the base **152** disposed under the tips of such teeth.

[000101] The interocclusal appliance **160** of FIGs. 25 and 26 is different from the other appliance embodiments described previously herein in that no base material or impression material encases the maxillary or mandibular molars. The appliance **160** separates the upper and lower teeth by spacing apart the front teeth, rather than by spacing apart the back teeth or molars. Still, such embodiment is more comfortable than prior self-fitting interocclusal appliances because the front teeth (incisors and bicuspid) are

supported at the rear and no substantial impression material contacts the user's upper front gums.

[000102] Referring next to FIG. 27, a sixth embodiment of a preform **180** for an interocclusal appliance is shown. The preform **180** has a base **182** or bite plate with a top surface and a bottom surface. An impression material **184** is bonded or adhered (such as by molding) onto the top surface of the base **182**. The base **182** may be formed by injection molding a thermoplastic resin into a base mold cavity, and this base **182** is then placed into an occlusal appliance mold cavity. The impression material **184** may be injected into the occlusal appliance mold cavity over the base **182**. The mold bond between the base **182** and the impression material **184** (which later is transformed into the maxillary or mandibular encasement) is required to withstand the lateral and compressive stresses encountered during bruxing or clenching at oral cavity temperatures.

[000103] The base **182** is in the form of a maxillary or mandibular dental arch, having an end portion **186** at one terminus of said arch and another end portion **188** at the other terminus of said arch. Between the two end portions **186**, **188** is a central portion **190** of the base. Preferably, and the bottom surface (or occlusal face) of the base is generally planar. The buccal sidewalls of the base **182** may slope slightly downwardly from the rear of the preform **180** to the labial face at the central portion **190**. The thickness of the base material may range from about 0.25 mm to about 4.0 mm.

[000104] The impression material **184** generally covers the top surface of the base **182**. The impression material **184** is formed to have a first outer upstanding ridge **192** (buccal peripheral wall) and a second outer

upstanding ridge **194** (buccal peripheral wall), and an inner upstanding ridge **196** (lingual peripheral wall). The upper surfaces of the impression material between the outer upstanding ridges **192, 194** (buccal peripheral walls) and the inner upstanding ridge **196** (lingual peripheral wall) define tooth receiving portions **198, 200**. Tooth receiving portions **198, 200** may alternately be called pilot channels configured to facilitate placement of the user's maxillary or mandibular molars at an optimal position during and throughout self-fitting of the appliance. A front ledge **202** formed in the impression material **184** at the center portion **190** is sloped downwardly. For an appliance to be worn over upper teeth, this slope may be at an angle complementary to the angle at which upper or maxillary front incisor and/or bicuspid teeth generally are disposed in an adult mouth. The impression material **184** is transformed into either a maxillary molar encasement or mandibular molar encasement during self-fitting of the interocclusal appliance.

[000105] A heat and fit self-fitting procedure may be used to form an interocclusal appliance of the sixth embodiment of the invention from the preform **180** of FIG. 27 for wearing over the maxillary (upper) teeth. First, the preform **180** is heated, such as by immersion in boiling water for 30 seconds to 2 minutes to soften the impression material **184**. The preform **180** is heated to a temperature that can be comfortably withstood by oral tissue, such as a temperature between about 110 °F and 140 °F. The preform **180** is then inserted into the mouth (oral cavity) with the upper molars (maxillary occlusal surfaces) seated in the teeth receiving portions **198, 200** of the preform **180**. Biting pressure is applied and the maxillary molars are impressed into the impression material **184**. The impression material flows

over and around the molars to adapt to the shape of the surfaces of the maxillary molars. Concurrently, the impression material **184** at the ledge **202** and the impression material forming the central portion of the inner ridge **196** may be shaped to conform to a portion of the user's palate behind the front teeth. Upon cooling, the impression material **184** is transformed into a reusable flexible maxillary molar encasement within the appliance. No impression material **184** or only an insubstantial amount of impression material contacts the front surface of the user's front teeth. No substantial impression material extends between the front teeth and the user's upper lip. No impression material and no base material extend below the lower tips of the user's front teeth. (Alternatively, the base material may extend below the lower tips of the user's front teeth for extra support.) As so fitted, the interocclusal appliance of this sixth embodiment leaves a more natural gap between a user's front incisor teeth. Such gap or air channel permits the user to breathe more naturally through his or her mouth during sleep.

[000106] Referring next to FIG. 28, a seventh embodiment of the invention comprises a preform **210** having a base **212** or bite plate with a top surface and a bottom surface. An impression material **214** is bonded or adhered onto the top surface of the base **212**. The base **212** has two end portions **216**, **218** that are joined by a center portion **220** formed between the two end portions **216**, **218**. The bottom surfaces (or occlusal faces) of the end portions **216**, **218** of the base are generally planar. The buccal sidewalls of the end portions of the base **212** may slope downwardly from the rear of the preform **220** toward the front of the preform.

[000107] Because the center portion **220** has a shorter width in cross-section than the end portions **216, 218**, the preform **220** has ability to flex, comparable to the embodiment shown in FIG. 1. The preform **220** may be flexed from a first position where end portions **216, 218** are spaced apart a first distance to a second position where end portions **216, 218** are spaced apart a second distance, where the second distance is greater than the first distance.

[000108] In the embodiment in FIG. 28, the impression material **214** generally covers the top surface of the base **212**. The impression material **214** is formed to have a first outer upstanding ridge **222** and a second outer upstanding ridge **224**, and an inner upstanding ridge **226** (lingual peripheral wall) in the form of an arc. A raised step **227** is formed at the center portion of the upstanding ridge **226**. The upper surfaces of the impression material between the outer upstanding ridges **222, 224** (buccal peripheral walls) and the inner upstanding ridge **226** (lingual peripheral wall) define tooth receiving portions **228, 230**. Tooth receiving portions **228, 230** may alternately be called pilot channels configured to facilitate placement of the user's maxillary molars (or mandibular molars) at an optimal position during and throughout self-fitting of the appliance. The impression material **214** at the teeth receiving portions **228, 230** is transformed into a maxillary molar encasement (or alternatively mandibular molar encasement) during self-fitting of the interocclusal appliance of this seventh embodiment.

[000109] The impression material **214** of the preform **220** also is formed to have a downwardly sloped front face **232** at the central portion **220**. This downwardly sloped front face **232** helps to register and seat the preform

in the user's mouth behind the front teeth. The downwardly sloped front face **232** may be shaped to conform to a portion of the user's palate behind the front teeth during the self-fitting procedure. Just as with the embodiment of FIGs. 1-4, if a heat and fit self-fitting procedure is used, the preform **220** is heated, such as by immersion in hot water, to soften the impression material **214** before the preform **220** is inserted over the teeth of the user's maxillary arch to transform into a maxillary molar encasement. Alternatively, the heated preform **220** may be inserted over the teeth of the user's mandibular arch to transform into a mandibular molar encasement.

[000110] A finished appliance according to this seventh embodiment is not shown in the Figures. However, just as with the first embodiment shown in FIG. 4, for this seventh embodiment of interocclusal appliance, no substantial impression material **214** contacts the front surface of the user's front teeth. No substantial impression material extends between the front teeth and the user's upper lip. No impression material and no base material extend below the lower tip of the user's front teeth. The front teeth are not encased in impression material, and thus the interocclusal appliance is more comfortable to wear.

[000111] An eighth embodiment of the invention shown in FIGs. 29 to 32 and 35 comprises a preform **240** having a base **242** or bite plate in the form of a dental arch and having a top surface and a bottom surface. An impression material **244** is bonded or adhered onto the top surface of the base **242**. The base **242** has two end portions **241**, **243** that are joined by a center portion **249** formed between the two end portions **241**, **243**. The bottom surfaces (or occlusal faces) of the end portions **241**, **243** of the base

are generally planar and slope downwardly toward the center portion **249** of the arch forming the base **242**. The buccal sidewalls of the end portions **241**, **243** of the base **242** may slope downwardly from the rear of the preform **240** toward the front of the preform as shown best in FIG. 32.

[000112] The impression material **244** generally covers the top surface of the base **242**. Extra impression material **244** may extend beyond the end portions **241**, **243** of the base **242**. Preferably, about 3.5 g to about 7.0 g of impression material are included in the preform according to this embodiment shown in FIG. 29 to ensure sufficient molar encasement. The impression material **244** is formed to have a first outer upstanding ridge **246** and a second outer upstanding ridge **247**, and an inner upstanding ridge **248** (lingual peripheral wall) in the form of an arc. The impression material **244** follows the slope contour of the base **242**, and the top surface of the outer upstanding ridges **246**, **247** may slope at the same angle or at a different angle from the slope of the base **242**. At the front ends **256**, **258** of the outer upstanding ridges **246**, **247** the slope of the top surface of the impression material may change to a steeper angle than at the end or mid point of such ridges. In addition, at the center portion of the arc of the base **242**, the top surface of the impression material **244** more steeply slopes downwardly forming a ledge **250**. Such slanted front ledge **250** facilitates fitting the preform into the user's mouth when self-fitting to form an interocclusal appliance as explained in more detail below.

[000113] The impression material ledge **250** terminates at the apex portion of the arch of the base **242**. Thus, a portion of the top surface of the base **242** at the apex portion of the arc or arch is exposed without impression

material **244** thereon. At that apex portion of the arc, a ridge **260** extends slightly upwardly from the top surface of the base **242**. Such ridge **260** facilitates seating the preform **240** into a user's mouth when fitting the interocclusal appliance as explained in more detail below. While illustrated as a continuous upstanding ridge in FIGs 29-32, a guide to facilitate seating the preform **240** into a user's mouth alternatively may be a single raised portion or a series of raised portions, such as nibs or burrs, or a discontinuous ridge, such as a series of raised dashes.

[000114] The ridge **260** and the surface of the base **242** have a greater surface area exposed without impression material in the space adjacent to the front ends **256, 258** of the outer upstanding ridges **246, 247**. Such base top surface without impression material facilitates positioning the preform **240** into a user's mouth and conforming the impression material to the teeth and palate surfaces when fitting the interocclusal appliance as explained in more detail below.

[000115] The upper surfaces of the impression material between the outer upstanding ridges **246, 247** (buccal peripheral walls) and the inner upstanding ridge **248** (lingual peripheral wall) define tooth receiving portions **252, 254**. Tooth receiving portions **252, 254** may alternately be called pilot channels configured to facilitate placement of the user's maxillary molars at an optimal position during and throughout self-fitting of the appliance over the maxillary teeth. The impression material **244** at the teeth receiving portions **252, 254** is transformed into a maxillary molar encasement during self-fitting of the interocclusal appliance of this eighth embodiment.

[000116] The fitting procedure in some respects is similar to that for other embodiments having a base or base plate and associated impression material described above. Just as with the embodiment of FIGs. 1-4, for a heat and fit procedure, the preform **240** is heated, such as by immersion in hot water, to soften the impression material **244** before the preform **240** is inserted over the teeth of the user's maxillary arch to transform into a maxillary molar encasement. The combination of the ledge **250** and the ridge **260** assist a user to install the preform **240** for a conforming fit. The user seats the tips of his incisor teeth on the base surface adjacent to the ridge **260** and between the ridge **260** of the base **242** and the ledge **250** of impression material **244**. The ridge **260** guides the user to maintain at least a portion of the base top surface under the tips of the incisor teeth. The ledge **250** assists with shaping the softened impression material **244** so as to better conform to the space behind the user's front incisors and to contact the user's palate behind the user's front incisors. The spaces adjacent to the front ends **256, 258** of the ridges provide additional room for cuspid and/or bicuspid teeth, which have a greater tip diameter/depth than do incisors. As such, the spaces adjacent to the front ends **256, 258** permit the tips of cuspids/bicuspids to seat on the top surface of the base **242** during the fitting procedure.

[000117] A finished appliance according to this eighth embodiment (FIGs. 29-32 and 35) is not shown in the Figures. However, just as with the first embodiment shown in FIG. 4, for this eighth embodiment of the interocclusal appliance, no substantial impression material **244** contacts the front surface of the user's front teeth. No substantial impression material

extends between the front teeth and the user's upper lip. However, the lower tips of the user's front teeth are supported by the top surface of the base material **242** and are appropriately positioned there with guidance from the ridge **260**. Thus, a minor height of base material (e.g., the ridge **260**) contacts the front surfaces of the user's front teeth. The molars are encased in impression material, but the front teeth are not so encased. Thus the interocclusal appliance is more comfortable to wear.

[000118] Referring next to FIG. 36, an alternate embodiment of the preform **240A** of FIGs. 29 to 32 is shown. In this alternate embodiment, the base **242A** has been modified to incorporate a series of bores **266** extending through the material forming the base. Such bores **266** provide air channels for greater breathing comfort when the interocclusal appliance is worn over the teeth. Bores **266** are shown as circular in FIG. 36, but may also be configured as slots or channels or any suitable alternative cross-sectional shape. Bores **266** are shown extending through the middle of the thickness of the base **242A**, but also might be formed at the bottom surface of the base.

[000119] FIGs. 33 to 35 illustrate alternate cross sections for molar receiving portions of preforms to form interocclusal appliances according the present invention. Referring first to FIG. 35, which is a cross-sectional view of the preform **240** of FIG. 31, the impression material **244** is held in contact with the top surface of the base **242** between and over the side walls **241** formed in such base **242**. In such an embodiment, a pilot channel is formed between the side walls **247**, **248** to assist a user to seat the molars within the preform during fitting. Alternatively, referring to FIG. 33, a preform may be formed without pilot channels, such that the impression material **272** contacts the top

surface of the base **270**. As another alternative, the preform may have a base **280** with a concavely dished top surface and the impression material **282** may be held in contact with that dished surface. The outer edges of the dished top surface of the base **282** help to seat the molars within the interocclusal appliance formed from such preform.

[000120] To accommodate fitting persons with larger jaws whose rear teeth extend beyond the rear edges of the end portions of the base, excess impression material may be bonded at, near or in the receiving portions of the base of the two component preforms. Such excess impression material will flow beyond the end portions of the base, to encase or engage the user's rear teeth. In this way, a preform having a base with a shorter dental arch may be fitted to a user with a larger jaw. Hence, a smaller size preform may be offered that can still accommodate those users with larger jaw sizes. Unlike some current commercial products that have a larger base or tray that must be cut to shorten to fit users with smaller jaw sizes, the present invention can be formed with a commensurately smaller base. No cutting is needed. The impression material then can expand out of the base to fit users with larger jaws.

[000121] Many of the embodiments according to the invention described herein include a base in combination with an impression material, wherein the base is formed from a polymeric material that has a higher softening point temperature than does the impression material bonded or adhered thereto. Alternatively, it is within the scope of the invention herein to form a self-fitted interocclusal appliance with a single polymer material that has a softening point sufficient to be fitted to a user's maxillary or mandibular

teeth and upon setting has a hardness sufficient to protect the user's teeth during bruxing or clenching events when the appliance is worn. For example, as shown in FIG. 12A, a preform **280** is formed with a single polymeric material (or mixture of materials) without a distinct separate base and impression material. While similar to the preform **80** of FIGs. 9-12, the preform **280** in Fig. 12A includes a lingual peripheral wall **282** but lacks buccal peripheral walls.

[000122] Suitable polymer materials that may be selected for a one-component preform include thermoset and thermoplastic polymers (or mixtures thereof) wherein the polymers (or mixtures) have a Shore A hardness of at least 20. For example, alpha polyolefins mixed with ethylene vinyl acetate copolymers having 30% by weight or more of vinyl acetate for increased hardness may meet the rigorous requirements for a one component preform.

[000123] The invention has been illustrated by detailed description and examples of the preferred embodiments. Various changes in form and detail will be within the skill of persons skilled in the art. Therefore, the invention must be measured by the claims and not by the description of the examples or the preferred embodiments.

CLAIMS

1. An interocclusal appliance (**10, 240, 280**) for fitting over maxillary teeth of a user, comprising:

a polymeric material formed in a configuration generally of a dental arch having a bottom plan surface and having two end portions (**16, 18, 86, 88, 186, 188, 216, 218, 241, 243**) and a central portion (**20, 90, 190, 220, 249**) together forming said dental arch, wherein said end portions each define receiving portions (**30, 32, 98, 100, 198, 200, 228, 230, 252, 254**) for receiving at least one maxillary molar, and said central portion (**20, 90, 190, 220, 249**) shaped so as to be disposed behind at least some of the user's front teeth; and

wherein said interocclusal appliance (**10, 80, 180, 210, 240**) formed from said polymeric material lacks substantial material in front of the user's front teeth.

2. The interocclusal appliance of claim 1, wherein the end portions (**16, 18, 86, 88, 186, 188, 216, 218, 241, 243**) of the dental arch may be spaced further from one another by flexing the polymeric material.

3. The interocclusal appliance of claim 1, wherein upon heating the polymeric material to a temperature that is above its Vicat softening temperature, the receiving portions (**30, 32, 98, 100, 198, 200, 228, 230, 252, 254**) may be molded into cavities for receiving at least one maxillary molar, and said central portion (**20, 90, 190, 220, 249**) may be shaped to conform to a portion of the user's palate behind one or more of the user's front teeth.

4. The interocclusal appliance of claim 1, wherein the receiving portions (**30, 32, 98, 100, 198, 200, 228, 230, 252, 254**) releaseably fit over two or more of the user's maxillary molars, and once fitted, the appliance is maintained in fitted position in the user's mouth over such maxillary molars until the user elects to remove said appliance from the mouth.

5. The interocclusal appliance of claim 1, wherein the central portion (20, 90, 190, 220, 249) forms a preformed upstanding bridge or arch (28, 60, 196, 227, 249) between the end portions (16, 18, 86, 88, 186, 188, 216, 218, 241, 243).
6. The interocclusal appliance of claim 1, wherein a slanted ledge (102, 202, 232, 250) is formed at the central portion (90, 190, 220, 249).
7. The interocclusal appliance of claim 1, wherein a front tooth guide (260) extends generally upwardly from a top surface of the dental arch at the central portion (249).
8. The interocclusal appliance of claim 7, wherein the front tooth guide (260) comprises a continuous arcuate ridge.
9. The interocclusal appliance of claim 7, wherein the front tooth guide comprises one or more projections.
10. The interocclusal appliance of claim 1, wherein an inner upstanding ridge (26, 70, 96, 196, 226, 246, 248) extends generally upwardly from a top surface of the dental arch.
11. The interocclusal appliance of claim 1, wherein an outer upstanding ridge (26, 70, 96, 196, 226, 246, 248) extends generally upwardly from a top surface of the dental arch at at least one end portion.
12. The interocclusal appliance of claim 10, wherein an outer upstanding ridge extends generally upwardly from a top surface of the dental arch at at least one end portion.
13. The interocclusal appliance of claim 1, wherein the polymeric material has a Shore A hardness of at least about 20.

14. The interocclusal appliance of claim 1, wherein the polymeric material comprises a material selected from the group consisting of: ethylene methyl acrylate (EMA) copolymers, ethylene vinyl acetate (EVA) copolymers, acrylics, high density polyethylenes (HDPE), styrenics (IMPS), acrylonitrile-butadiene-styrene (ABS) copolymers, poly(methylmethacrylates) (IM-PMMA), alpha-polyolefins, polypropylene, polycarbonate, polycaprolactam, polycaprolactone, polyurethanes, polyesters, and mixtures thereof.

15. The interocclusal appliance of claim 1, wherein the polymeric material comprises a resin or mixture of resins further incorporating a one or more types of larger particles or nanoparticles.

16. The interocclusal appliance of claim 15, wherein the particles are selected from the group consisting of pigments, colorants, plated clays, carbon fibrils, carbon nanotubes, and mixtures thereof.

17. An interocclusal appliance (**180, 210, 240, 240A, 280**) for fitting over maxillary or mandibular teeth of a user, comprising:

a preform (**80, 180, 210, 240, 240A, 270, 280**) comprising a base (**52, 82, 182, 212, 242**) and an impression material (**54, 84, 184, 214, 244**), wherein the base has a bottom plan surface in a configuration of a dental arch having two end portions and a central portion together forming said dental arch, and said base has a top surface;

wherein the impression material is bonded to the top surface of said base, with said impression material defining receiving portions (**72, 74, 98, 100, 198, 200, 228, 230, 252, 254**) in the end portions of the base for receiving one or more molars at each end portion;

wherein said impression material comprises a polymeric material that has a Vicat softening temperature, and said base comprises a polymeric material, and upon heating the preform to a temperature that is above the Vicat softening temperature of the impression material polymeric material, the receiving portions may be molded into cavities for receiving at least one molar; and

wherein said interocclusal appliance formed from said preform lacks substantial polymeric material in front of the user's front teeth.

18. The interocclusal appliance of claim 17, further comprising an inner upstanding ridge (26, 70, 96, 196, 226, 248) extending generally upwardly from the top surface of the dental arch.

19. The interocclusal appliance of claim 18, wherein the upstanding inner ridge (26, 70, 96, 196, 226, 248) of impression material extends from right side end portion to left side end portion along the entire lingual surface of the preform.

20. The interocclusal appliance of claim 17, further comprising an outer upstanding ridge (66, 68, 92, 94, 192, 194, 222, 224, 246, 247) extending generally upwardly from the top surface of the dental arch at at least one end portion.

21. The interocclusal appliance of claim 17, wherein the top surface of the base is either substantially flat, slanted, or concavely dished at at least one end portion.

22. The interocclusal appliance of claim 17, further comprising a slanted ledge (102, 202, 232, 250) of impression material formed at the central portion.

23. The interocclusal appliance of claim 17, wherein a front tooth guide (260) extends generally upwardly from a top surface of the dental arch at the central portion.

24. The interocclusal appliance of claim 23, wherein the front tooth guide (260) comprises a continuous arcuate ridge.

25. The interocclusal appliance of claim 23, wherein the front tooth guide comprises one or more projections.

26. The interocclusal appliance of claim 17, further comprising an upstanding arch (60, 96, 196, 227, 246, 248) of impression material that bridges between the receiving portions in the preform.
27. The interocclusal appliance of claim 17, wherein the appliance lacks polymeric material in contact with the tips of at least some of the user's front teeth.
28. The interocclusal appliance of claim 17, wherein the appliance has polymeric material in contact with at least some of the tips of the user's front teeth.
29. The interocclusal appliance of claim 17, wherein an air flow passage (266) is formed within or under the central portion of the base.
30. The interocclusal appliance of claim 17, wherein at least one air flow passage (266) is formed in the base.
31. The interocclusal appliance of claim 17, wherein the end portions of the base are spaced apart a first distance and may be separated to be spaced apart a second distance greater than the first distance by flexing the preform.
32. The interocclusal appliance of claim 31, wherein the second distance is greater than the first distance in the range of about 2 to about 35 mm.
33. The interocclusal appliance of claim 17, wherein the base defines at least one notch (62, 64) between one end portion and the central portion.
34. The interocclusal appliance of claim 17, wherein an upstanding arch (60) of impression material bridges between the receiving portions in the preform, and at least one notch (62, 64) is formed at one end of the arch.

35. The interocclusal appliance of claim 17, wherein the receiving portions in the end portions of the base are shaped to receive one or more maxillary molars.

36. The interocclusal appliance of claim 17, wherein excess impression material is bonded at or near the receiving portions in the end portions of the base such that upon fitting the appliance said excess impression material may engage the user's rear teeth that extend beyond the end portions of the base.

37. The interocclusal appliance of claim 36, wherein the excess impression material engaging the rear teeth extends beyond the bottom plan surface of the base.

38. The interocclusal appliance of claim 17, wherein the polymeric material forming the base has a Shore A hardness of at least about 20.

39. The interocclusal appliance of claim 17, wherein the base comprises a polymeric material selected from the group consisting of: ethylene methyl acrylate (EMA) copolymers, acrylics, high density polyethylenes (HDPE), styrenics (IMPS), acrylonitrile-butadiene-styrene (ABS) copolymers, poly(methylmethacrylates) (IM-PMMA), polypropylene, polycarbonate, polycaprolactam, polycaprolactone, polyurethanes, polyesters, polypropylene-ethylene propylene diene monomer (PP/EPDM), thermoplastic vulcanizates (TPV), acrylic rubber TPV, styrene-butadiene-styrene (SBS) TPV, low density polyethylene (LDPE), polyvinylchloride (PVC), very low density polyethylene (VLDPE), styrene-butadiene copolymer (SBC) elastomer compounds, styrene-butadiene-styrene (SBS) linear block copolymers, styrene-isoprene-styrene (SIS) linear block copolymers, styrene-butadiene (SB)_n branched copolymers, styrene-co-ethylene-butene-styrene (SEBS) linear block copolymers, styrene-co-ethylene-propylene (SEP) diblock copolymers, styrene-co-ethylene-ethylene-propylene-styrene (SEEPS) copolymers, mineral reinforced thermoplastic ethylene-styrene (TES/SEBS), polyethersulfone (PES), glass reinforced polyethersulfone, polyphenylsulfone (PPSU), styrene-acrylonitrile (SAN), acrylic-styrene-methylmethacrylate

copolymers (NAS), polydimethylsilicone (PDMS), polyurea, silicone-polyurea, segmented polyurethane (SPU), perfluoroelastomer (FFKM), perfluoroelastomer (FEPM), chlorosulfonated polyethylene rubber, fluoroelastomer, silicone room temperature vulcanizate (RTV), cast polyurethane, chloroprene rubber, hydrogenated nitrile-butadiene rubber (HNBR), nitrile rubber, silicone rubber, perfluoroelastomer compounds (FFKT), and mixtures thereof.

40. The interocclusal appliance of claim 17, wherein the impression material comprises a polymeric material selected from the group consisting of: ethylene methyl acrylate (EMA) copolymers, ethylene vinyl acetate (EVA) copolymers, acrylics, high density polyethylenes (HDPE), styrenics (IMPS), acrylonitrile-butadiene-styrene (ABS) copolymers, poly(methylmethacrylates) (IM-PMMA), alpha-polyolefins, polypropylene-ethylene propylene diene monomer (PP/EPDM) thermoplastic vulcanizates (TPV), acrylic rubber TPV, styrene-butadiene-styrene (SBS) TPV, low density polyethylene (LDPE), polyvinylchloride (PVC), styrene-butadiene copolymer (SBC) elastomer compounds, styrene-butadiene-styrene (SBS) linear block copolymers, styrene-isoprene-styrene (SIS) linear block copolymers, styrene-butadiene (SB)_n branched copolymers, styrene-co-ethylene-butene-styrene (SEBS) linear block copolymers, styrene-co-ethylene-propylene (SEP) diblock copolymers, styrene-co-ethylene-ethylene-propylene-styrene (SEEPS) copolymers, mineral reinforced thermoplastic ethylene-styrene (TES/SEBS), styrene-acrylonitrile (SAN), polydimethylsilicone (PDMS), polyurea, silicone-polyurea, segmented polyurethanes (SPU), perfluoroelastomer (FFKM), perfluoroelastomer (FEPM), chlorosulfonated polyethylene rubber, fluoroelastomer, silicone room temperature vulcanizate (RTV), cast polyurethane, chloroprene rubber, hydrogenated nitrile-butadiene rubber (HNBR), nitrile rubber, silicone rubber, perfluoroelastomer compounds (FFKT), and mixtures thereof.

41. The interocclusal appliance of claim 17, wherein impression material comprises from 0 to 85% by weight of an ethylene vinyl acetate copolymer

having up to about 30% by weight vinyl acetate or mixture of such copolymers, and from 15 to 100% by weight of one or more alpha-polyolefins.

42. The interocclusal appliance of claim 41, wherein the ethylene vinyl acetate copolymer or mixture of such copolymers has less than about 10% by weight vinyl acetate.

43. The interocclusal appliance of claim 17, wherein the polymeric material forming the base has a Shore A hardness of at least 20 and the impression material comprises an ethylene vinyl acetate copolymer or mixture of said copolymers having from about 0 to about 30% by weight vinyl acetate.

44. The interocclusal appliance of claim 17, wherein the polymeric material of the base further incorporates one or more types of larger particles or nanoparticles.

45. The interocclusal appliance of claim 17, wherein the polymeric material of the impression material further incorporates one or more types of larger particles or nanoparticles.

46. The interocclusal appliance of claim 44, wherein the nanoparticles are selected from the group consisting of pigments, colorants, plated clays, carbon fibrils, carbon nanotubes, and mixtures thereof.

47. The interocclusal appliance of claim 45, wherein the nanoparticles are selected from the group consisting of pigments, colorants, plated clays, carbon fibrils, carbon nanotubes, and mixtures thereof.

48. An interocclusal appliance (**140**) for fitting over maxillary teeth of a user, comprising:

a preform (**120**) comprising a first base (**122**), a second base (**123**) and an impression material (**124**), wherein the first and second bases each have bottom surfaces, and have top plan surfaces in a configuration for

receiving two or more maxillary molars, with the first base spaced apart from the second base;

wherein first and second portions of the impression material are bonded to top surfaces of said first base and said second base, with said portions of impression material defining receiving portions (**136, 138**) for receiving maxillary molars, and wherein a third portion of said impression material forms a bridge (**130**) between the first base and the second base; and

wherein said impression material (**124**) comprises a polymeric material that has a Vicat softening temperature, and said bases (**122, 123**) comprise a polymeric material, and upon heating the preform to a temperature that is above the Vicat softening temperature of the impression material, the receiving portions may be molded into cavities for receiving the maxillary molars, and said bridge of impression material may be shaped to conform to a portion of a user's palate.

49. The interocclusal appliance of claim 48, wherein said interocclusal appliance lacks material in contact with front surfaces of the user's front teeth.

50. The interocclusal appliance of claim 48, wherein said first portion of impression material forms a channel (**136**) with upstanding side ridges (**132, 134**) to help the user position the preform (**120**) to receive maxillary molars.

51. The interocclusal appliance of claim 50, wherein said second portion of impression material forms a channel (**138**) with upstanding side ridges (**132, 134**) to help the user position the preform to receive maxillary molars.

52. The interocclusal appliance of claim 48, wherein excess impression material is bonded at or near the receiving portions in the end portion of each base such that upon fitting the appliance said excess impression material may engage the user's rear teeth that extend beyond the end portions of the bases.

53. The interocclusal appliance of claim 52, wherein the excess impression material engaging the rear teeth extends beyond the bottom surfaces of each base.

54. The interocclusal appliance of claim 48, wherein the polymeric material forming the bases has a Shore A hardness of at least about 20.

55. The interocclusal appliance of claim 48, wherein the bases comprise a polymeric material selected from the group consisting of: ethylene methyl acrylate (EMA) copolymers, acrylics, high density polyethylenes (HDPE), styrenics (IMPS), acrylonitrile-butadiene-styrene (ABS) copolymers, poly(methylmethacrylates) (IM-PMMA), polypropylene, polycarbonate, polycaprolactam, polycaprolactone, polyurethanes, polyesters, polypropylene-ethylene propylene diene monomer (PP/EPDM), thermoplastic vulcanizates (TPV), acrylic rubber TPV, styrene-butadiene-styrene (SBS) TPV, low density polyethylene (LDPE), polyvinylchloride (PVC), very low density polyethylene (VLDPE), styrene-butadiene copolymer (SBC) elastomer compounds, styrene-butadiene-styrene (SBS) linear block copolymers, styrene-isoprene-styrene (SIS) linear block copolymers, styrene-butadiene (SB)_n branched copolymers, styrene-co-ethylene-butene-styrene (SEBS) linear block copolymers, styrene-co-ethylene-propylene (SEP) diblock copolymers, styrene-co-ethylene-ethylene-propylene-styrene (SEEPS) copolymers, mineral reinforced thermoplastic ethylene-styrene (TES/SEBS), polyethersulfone (PES), glass reinforced polyethersulfone, polyphenylsulfone (PPSU), styrene-acrylonitrile (SAN), acrylic-styrene-methylmethacrylate copolymers (NAS), polydimethylsilicone (PDMS), polyurea, silicone-polyurea, segmented polyurethane (SPU), perfluoroelastomer (FFKM), perfluoroelastomer (FEPM), chlorosulfonated polyethylene rubber, fluoroelastomer, silicone room temperature vulcanizate (RTV), cast polyurethane, chloroprene rubber, hydrogenated nitrile-butadiene rubber (HNBR), nitrile rubber, silicone rubber, perfluoroelastomer compounds (FFKT), and mixtures thereof.

56. The interocclusal appliance of claim 48, wherein the impression material comprises a polymeric material selected from the group consisting of: ethylene methyl acrylate (EMA) copolymers, ethylene vinyl acetate (EVA) copolymers, acrylics, high density polyethylenes (HDPE), styrenics (IMPS), acrylonitrile-butadiene-styrene (ABS) copolymers, poly(methylmethacrylates) (IM-PMMA), alpha-polyolefins, polypropylene-ethylene propylene diene monomer (PP/EPDM) thermoplastic vulcanizates (TPV), acrylic rubber TPV, styrene-butadiene-styrene (SBS) TPV, low density polyethylene (LDPE), polyvinylchloride (PVC), styrene-butadiene copolymer (SBC) elastomer compounds, styrene-butadiene-styrene (SBS) linear block copolymers, styrene-isoprene-styrene (SIS) linear block copolymers, styrene-butadiene (SB)_n branched copolymers, styrene-co-ethylene-butene-styrene (SEBS) linear block copolymers, styrene-co-ethylene-propylene (SEP) diblock copolymers, styrene-co-ethylene-ethylene-propylene-styrene (SEEPS) copolymers, mineral reinforced thermoplastic ethylene-styrene (TES/SEBS), styrene-acrylonitrile (SAN), polydimethylsilicone (PDMS), polyurea, silicone-polyurea, segmented polyurethanes (SPU), perfluoroelastomer (FFKM), perfluoroelastomer (FEPM), chlorosulfonated polyethylene rubber, fluoroelastomer, silicone room temperature vulcanizate (RTV), cast polyurethane, chloroprene rubber, hydrogenated nitrile-butadiene rubber (HNBR), nitrile rubber, silicone rubber, perfluoroelastomer compounds (FFKT), and mixtures thereof.

57. The interocclusal appliance of claim 48, wherein impression material comprises from 0 to 85% by weight of an ethylene vinyl acetate copolymer having up to about 30% by weight vinyl acetate or mixture of such copolymers, and from 15 to 100% by weight of one or more alpha-polyolefins.

58. The interocclusal appliance of claim 57, wherein the ethylene vinyl acetate copolymer or mixture of such copolymers has less than about 10% by weight vinyl acetate.

59. The interocclusal appliance of claim 48, wherein the polymeric material of the base further incorporates one or more types of larger particles or nanoparticles.

60. The interocclusal appliance of claim 48, wherein the polymeric material of the impression material further incorporates one or more types of larger particles or nanoparticles.

61. The interocclusal appliance of claim 59, wherein the nanoparticles are selected from the group consisting of pigments, colorants, plated clays, carbon fibrils, carbon nanotubes, and mixtures thereof.

62. The interocclusal appliance of claim 60, wherein the nanoparticles are selected from the group consisting of pigments, colorants, plated clays, carbon fibrils, carbon nanotubes, and mixtures thereof.

63. An interocclusal appliance (**160**) for fitting over maxillary incisor teeth of a user, comprising:

a preform (**150**) comprising a base (**152**) and an impression material (**154**), wherein the base has a bottom plan surface in a configuration of a partial dental arch;

wherein the impression material (**154**) is bonded to the top surface of said base, with said impression material defining a receiving portion for receiving two or more maxillary front teeth;

wherein said impression material comprises a polymeric material that has a Vicat softening temperature, and said base comprises a polymeric material, and upon heating the preform to a temperature that is above the Vicat softening temperature of the impression material, the receiving portion may be molded into cavities for receiving the maxillary front teeth, and a portion of said impression material may be shaped to conform to a portion of the user's palate behind the user's front teeth; and

wherein said interocclusal appliance lacks impression material in contact with the user's maxillary molars.

64. The interocclusal appliance of claim 63, further comprising an upstanding labial ridge (156) extending from the base.
65. The interocclusal appliance of claim 63, wherein the receiving portion has a sufficient span to receive at least six maxillary front teeth.
66. The interocclusal appliance of claim 63, wherein a portion of the impression material may be shaped in contact with front surfaces of the user's incisors.
67. The interocclusal appliance of claim 63, wherein the polymeric material forming the base has a Shore A hardness of at least about 20.
68. The interocclusal appliance of claim 63, wherein the base comprises a polymeric material selected from the group consisting of: ethylene methyl acrylate (EMA) copolymers, acrylics, high density polyethylenes (HDPE), styrenics (IMPS), acrylonitrile-butadiene-styrene (ABS) copolymers, poly(methylmethacrylates) (IM-PMMA), polypropylene, polycarbonate, polycaprolactam, polycaprolactone, polyurethanes, polyesters, polypropylene-ethylene propylene diene monomer (PP/EPDM), thermoplastic vulcanizates (TPV), acrylic rubber TPV, styrene-butadiene-styrene (SBS) TPV, low density polyethylene (LDPE), polyvinylchloride (PVC), very low density polyethylene (VLDPE), styrene-butadiene copolymer (SBC) elastomer compounds, styrene-butadiene-styrene (SBS) linear block copolymers, styrene-isoprene-styrene (SIS) linear block copolymers, styrene-butadiene (SB)_n branched copolymers, styrene-co-ethylene-butene-styrene (SEBS) linear block copolymers, styrene-co-ethylene-propylene (SEP) diblock copolymers, styrene-co-ethylene-ethylene-propylene-styrene (SEEPS) copolymers, mineral reinforced thermoplastic ethylene-styrene (TES/SEBS), polyethersulfone (PES), glass reinforced polyethersulfone, polyphenylsulfone (PPSU), styrene-acrylonitrile (SAN), acrylic-styrene-methylmethacrylate copolymers (NAS), polydimethylsilicone (PDMS), polyurea, silicone-polyurea, segmented polyurethane (SPU), perfluoroelastomer (FFKM), perfluoroelastomer (FEPM), chlorosulfonated polyethylene rubber,

fluoroelastomer, silicone room temperature vulcanizate (RTV), cast polyurethane, chloroprene rubber, hydrogenated nitrile-butadiene rubber (HNBR), nitrile rubber, silicone rubber, perfluoroelastomer compounds (FFKT), and mixtures thereof.

69. The interocclusal appliance of claim 63, wherein the impression material comprises a polymeric material selected from the group consisting of: ethylene methyl acrylate (EMA) copolymers, ethylene vinyl acetate (EVA) copolymers, acrylics, high density polyethylenes (HDPE), styrenics (IMPS), acrylonitrile-butadiene-styrene (ABS) copolymers, poly(methylmethacrylates) (IM-PMMA), alpha-polyolefins, polypropylene-ethylene propylene diene monomer (PP/EPDM) thermoplastic vulcanizates (TPV), acrylic rubber TPV, styrene-butadiene-styrene (SBS) TPV, low density polyethylene (LDPE), polyvinylchloride (PVC), styrene-butadiene copolymer (SBC) elastomer compounds, styrene-butadiene-styrene (SBS) linear block copolymers, styrene-isoprene-styrene (SIS) linear block copolymers, styrene-butadiene (SB)_n branched copolymers, styrene-co-ethylene-butene-styrene (SEBS) linear block copolymers, styrene-co-ethylene-propylene (SEP) diblock copolymers, styrene-co-ethylene-ethylene-propylene-styrene (SEEPS) copolymers, mineral reinforced thermoplastic ethylene-styrene (TES/SEBS), styrene-acrylonitrile (SAN), polydimethylsilicone (PDMS), polyurea, silicone-polyurea, segmented polyurethanes (SPU), perfluoroelastomer (FFKM), perfluoroelastomer (FEPM), chlorosulfonated polyethylene rubber, fluoroelastomer, silicone room temperature vulcanizate (RTV), cast polyurethane, chloroprene rubber, hydrogenated nitrile-butadiene rubber (HNBR), nitrile rubber, silicone rubber, perfluoroelastomer compounds (FFKT), and mixtures thereof.

70. The interocclusal appliance of claim 63, wherein impression material comprises from 0 to 85% by weight of an ethylene vinyl acetate copolymer having up to about 30% by weight vinyl acetate or mixture of such copolymers, and from 15 to 100% by weight of one or more alpha-polyolefins.

71. The interocclusal appliance of claim 70, wherein the ethylene vinyl acetate copolymer or mixture of such copolymers has less than about 10% by weight vinyl acetate.

72. The interocclusal appliance of claim 63, wherein the polymeric material of the base further incorporates one or more types of larger particles or nanoparticles.

73. The interocclusal appliance of claim 63, wherein the polymeric material of the impression material further incorporates one or more types of larger particles or nanoparticles.

74. A method of fabricating an interocclusal appliance for alleviating adverse effects of bruxing or clenching events, comprising:

(a) forming a one component appliance from a polymeric material having a Shore A hardness of at least 20.

75. The method of claim 74, wherein the polymeric material is formed in a configuration generally of a dental arch having a bottom plan surface and having two end portions and a central portion together forming said dental arch, wherein said end portions each define receiving portions for receiving at least one maxillary molar, and said central portion shaped so as to be disposed behind at least some of the user's front teeth; and

wherein said interocclusal appliance formed from said polymeric material lacks substantial material in front of the user's front teeth.

76. The method of claim 75, further comprising:

(b) heating the polymeric material to a temperature that is above its Vicat softening temperature; and

(c) installing the appliance into a user's mouth so that when the user applies biting pressure thereon the receiving portions may be molded into cavities for receiving at least one maxillary molar.

77. The method of claim 76, further comprising:

(d) indexing the appliance within the user's mouth during the installing step by locating front teeth in front of a slanted ledge formed at the central portion of the dental arch.

78. The method of claim 76, further comprising:

(d) indexing the appliance within the user's mouth during the installing step by locating front teeth substantially adjacent to a front tooth guide extending generally upwardly from a top surface of the dental arch at the central portion.

79. The method of claim 74, wherein the polymeric material is selected from the group consisting of: ethylene methyl acrylate (EMA) copolymers, acrylics, high density polyethylenes (HDPE), styrenics (IMPS), acrylonitrile-butadiene-styrene (ABS) copolymers, poly(methylmethacrylates) (IM-PMMA), polypropylene, polycarbonate, polycaprolactam, polycaprolactone, polyurethanes, polyesters, alpha-polyolefins, and mixtures thereof.

80. The method of claim 74, wherein the polymeric material contains one or more larger particles or nanoparticles.

81. A method of fabricating an interocclusal appliance for alleviating adverse effects of bruxing or clenching events, comprising:

(a) forming an appliance base from a polymeric material having a Shore A hardness of at least about 20; and

(b) bonding to the base an impression material of a polymeric material composition comprising from 0 to about 85% by weight of an ethylene vinyl acetate copolymer or mixture of such copolymers having up to approximately 30% by weight vinyl acetate, and from about 15 to 100% by weight of alpha-polyolefins.

82. The method of claim 81, wherein the impression material further incorporates one or more larger particles or nanoparticles.

83. The method of claim 82, wherein the particles are selected from the group consisting of pigments, colorants, plated clays, carbon fibrils, carbon nanotubes, and mixtures thereof.

84. The method of claim 81, wherein the base further incorporates one or more larger particles or nanoparticles.

85. The method of claim 84, wherein the particles are selected from the group consisting of pigments, colorants, plated clays, carbon fibrils, carbon nanotubes, and mixtures thereof.

86. The method of claim 81, wherein the polymeric material of the appliance base is selected from the group consisting of: ethylene methyl acrylate (EMA) copolymers, acrylics, high density polyethylenes (HDPE), styrenics (IMPS), acrylonitrile-butadiene-styrene (ABS) copolymers, poly(methylmethacrylates) (IM-PMMA), polypropylene, polycarbonate, polycaprolactam, polycaprolactone, polyurethanes, polyesters, polypropylene-ethylene propylene diene monomer (PP/EPDM), thermoplastic vulcanizates (TPV), acrylic rubber TPV, styrene-butadiene-styrene (SBS) TPV, low density polyethylene (LDPE), polyvinylchloride (PVC), very low density polyethylene (VLDPE), styrene-butadiene copolymer (SBC) elastomer compounds, styrene-butadiene-styrene (SBS) linear block copolymers, styrene-isoprene-styrene (SIS) linear block copolymers, styrene-butadiene (SB)_n branched copolymers, styrene-co-ethylene-butene-styrene (SEBS) linear block copolymers, styrene-co-ethylene-propylene (SEP) diblock copolymers, styrene-co-ethylene-ethylene-propylene-styrene (SEEPS) copolymers, mineral reinforced thermoplastic ethylene-styrene (TES/SEBS), polyethersulfone (PES), glass reinforced polyethersulfone, polyphenylsulfone (PPSU), styrene-acrylonitrile (SAN), acrylic-styrene-methylmethacrylate copolymers (NAS), polydimethylsilicone (PDMS), polyurea, silicone-polyurea, segmented polyurethane (SPU), perfluoroelastomer (FFKM), perfluoroelastomer (FEPM), chlorosulfonated polyethylene rubber, fluoroelastomer, silicone room temperature vulcanizate (RTV), cast polyurethane, chloroprene rubber, hydrogenated nitrile-butadiene rubber

(HNBR), nitrile rubber, silicone rubber, perfluoroelastomer compounds (FFKT), and mixtures thereof.

87. The method of claim 81, wherein the impression material comprises no more than about 10% by weight vinyl acetate.

88. The method of claim 81, wherein the impression material comprises up to about 25% by weight vinyl acetate.

89. The method of claim 81, wherein the impression material comprises one or more alpha-polyolefins without ethylene vinyl acetate.

90. The method of claim 81, wherein the Shore A hardness of the base material is between about 20 and about 80.

91. The method of claim 81, wherein the Shore A hardness of the base material is at least about 80.

92. The method of claim 81, wherein the base is formed in a configuration generally of a dental arch having a bottom plan surface and having two end portions and a central portion together forming said dental arch, and said central portion shaped so as to be disposed behind at least some of the user's front teeth, and

wherein the impression material is bonded to the top surface of said base, with said impression material defining receiving portions in the end portions of the base for receiving one or more molars at each end portion; and wherein said appliance formed from said base and impression material lacks substantial polymeric material in front of the user's front teeth.

93. The method of claim 92, further comprising:

(b) heating the impression material to a temperature that is above its Vicat softening temperature; and

(c) installing the appliance into a user's mouth so that when the user applies biting pressure thereon the receiving portions may be molded into cavities for receiving the maxillary molars.

94. The method of claim 93, further comprising:

(d) indexing the appliance within the user's mouth during the installing step by locating front teeth in front of a slanted ledge of impression material formed at the central portion of the dental arch.

95. The method of claim 93, further comprising:

(d) indexing the appliance within the user's mouth during the installing step by locating front teeth substantially adjacent to a front tooth guide extending generally upwardly from a top surface of the dental arch at the central portion of the base.

96. The method of claim 92, wherein the impression material is present in an amount from about 3.5 g to about 7.0 g of material.

97. The method of claim 92, wherein excess impression material is bonded at or near the receiving portions in the end portion of the base such that upon fitting the appliance said excess impression material may engage the user's rear teeth that extend beyond the end portions of the base.

98. The method of claim 97, wherein the excess impression material engaging the rear teeth extends beyond the bottom surface of the end portions of the base.

99. A method of fabricating an interocclusal appliance for alleviating adverse effects of bruxing or clenching events, comprising:

(a) forming an appliance base from a polymeric material having a Shore A hardness of at least about 20; and

(b) bonding to the base an impression material of a polymeric material composition comprising an ethylene vinyl acetate copolymer having from 0 to about 25% by weight vinyl acetate.

100. The method of claim 99, wherein the Shore A hardness is at least about 80.
101. The method of claim 99, wherein the impression material is present in an amount from about 3.5 g to about 7.0 g of material.
102. A method of fabricating an interocclusal appliance for alleviating adverse effects of bruxing or clenching events, comprising:
forming at least one component of said appliance from a thermoset or thermoplastic polymer resin composition or combination with less than about 10% by weight vinyl acetate.
103. The method of claim 102, wherein the composition or combination further comprises one or more larger particles or nanoparticles.
104. A method of fabricating an interocclusal appliance for alleviating adverse effects of bruxing or clenching events, comprising:
(a) forming a base from a polymeric material having a Shore A hardness of at least about 20; and
(b) bonding an impression material to said base, wherein said impression material is a thermoset or thermoplastic polymer resin composition or combination with less than about 10% by weight vinyl acetate.
105. The method of claim 104, wherein the composition or combination of the impression material further comprises one or more larger particles or nanoparticles.
106. The method of claim 104, wherein the impression material is present in an amount from about 3.5 g to about 7.0 g of material.
107. A method of fabricating an interocclusal appliance for alleviating adverse effects of bruxing or clenching events, comprising:
(a) forming a base; and

(b) bonding an impression material to said base, wherein said impression material is an alpha-polyolefin or combination of alpha-polyolefins.

108. The method of claim 107, wherein the impression material further comprises one or more larger particles or nanoparticles.

109. The method of claim 107, wherein the impression material further comprises less than 10% by weight vinyl acetate.

110. The method of claim 107, wherein the impression material is present in an amount from about 3.5 g to about 7.0 g of material.

111. A method of fabricating an interocclusal appliance for alleviating adverse effects of bruxing or clenching events, comprising:

(a) forming a base from a polymeric material having a Shore A hardness between about 20 to below 80; and

(b) bonding to the base an impression material from a resin comprising an ethylene acetate copolymer having up to about 30% by weight vinyl acetate.

112. A method of fabricating an interocclusal appliance for alleviating adverse effects of bruxing or clenching events, comprising:

(a) forming an appliance base from a polymeric material having a Shore A hardness of at least about 20; and

(b) bonding to the base an impression material, wherein the base is formed in a configuration generally of a dental arch having a bottom plan surface and having two end portions and a central portion together forming said dental arch, and said central portion shaped so as to be disposed behind at least some of the user's front teeth, and wherein the impression material is bonded to the top surface of said base, with said impression material defining receiving portions in the end portions of the base for receiving one or more molars at each end portion; and wherein said appliance formed from said base and impression material lacks substantial polymeric material in front of the user's front teeth.

113. The method of claim 112, wherein the polymeric material of the appliance base is selected from the group consisting of: ethylene methyl acrylate (EMA) copolymers, acrylics, high density polyethylenes (HDPE), styrenics (IMPS), acrylonitrile-butadiene-styrene (ABS) copolymers, poly(methylmethacrylates) (IM-PMMA), polypropylene, polycarbonate, polycaprolactam, polycaprolactone, polyurethanes, polyesters, polypropylene-ethylene propylene diene monomer (PP/EPDM), thermoplastic vulcanizates (TPV), acrylic rubber TPV, styrene-butadiene-styrene (SBS) TPV, low density polyethylene (LDPE), polyvinylchloride (PVC), very low density polyethylene (VLDPE), styrene-butadiene copolymer (SBC) elastomer compounds, styrene-butadiene-styrene (SBS) linear block copolymers, styrene-isoprene-styrene (SIS) linear block copolymers, styrene-butadiene (SB)_n branched copolymers, styrene-co-ethylene-butene-styrene (SEBS) linear block copolymers, styrene-co-ethylene-propylene (SEP) diblock copolymers, styrene-co-ethylene-ethylene-propylene-styrene (SEEPS) copolymers, mineral reinforced thermoplastic ethylene-styrene (TES/SEBS), polyethersulfone (PES), glass reinforced polyethersulfone, polyphenylsulfone (PPSU), styrene-acrylonitrile (SAN), acrylic-styrene-methylmethacrylate copolymers (NAS), polydimethylsilicone (PDMS), polyurea, silicone-polyurea, segmented polyurethane (SPU), perfluoroelastomer (FFKM), perfluoroelastomer (FEPM), chlorosulfonated polyethylene rubber, fluoroelastomer, silicone room temperature vulcanizate (RTV), cast polyurethane, chloroprene rubber, hydrogenated nitrile-butadiene rubber (HNBR), nitrile rubber, silicone rubber, perfluoroelastomer compounds (FFKT), and mixtures thereof.

114. The method of claim 112, wherein the impression material comprises a polymeric material selected from the group consisting of: ethylene methyl acrylate (EMA) copolymers, ethylene vinyl acetate (EVA) copolymers, acrylics, high density polyethylenes (HDPE), styrenics (IMPS), acrylonitrile-butadiene-styrene (ABS) copolymers, poly(methylmethacrylates) (IM-PMMA), alpha-polyolefins, polypropylene-ethylene propylene diene monomer (PP/EPDM) thermoplastic vulcanizates (TPV), acrylic rubber TPV, styrene-

butadiene-styrene (SBS) TPV, low density polyethylene (LDPE), polyvinylchloride (PVC), styrene-butadiene copolymer (SBC) elastomer compounds, styrene-butadiene-styrene (SBS) linear block copolymers, styrene-isoprene-styrene (SIS) linear block copolymers, styrene-butadiene (SB)n branched copolymers, styrene-co-ethylene-butene-styrene (SEBS) linear block copolymers, styrene-co-ethylene-propylene (SEP) diblock copolymers, styrene-co-ethylene-ethylene-propylene-styrene (SEEPS) copolymers, mineral reinforced thermoplastic ethylene-styrene (TES/SEBS) , styrene-acrylonitrile (SAN), polydimethylsilicone (PDMS), polyurea, silicone-polyurea, segmented polyurethanes (SPU), perfluoroelastomer (FFKM), perfluoroelastomer (FEPM), chlorosulfonated polyethylene rubber, fluoroelastomer, silicone room temperature vulcanizate (RTV), cast polyurethane, chloroprene rubber, hydrogenated nitrile-butadiene rubber (HNBR), nitrile rubber, silicone rubber, perfluoroelastomer compounds (FFKT), and mixtures thereof.

115. The method of claim 112, further comprising:

(b) heating the impression material to a temperature that is above its Vicat softening temperature; and

(c) installing the appliance into a user's mouth so that when the user applies biting pressure thereon the receiving portions may be molded into cavities for receiving the maxillary molars.

116. A method for monitoring wear of an interocclusal appliance, comprising:

(a) providing the interocclusal appliance to a user, where such interocclusal appliance is formed with at least one polymeric material having a Shore A hardness of at least about 20 into which is incorporated one or more particles to cause the at least one polymeric material to be opaque, translucent or colored to a first degree substantially throughout;

(b) observing a change in the opacity, translucency or coloration of a portion of the polymeric material.

117. The method of claim 116, wherein the opacity, translucency or coloration of the portion of the polymeric material changes to a second degree as compared to the first degree after an amount of polymeric material is removed from a surface of the interocclusal appliance.

Fig. 1.

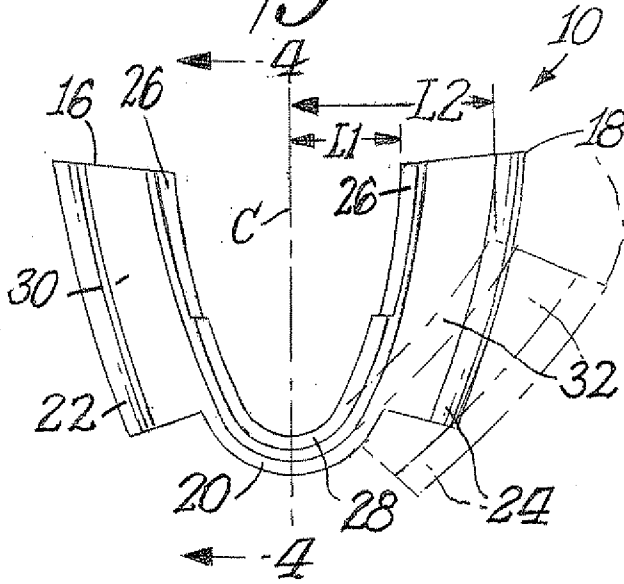


Fig. 4.

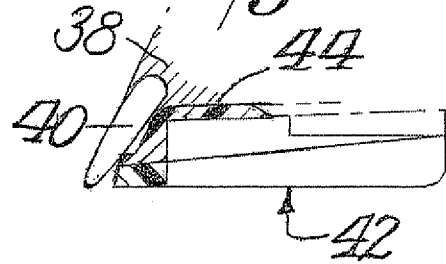


Fig. 2.

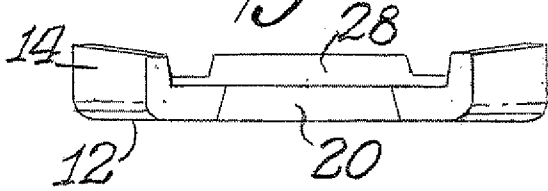


Fig. 3.

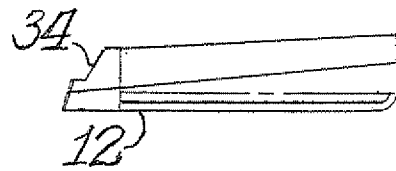


Fig. 5.

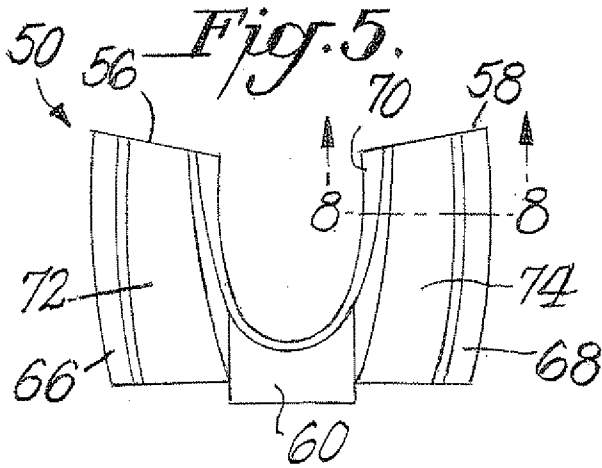


Fig. 7.

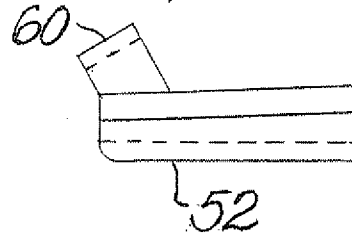


Fig. 6.

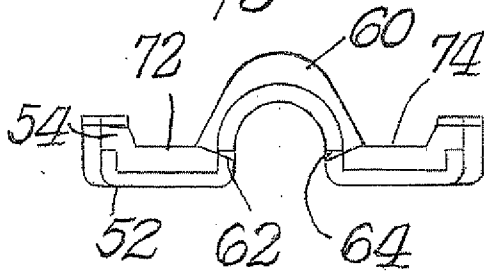


Fig. 8.

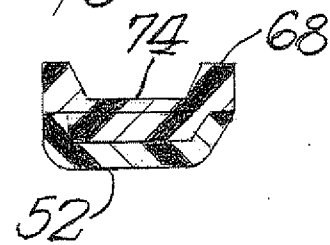


Fig. 9.

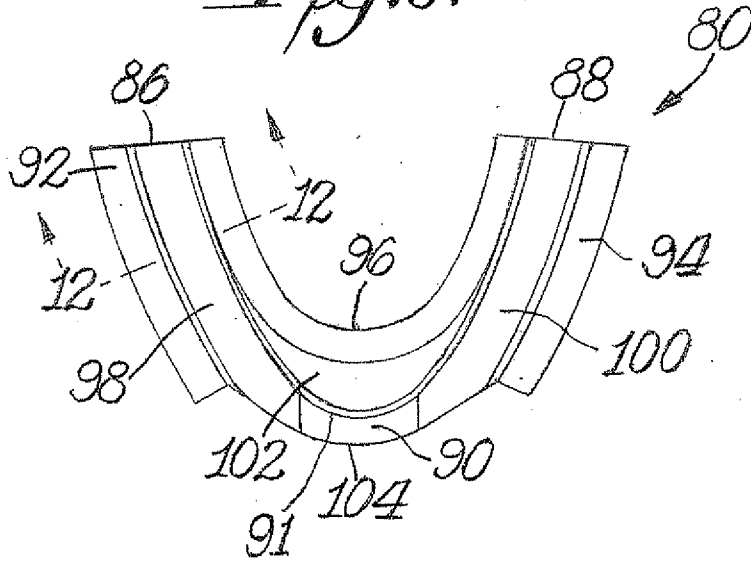


Fig. 10.

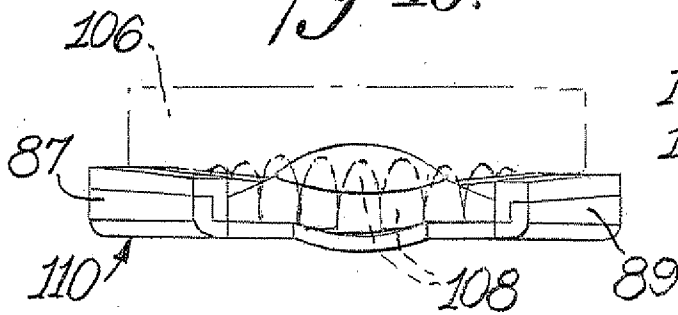


Fig. 11.

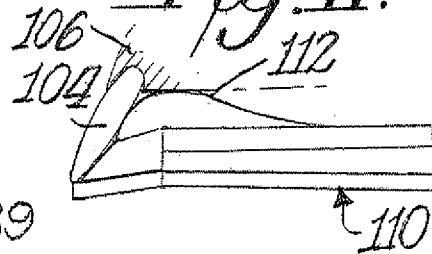
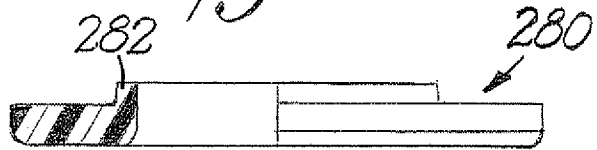
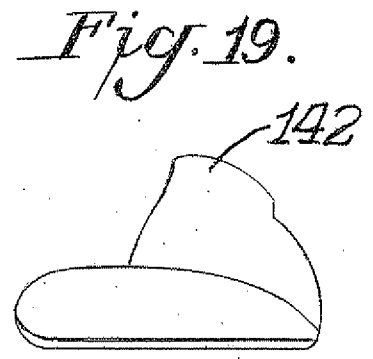
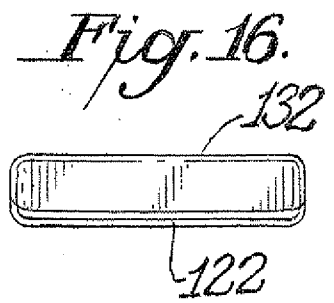
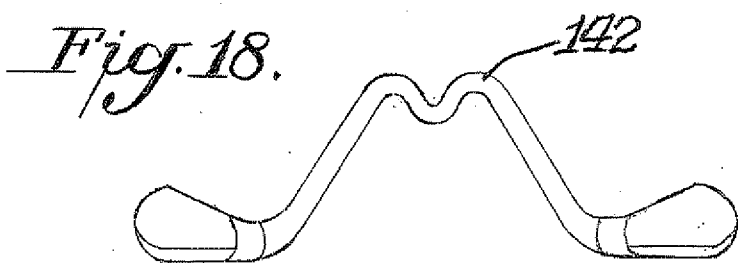
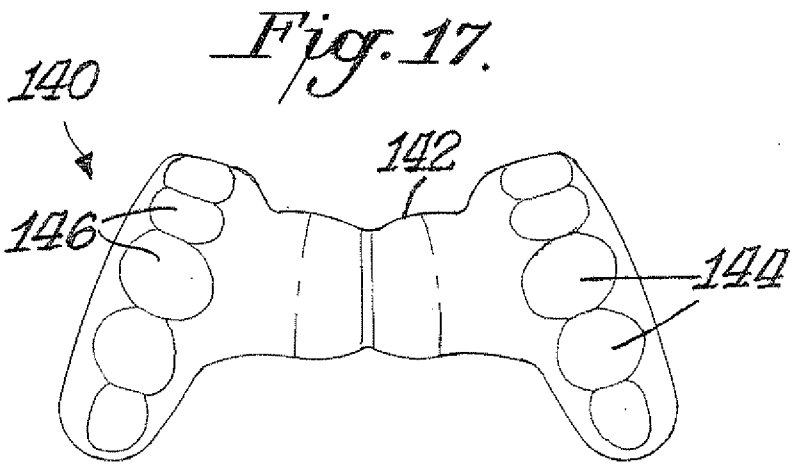
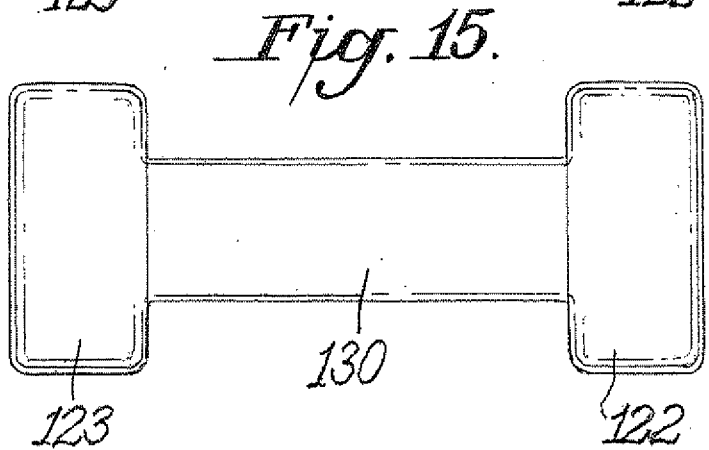
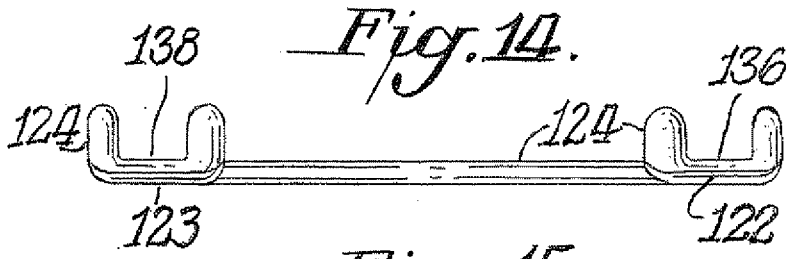
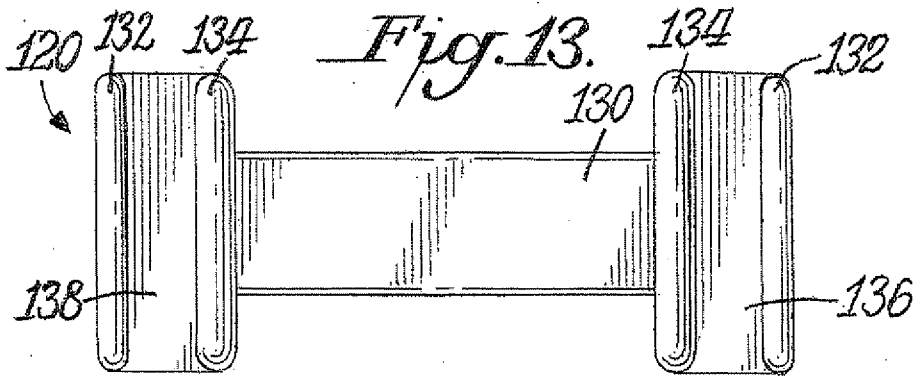


Fig. 12.



Fig. 12.A.





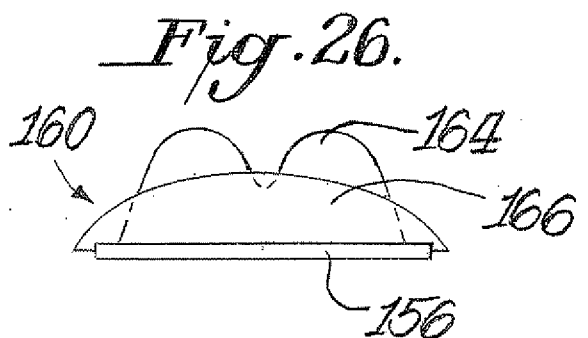
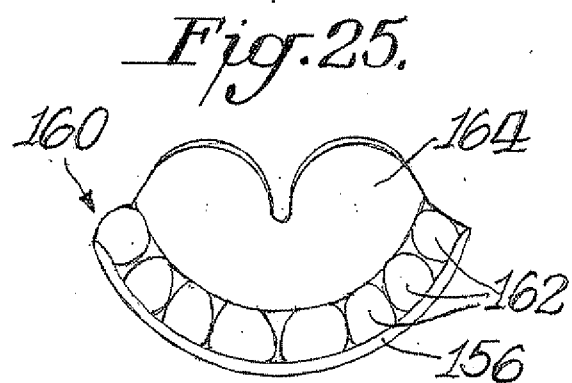
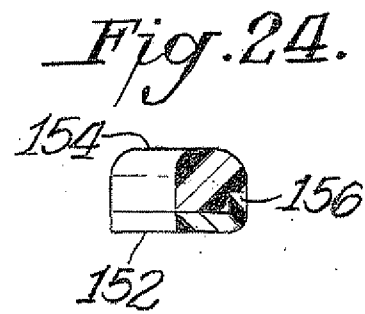
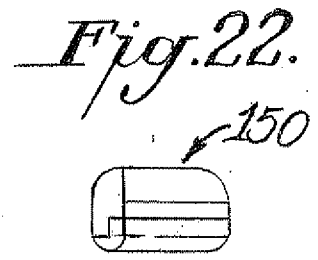
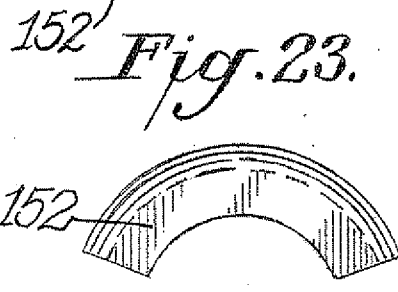
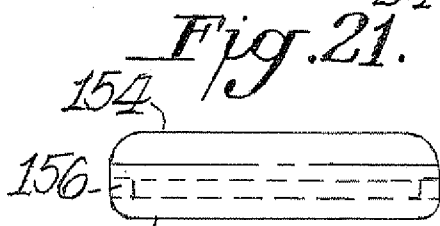
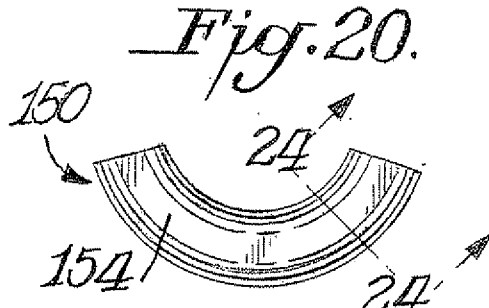


Fig. 27.

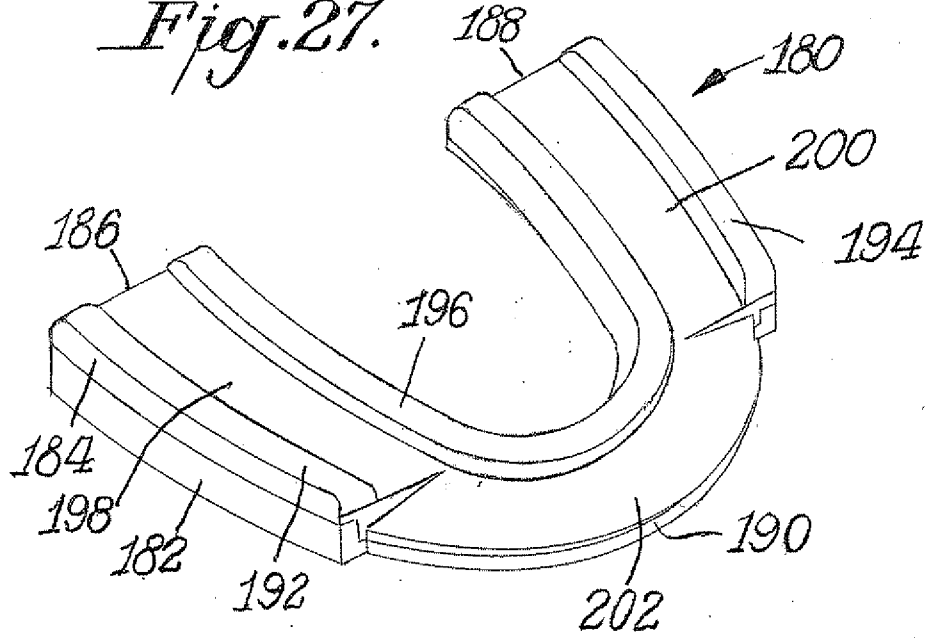
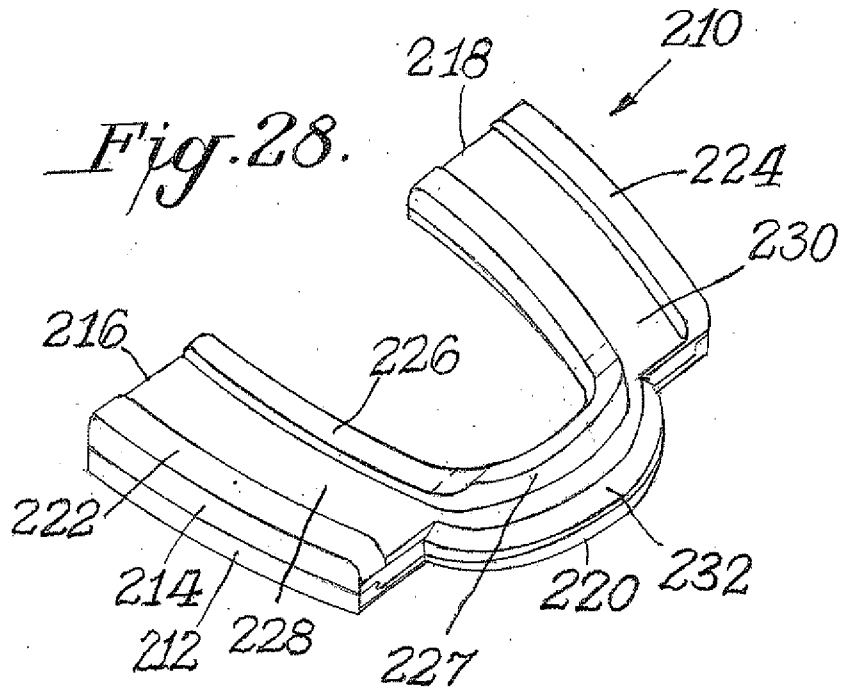


Fig. 28.



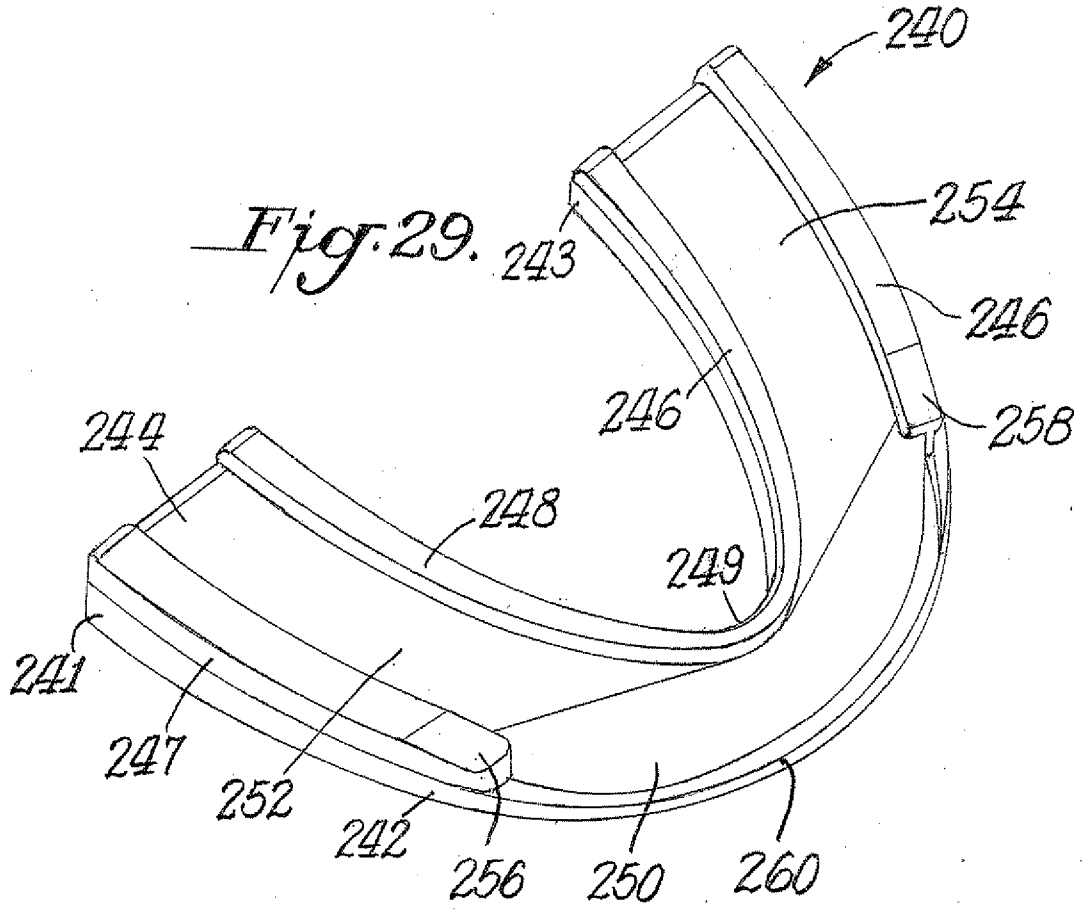


Fig. 31.

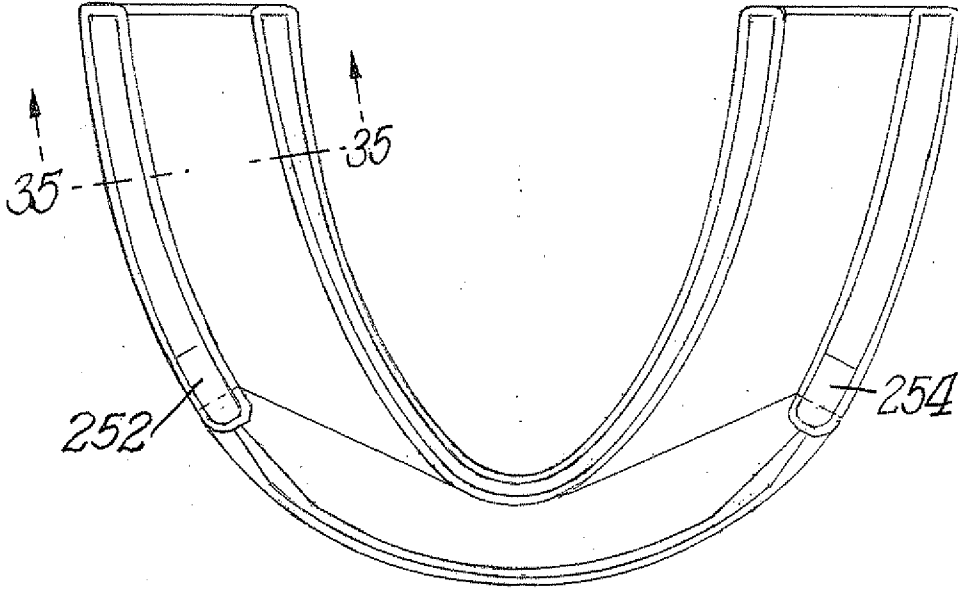


Fig. 30.

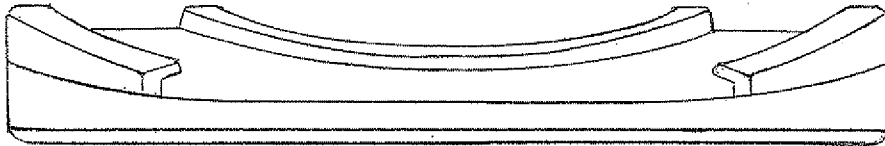


Fig. 32.

