

(19) World Intellectual Property Organization  
International Bureau



(43) International Publication Date  
17 November 2005 (17.11.2005)

PCT

(10) International Publication Number  
**WO 2005/109929 A3**

- (51) International Patent Classification:  
H04B 5/00 (2006.01) H04Q 7/00 (2006.01)  
H04M 3/42 (2006.01) H04B 7/216 (2006.01)
- (21) International Application Number:  
PCT/US2005/014808
- (22) International Filing Date: 28 April 2005 (28.04.2005)
- (25) Filing Language: English
- (26) Publication Language: English
- (30) Priority Data:  
10/838,703 4 May 2004 (04.05.2004) US
- (71) Applicant (for all designated States except US): **SYMBOL TECHNOLOGIES, INC.** [US/US]; One Symbol Plaza, Holtsville, NY 11742 (US).
- (72) Inventors; and
- (75) Inventors/Applicants (for US only): **DOOLEY, John** [US/US]; 4951 cherry Ave. #25, San Jose, CA 95118 (US). **GIAN, Alona** [US/US]; 1366 Enchanted Way, San Mateo, CA 94402 (US). **KLEIN, John** [US/US]; 3002 Sir Robert Court, El Dorado Hills, CA 95762 (US). **MULDERS, Marc** [US/US]; 3171 Melendy Dr., San Carlos, CA 94070 (US).
- (74) Agents: **SCHEINFELD, Robert, C.** et al.; Baker Botts L.L.P., 30 Rockefeller Plaza, New York, NY 10112-4498 (US).

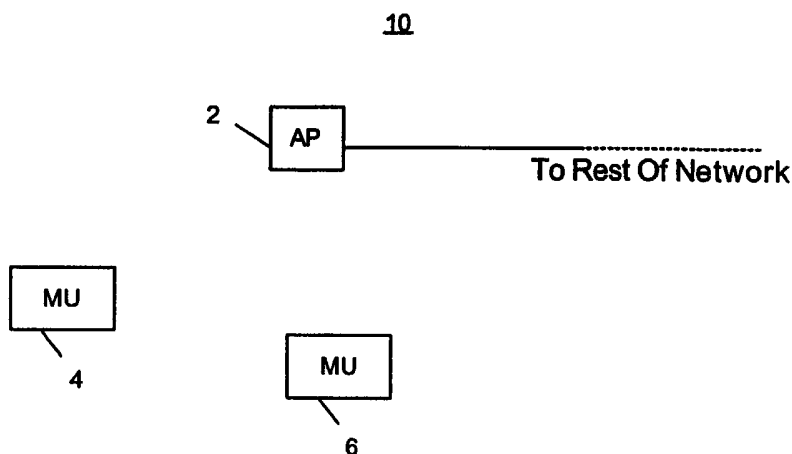
- (81) Designated States (unless otherwise indicated, for every kind of national protection available): AE, AG, AL, AM, AT, AU, AZ, BA, BB, BG, BR, BW, BY, BZ, CA, CH, CN, CO, CR, CU, CZ, DE, DK, DM, DZ, EC, EE, EG, ES, FI, GB, GD, GE, GH, GM, HR, HU, ID, IL, IN, IS, JP, KE, KG, KM, KP, KR, KZ, LC, LK, LR, LS, LT, LU, LV, MA, MD, MG, MK, MN, MW, MX, MZ, NA, NI, NO, NZ, OM, PG, PH, PL, PT, RO, RU, SC, SD, SE, SG, SK, SL, SM, SY, TJ, TM, TN, TR, TT, TZ, UA, UG, US, UZ, VC, VN, YU, ZA, ZM, ZW.
- (84) Designated States (unless otherwise indicated, for every kind of regional protection available): ARIPO (BW, GH, GM, KE, LS, MW, MZ, NA, SD, SL, SZ, TZ, UG, ZM, ZW), Eurasian (AM, AZ, BY, KG, KZ, MD, RU, TJ, TM), European (AT, BE, BG, CH, CY, CZ, DE, DK, EE, ES, FI, FR, GB, GR, HU, IE, IS, IT, LT, LU, MC, NL, PL, PT, RO, SE, SI, SK, TR), OAPI (BF, BJ, CF, CG, CI, CM, GA, GN, GQ, GW, ML, MR, NE, SN, TD, TG).

Published:  
— with international search report

(88) Date of publication of the international search report:  
9 November 2006

For two-letter codes and other abbreviations, refer to the "Guidance Notes on Codes and Abbreviations" appearing at the beginning of each regular issue of the PCT Gazette.

(54) Title: METHOD AND SYSTEM FOR MULTIPLE BASIC AND EXTENDED SERVICE SET IDENTIFIERS IN WIRELESS LOCAL AREA NETWORKS



(57) Abstract: An improved system (10) and method using multiple basic and extended service set identifiers for a single radio in a wireless local area network is provided. The method includes the use of several basic service set identifiers for at least some access points (2), with associated mobile units (4, 6) associating an extended service set identifier with each virtual local area network, and assigning each of the extended service set identifiers and associated local area network to one basic service set identifier.

WO 2005/109929 A3

# INTERNATIONAL SEARCH REPORT

International application No.

PCT/US05/14808

**A. CLASSIFICATION OF SUBJECT MATTER**  
**IPC:** H04B 5/00;7/00;H04M 3/42;H04Q 7/00;H04B 7/216

USPC: 455/41.1,41.2,414.1;370/328,335,342  
 According to International Patent Classification (IPC) or to both national classification and IPC

**B. FIELDS SEARCHED**

Minimum documentation searched (classification system followed by classification symbols)  
 U.S. : 455/41.1, 41.2, 414.1; 370/328, 331, 335, 342

Documentation searched other than minimum documentation to the extent that such documents are included in the fields searched

Electronic data base consulted during the international search (name of data base and, where practicable, search terms used)

**C. DOCUMENTS CONSIDERED TO BE RELEVANT.**

Category *	Citation of document, with indication, where appropriate, of the relevant passages	Relevant to claim No.
X	US 6,950,628 B1 (MEIER et al) 27 June 2005 (27.06.2005), column 1, lines 66-67, column 2, column 5, lines 49-67, column 6, lines 9-67.	1-6
Y	US 6,973,052 B2 (WANG et al) 06 December 2005 (06.12.2005), column 1, lines 37-65.	7-8

Further documents are listed in the continuation of Box C.       See patent family annex.

* Special categories of cited documents:		"T"	later document published after the international filing date or priority date and not in conflict with the application but cited to understand the principle or theory underlying the invention
"A"	document defining the general state of the art which is not considered to be of particular relevance	"X"	document of particular relevance; the claimed invention cannot be considered novel or cannot be considered to involve an inventive step when the document is taken alone
"E"	earlier application or patent published on or after the international filing date	"Y"	document of particular relevance; the claimed invention cannot be considered to involve an inventive step when the document is combined with one or more other such documents, such combination being obvious to a person skilled in the art
"L"	document which may throw doubts on priority claim(s) or which is cited to establish the publication date of another citation or other special reason (as specified)	"&"	document member of the same patent family
"O"	document referring to an oral disclosure, use, exhibition or other means		
"P"	document published prior to the international filing date but later than the priority date claimed		

Date of the actual completion of the international search 23 June 2006 (23.06.2006)	Date of mailing of the international search report <b>25 JUL 2006</b>
--	--

Name and mailing address of the ISA/US Mail Stop PCT, Attn: ISA/US Commissioner for Patents P.O. Box 1450 Alexandria, Virginia 22313-1450 Facsimile No. (571) 273-3201	Authorized officer Melanie Jagannathan Telephone No. 703-305-3900
---	---