



US00D899775S

(12) **United States Design Patent**
Frueh et al.

(10) **Patent No.:** **US D899,775 S**
(45) **Date of Patent:** **** Oct. 27, 2020**

(54) **SENSOR CARRIER**
(71) Applicant: **PII Pipetronix GmbH**, Stutensee (DE)
(72) Inventors: **Volker Frueh**, Stutensee (DE); **Heiko Witte**, Stutensee (DE)
(73) Assignee: **PII Pipetronix GmbH**, Stutensee (DE)
(**) Term: **15 Years**
(21) Appl. No.: **29/648,712**

D709,323 S * 7/2014 Brown D7/213
D713,051 S * 9/2014 Smeja D24/230
8,926,031 B2 * 1/2015 Belton A47B 88/407
312/246
D742,666 S * 11/2015 Akana D6/682.2
D779,340 S * 2/2017 Liu D9/758
D787,184 S * 5/2017 Stuart D3/313
D870,540 S * 12/2019 Aoki D8/377
D873,660 S * 1/2020 Akana D9/436
2005/0126316 A1 6/2005 Richter et al.
2012/0325004 A1 12/2012 Herron et al.
2013/0133429 A1 5/2013 Palma et al.
2016/0273992 A1 9/2016 Frueh
2018/0279807 A1* 10/2018 Greensmith A47F 5/108
2018/0368588 A1* 12/2018 Xia A47F 5/0087

(22) Filed: **May 23, 2018**
(51) **LOC (12) Cl.** **03-01**
(52) **U.S. Cl.**
USPC **D3/313**
(58) **Field of Classification Search**
USPC D3/303-315, 318-319, 328; D7/600.1,
D7/601-602, 701
CPC ... B65D 1/00; B65D 1/34; B65D 1/36; B65D
2543/00194; A47B 88/20; A47B 88/04;
A47B 2088/0403
See application file for complete search history.

* cited by examiner

Primary Examiner — Kelley A Donnelly

(74) *Attorney, Agent, or Firm* — Mintz Levin Cohn Ferris
Glovsky and Popeo, P.C.

(57) **CLAIM**

The ornamental design for a sensor carrier, as shown and described.

DESCRIPTION

FIG. 1 is an isometric view of a sensor carrier having sensors disposed therein;

FIG. 2 is a front view of the sensor carrier of FIG. 1;

FIG. 3 is a back view of the sensor carrier of FIG. 1;

FIG. 4 is a left view of the sensor carrier of FIG. 1;

FIG. 5 is a right view of the sensor carrier of FIG. 1;

FIG. 6 is a top view of the sensor carrier of FIG. 1; and,

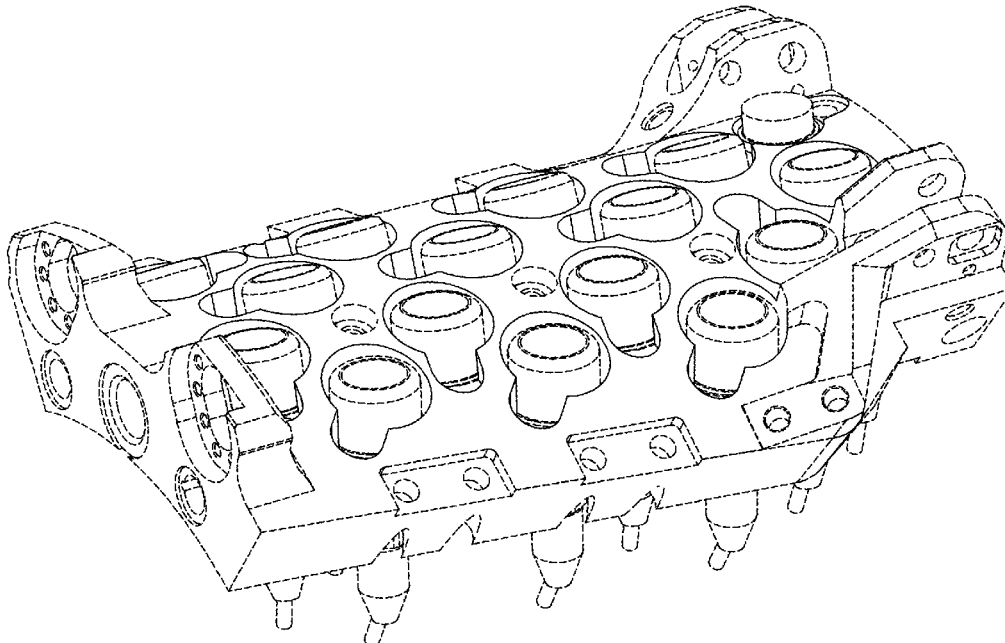
FIG. 7 is a bottom view of the sensor carrier of FIG. 1.

Where applicable, elements are shown in broken lines herein for illustrative purposes only, and form no part of the claimed design.

(56) **References Cited**
U.S. PATENT DOCUMENTS

D192,672 S * 4/1962 Jenkins D24/230
3,211,290 A * 10/1965 Strickling B65B 21/18
209/522
D274,789 S * 7/1984 Brown D9/758
4,807,484 A 2/1989 Goedecke
D389,408 S * 1/1998 Rask D21/491
D518,737 S * 4/2006 Zalzal D9/732
D596,758 S * 7/2009 Constable D24/230
D673,795 S * 1/2013 Murrah D6/682.2
D695,078 S * 12/2013 Hertaus D7/600.1
D708,763 S * 7/2014 Smeja D24/229

1 Claim, 7 Drawing Sheets



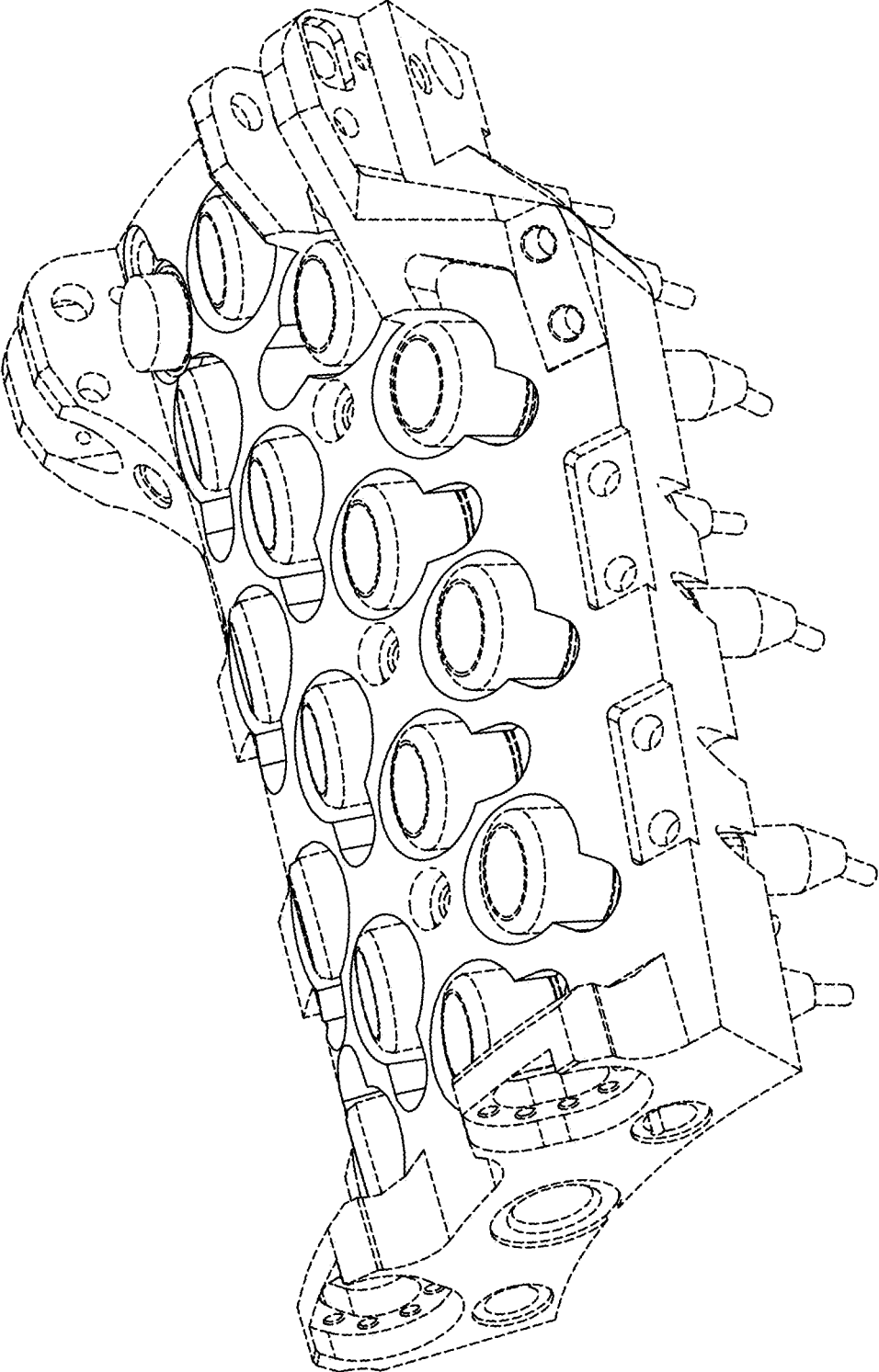


FIG. 1

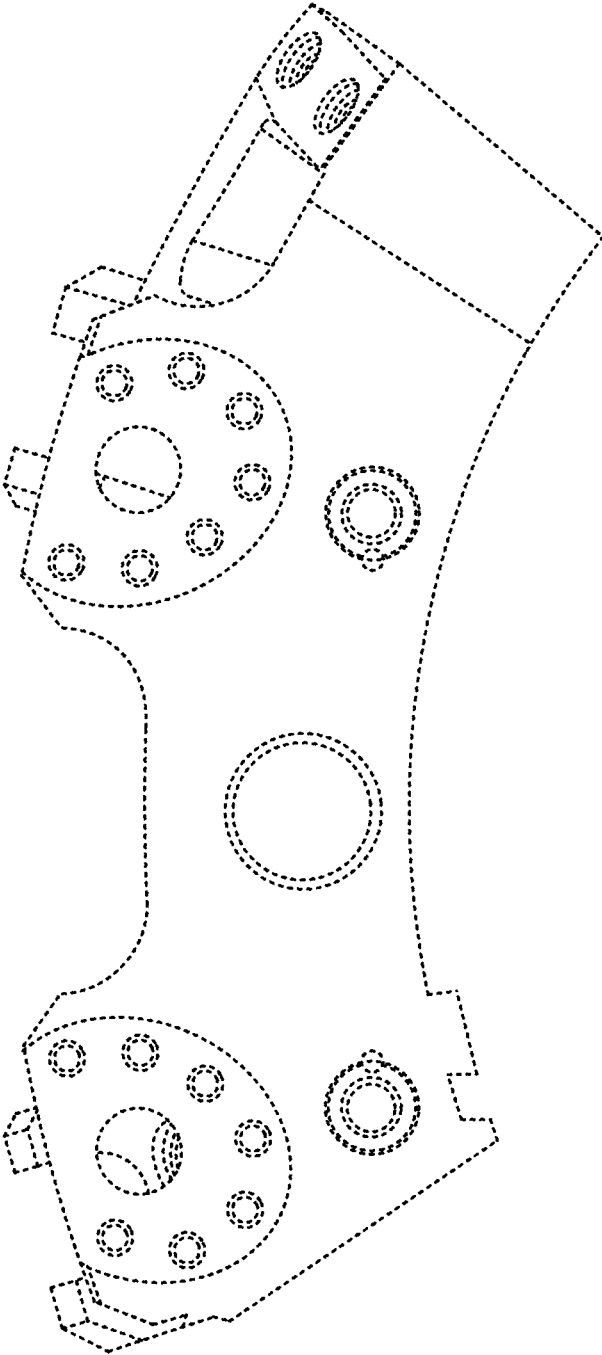


FIG. 2

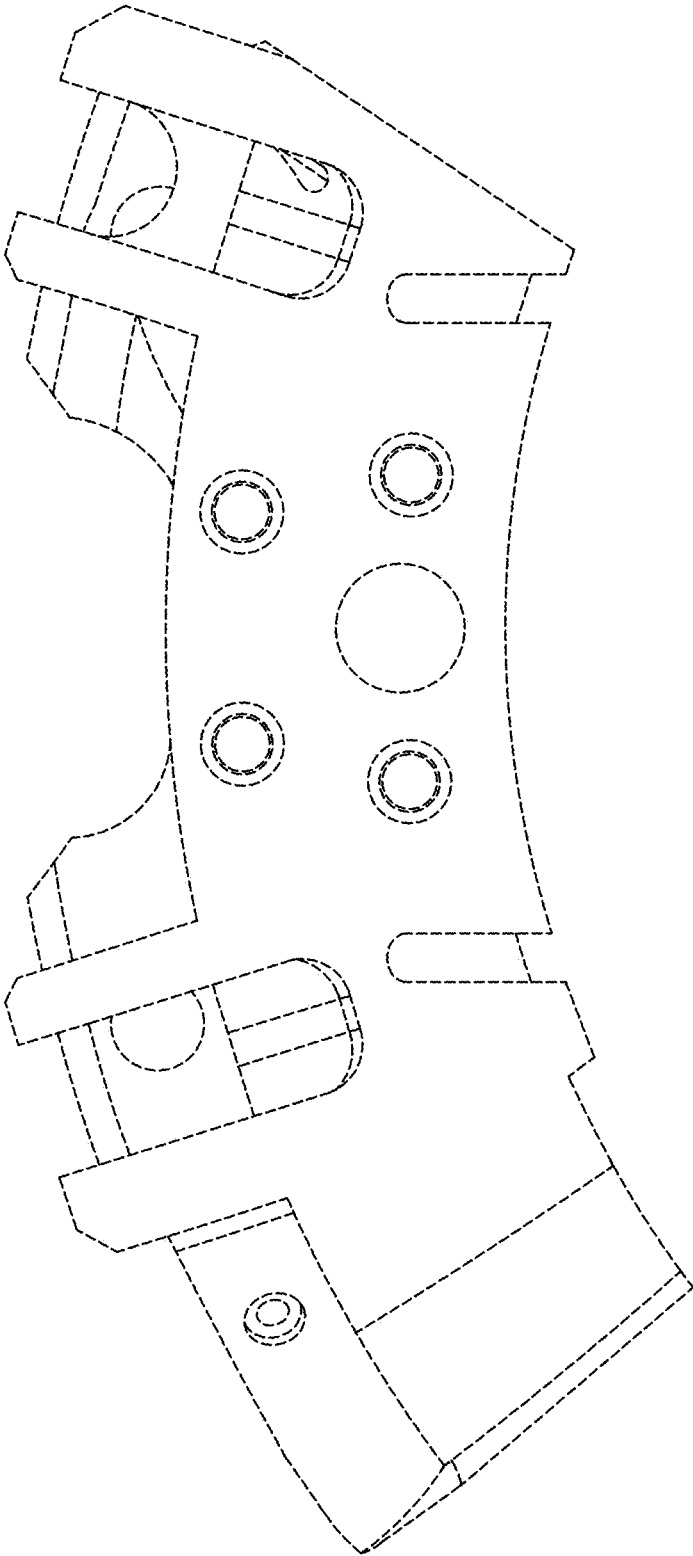


FIG. 3

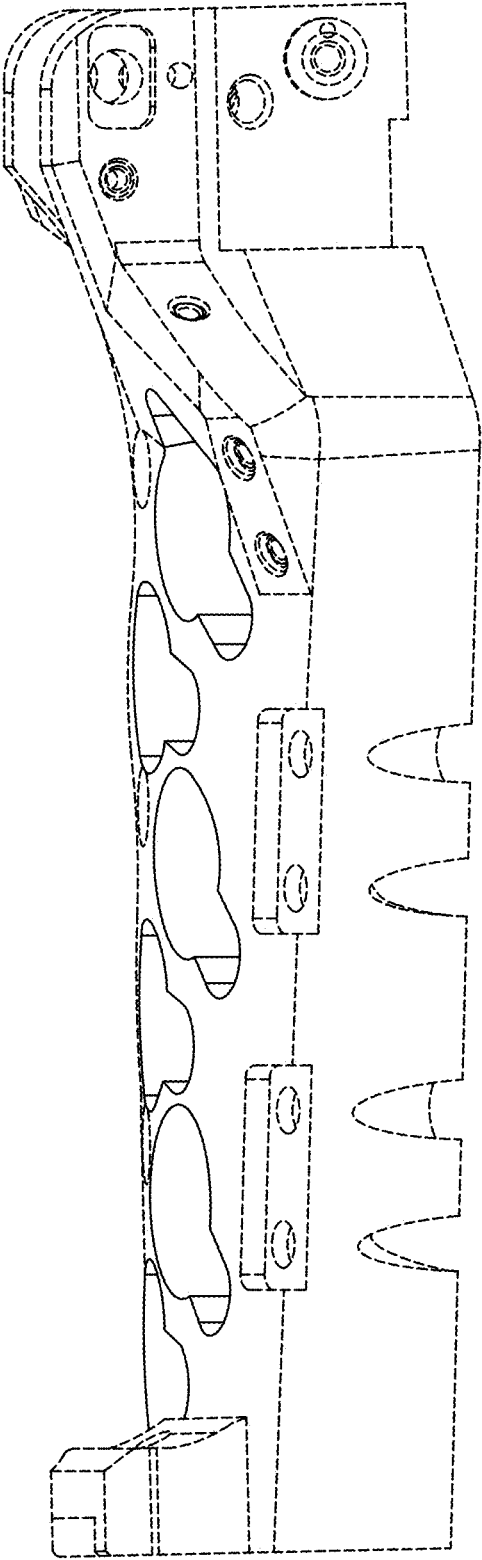


FIG. 4

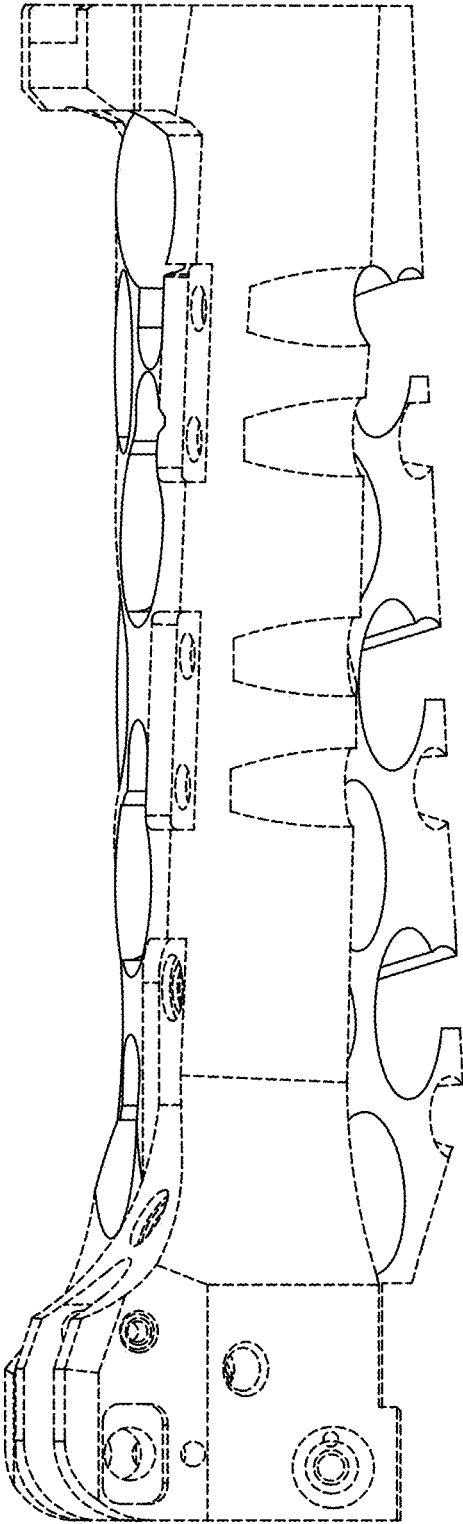


FIG. 5

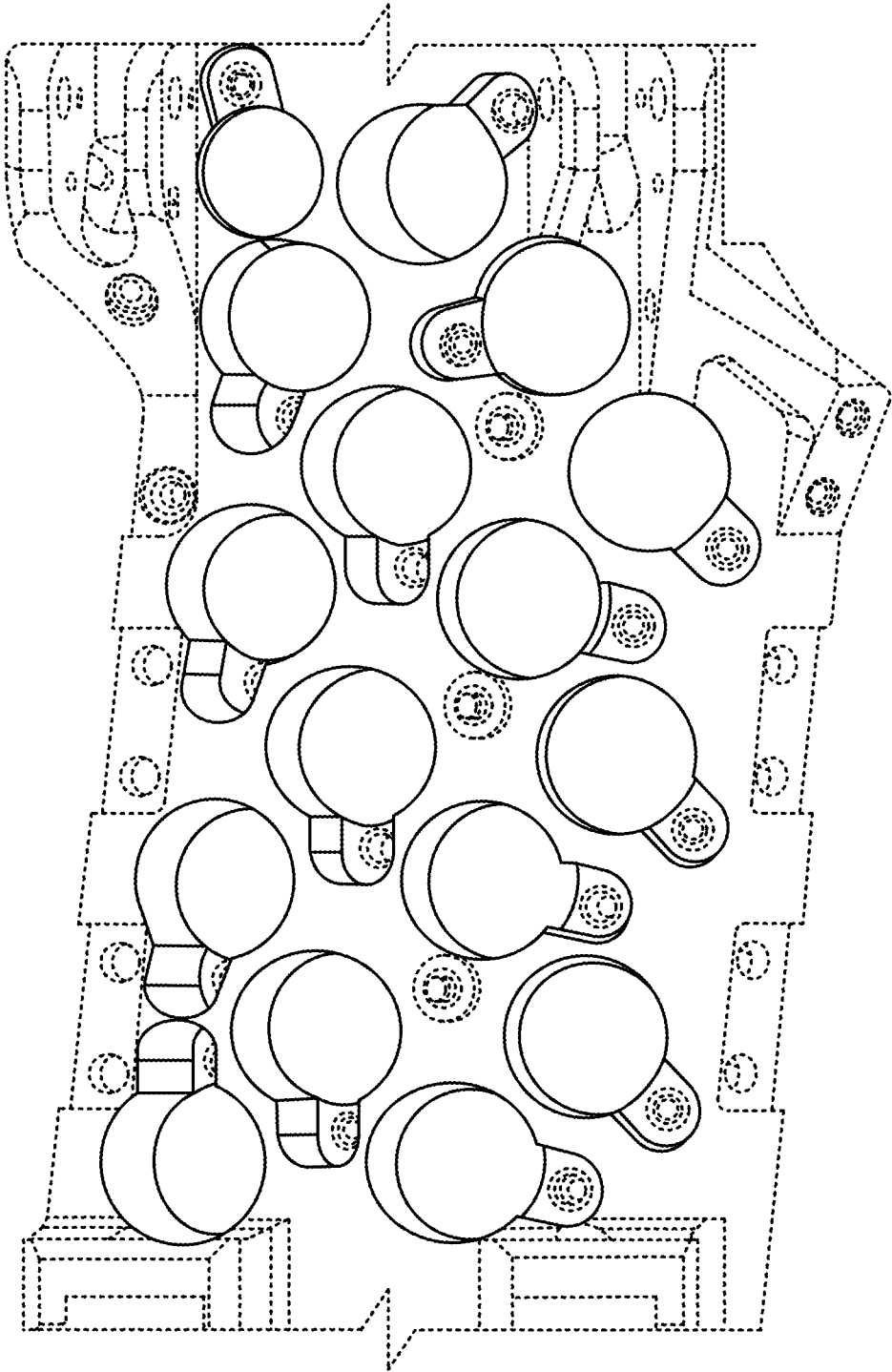


FIG. 6

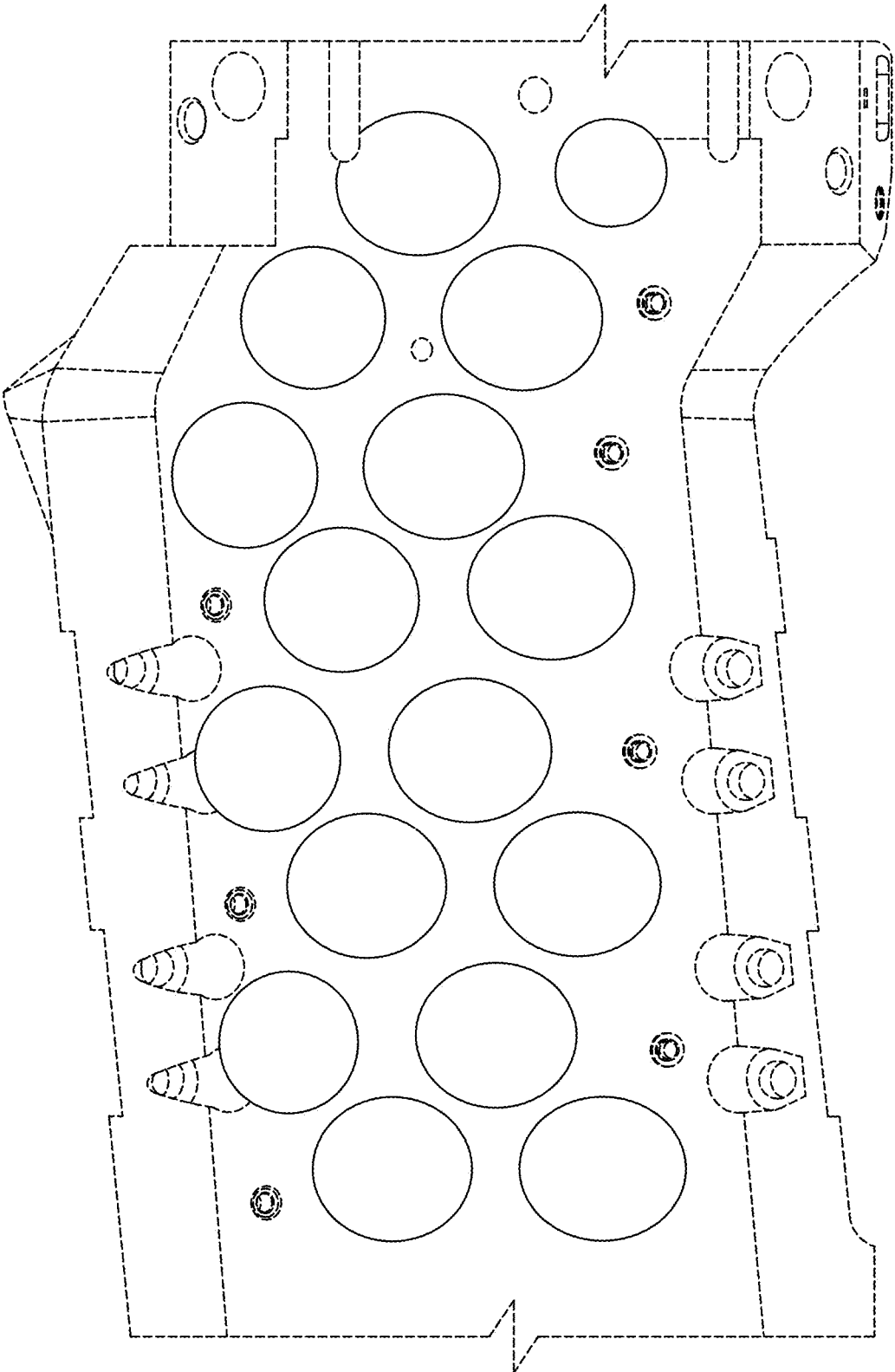


FIG. 7