



US00D469873S

(12) **United States Design Patent** (10) **Patent No.:** **US D469,873 S**
Warring et al. (45) **Date of Patent:** **** Feb. 4, 2003**

(54) **EAR COUPLER**

Primary Examiner—Stella Reid
(74) *Attorney, Agent, or Firm*—Daniel P. Maguire

(75) Inventors: **Jessica Ash Warring**, San Carlos, CA (US); **Alfred Christian Walton**, Belmont, CA (US)

(57) **CLAIM**

The ornamental design for an ear coupler, as shown and described.

(73) Assignee: **Natus Medical Inc.**, San Carlos, CA (US)

DESCRIPTION

(**) Term: **14 Years**

FIG. 1 is a top perspective view of an ear coupler, showing our new design;

(21) Appl. No.: **29/147,382**

FIG. 2 is a top perspective view thereof, opposite that shown in FIG. 1;

(22) Filed: **Aug. 27, 2001**

FIG. 3 is a bottom perspective view thereof;

(51) **LOC (7) Cl.** **24-01**

FIG. 4 is a top plan view thereof;

(52) **U.S. Cl.** **D24/151; D24/173**

FIG. 5 is a side view thereof;

(58) **Field of Search** **D24/174, 173, D24/151; 128/864, 866, 867, 868; 181/129**

FIG. 6 is a side view thereof, rotated 90 degrees from the view in FIG. 5;

(56) **References Cited**

FIG. 7 is a top perspective view of a second embodiment of the ear coupler; and,

U.S. PATENT DOCUMENTS

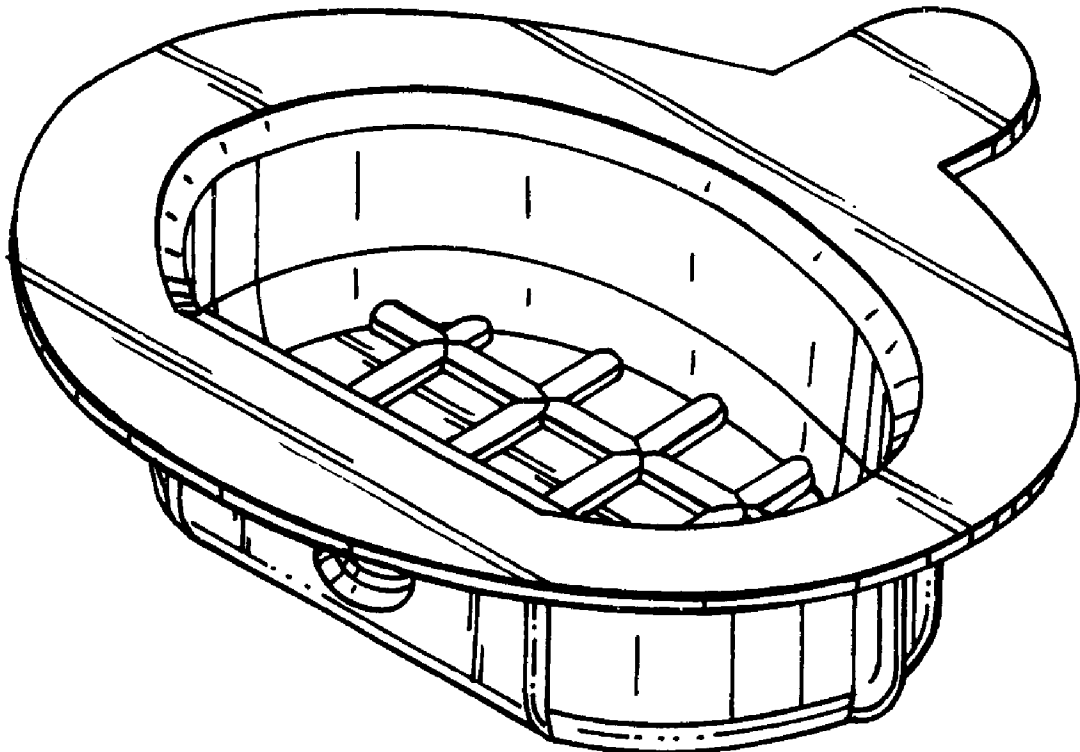
FIG. 8 is a top perspective view thereof, opposite that shown in FIG. 7.

4,437,538 A	*	3/1984	Ohlsson et al.	181/129
4,930,520 A	*	6/1990	Liverani	128/866
D335,349 S	*	5/1993	Lyon et al.	D24/151
5,826,582 A	*	10/1998	Sheehan et al.	128/864

The word **NATUS** forming part of the claimed design is a registered trademark of Natus Medical, Inc.

* cited by examiner

1 Claim, 3 Drawing Sheets



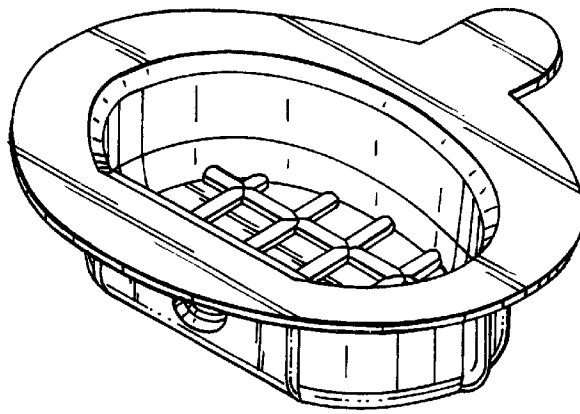


Fig. 1

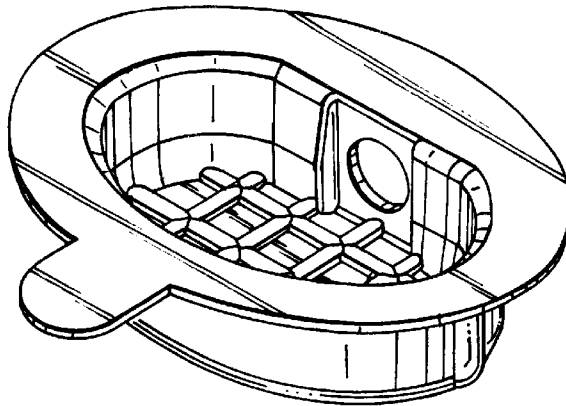


Fig. 2

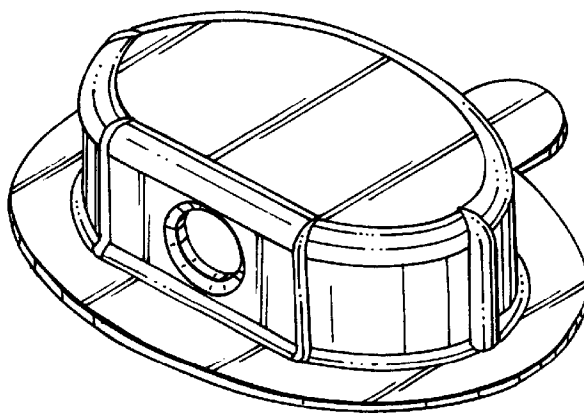


Fig. 3

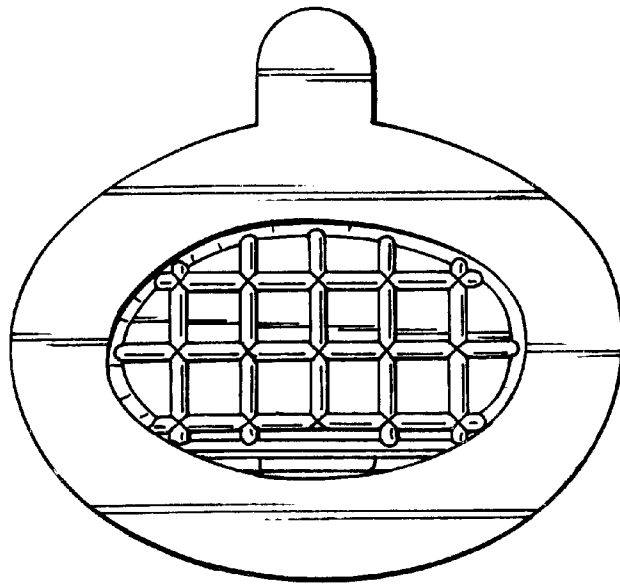


Fig. 4

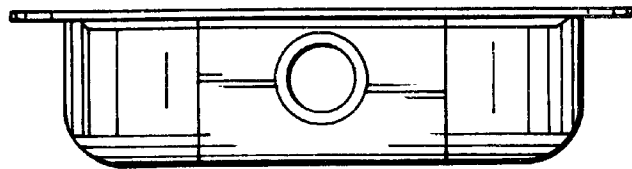


Fig. 5

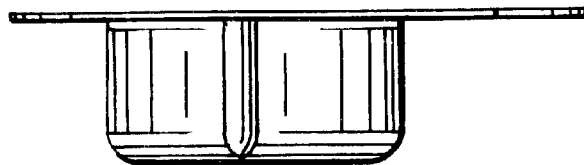


Fig. 6

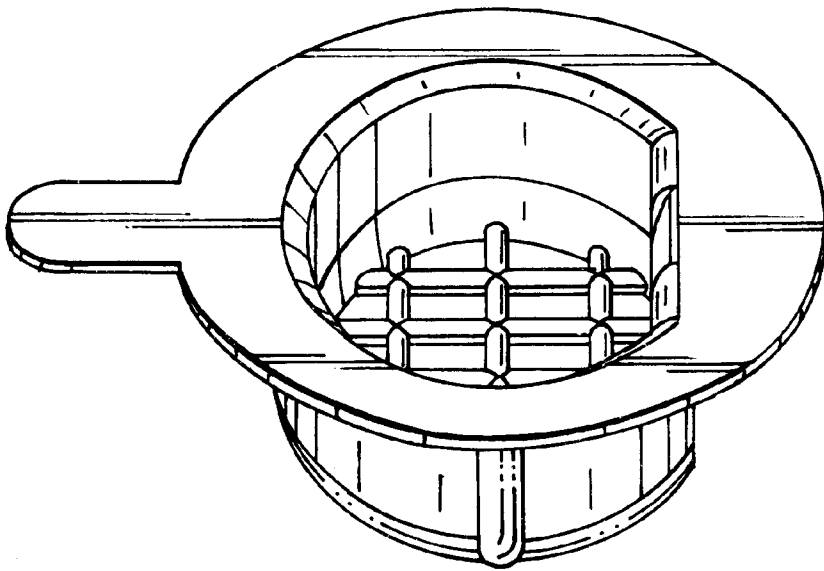


Fig. 7

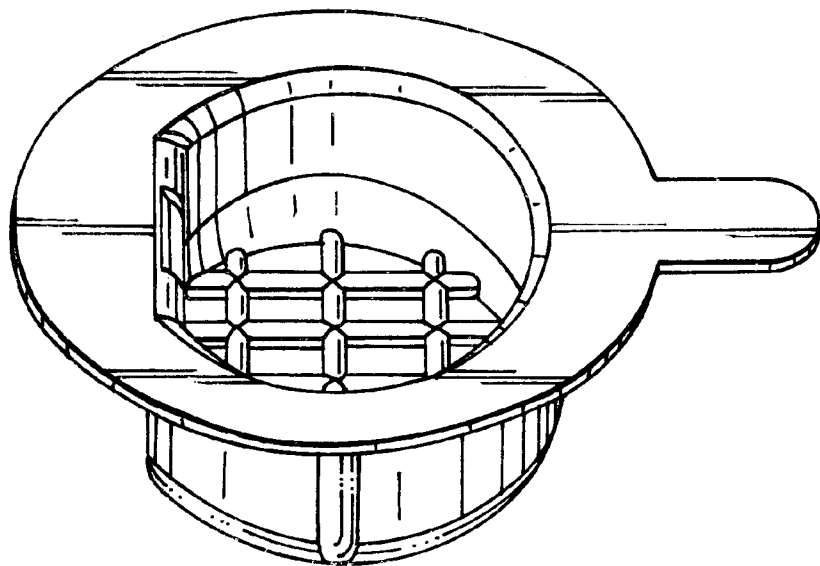


Fig. 8