

(12) INTERNATIONAL APPLICATION PUBLISHED UNDER THE PATENT COOPERATION TREATY (PCT)

(19) World Intellectual Property Organization
International Bureau



(43) International Publication Date
10 January 2002 (10.01.2002)

PCT

(10) International Publication Number
WO 02/02302 A3

(51) International Patent Classification⁷: B32B 5/14, 3/26, B29C 43/18, B60R 13/08

(74) Agents: BARNES, Stephen, W. et al.; Owens Corning Science & Technology Center, Building 54-1, 2790 Columbus Road, Granville, OH 43023-1200 (US).

(21) International Application Number: PCT/US01/19976

(81) Designated States (*national*): AE, AG, AL, AM, AT, AU, AZ, BA, BB, BG, BR, BY, BZ, CA, CH, CN, CR, CU, CZ, DE, DK, DM, DZ, EE, ES, FI, GB, GD, GE, GH, GM, HR, HU, ID, IL, IN, IS, JP, KE, KG, KP, KR, KZ, LC, LK, LR, LS, LT, LU, LV, MA, MD, MG, MK, MN, MW, MX, MZ, NO, NZ, PL, PT, RO, RU, SD, SE, SG, SI, SK, SL, TJ, TM, TR, TT, TZ, UA, UG, US, UZ, VN, YU, ZA, ZW.

(22) International Filing Date: 22 June 2001 (22.06.2001)

(25) Filing Language: English

(26) Publication Language: English

(30) Priority Data:
09/607,478 30 June 2000 (30.06.2000) US

(84) Designated States (*regional*): ARIPO patent (GH, GM, KE, LS, MW, MZ, SD, SL, SZ, TZ, UG, ZW), Eurasian patent (AM, AZ, BY, KG, KZ, MD, RU, TJ, TM), European patent (AT, BE, CH, CY, DE, DK, ES, FI, FR, GB, GR, IE, IT, LU, MC, NL, PT, SE, TR), OAPI patent (BF, BJ, CF, CG, CI, CM, GA, GN, GW, ML, MR, NE, SN, TD, TG).

(71) Applicant (*for all designated States except US*): OWENS CORNING [US/US]; One Owens Corning Parkway, Toledo, OH 43659 (US).

(72) Inventors; and

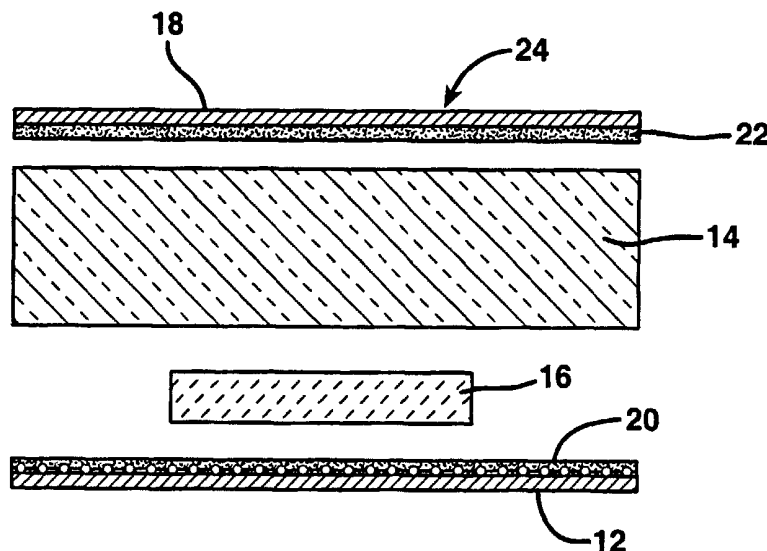
Published:

(75) Inventors/Applicants (*for US only*): TILTON, Jeffrey, A. [US/US]; 247 Copper Creek Circle, Louisville, KY 40222 (US). LUNDRIGAN, Maurice, P. [US/US]; 11725 Paramount Way, Prospect, KY 40059 (US).

— with international search report
— before the expiration of the time limit for amending the claims and to be republished in the event of receipt of amendments

[Continued on next page]

(54) Title: PROCESS FOR FORMING A MULTILAYER, MULTIDENSITY COMPOSITE INSULATOR



(57) Abstract: A process for forming a multilayer composite insulator (10) includes the steps of forming an insulator precursor (24) by orienting an insulation insert (16) in a desired location between a first facing layer (12) and a polymer based blanket layer (14), applying differential heat to two opposing sides of the insulator precursor and applying pressure to the insulator precursor (28, 30). Together, the applied differential heat and applied pressure mold the insulator precursor to a desired shape while also providing the polymer based blanket material with a first relatively high density (32) adjacent a warmer of the two opposing sides and a zone of relatively low density (34) adjacent the cooler of the two opposing sides. The process also includes the cooling of a molded precursor to set the insulator in the desired shape.



WO 02/02302 A3



(88) Date of publication of the international search report:
11 April 2002

For two-letter codes and other abbreviations, refer to the "Guidance Notes on Codes and Abbreviations" appearing at the beginning of each regular issue of the PCT Gazette.

INTERNATIONAL SEARCH REPORT

International Application No

PC1/US 01/19976

A. CLASSIFICATION OF SUBJECT MATTER

IPC 7 B32B5/14 B32B3/26 B29C43/18 B60R13/08

According to International Patent Classification (IPC) or to both national classification and IPC

B. FIELDS SEARCHED

Minimum documentation searched (classification system followed by classification symbols)

IPC 7 B32B B29C B60R D04H G10K B29D

Documentation searched other than minimum documentation to the extent that such documents are included in the fields searched

Electronic data base consulted during the international search (name of data base and, where practical, search terms used)

WPI Data, PAJ, EPO-Internal

C. DOCUMENTS CONSIDERED TO BE RELEVANT

Category *	Citation of document, with indication, where appropriate, of the relevant passages	Relevant to claim No.
Y	US 4 568 581 A (PEOPLES JR CLARENCE A) 4 February 1986 (1986-02-04) claims 1-19; figure 6 ---	1,11
Y	US 4 539 252 A (FRANZ EDWARD W) 3 September 1985 (1985-09-03) the whole document ---	1,11
Y	DE 197 44 682 A (IKEDA BUSSAN CO) 16 April 1998 (1998-04-16) claim 8 ---	1,11
Y	US 5 436 046 A (SAKAMOTO MANABU) 25 July 1995 (1995-07-25) claim 6 ---	1,11
	-/--	

Further documents are listed in the continuation of box C.

Patent family members are listed in annex.

* Special categories of cited documents:

- *A* document defining the general state of the art which is not considered to be of particular relevance
- *E* earlier document but published on or after the international filing date
- *L* document which may throw doubts on priority claim(s) or which is cited to establish the publication date of another citation or other special reason (as specified)
- *O* document referring to an oral disclosure, use, exhibition or other means
- *P* document published prior to the international filing date but later than the priority date claimed

- *T* later document published after the international filing date or priority date and not in conflict with the application date cited to understand the principle or theory underlying the invention
- *X* document of particular relevance; the claimed invention cannot be considered novel or cannot be considered to involve an inventive step when the document is taken alone
- *Y* document of particular relevance; the claimed invention cannot be considered to involve an inventive step when the document is combined with one or more other such documents, such combination being obvious to a person skilled in the art.
- *&* document member of the same patent family

Date of the actual completion of the international search

6 February 2002

Date of mailing of the international search report

15/02/2002

Name and mailing address of the ISA

European Patent Office, P.B. 5818 Patentlaan 2
NL - 2280 HV Rijswijk
Tel. (+31-70) 340-2040, Tx. 31 651 epo nl,
Fax: (+31-70) 340-3016

Authorized officer

Van Nieuwenhuize, O

INTERNATIONAL SEARCH REPORT

International Application No

PCT/US 01/19976

C.(Continuation) DOCUMENTS CONSIDERED TO BE RELEVANT

Category	Citation of document, with indication, where appropriate, of the relevant passages	Relevant to claim No.
A	GB 1 536 876 A (LEUNA WERKE VEB) 20 December 1978 (1978-12-20) claims 1-12; figures 1-4 ---	1,11
A	US 5 543 193 A (TESCH GUNTER) 6 August 1996 (1996-08-06) claim 1 ---	1,11
A	US 3 764 454 A (GROSS J ET AL) 9 October 1973 (1973-10-09) claim 1 ---	1,11
A	DE 44 39 415 A (FRAUNHOFER GES FORSCHUNG) 9 May 1996 (1996-05-09) claims 1,3,4 ---	1,11
A	US 4 770 919 A (TESCH GUENTER H) 13 September 1988 (1988-09-13) the whole document ---	1,11
A	US 4 199 635 A (PARKER ROY B) 22 April 1980 (1980-04-22) column 2, line 16 -column 4, line 32; figures 1-6; example 1 ---	1,11
A	US 3 652 377 A (HELMICK JAMES WILLIAM) 28 March 1972 (1972-03-28) claim 1 ---	1,11
A	US 3 936 555 A (SMITH II ALEXANDER M) 3 February 1976 (1976-02-03) claim 1 ---	1,11
A	PATENT ABSTRACTS OF JAPAN vol. 1999, no. 12, 29 October 1999 (1999-10-29) & JP 11 180224 A (NISSAN MOTOR CO LTD), 6 July 1999 (1999-07-06) abstract ---	1,11
A	US 5 744 763 A (IWASA TADANOBU ET AL) 28 April 1998 (1998-04-28) claim 1; figures 1-15 ---	1
A	DE 41 26 884 A (PERSTORP HAEUSSLING GMBH) 18 February 1993 (1993-02-18) claims 1,7-9; figure 2 ---	1
A	US 5 817 408 A (NEMOTO KOUICHI ET AL) 6 October 1998 (1998-10-06) claim 1 ---	1
A	US 4 729 917 A (SYMDRA ANDREW J ET AL) 8 March 1988 (1988-03-08) claim 1 -----	1

INTERNATIONAL SEARCH REPORT

Information on patent family members

International Application No

PCT/US 01/19976

Patent document cited in search report		Publication date		Patent family member(s)	Publication date
US 4568581	A	04-02-1986	CA	1227234 A1	22-09-1987
			EP	0174813 A2	19-03-1986
			JP	61070059 A	10-04-1986
US 4539252	A	03-09-1985	US	4430286 A	07-02-1984
			EP	0055743 A1	14-07-1982
			WO	8200266 A1	04-02-1982
DE 19744682	A	16-04-1998	JP	10121361 A	12-05-1998
			DE	19744682 A1	16-04-1998
			US	6034009 A	07-03-2000
US 5436046	A	25-07-1995	JP	2617414 B2	04-06-1997
			JP	7017315 A	20-01-1995
GB 1536876	A	20-12-1978	DD	128828 A3	14-12-1977
			CH	606214 A5	31-10-1978
			CS	185379 B1	15-09-1978
			DE	2549296 A1	10-06-1976
			FR	2293299 A1	02-07-1976
			IT	1066452 B	12-03-1985
			JP	51082369 A	19-07-1976
US 5543193	A	06-08-1996	DE	4217438 A1	02-12-1993
			DE	4235530 A1	28-04-1994
			AT	143448 T	15-10-1996
			AT	176190 T	15-02-1999
			AT	168068 T	15-07-1998
			AT	159452 T	15-11-1997
			AT	159453 T	15-11-1997
			AU	4317693 A	30-12-1993
			AU	4317893 A	30-12-1993
			AU	4317993 A	30-12-1993
			AU	4318093 A	30-12-1993
			CA	2114227 A1	09-12-1993
			CA	2114248 A1	09-12-1993
			CA	2114249 A1	09-12-1993
			CA	2114428 A1	09-12-1993
			DE	59303976 D1	31-10-1996
			DE	59307572 D1	27-11-1997
			DE	59307573 D1	27-11-1997
			DE	59308745 D1	13-08-1998
			DE	59309348 D1	11-03-1999
			WO	9324719 A1	09-12-1993
			WO	9324293 A1	09-12-1993
			WO	9324308 A1	09-12-1993
			WO	9324295 A1	09-12-1993
			WO	9324296 A1	09-12-1993
			EP	0611408 A1	24-08-1994
			EP	0611339 A1	24-08-1994
			EP	0611342 A1	24-08-1994
			EP	0611340 A1	24-08-1994
			EP	0611341 A1	24-08-1994
			US	5604025 A	18-02-1997
US 3764454	A	09-10-1973	CA	966643 A1	29-04-1975
			CA	949987 A1	25-06-1974
			ES	396486 A2	16-01-1978

INTERNATIONAL SEARCH REPORT

Information on patent family members

International Application No

PCT/US 01/19976

Patent document cited in search report	A	Publication date	Patent family member(s)	Publication date
US 3764454	A		GB 1307510 A IT 1000901 B US 3824142 A	21-02-1973 10-04-1976 16-07-1974
DE 4439415	A	09-05-1996	DE 4439415 A1	09-05-1996
US 4770919	A	13-09-1988	AT 51361 T DE 3669842 D1 WO 8607011 A1 EP 0228393 A1 JP 7025149 B JP 62502881 T	15-04-1990 03-05-1990 04-12-1986 15-07-1987 22-03-1995 19-11-1987
US 4199635	A	22-04-1980	AT 384251 B AT 211280 A BE 882871 A1 CA 1121142 A1 DE 3014086 A1 ES 490751 D0 ES 8200416 A1 FR 2454366 A1 GB 2047619 A ,B IT 1207107 B JP 56013160 A NL 8000700 A ,B, SE 448613 B SE 8002880 A	27-10-1987 15-03-1987 18-08-1980 06-04-1982 06-11-1980 01-11-1981 16-01-1982 14-11-1980 03-12-1980 17-05-1989 09-02-1981 22-10-1980 09-03-1987 21-10-1980
US 3652377	A	28-03-1972	NONE	
US 3936555	A	03-02-1976	US 3817820 A AR 207101 A1 AT 348778 B AT 35673 A BE 794594 A1 CA 981892 A1 CA 977131 A2 CA 987481 A2 CH 580698 B5 CH 64373 A CS 203915 B2 DD 102173 A5 DE 2303061 A1 ES 411045 A1 FR 2169348 A1 FR 2246685 A2 GB 1418061 A IT 971234 B JP 48082003 A LU 66909 A1 NL 7301165 A PH 10239 A SU 890984 A3 US 3906599 A US 3913191 A US 3908057 A US 3940532 A US 3956560 A	18-06-1974 15-09-1976 12-03-1979 15-07-1978 16-05-1973 20-01-1976 04-11-1975 20-04-1976 15-10-1976 30-01-1976 31-03-1981 05-12-1973 02-08-1973 16-03-1976 07-09-1973 02-05-1975 17-12-1975 30-04-1974 02-11-1973 25-09-1974 31-07-1973 08-10-1976 15-12-1981 23-09-1975 21-10-1975 23-09-1975 24-02-1976 11-05-1976

INTERNATIONAL SEARCH REPORT

Information on patent family members

International Application No

PCT/US 01/19976

Patent document cited in search report		Publication date	Patent family member(s)	Publication date
US 3936555	A		US 4086687 A US 4021593 A ZA 7300648 A ZA 7407848 A	02-05-1978 03-05-1977 26-02-1975 28-07-1976
JP 11180224	A	06-07-1999	NONE	
US 5744763	A	28-04-1998	JP 8129109 A JP 8270432 A JP 8301023 A JP 8310314 A JP 8314468 A JP 8185188 A	21-05-1996 15-10-1996 19-11-1996 26-11-1996 29-11-1996 16-07-1996
DE 4126884	A	18-02-1993	DE 4126884 A1	18-02-1993
US 5817408	A	06-10-1998	JP 10095060 A DE 19742198 A1 GB 2319998 A , B	14-04-1998 02-04-1998 10-06-1998
US 4729917	A	08-03-1988	EP 0265292 A2 JP 63112140 A	27-04-1988 17-05-1988