



US00D890732S

(12) **United States Design Patent**  
**Chen**

(10) **Patent No.:** **US D890,732 S**

(45) **Date of Patent:** **\*\* Jul. 21, 2020**

(54) **COMPUTER MICROPHONE**

(71) Applicant: **Ching-Wen Chen**, Taipei (TW)

(72) Inventor: **Ching-Wen Chen**, Taipei (TW)

(\*\*) Term: **15 Years**

(21) Appl. No.: **29/688,863**

(22) Filed: **Apr. 25, 2019**

(51) **LOC (12) Cl.** ..... **14-01**

(52) **U.S. Cl.**  
USPC ..... **D14/227**

(58) **Field of Classification Search**  
USPC ..... D14/224-229; D16/244; D17/99;  
D6/681; 248/125.1, 166, 185.1;  
381/355, 359, 361-363, 365, 366, 369,  
381/375; 379/428.01, 428.04, 431,  
379/433.03  
CPC : H04R 25/00; H04R 1/02; H04R 5/02; H04R  
9/08; F16M 11/38; F16M 13/00; F16M  
11/00  
See application file for complete search history.

D834,564 S \* 11/2018 Chen ..... D14/226  
D834,566 S \* 11/2018 Sunwoo ..... D14/227  
D835,612 S \* 12/2018 Tong ..... D14/225  
D842,278 S \* 3/2019 Tong ..... D14/227  
D849,721 S \* 5/2019 Chen ..... D14/227  
D850,423 S \* 6/2019 Chen ..... D14/227  
2006/0002576 A1\* 1/2006 Akino ..... H04R 1/021  
381/361  
2008/0152174 A1\* 6/2008 Marshall ..... H04R 19/04  
381/172  
2010/0208929 A1\* 8/2010 Heil ..... H04R 11/04  
381/355

\* cited by examiner

*Primary Examiner* — Katie Jane Stofko

(57) **CLAIM**

The ornamental design for a computer microphone, as shown and described.

**DESCRIPTION**

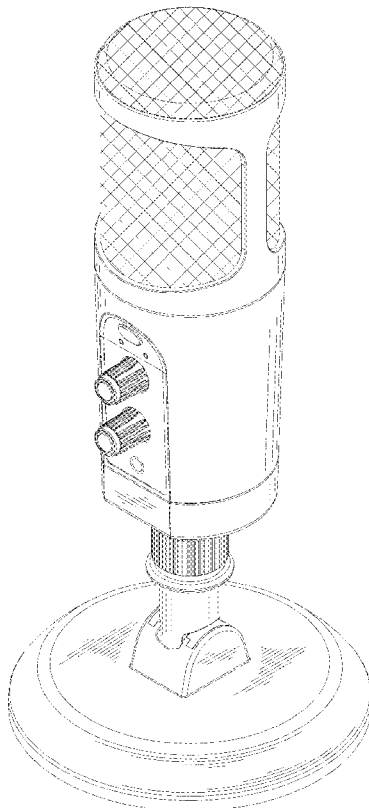
FIG. 1 is a top perspective view of a computer microphone showing my new design;  
FIG. 2 is a front view thereof;  
FIG. 3 is a rear view thereof;  
FIG. 4 is a left elevational side view thereof;  
FIG. 5 is a right elevational side view thereof;  
FIG. 6 is a top plan view thereof; and,  
FIG. 7 is a bottom plan view thereof.

**1 Claim, 7 Drawing Sheets**

(56) **References Cited**

U.S. PATENT DOCUMENTS

D171,055 S \* 12/1953 Schell, Jr. .... D14/225  
D594,856 S \* 6/2009 Marshall ..... D14/228  
D604,274 S \* 11/2009 Durrett ..... D14/228  
D834,004 S \* 11/2018 Chen ..... D14/226



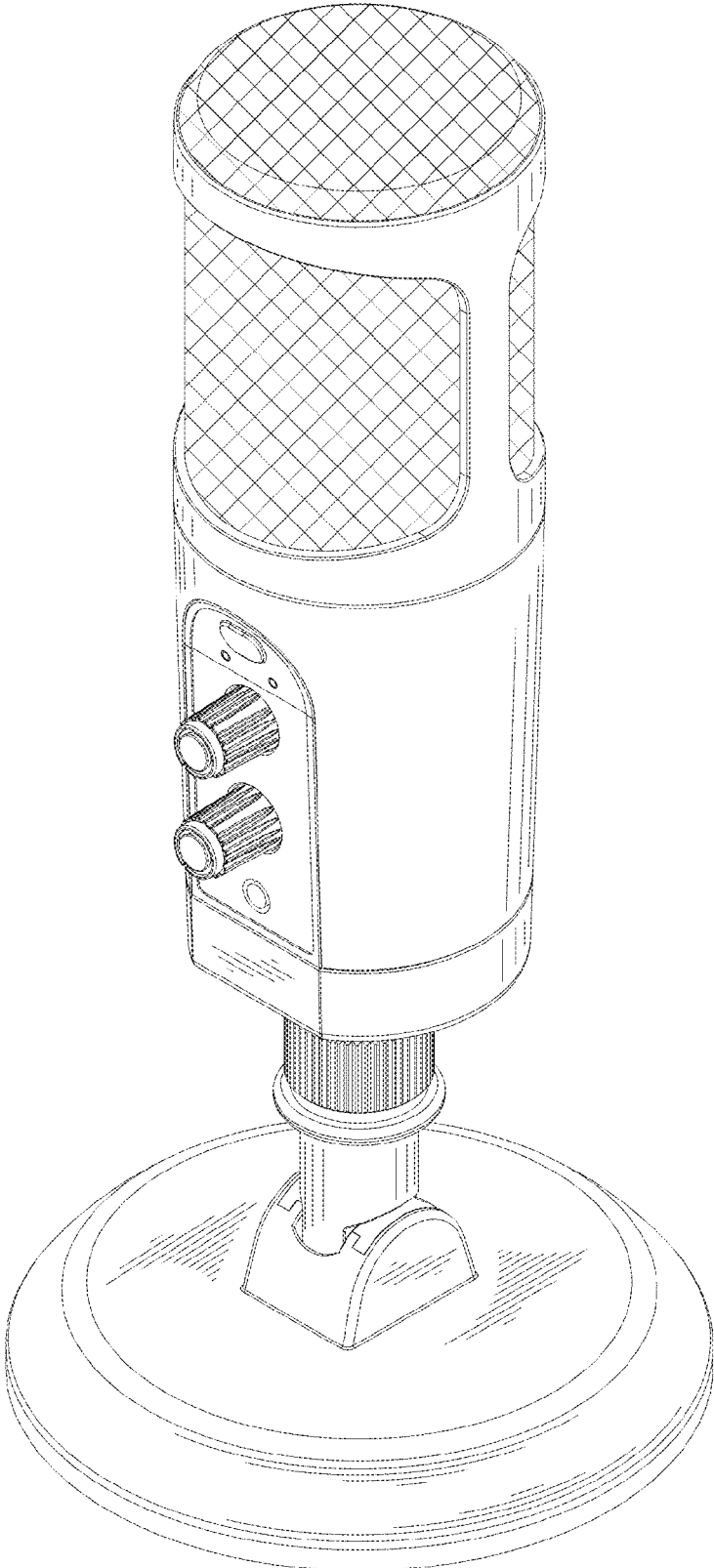


Fig.1

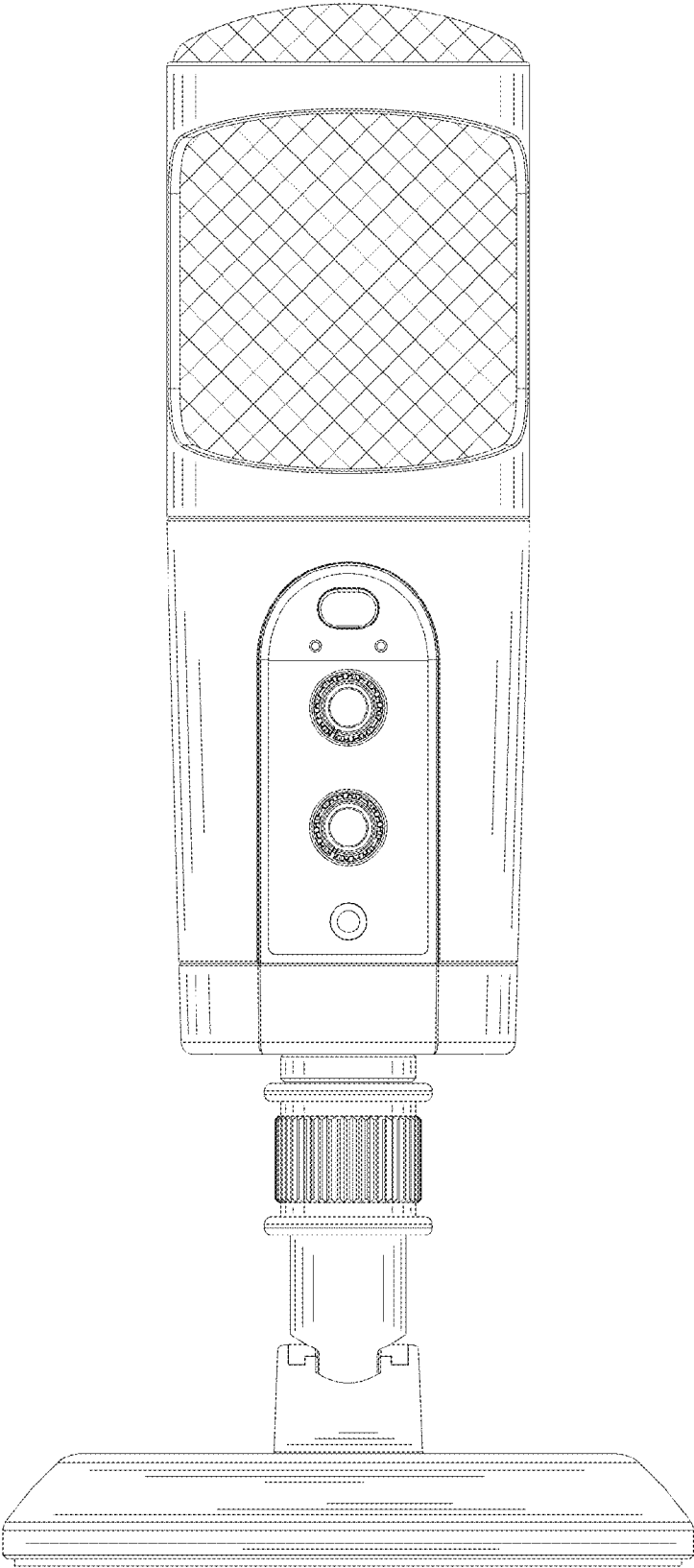


Fig.2

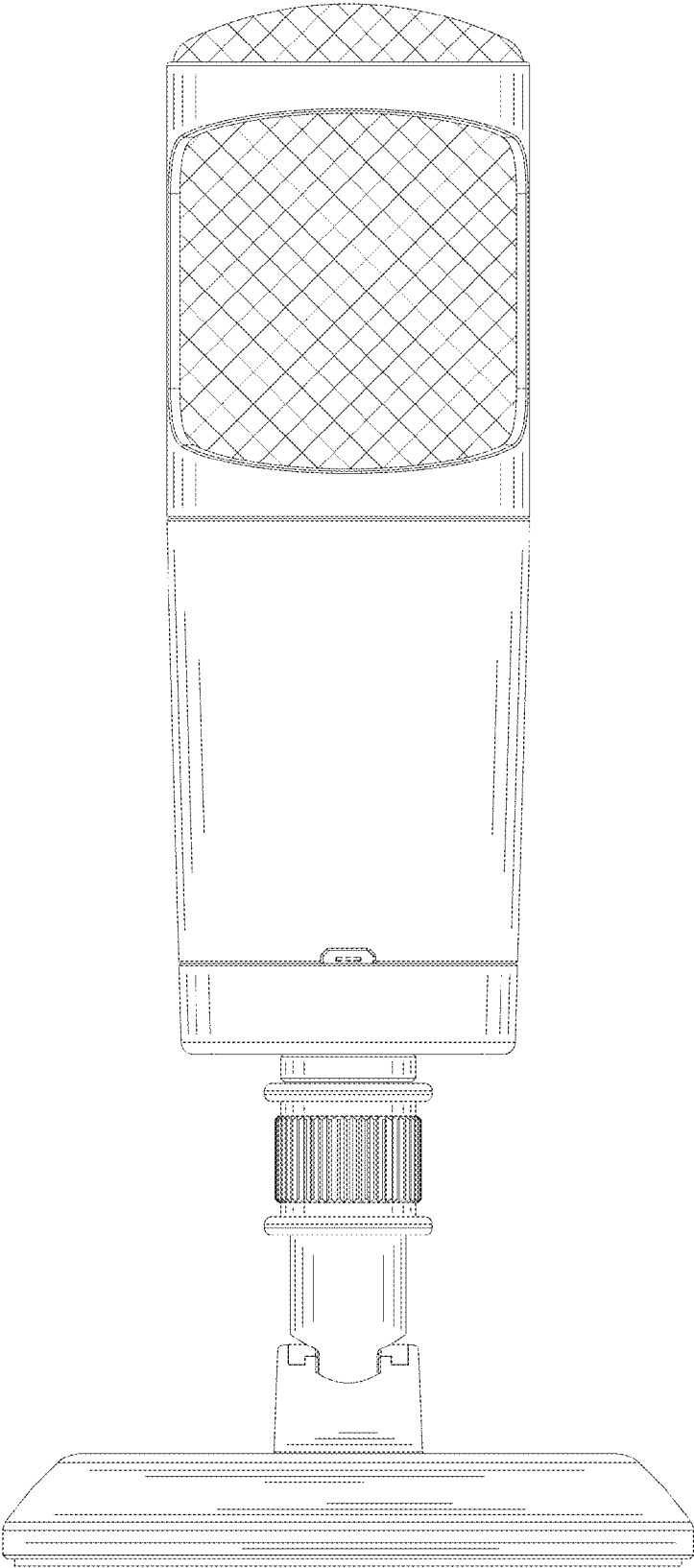


Fig.3

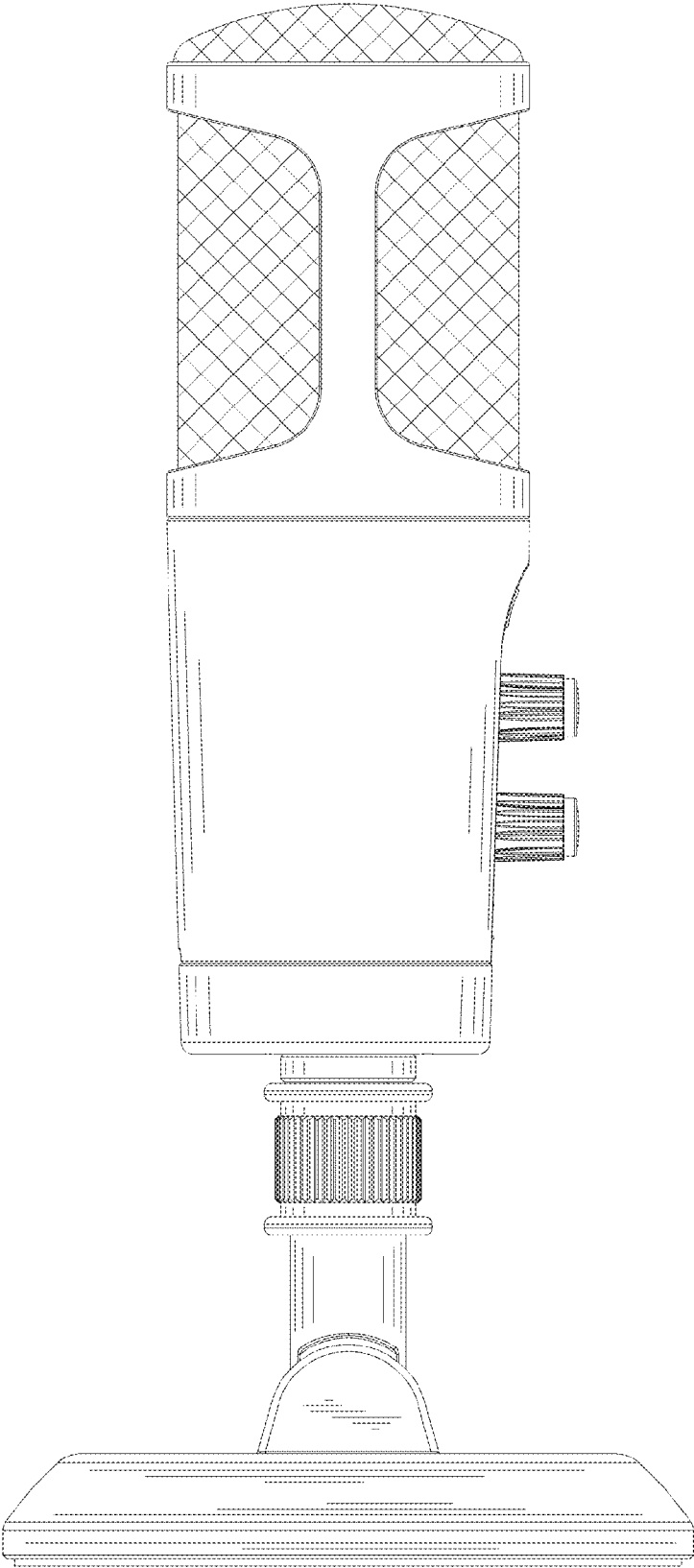


Fig.4

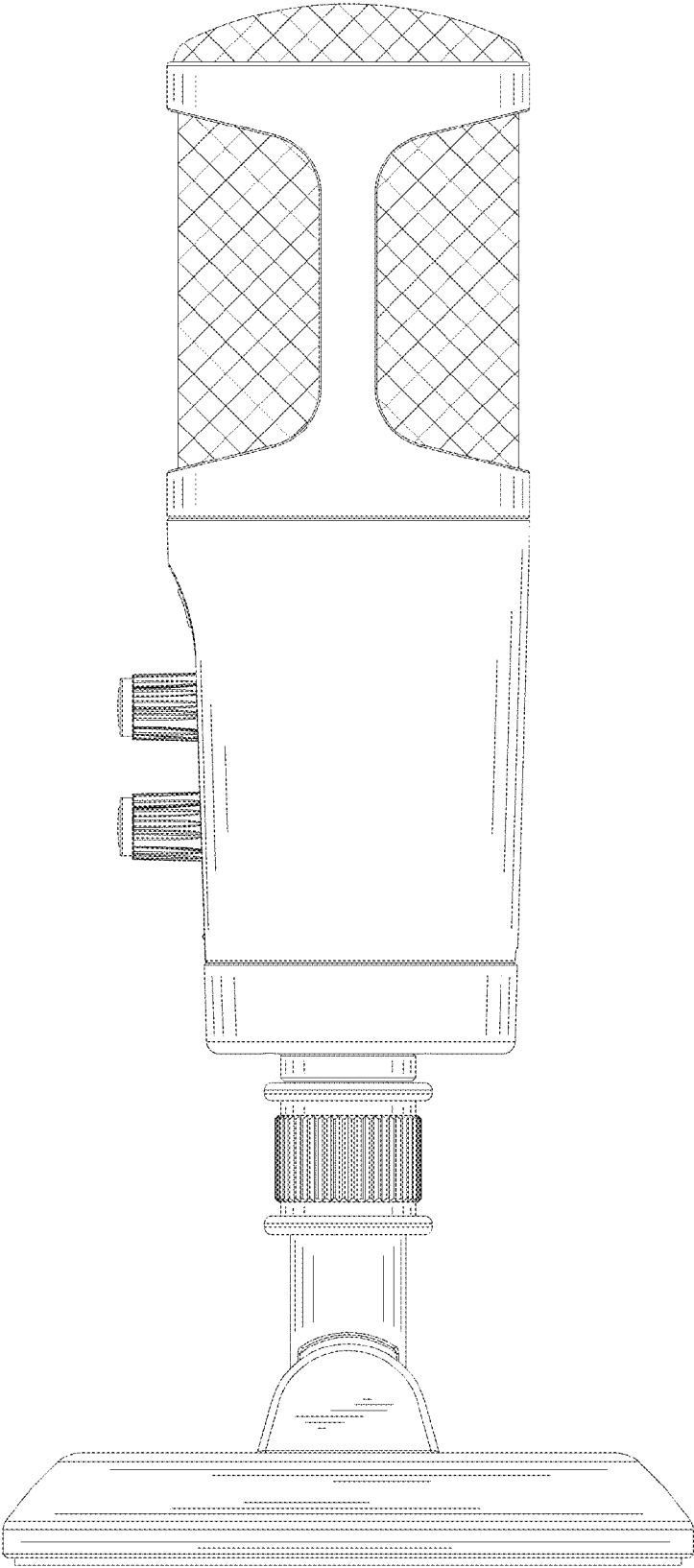


Fig.5

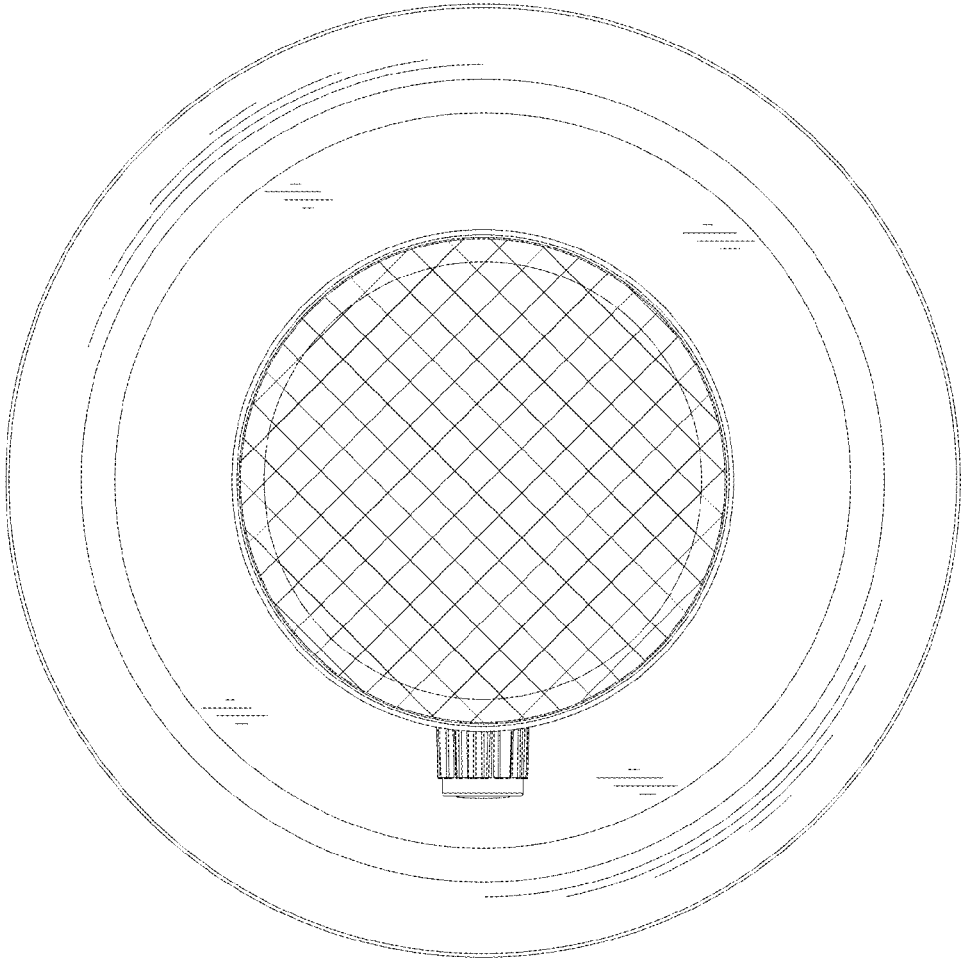


Fig.6

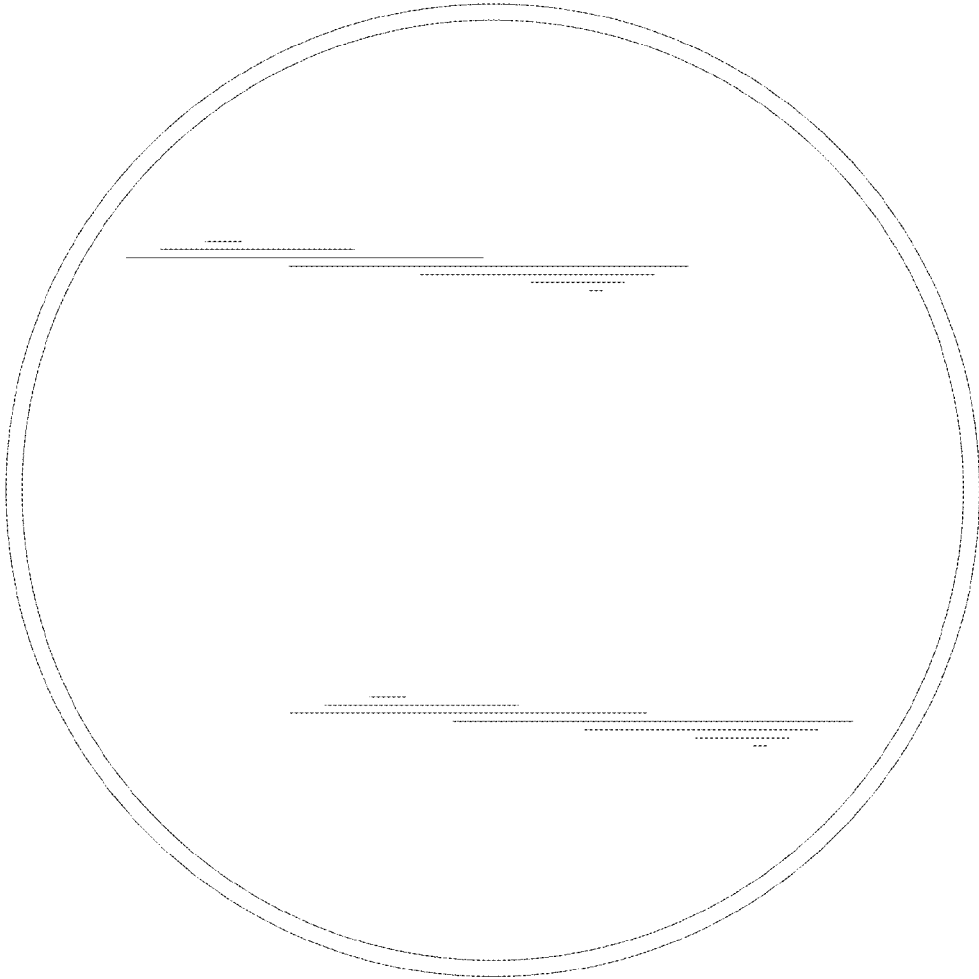


Fig.7