



US00D730993S

(12) **United States Design Patent**
Castro et al.

(10) **Patent No.:** **US D730,993 S**

(45) **Date of Patent:** **** Jun. 2, 2015**

(54) **INCLINED INPUT INTERFACE FOR A GAMING TERMINAL**

(71) Applicant: **WMS Gaming Inc.**, Waukegan, IL (US)

(72) Inventors: **Christian L. Castro**, Chicago, IL (US);
Joel R. Jaffe, Glenview, IL (US); **Paul M. Lesley**, Blue Island, IL (US); **Larry J. Pacey**, Chicago, IL (US)

(73) Assignee: **WMS Gaming Inc.**, Waukegan, IL (US)

(**) Term: **14 Years**

(21) Appl. No.: **29/467,553**

(22) Filed: **Sep. 20, 2013**

(51) **LOC (10) Cl.** **21-03**

(52) **U.S. Cl.**

USPC **D21/385**; D21/370

(58) **Field of Classification Search**

USPC D21/324–329, 369–370; 273/146;
463/17, 20, 46–47

CPC A63F 59/04

See application file for complete search history.

(56) **References Cited**

U.S. PATENT DOCUMENTS

2,661,954 A	12/1953	Koci	463/57
D236,720 S	9/1975	Baker	D21/370
4,046,419 A	9/1977	Schmitt	297/153
D264,485 S	5/1982	Kitchen	D21/370

(Continued)

FOREIGN PATENT DOCUMENTS

EP	649 671 A1	4/1995	A63F 7/02
GB	2238388 A	5/1991	G06F 3/033

(Continued)

OTHER PUBLICATIONS

Product Sheet for “American Eagle,” Eagle Co. Ltd., 1997 (2 pages).

(Continued)

Primary Examiner — Sandra Morris

(74) *Attorney, Agent, or Firm* — Nixon Peabody LLP

(57)

CLAIM

We claim the ornamental design for an “inclined input interface for a gaming terminal,” as shown and described.

DESCRIPTION

FIG. 1 is a left isometric view of a gaming machine.

FIG. 2 is an enlarged view of an inclined input interface area of the gaming machine shown in FIG. 1.

FIG. 3 is a right isometric view of the gaming machine shown in FIG. 1.

FIG. 4 is a front view of the gaming machine shown in FIG. 1.

FIG. 5 is a top view of the gaming machine shown in FIG. 1.

FIG. 6 is a right side view of the gaming machine shown in FIG. 1.

FIG. 7 is a left side view of the gaming machine shown in FIG. 1; and,

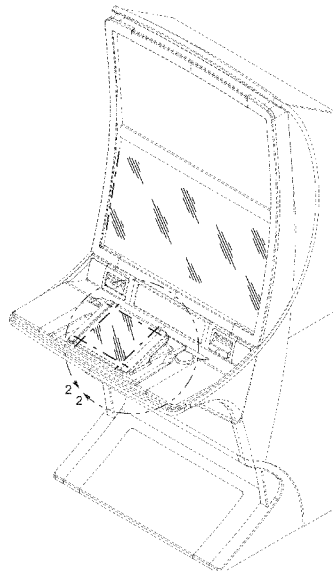
FIG. 8 is a front cross-sectional view along lines “8-8” shown in FIG. 5.

The broken lines shown in dashed form are only for illustrative purposes to show visible environmental structure and form no part of the claimed design.

The boundary lines shown in dot-dash form do not exist in reality in the gaming machine embodying the design and are only for illustrative purposes to show bounds of the claimed design. It is understood that the claimed design extends to the boundary but does not include the boundary.

The front cross-sectional view of FIG. 8 is a mirror image of the cross-sectional view along the cross-sectional line, and is included to clarify an exterior shape of the claimed design.

1 Claim, 8 Drawing Sheets



(56)

References Cited

U.S. PATENT DOCUMENTS

- 4,372,557 A * 2/1983 Del Principe et al. 463/46
4,373,725 A 2/1983 Ritchie 273/121
D275,772 S 10/1984 Akopian et al. D21/13
D280,835 S 10/1985 Berge et al. D21/13
D280,836 S 10/1985 Ludzia et al. D21/13
4,588,187 A 5/1986 Dell 463/47
4,606,545 A 8/1986 Ritchie 273/121
4,705,274 A 11/1987 Lubeck 273/148
4,840,343 A 6/1989 Gasser 248/500
4,861,037 A 8/1989 Oursler 273/121 D
4,960,117 A 10/1990 Moncrief et al. 463/46
4,981,298 A 1/1991 Lawlor et al. 273/121 A
D315,110 S 3/1991 Slater D10/88
5,015,189 A 5/1991 Wenzinger et al. 434/63
5,074,558 A 12/1991 Bleich et al. 273/121 A
5,083,738 A 1/1992 Infanti 248/500
5,091,677 A 2/1992 Bleich et al. 315/360
5,102,192 A 4/1992 Barile 297/257
5,110,120 A 5/1992 Smolucha 273/121 R
5,114,112 A 5/1992 Infanti 248/500
5,120,058 A 6/1992 Trudeau et al. 773/121 R
5,123,647 A 6/1992 Lawlor et al. 273/121 A
5,143,055 A 9/1992 Eakin 601/47
5,149,094 A 9/1992 Tastad 273/121 A
D333,164 S 2/1993 Kraft et al. D21/325
5,193,807 A 3/1993 Schilling et al. 273/121 R
5,195,746 A 3/1993 Boyd et al. 463/37
D335,150 S 4/1993 Biagi et al. D21/48
5,214,414 A 5/1993 Levine et al. 345/157
5,226,653 A 7/1993 Bil et al. 273/121 A
5,232,191 A 8/1993 Infanti 248/500
5,290,034 A 3/1994 Hineman 273/148
5,297,793 A 3/1994 DeMar et al. 273/129 V
5,316,303 A 5/1994 Trudeau et al. 273/121 A
5,322,283 A 6/1994 Ritchie et al. 273/177
5,326,104 A 7/1994 Pease et al. 273/138 A
5,327,161 A 7/1994 Logan et al. 345/157
5,350,174 A 9/1994 Ritchie et al. 273/121 A
D351,869 S 10/1994 Rothschild et al. D21/37
5,351,954 A 10/1994 Oursler et al. 273/127 R
5,357,104 A 10/1994 Bleich 250/229
5,358,241 A 10/1994 Anghelo et al. 273/118 R
5,358,242 A 10/1994 Trudeau et al. 273/119 R
5,358,243 A 10/1994 Eddy et al. 273/121 D
D352,738 S 11/1994 Anghelo et al. D21/13
5,383,663 A 1/1995 Anghelo et al. 273/118 R
5,405,144 A 4/1995 Ritchie et al. 273/121 A
5,409,296 A 4/1995 Barile 297/344.1
5,411,257 A 5/1995 Fulton 273/85
5,415,402 A 5/1995 Morrison et al. 273/121 A
5,415,403 A 5/1995 Ritchie et al. 273/121 A
5,417,425 A 5/1995 Blumberg et al.
5,437,453 A 8/1995 Hineman 273/148
5,465,963 A 11/1995 Patla, Sr. 273/118 R
5,472,197 A 12/1995 Gwiasda et al. 273/143 R
5,494,286 A 2/1996 DeMar et al. 273/121 A
5,496,977 A 3/1996 Date et al. 200/6 A
5,507,488 A 4/1996 Eddy et al. 273/127 R
5,511,783 A 4/1996 Popadiuk 273/118 R
5,516,103 A 5/1996 Lawlor et al. 273/127 R
5,522,641 A 6/1996 Infanti 297/344.13
5,524,887 A 6/1996 Trudeau et al. 273/129 S
5,533,726 A 7/1996 Nordman et al. 273/119 R
5,542,748 A 8/1996 Barile 297/463.1
5,543,591 A 8/1996 Gillespie et al. 178/18.03
D376,391 S 12/1996 Okumura D21/326
5,580,052 A 12/1996 Popadiuk et al. 273/127 R
5,632,482 A 5/1997 Anghelo 273/121 R
D380,014 S 6/1997 Yang D21/370
5,636,839 A 6/1997 Oda 273/161
5,655,965 A 8/1997 Takemoto et al. 463/20
5,664,777 A 9/1997 Nordman et al. 273/127 R
5,669,818 A 9/1997 Thorne et al. 463/30
5,678,886 A 10/1997 Infanti 297/217.3
5,697,612 A 12/1997 Piotrowski et al. 273/127 R
5,704,835 A 1/1998 Dietz, II 463/20
5,707,059 A 1/1998 Sullivan et al. 273/121 A
5,720,480 A 2/1998 Lawlor et al. 273/118 A
5,739,814 A 4/1998 Ohara 345/173
D395,436 S 6/1998 Hagenbuch
5,762,617 A 6/1998 Infanti 601/49
5,791,731 A 8/1998 Infanti 297/217.3
5,806,851 A 9/1998 Gomez et al. 273/121 A
5,820,460 A 10/1998 Fulton 463/13
5,833,236 A 11/1998 Oursler et al. 273/127 R
D405,473 S 2/1999 Tikhonski et al. D20/42
5,886,697 A 3/1999 Naughton et al. 345/473
D407,759 S 4/1999 Isetani et al. D21/326
D408,366 S 4/1999 Popadiuk D13/58
5,890,715 A 4/1999 Gomez et al. 273/118 R
5,899,454 A 5/1999 Eddy et al. 273/127 C
5,924,690 A 7/1999 Kopera et al. 273/127 R
5,934,672 A 8/1999 Sines et al. 273/143 R
5,938,195 A 8/1999 Anghelo et al. 273/127 D
5,944,309 A 8/1999 Popadiuk et al. 273/121 A
5,963,199 A 10/1999 Kato et al. 345/179
5,967,898 A 10/1999 Takasaka et al. 463/37
D417,145 S * 11/1999 McLaughlin D21/369
5,984,782 A 11/1999 Inoue 463/20
5,995,106 A 11/1999 Naughton et al. 715/854
6,000,697 A 12/1999 Popadiuk et al. 273/118 R
6,005,545 A 12/1999 Nishida et al. 345/603
D419,201 S 1/2000 De Haas D21/370
D419,606 S 1/2000 Toriyama D21/325
6,020,881 A 2/2000 Naughton et al. 715/740
6,036,188 A 3/2000 Gomez et al. 273/118 R
6,047,962 A 4/2000 Popadiuk 273/119 A
6,047,963 A 4/2000 Pierce et al. 273/143 R
D424,122 S 5/2000 Dickenson et al. D21/325
6,071,190 A 6/2000 Weiss et al. 463/25
D428,062 S 7/2000 Hayashi D21/325
6,089,663 A 7/2000 Hill 297/258.1
6,102,394 A 8/2000 Wurz et al. 273/138.2
6,113,097 A 9/2000 Krutsch et al. 273/118 A
6,117,010 A 9/2000 Canterbury 463/20
6,120,021 A 9/2000 Piotrowski et al. 273/118 R
6,129,353 A 10/2000 DeMar et al. 273/119 R
6,129,355 A 10/2000 Hahn et al. 273/142 R
6,135,449 A 10/2000 Cornell et al. 273/119 R
6,135,562 A 10/2000 Infanti 297/440.2
6,149,153 A 11/2000 Sheats, Jr. 273/129 V
6,154,209 A 11/2000 Naughton et al. 715/764
6,155,565 A 12/2000 Gomez et al. 273/118 R
6,155,925 A 12/2000 Giobbi et al. 463/20
6,158,737 A 12/2000 Cornell et al. 273/118 R
6,159,098 A 12/2000 Slomiany et al. 463/25
6,160,551 A 12/2000 Naughton et al. 715/769
6,164,644 A 12/2000 Cornell et al. 273/118 R
6,173,955 B1 1/2001 Perrie et al. 273/146
6,199,861 B1 3/2001 Hume et al. 273/118 R
D439,931 S 4/2001 Yamaguchi D21/369
6,210,279 B1 4/2001 Dickinson 463/37
6,224,482 B1 5/2001 Bennett 463/20
6,227,614 B1 5/2001 Rubin 297/172
6,227,970 B1 5/2001 Shimizu et al. 463/20
D443,313 S 6/2001 Brettschneider D21/369
6,244,960 B1 6/2001 Takasaka et al. 463/37
D446,252 S 8/2001 Yamaguchi D21/325
6,283,546 B1 9/2001 Hill 297/271.1
6,290,229 B1 9/2001 Perez 273/148
D450,094 S 11/2001 Hedrick et al. D21/369
6,319,126 B1 11/2001 Tamaki 463/25
6,323,846 B1 11/2001 Westerman et al. 345/173
6,334,612 B1 1/2002 Wurz et al. 273/143 R
6,354,660 B1 3/2002 Friedrich 297/217.1
D459,402 S 6/2002 Wurz et al. D21/325
6,422,670 B1 7/2002 Hedrick et al. 312/223.1
6,422,941 B1 7/2002 Thorne et al. 463/30
6,439,993 B1 8/2002 O'Halloran 463/16
D463,504 S 9/2002 Stephan D21/325
6,454,649 B1 9/2002 Mattice et al. 463/17
D464,377 S 10/2002 Wurz et al. D21/325
6,471,588 B2 10/2002 Sakamoto 463/20
D465,813 S 11/2002 Randall D21/370

(56)

References Cited

U.S. PATENT DOCUMENTS

D466,160 S	11/2002	Hirato et al.	D21/325	7,413,512 B2	8/2008	Mattice et al.	463/31
D467,977 S	12/2002	Gatto et al.	D21/326	D578,168 S	10/2008	Looks et al.	D21/369
D468,364 S	1/2003	Beadell et al.	D21/325	D581,983 S	12/2008	Bergström	D20/2
6,530,842 B1	3/2003	Wells et al.	463/46	7,462,798 B2	12/2008	Okada et al.	200/600
6,530,872 B2	3/2003	Frehland et al.	494/49	RE40,625 E	1/2009	Wurz et al.	D21/325
6,572,187 B2	6/2003	Laufer	297/217.1	7,479,061 B2	1/2009	Okada	463/20
6,589,114 B2	7/2003	Rose	463/20	7,479,066 B2 *	1/2009	Emori	463/46
6,609,972 B2	8/2003	Seelig	463/20	D587,272 S *	2/2009	Morrow et al.	D21/369
6,616,142 B2	9/2003	Adams	273/292	D587,319 S *	2/2009	Moises Deiab	D21/325
6,620,044 B1	9/2003	Okada	463/20	RE40,671 E	3/2009	Wurz et al.	D21/325
6,620,047 B1	9/2003	Alcorn et al.	463/37	7,503,849 B2	3/2009	Hornik et al.	463/20
6,626,761 B1	9/2003	Okada	463/43	7,562,872 B2	7/2009	Okada	273/108
D481,078 S	10/2003	Stephan	D21/369	D599,858 S	9/2009	Lesley et al.	D21/370
6,646,695 B1	11/2003	Gauselmann	349/58	D599,859 S	9/2009	Lesley et al.	D21/370
D483,075 S	12/2003	Kang	D21/326	D599,860 S	9/2009	Lesley et al.	D21/385
D484,548 S	12/2003	Franco Muñoz et al.	D21/370	D601,638 S *	10/2009	Palmisano	D21/385
6,659,867 B1	12/2003	Kodachi et al.	463/20	D604,368 S	11/2009	Lesley et al.	D21/370
D485,583 S	1/2004	Porto	D21/369	D605,231 S	12/2009	Hashimoto et al.	D21/325
6,672,962 B1	1/2004	Ozaki et al.	463/37	7,628,693 B2	12/2009	Thomas	463/20
6,695,697 B1	2/2004	Okada	463/20	7,628,701 B2	12/2009	Wells	463/37
6,699,122 B1	3/2004	Osawa	463/20	7,686,689 B2	3/2010	Thomas	463/27
6,715,756 B2	4/2004	Inoue	273/138.2	D613,802 S	4/2010	Meyers et al.	D21/370
6,729,618 B1	5/2004	Koenig et al.	273/138.2	D615,598 S	5/2010	McComb et al.	D21/370
D492,363 S	6/2004	Seelig et al.	D21/370	7,713,119 B2	5/2010	Pacey et al.	463/20
D492,364 S	6/2004	Seelig et al.	D21/370	D622,780 S	8/2010	Lesley et al.	D21/369
D492,365 S	6/2004	Muñoz et al.	D21/370	D622,781 S	8/2010	Lesley et al.	D21/369
D492,676 S	7/2004	Monson et al.	D14/306	D622,782 S	8/2010	Chudek et al.	D21/385
D493,843 S	8/2004	Jackson et al.	D21/327	7,780,515 B2	8/2010	Okada	463/20
D493,846 S	8/2004	Seelig et al.	D21/370	D626,182 S	10/2010	Cole et al.	D21/369
D495,754 S	9/2004	Wurz et al.	D21/370	D626,183 S	10/2010	Cole et al.	D21/370
D495,755 S	9/2004	Wurz et al.	D21/370	7,811,167 B2	10/2010	Giobbi et al.	463/24
D498,267 S	11/2004	Crouch	D21/370	D631,100 S *	1/2011	Palmisano	D21/385
D500,098 S	12/2004	Doi	D21/477	7,892,096 B2	2/2011	Rigsby et al.	463/37
6,857,958 B2	2/2005	Osawa	463/20	D633,950 S	3/2011	Terpstra et al.	D21/369
6,880,825 B2	4/2005	Seelig et al.	273/143 R	7,938,728 B2 *	5/2011	Vetter et al.	463/46
D505,162 S *	5/2005	Bristol et al.	D21/369	7,955,176 B2	6/2011	Tastad et al.	463/46
D508,268 S	8/2005	Hanchar et al.	D21/369	7,976,393 B2	7/2011	Haga et al.	463/46
D508,269 S	8/2005	Wichinsky	D21/369	7,985,139 B2	7/2011	Lind et al.	463/46
D508,719 S	8/2005	de Haas	D21/369	8,002,424 B2	8/2011	Hwang et al.	362/125
D508,961 S	8/2005	Gatto et al.	D21/369	8,002,626 B2	8/2011	Englman	463/20
D509,254 S	9/2005	Rasmussen et al.	D21/369	8,016,655 B2	9/2011	Sato	463/11
D509,255 S *	9/2005	Bristol et al.	D21/369	D646,337 S	10/2011	Kelly et al.	D21/370
D512,105 S	11/2005	Chitrapongse et al.	D21/370	D649,605 S	11/2011	Okuyama et al.	
D515,144 S *	2/2006	Boyd	D21/369	8,087,986 B2	1/2012	Yoshizawa	463/13
6,997,810 B2	2/2006	Cole	463/46	8,113,945 B2	2/2012	Yoshizawa	463/22
7,063,615 B2	6/2006	Alcorn et al.	463/1	8,123,603 B2	2/2012	Yoshizawa	463/11
7,066,813 B1	6/2006	Sakamoto et al.	463/20	8,123,615 B2	2/2012	Okada	463/35
7,097,560 B2	8/2006	Okada	463/20	8,137,192 B2	3/2012	Thomas	463/31
7,108,237 B2	9/2006	Gauselmann	248/220.22	8,152,623 B2	4/2012	Fiden	463/20
D531,677 S	11/2006	Mallory et al.	D21/369	8,162,740 B2	4/2012	Aoki	463/20
7,159,865 B2	1/2007	Okada	273/143 R	8,182,344 B2	5/2012	Bleich et al.	463/37
7,184,277 B2	2/2007	Beirne	361/807	8,216,046 B2	7/2012	Ikeya et al.	463/17
D539,854 S	4/2007	Luciano et al.	D21/369	8,216,061 B2	7/2012	Pacey	463/25
7,247,098 B1 *	7/2007	Bradford et al.	463/47	8,262,480 B2	9/2012	Cohen et al.	463/37
D548,801 S *	8/2007	Grosvirt	D21/369	8,267,764 B1	9/2012	Aoki et al.	463/16
D549,785 S	8/2007	Luciano, Jr. et al.	D21/370	D669,076 S *	10/2012	Haller	D14/374
7,267,612 B2	9/2007	Alcorn et al.	463/16	8,292,451 B2	10/2012	Hwang et al.	362/125
7,281,980 B2	10/2007	Okada	463/20	8,303,420 B2	11/2012	Chudek et al.	463/46
7,294,059 B2	11/2007	Silva et al.	463/37	8,308,561 B2	11/2012	Mattice et al.	463/31
D557,748 S *	12/2007	Jumper	D21/333	8,323,114 B2	12/2012	Burak et al.	463/46
D559,328 S	1/2008	Rasmussen et al.	D21/333	D673,620 S *	1/2013	Johnson et al.	D21/369
D559,917 S	1/2008	Cole	D21/369	8,353,755 B2	1/2013	Vann et al.	463/20
D560,724 S	1/2008	Johnson	D21/370	8,371,920 B2	2/2013	Gomez et al.	463/17
D560,725 S	1/2008	Johnson	D21/370	8,371,923 B1	2/2013	Iremonger et al.	463/19
7,322,883 B2	1/2008	Toyoda	463/11	8,371,927 B2	2/2013	Englman	463/20
D563,326 S	3/2008	Patel et al.	D13/164	8,371,928 B2	2/2013	Englman et al.	463/20
D563,481 S	3/2008	Looks et al.	D21/370	8,376,832 B2	2/2013	O'Connor et al.	463/20
D564,600 S	3/2008	Greenberg et al.	D21/370	8,408,991 B2	4/2013	Gilmore	463/20
D564,601 S	3/2008	Strahinic et al.	D21/370	8,430,756 B2	4/2013	McComb et al.	463/46
7,338,363 B2	3/2008	Okada	463/13	D685,033 S	6/2013	Wudtke	D21/370
D566,197 S	4/2008	Greenberg et al.	D21/370	8,460,103 B2	6/2013	Mattice et al.	463/36
7,355,660 B2	4/2008	Ikeda	349/60	8,475,271 B2	7/2013	Okada	463/31
7,390,259 B2	6/2008	Okada	463/20	D693,343 S *	11/2013	Haller	D14/374
D572,314 S	7/2008	Vallejo et al.	D21/370	2002/0041069 A1	4/2002	Steelman	273/138.1
7,409,513 B2	8/2008	Tanimura	711/163	2003/0122973 A1	7/2003	Huang	348/836
				2004/0018877 A1	1/2004	Tastad et al.	463/46
				2004/0053662 A1	3/2004	Pacey	463/16
				2004/0166937 A1	8/2004	Rothschild et al.	463/36
				2005/0014547 A1	1/2005	Gomez et al.	463/16

(56)

References Cited

U.S. PATENT DOCUMENTS

2006/0009284	A1	1/2006	Schwartz et al.	463/30
2006/0079316	A1	4/2006	Flemming et al.	463/25
2006/0131810	A1	6/2006	Nicely	273/292
2006/0166728	A1	7/2006	Cornell et al.	463/16
2006/0178205	A1	8/2006	Bleich et al.	463/22
2006/0183553	A1	8/2006	Kiriyama et al.	463/46
2006/0199638	A1	9/2006	Walker et al.	463/30
2006/0281559	A1	12/2006	Luciano	463/46
2006/0287111	A1	12/2006	Mitchell et al.	463/46
2008/0039213	A1	2/2008	Cornell et al.	463/46
2008/0051202	A1	2/2008	Lube	463/46
2009/0174996	A1*	7/2009	Park	361/679.21
2009/0181769	A1	7/2009	Thomas et al.	463/32
2009/0275406	A1	11/2009	Bytnar et al.	463/30
2010/0124962	A1	5/2010	Chudek et al.	463/13
2010/0291992	A1	11/2010	Greenberg et al.	463/25
2011/0165932	A1	7/2011	Rommerdahl et al.	463/17
2012/0122553	A1	5/2012	Bunch et al.	463/23
2012/0122569	A1	5/2012	Kowolik et al.	463/30
2013/0079157	A1	3/2013	Chudek et al.	463/46
2013/0217491	A1	8/2013	Hilbert et al.	463/31

FOREIGN PATENT DOCUMENTS

JP		03210172	B2	2/1993	A63F 9/22
WO		WO 96/22580	A1	7/1996	A63F 13/00
WO		WO 96/22581	A1	7/1996	A63F 13/00
WO		WO 97/32641	A1	9/1997	A63F 13/00
WO		WO 98/29854	A1	7/1998	G09B 5/06
WO		WO 98/33568	A1	8/1998	A63F 13/08
WO		WO 99/58214	A1	11/1999	A63F 9/02
WO		WO 00/03407	A1	1/2000	H01H 25/04

WO		WO 00/56414	A1	9/2000	A63F 9/02
WO		WO 2007/127258	A2	11/2007	A63F 13/10
WO		WO 2008/045464	A2	4/2008	A63F 13/06

OTHER PUBLICATIONS

- Product Sheet for "Monopoly Chairman of the Board™," WMS Gaming Inc., 1999 (2 pages).
- Product Sheet for "American Eagle," Eagle Co., Ltd., 2000 (2 pages).
- Product Sheet for "Survivor," WMS Gaming Inc., 2001 (4 pages).
- Product Sheet for "ProSLOT® 6000," Bally Gaming Systems, 2002 (4 pages).
- Product Sheet for "EVO™ Hybrid," Bally Gaming Systems, 2002 (4 pages).
- Product Sheet for "3RV™," WMS Gaming Inc., 2002 or earlier (2 pages).
- Product Sheet for "Miss America," AC Coin & Slot, 2002 or earlier (2 pages).
- Product Catalog for Ainsworth Game Technology Ltd, date estimated as early as 2007 (6 pages).
- Product Sheet for "Ultrapin™," Global VR, 2007 (1 pages).
- Brochure for "Virtual Pinball," Tab-Austria, 2007 (8 pages).
- Catalog for Atronic®-Spiele®, date estimated as early as 2008 (2 pages).
- Product Catalog for "Alpha Elite™," Bally Technologies, date estimated as early as 2008-2009 (2 pages).
- Cabinet Brochure for Hydako Co., date estimated as early as 2009 (1 page).
- Product Catalog for Bally Technologies, date estimated as early as 2010 (2 pages).
- Fall & Winter Catalog for Aristocrat, date estimated as early as 2010-2011 (7 pages).
- Catalog for "Your Partner Innovation," Bally Technologies, date estimated as early as 2011 (4 pages).

* cited by examiner

FIG. 1

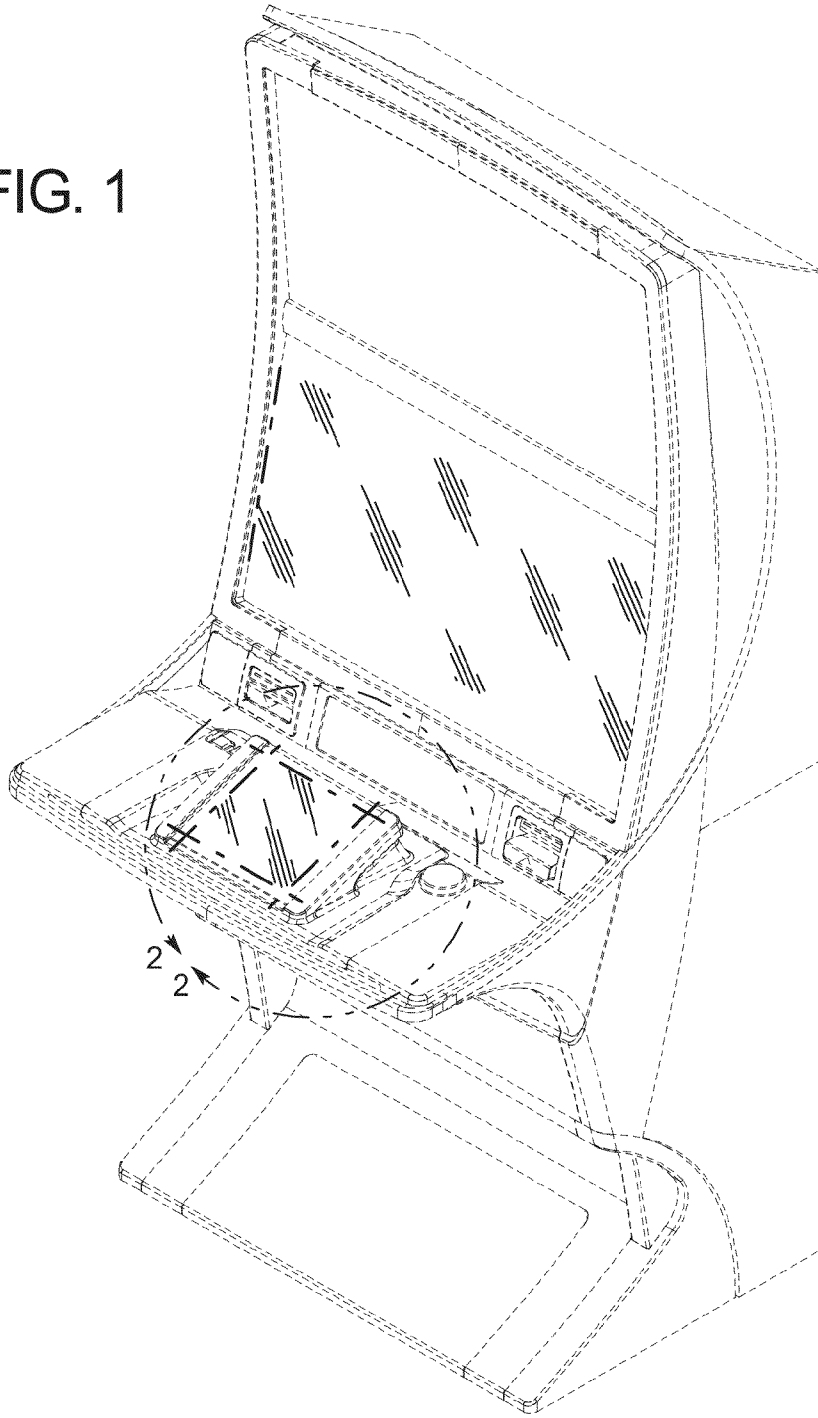
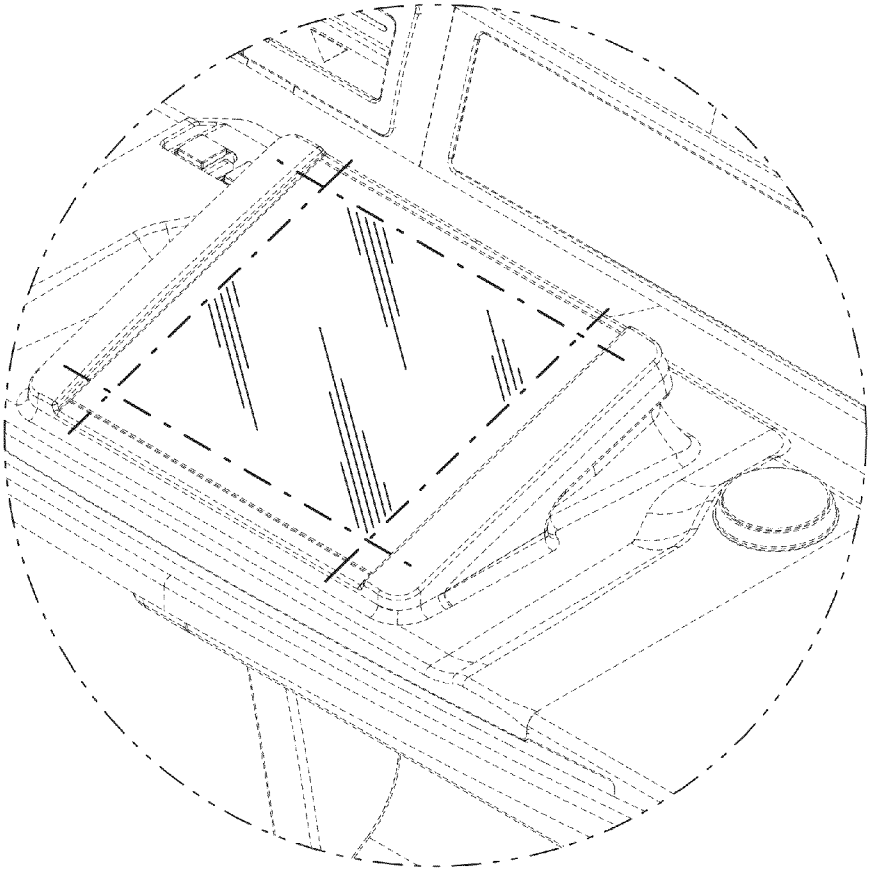


FIG. 2



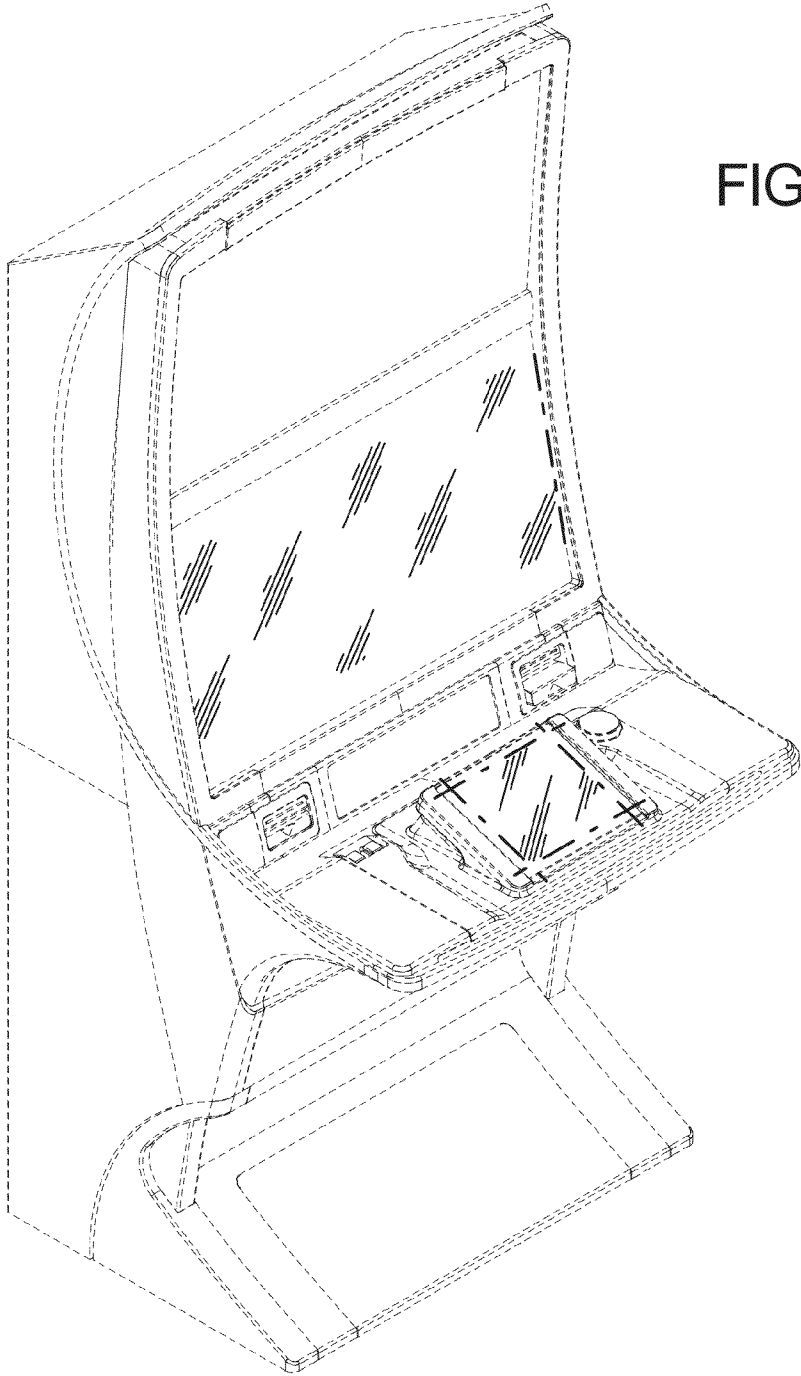


FIG. 3

FIG. 4

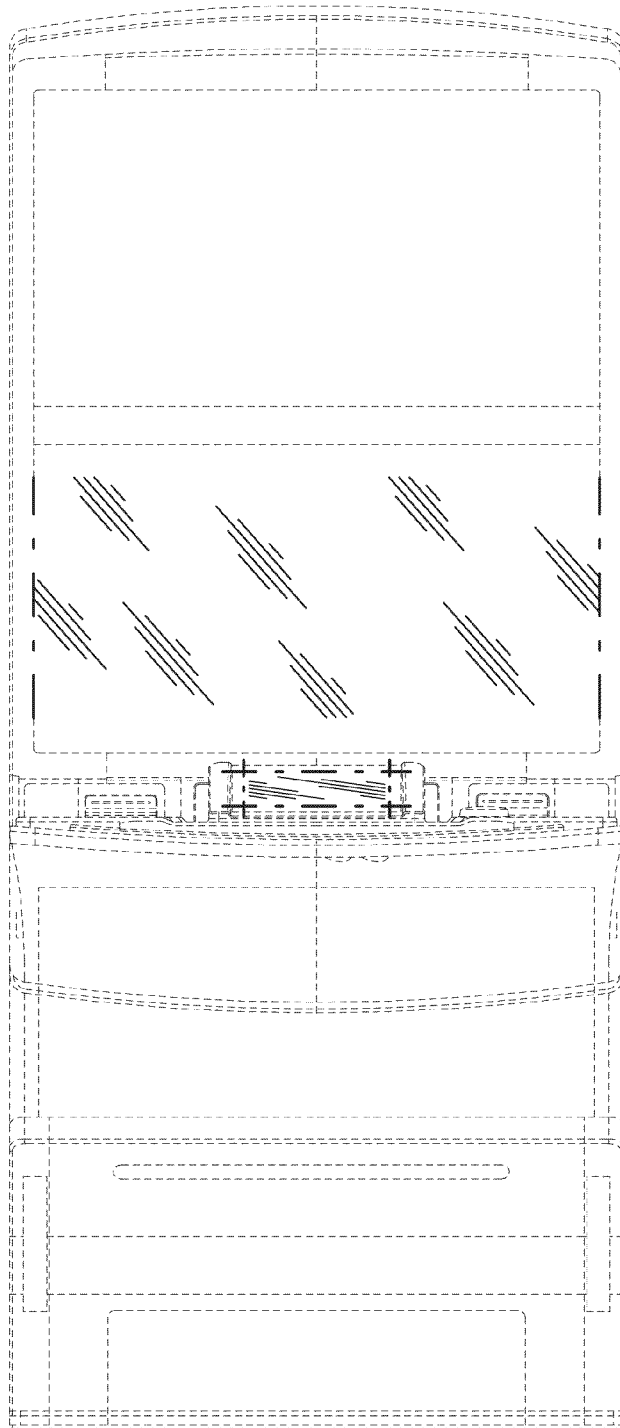


FIG. 5

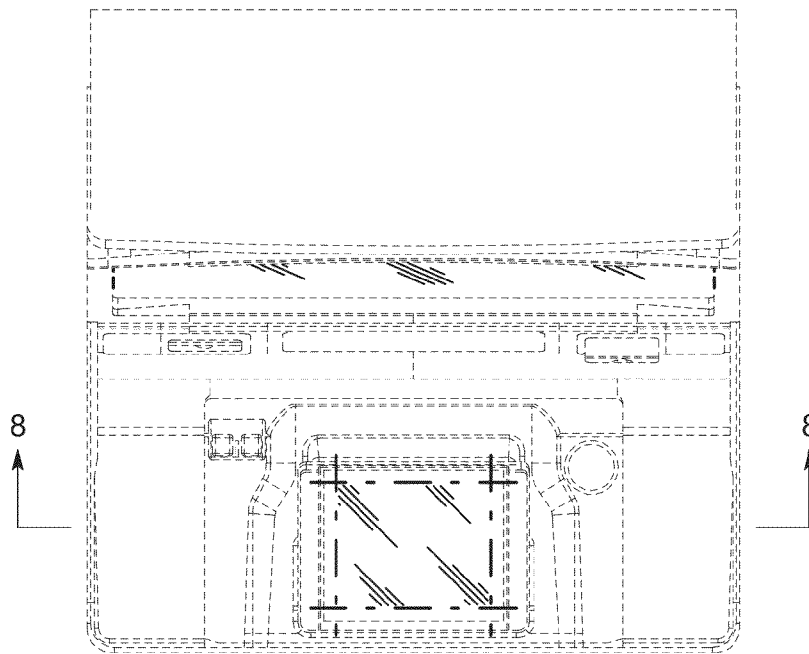
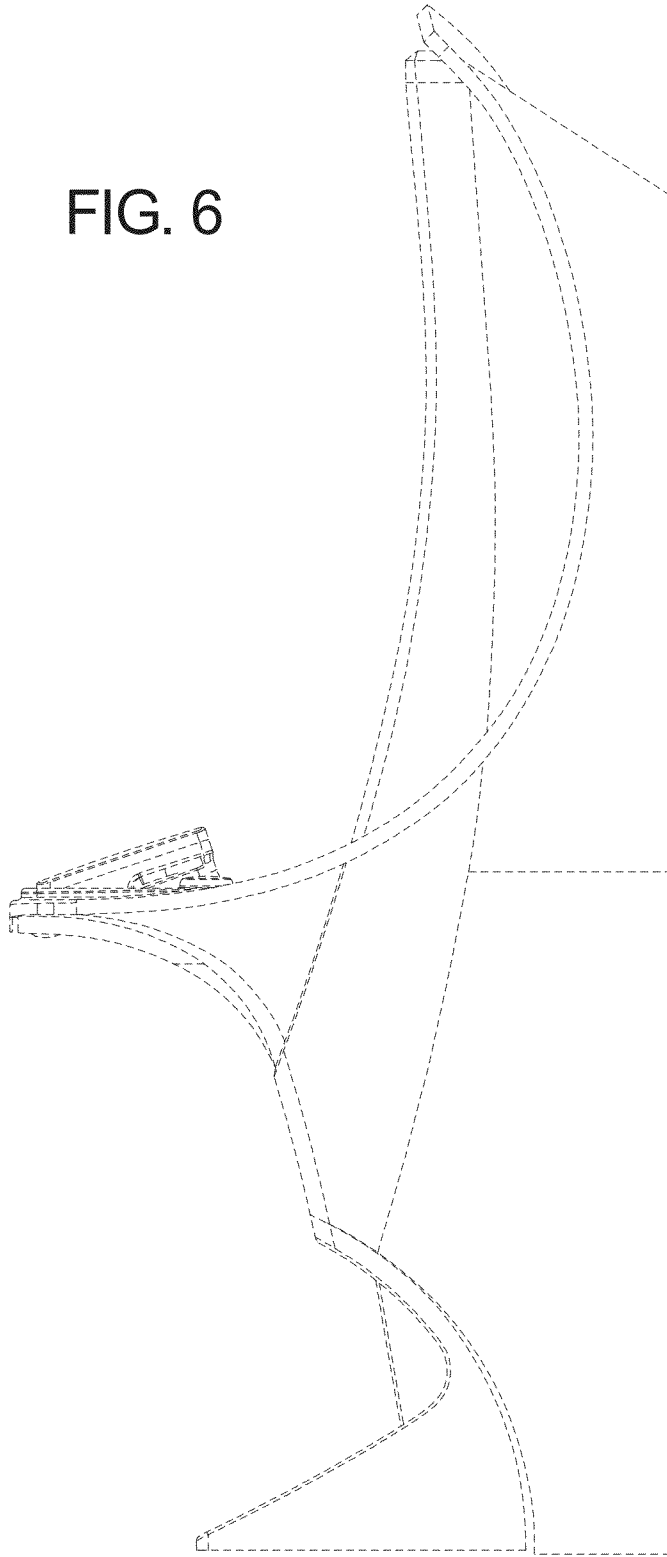


FIG. 6



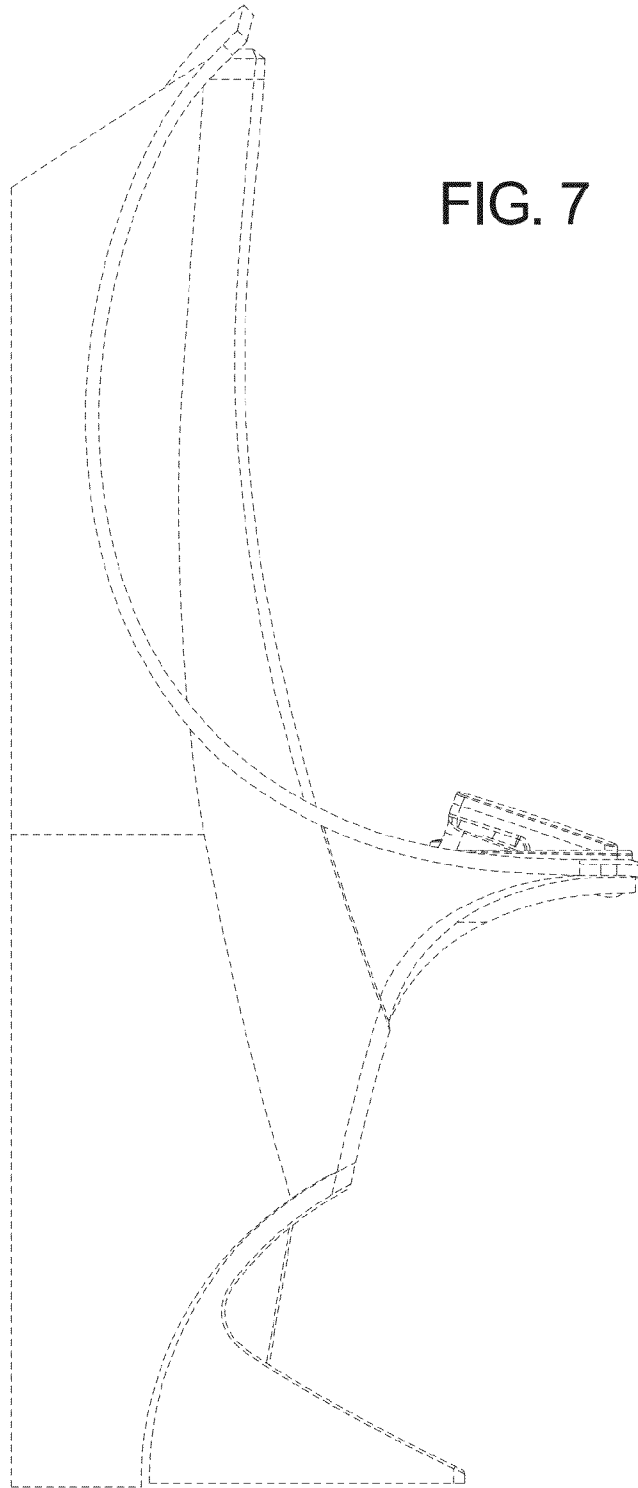


FIG. 8

