



US00D762847S

(12) **United States Design Patent**  
**Homsy et al.**

(10) **Patent No.:** **US D762,847 S**

(45) **Date of Patent:** **\*\* Aug. 2, 2016**

(54) **PART OF INJECTION CATHETER HANDLE**

(71) Applicant: **CARDIO3 BIOSCIENCES S.A.**,  
Mont-Saint-Guibert (BE)

(72) Inventors: **Christian Homsy**, Woluwe-Saint-Pierre  
(BE); **Jean-Pierre Latere Dwan'isa**,  
Wavre (BE)

(73) Assignee: **Celyad S.A.**, Mont-Saint-Guibert (BE)

(\*\*) Term: **14 Years**

(21) Appl. No.: **29/469,258**

(22) Filed: **Oct. 8, 2013**

(30) **Foreign Application Priority Data**

Apr. 8, 2013 (EP) ..... 002216143-0003

(51) **LOC (10) Cl.** ..... **24-02**

(52) **U.S. Cl.**  
USPC ..... **D24/112**

(58) **Field of Classification Search**

USPC ..... D24/112-114, 133, 186, 127-131;  
606/181, 185; 604/264, 272, 115, 232,  
604/187, 158, 164.08, 192, 263, 163, 181,  
604/184, 198, 227; 600/101, 139, 143;  
128/200.24, 207.14, 207.15  
CPC ..... A61B 18/1492; A61B 2018/00577;  
A61B 2017/003; A61M 25/0147; A61M  
25/0136  
See application file for complete search history.

(56) **References Cited**

U.S. PATENT DOCUMENTS

D294,063 S 2/1988 Smith  
D316,208 S \* 4/1991 Griffiths et al. .... D7/398  
D338,955 S \* 8/1993 Gresl et al. .... D24/130  
D360,260 S 7/1995 Brandt  
D373,190 S 8/1996 Monson  
5,827,239 A 10/1998 Dillon et al.  
5,857,997 A 1/1999 Cimino et al.

5,984,907 A 11/1999 McGee et al.  
D468,205 S \* 1/2003 Pierce ..... D9/440  
6,589,208 B2 7/2003 Ewers et al.  
D484,801 S \* 1/2004 Pierce ..... D9/440  
D490,315 S \* 5/2004 Kiser ..... D9/445  
D500,892 S 1/2005 Chen  
D504,508 S 4/2005 Patrickson  
D510,233 S 10/2005 Giannone  
D513,378 S 1/2006 Lin  
D533,776 S \* 12/2006 Allen et al. .... D9/440  
D553,982 S \* 10/2007 Erb ..... D9/447  
D577,997 S \* 10/2008 Pan ..... D9/440  
D585,994 S 2/2009 Mulhauser et al.  
D614,297 S 4/2010 Criscuolo et al.  
D616,990 S 6/2010 Suzuki

(Continued)

FOREIGN PATENT DOCUMENTS

WO 2010125159 A1 11/2010  
WO 2010125166 A1 11/2010

*Primary Examiner* — David Muller

*Assistant Examiner* — Nathan Johnston

(74) *Attorney, Agent, or Firm* — Schwabe Williamson &  
Wyatt

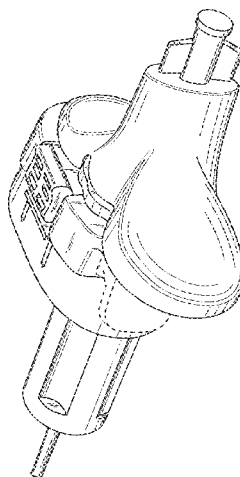
(57) **CLAIM**

We claim the ornamental design for a part of injection catheter handle, as shown and described.

**DESCRIPTION**

FIG. 1 is a perspective view of a part of injection catheter handle, showing our new design;  
FIG. 2 is a front view thereof;  
FIG. 3 is a back view thereof;  
FIG. 4 is a side view thereof;  
FIG. 5 is a bottom view thereof;  
FIG. 6 is a perspective view of a part of injection catheter handle;  
FIG. 7 is a side view of FIG. 6;  
FIG. 8 is a front view of FIG. 6; and,  
FIG. 9 is a top view of FIG. 6.

**1 Claim, 9 Drawing Sheets**



(56)

**References Cited**

U.S. PATENT DOCUMENTS

D623,918 S	9/2010	Arvinte et al.	D687,950 S	8/2013	Gitman	
7,806,870 B2	10/2010	Mastri et al.	D688,127 S *	8/2013	Agassi et al. ....	D9/440
D631,153 S	1/2011	McGlothlin et al.	D693,641 S	11/2013	Slaker et al.	
D637,871 S	5/2011	Frank	D695,114 S *	12/2013	McDonald .....	D9/440
8,002,749 B2	8/2011	Macatangay et al.	D700,329 S	2/2014	Lim	
D652,137 S	1/2012	Nino et al.	D704,337 S	5/2014	Dunn	
D652,251 S *	1/2012	Goralski et al. ....	D708,740 S	7/2014	Osyypka et al.	
D660,957 S	5/2012	Lee-Sepsick	D709,184 S	7/2014	Lee-Sepsick	
D663,530 S	7/2012	Duwa	D714,436 S	9/2014	Lee-Sepsick	
D675,485 S	2/2013	Frank	2003/0181859 A1	9/2003	Brunel	
D678,512 S	3/2013	Bow	2003/0225375 A1	12/2003	Coleman et al.	
D678,768 S *	3/2013	Agassi et al. ....	2004/0230218 A1	11/2004	Criscuolo et al.	
D681,456 S *	5/2013	Agarwal et al. ....	2011/0301551 A1	12/2011	Koehler et al.	
			2013/0144253 A1	6/2013	Ryan et al.	
			2014/0018775 A1	1/2014	Swords et al.	
			2014/0228804 A1	8/2014	Castillo	

\* cited by examiner

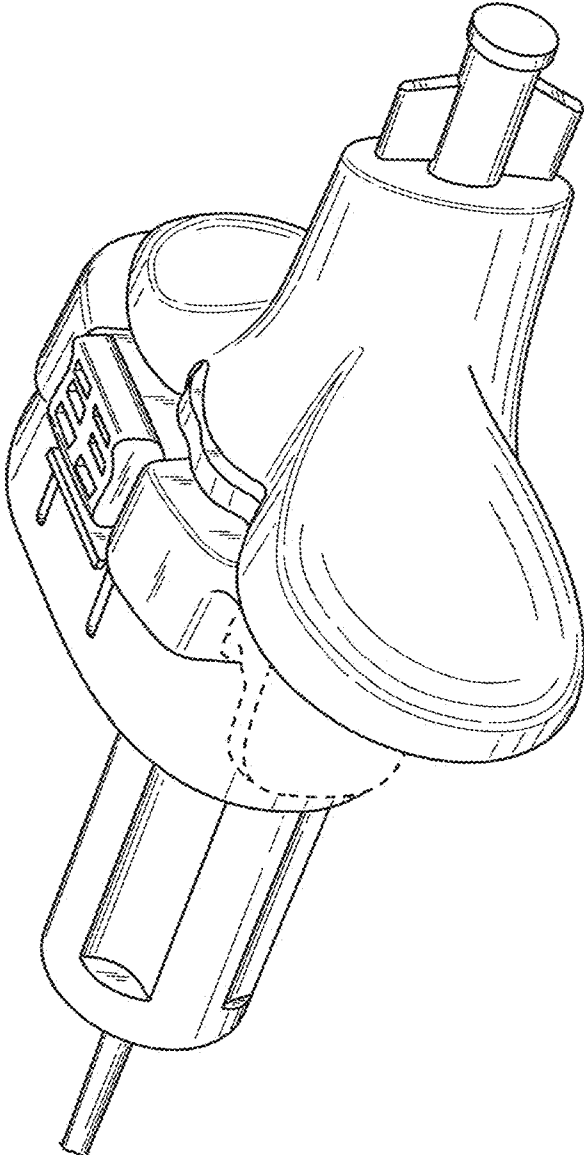


FIG. 1

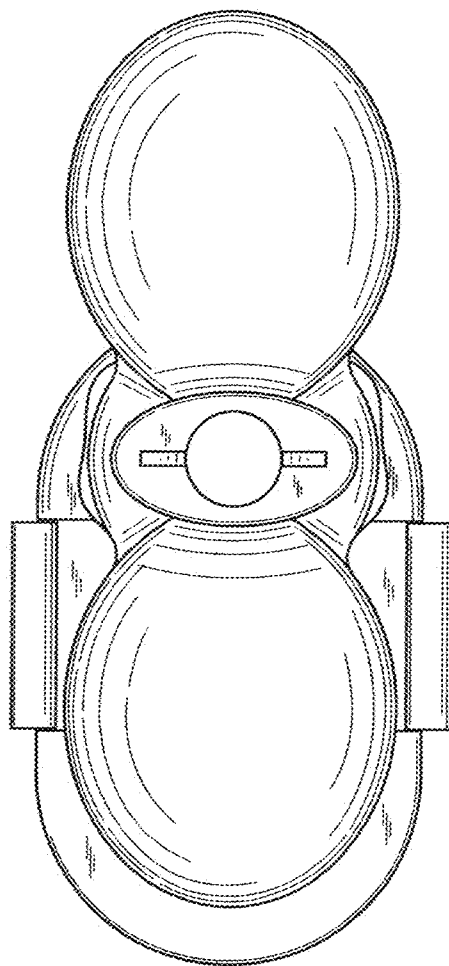


FIG. 2

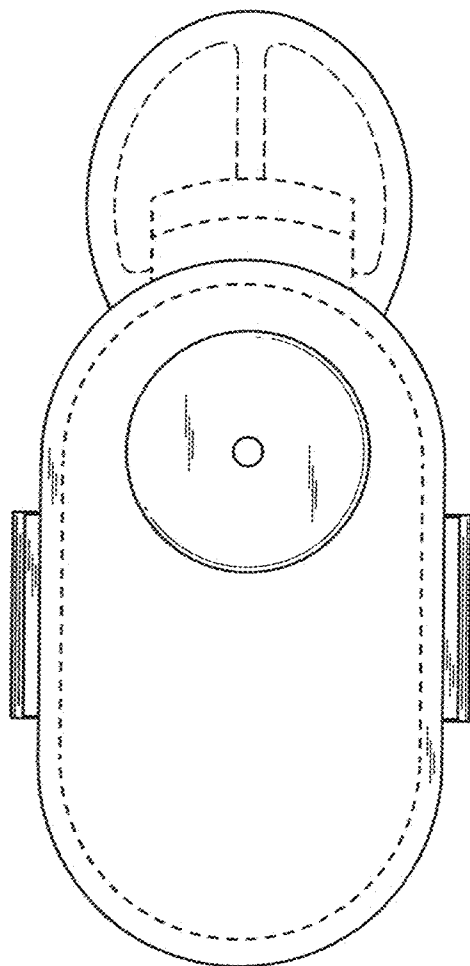


FIG. 3

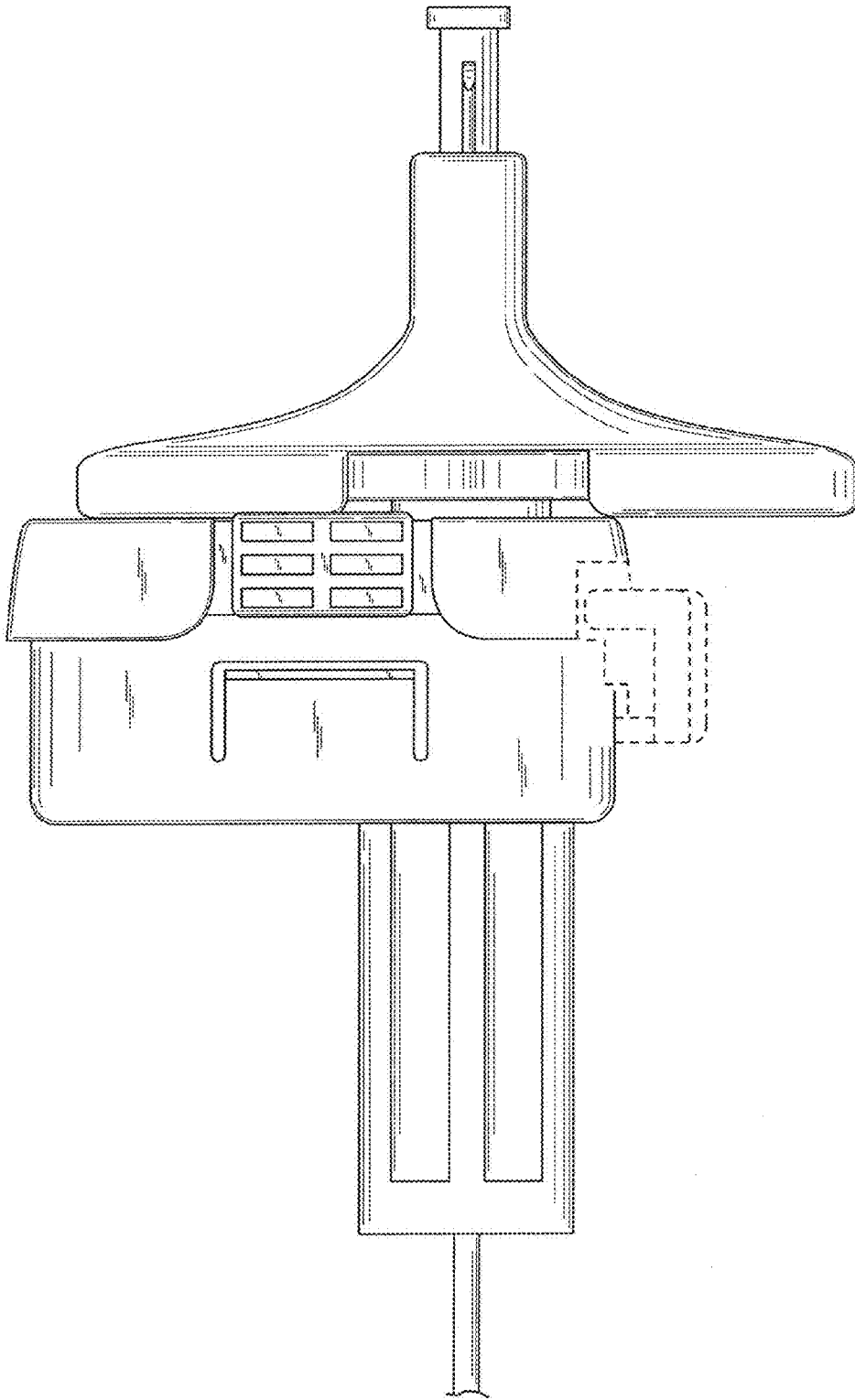


FIG. 4

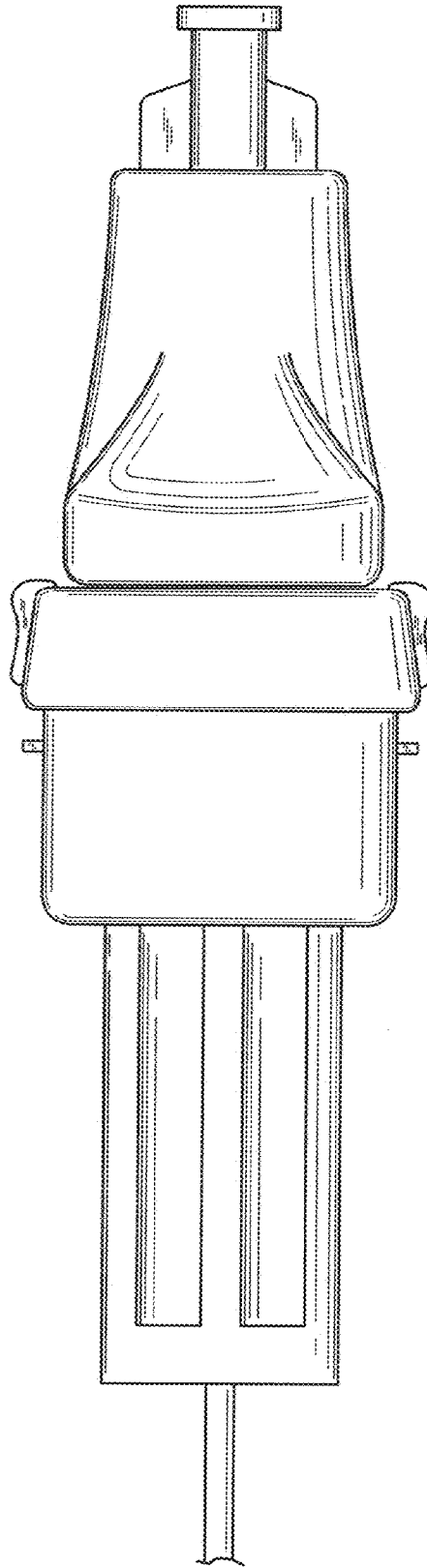


FIG. 5

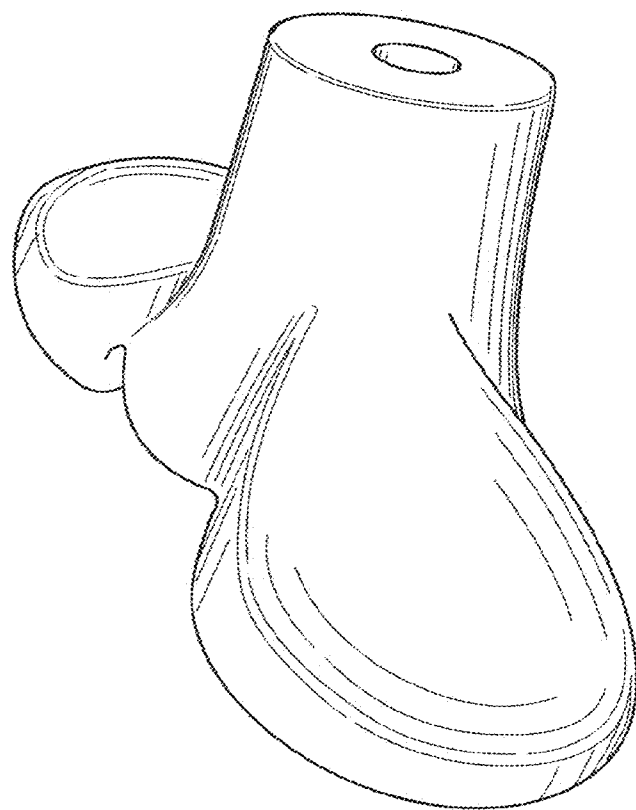


FIG. 6



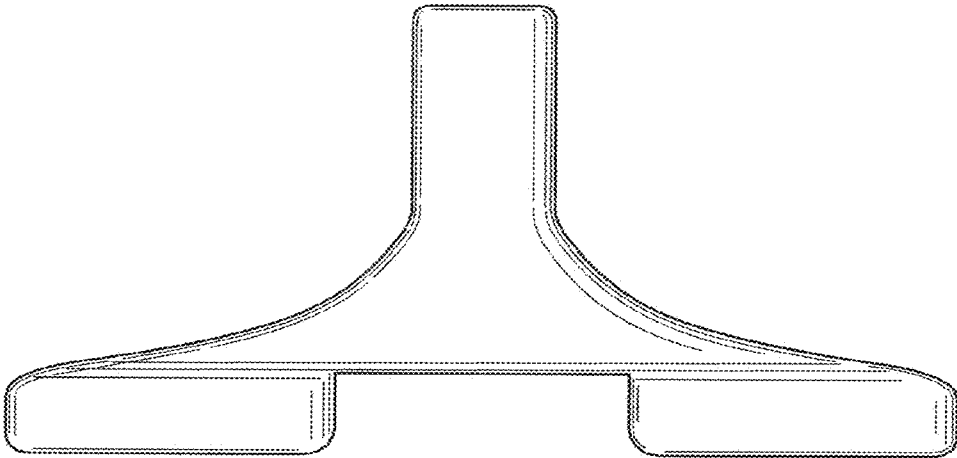


FIG. 7

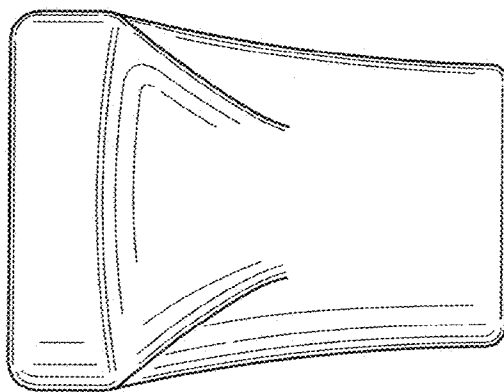


FIG. 8

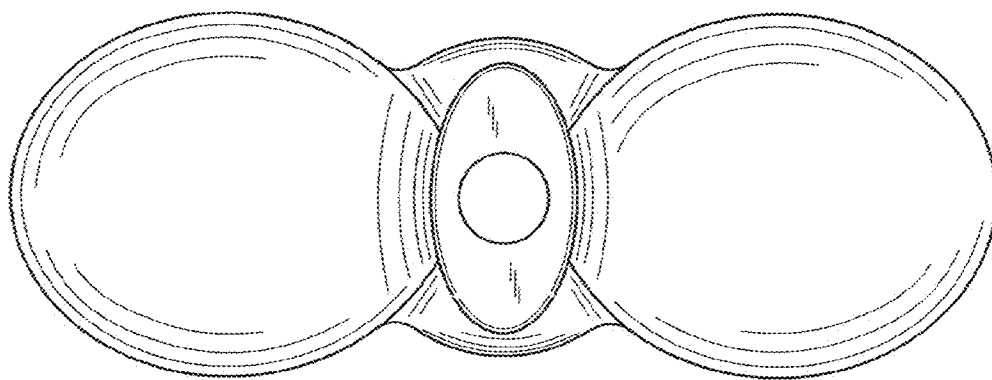


FIG. 9