



US00D747307S

(12) **United States Design Patent**
Moos et al.

(10) **Patent No.:** **US D747,307 S**

(45) **Date of Patent:** **** Jan. 12, 2016**

(54) **COMPUTER TERMINAL FOR IMMERSIVE AIR TRAFFIC CONTROLLER WORKING POSITION**

(71) Applicant: **Thales Air Systems SAS**, Rungis (FR)

(72) Inventors: **Sylvain Moos**, Paris (FR); **Areski Hadjaz**, Montigny le Bretonneux (FR); **Yann Le Bars**, Paris (FR); **Cyril Layes**, Plaisir (FR)

(**) Term: **14 Years**

(21) Appl. No.: **29/501,204**

(22) Filed: **Sep. 2, 2014**

(30) **Foreign Application Priority Data**

Mar. 3, 2014 (EM) 002416016-0001

(51) **LOC (10) Cl.** **14-02**

(52) **U.S. Cl.**
USPC **D14/306**

(58) **Field of Classification Search**

USPC D14/304-307; D13/163; D12/319; D6/641, 642, 664
CPC A47B 21/00; A47B 21/06; A47B 13/08; A47B 35/00; A47B 21/0314; A47B 17/003; A47B 83/001

See application file for complete search history.

(56) **References Cited**

U.S. PATENT DOCUMENTS

4,113,331 A * 9/1978 Derdzinski A47B 17/003
211/134
5,416,666 A * 5/1995 Maguire, Jr. A47B 21/00
108/50.01
D374,432 S * 10/1996 Maquire, Jr. D14/127

(Continued)

Primary Examiner — Freda S Nunn

(74) *Attorney, Agent, or Firm* — John C. Laurence; David D. Rodrigues

(57) **CLAIM**

The ornamental design for a computer terminal for immersive air traffic controller working position, as shown and described.

DESCRIPTION

FIG. 1 is a perspective view of a computer terminal for immersive air traffic controller working position showing our new design;

FIG. 2 is a front view;

FIG. 3 is a rear view;

FIG. 4 is a left side view;

FIG. 5 is a right side view;

FIG. 6 is a top view;

FIG. 7 is a bottom view;

FIG. 8 is another perspective view thereof showing two terminals positioned side by side;

FIG. 9 is a front view;

FIG. 10 is a rear view;

FIG. 11 is a left side view;

FIG. 12 is a right side view;

FIG. 13 is a top view;

FIG. 14 is a bottom view;

FIG. 15 is another perspective view thereof showing a single terminal with a cover opened and a tray being pulled out;

FIG. 16 is a front view;

FIG. 17 is a rear view;

FIG. 18 is a left side view;

FIG. 19 is a right side view;

FIG. 20 is a top view;

FIG. 21 is a bottom view;

FIG. 22 is another perspective view thereof showing a cover opened and a tray in the closed position;

FIG. 23 is a front view;

FIG. 24 is a rear view;

FIG. 25 is a left side view;

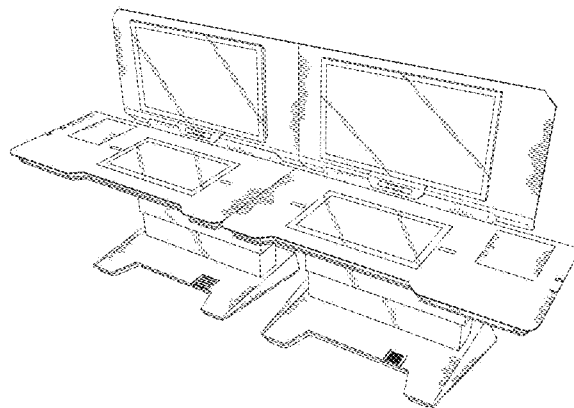
FIG. 26 is a right side view;

FIG. 27 is a top view; and,

FIG. 28 is a bottom view.

Broken lines shown in the drawings illustrate portions of the computer terminal for immersive air traffic controller working position, and form no part of the claimed design.

1 Claim, 21 Drawing Sheets



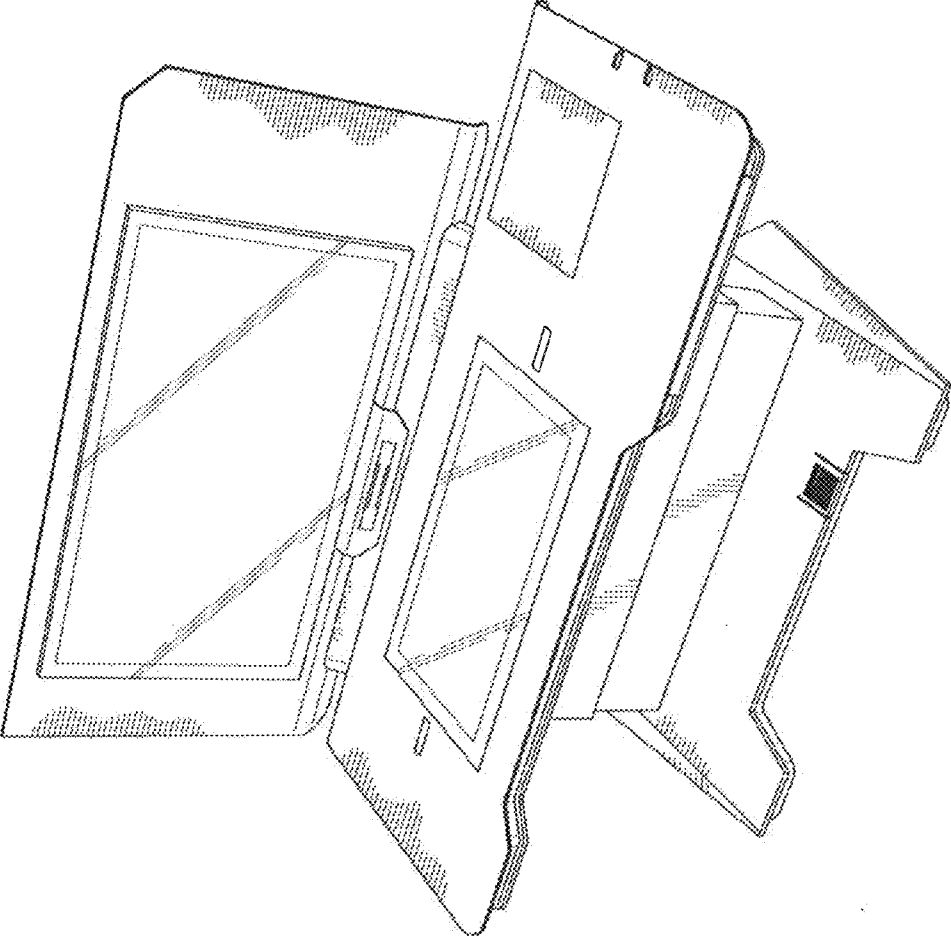


FIG. 1

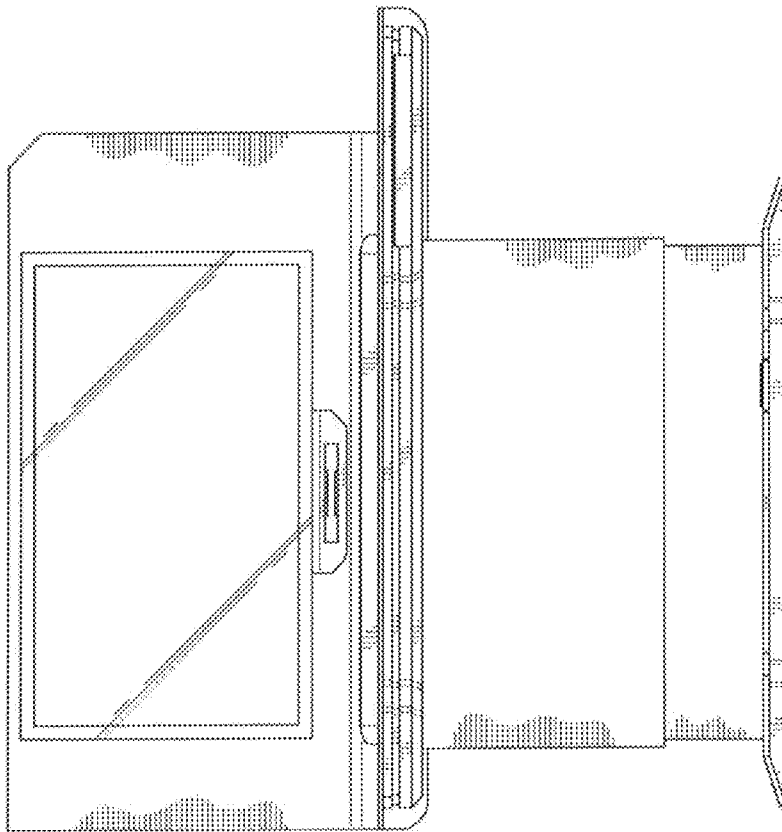


FIG. 2

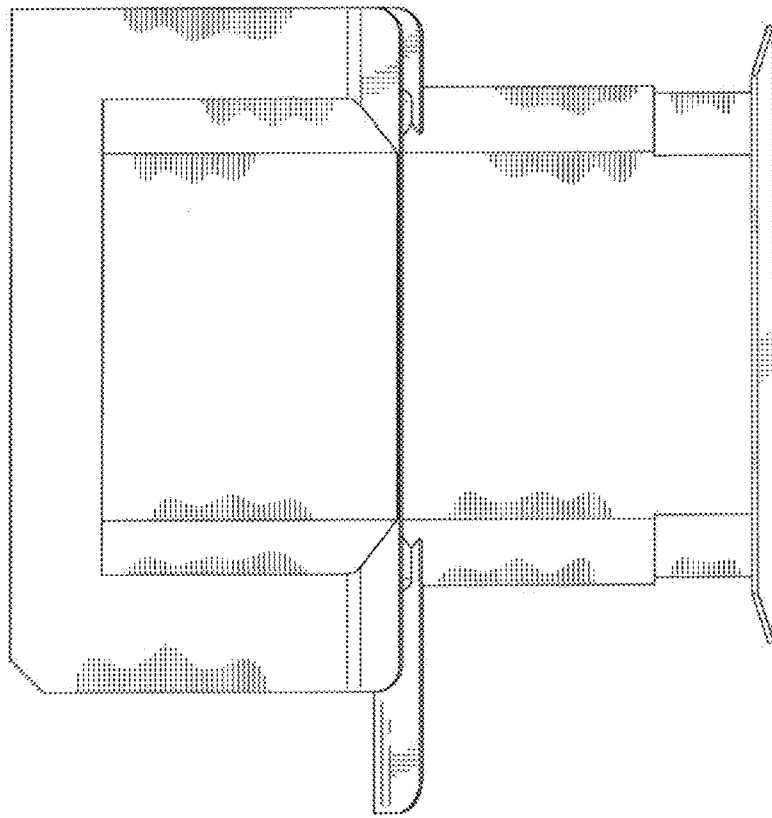


FIG. 3

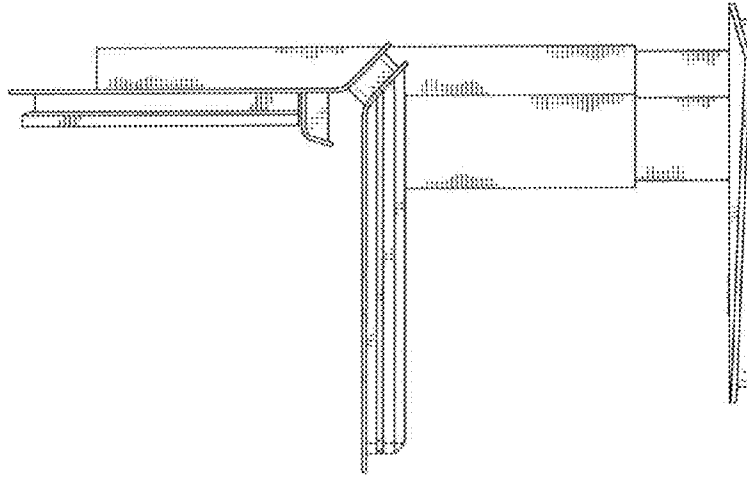


FIG. 5

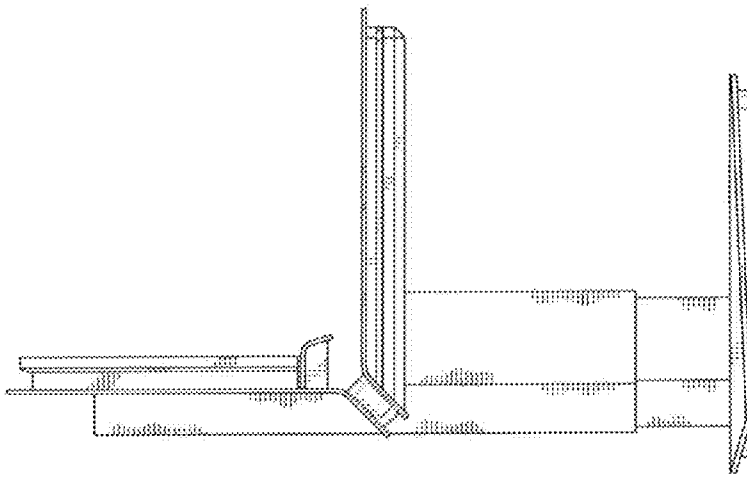


FIG. 4

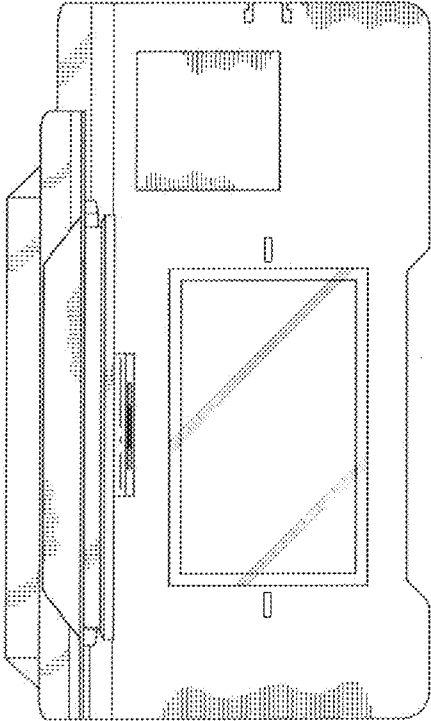


FIG. 6

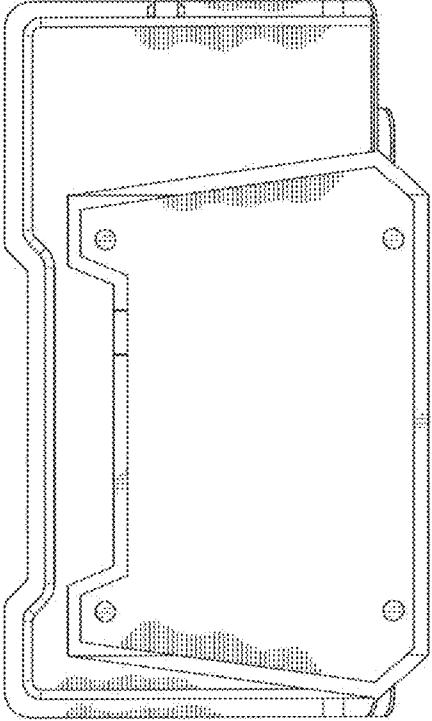


FIG. 7

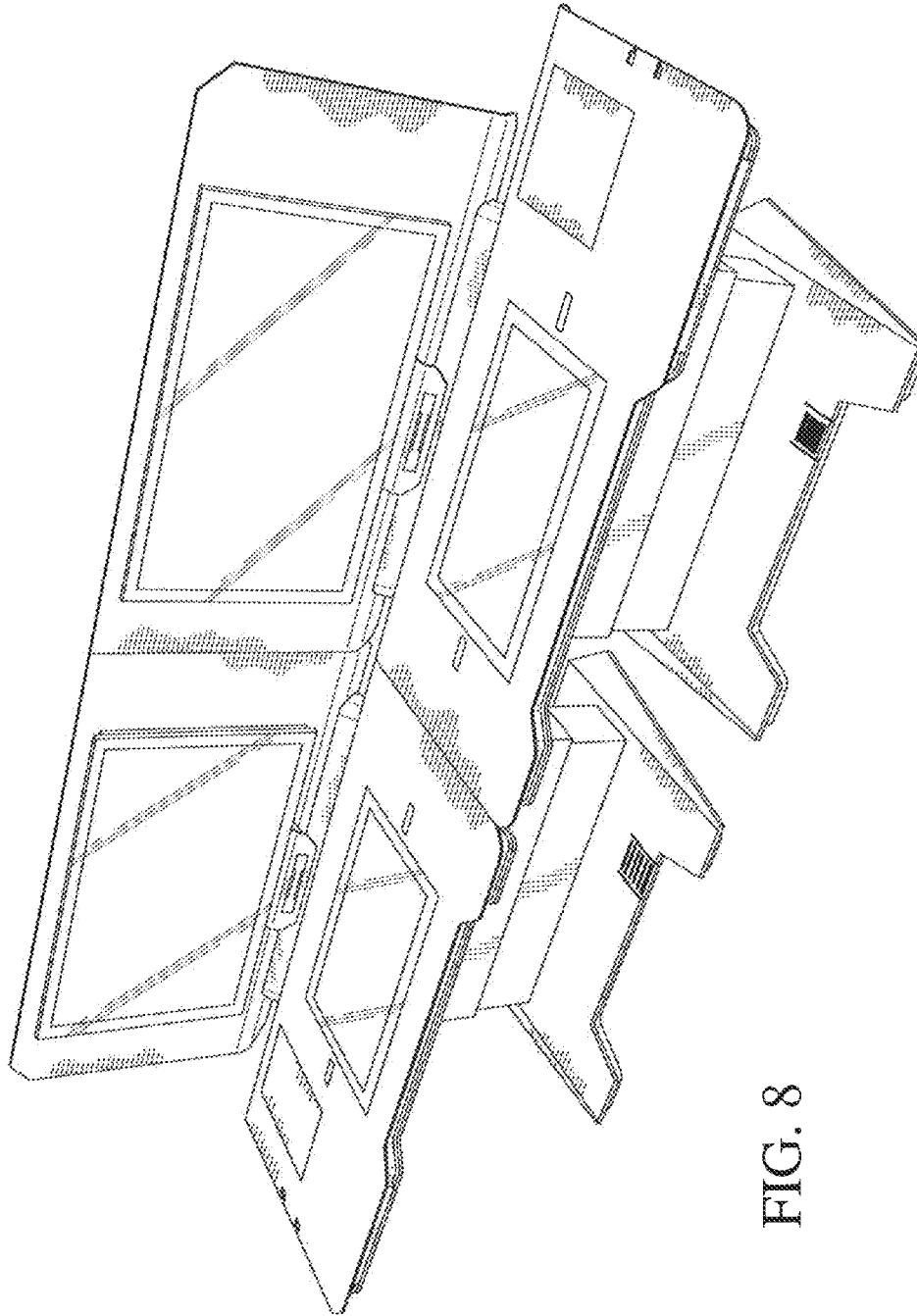


FIG. 8

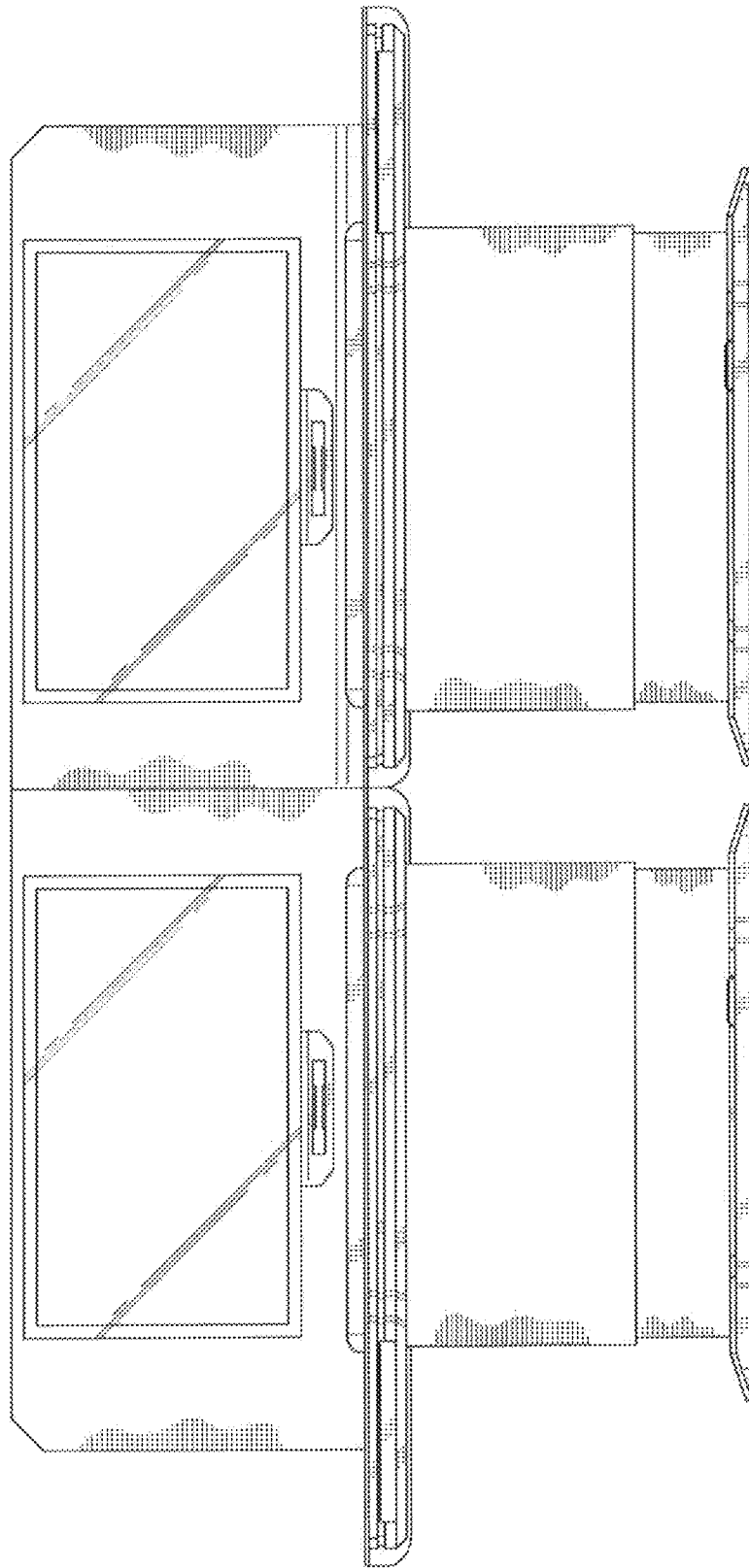


FIG. 9

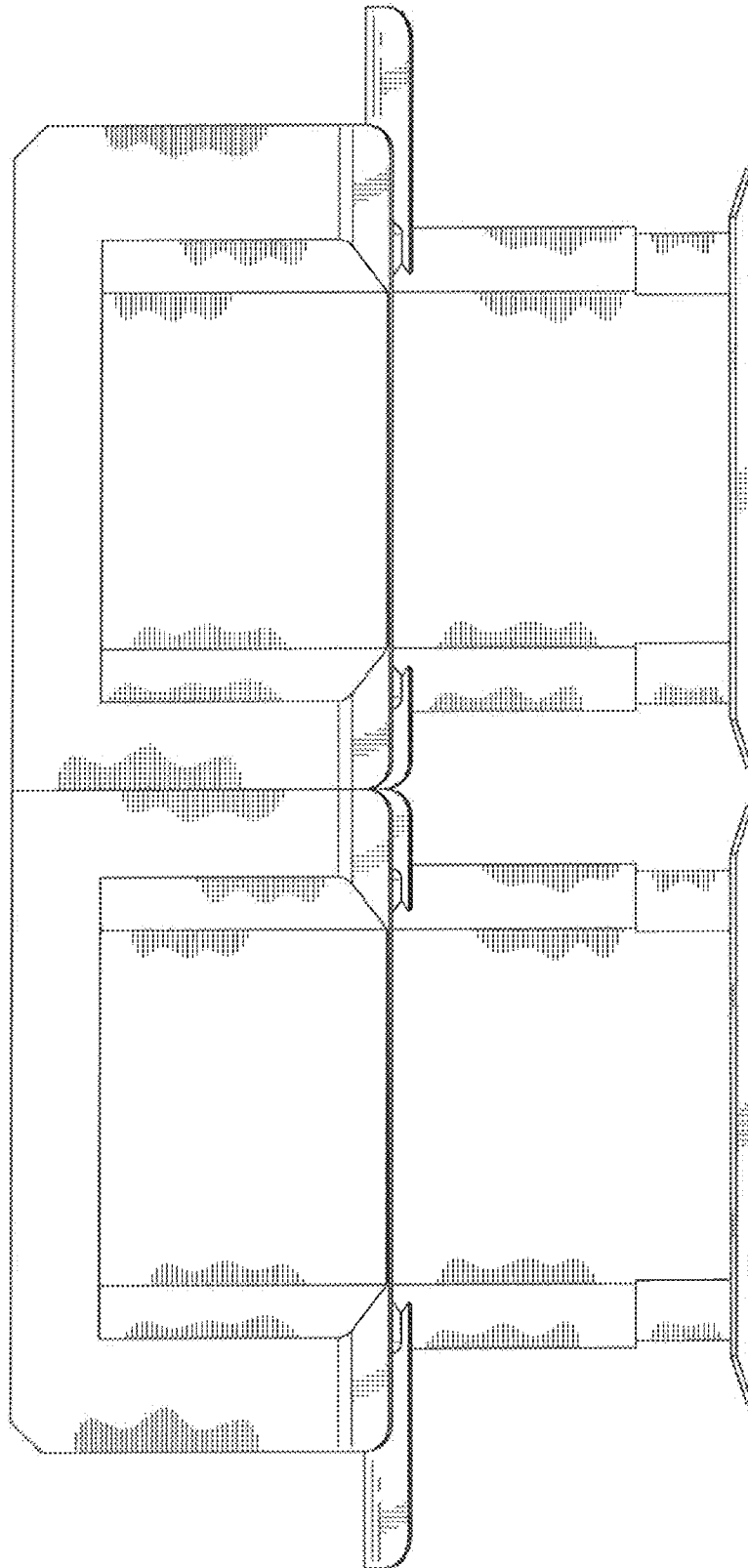


FIG. 10

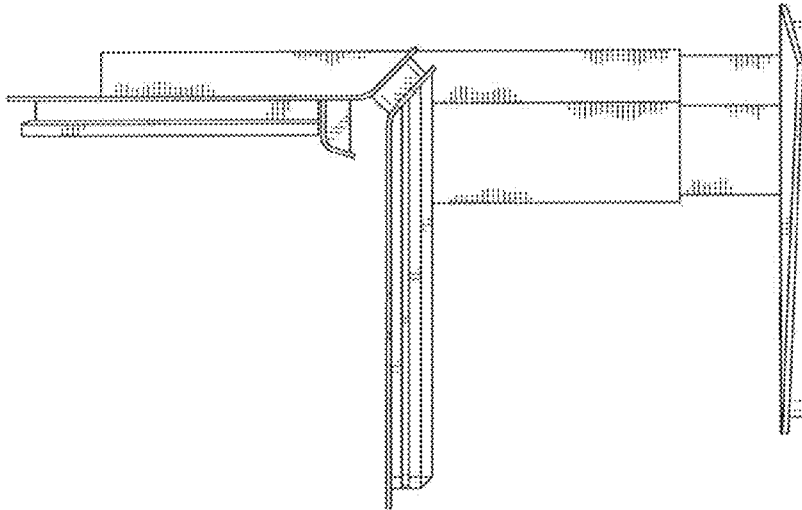


FIG. 11

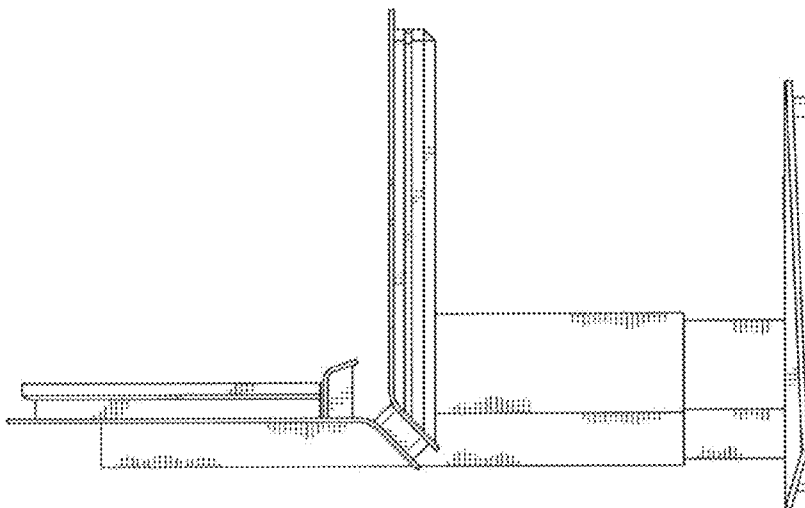


FIG. 12

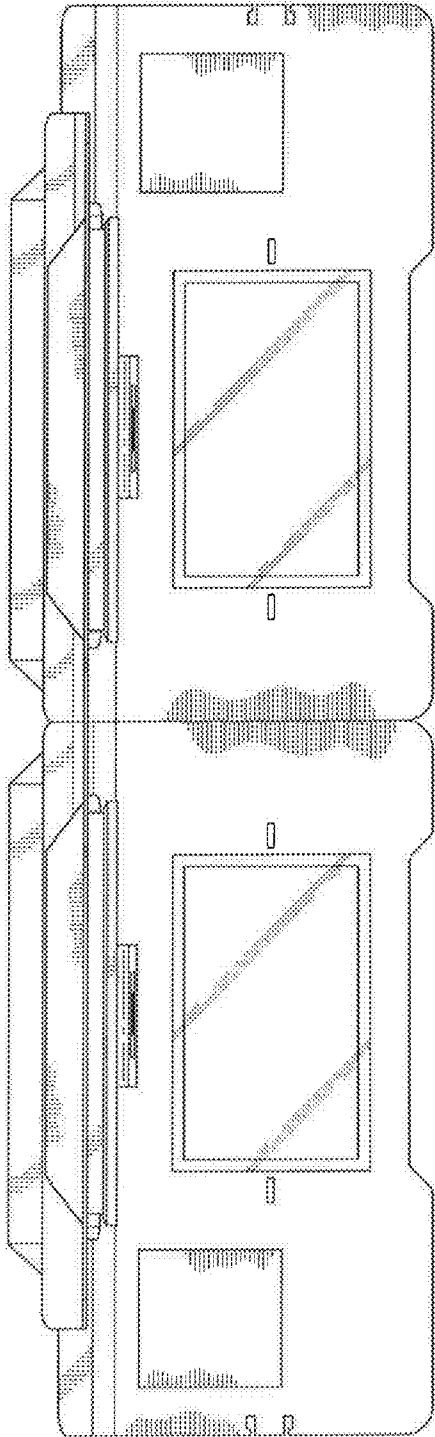


FIG. 13

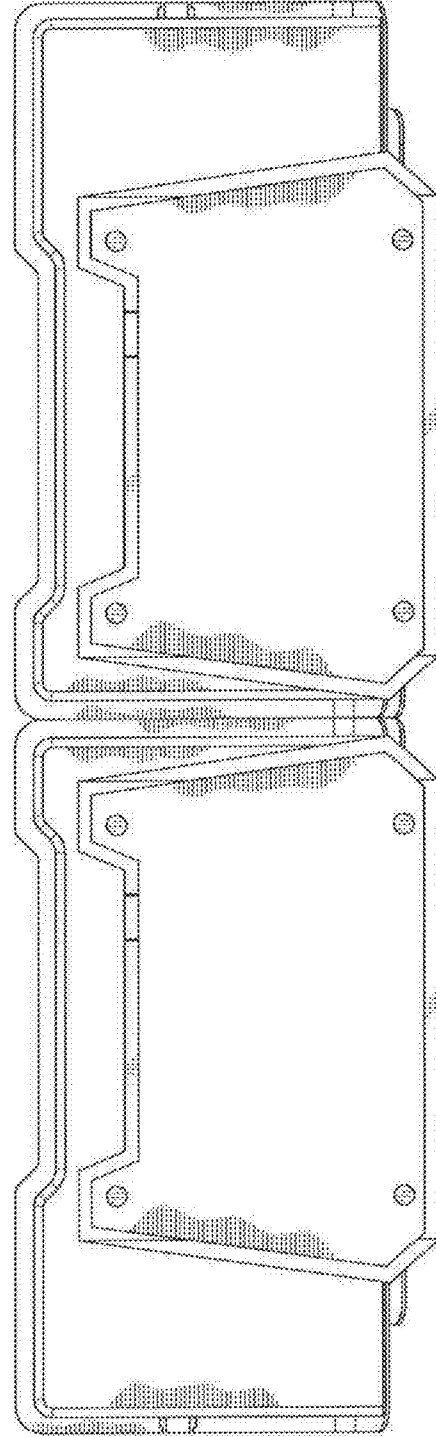


FIG. 14

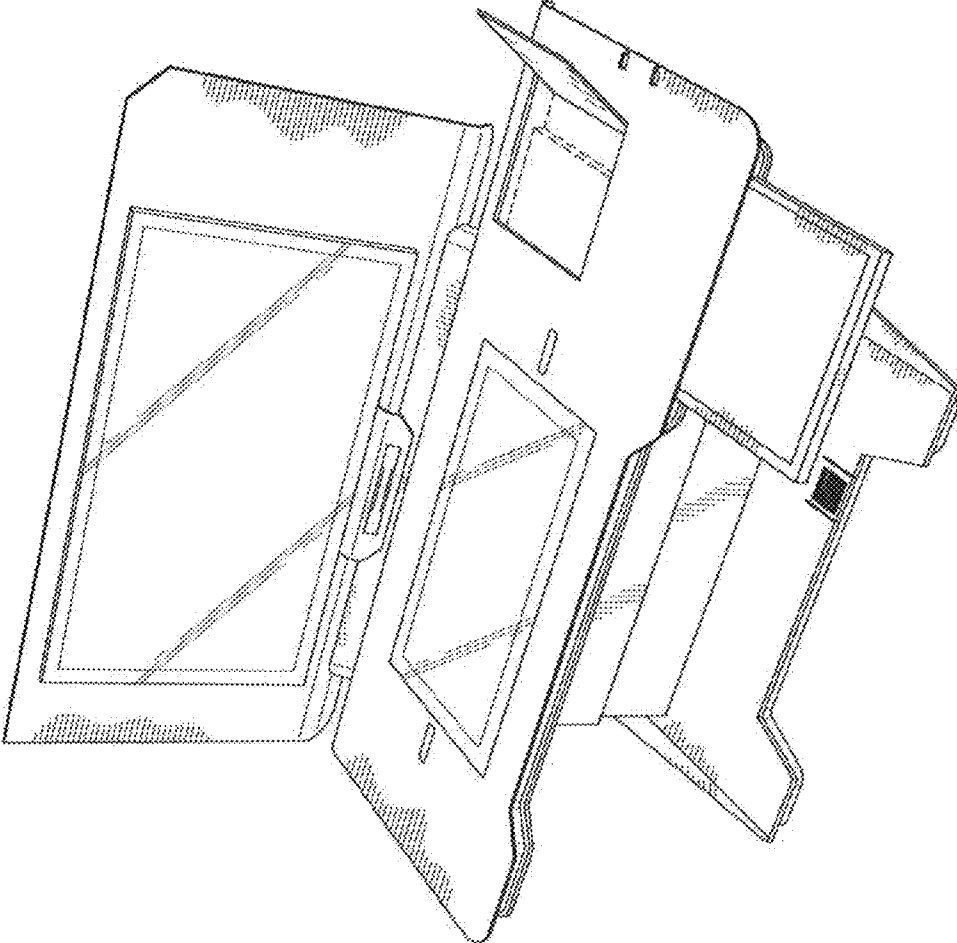


FIG. 15

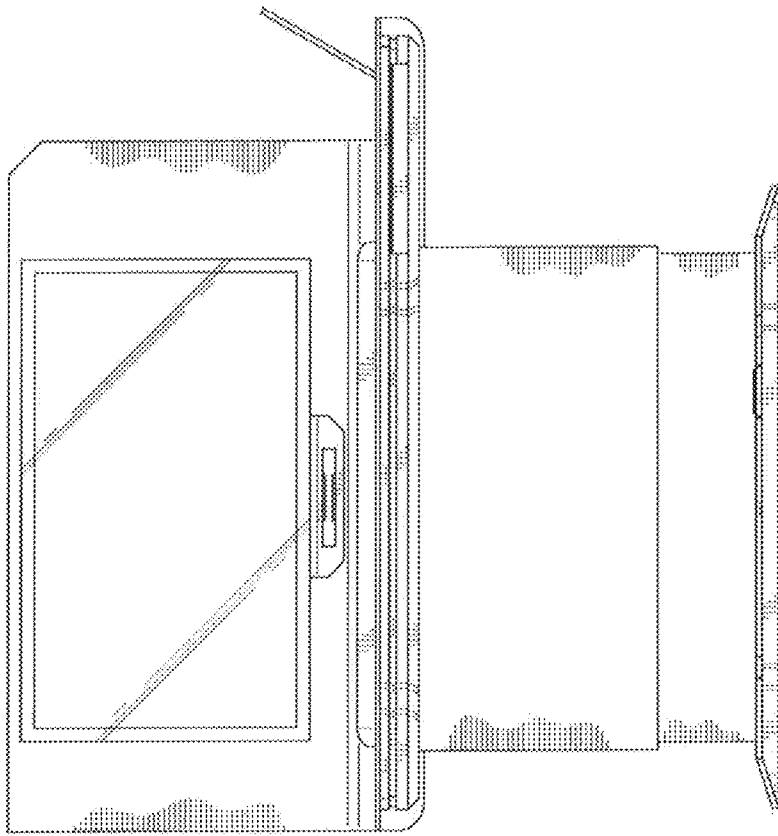


FIG. 16

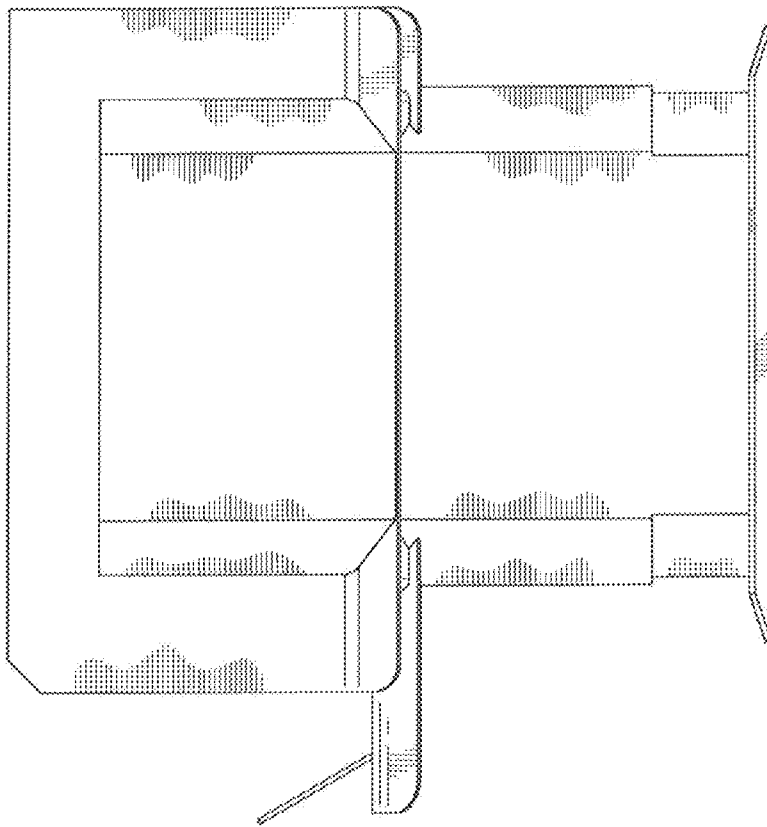


FIG. 17

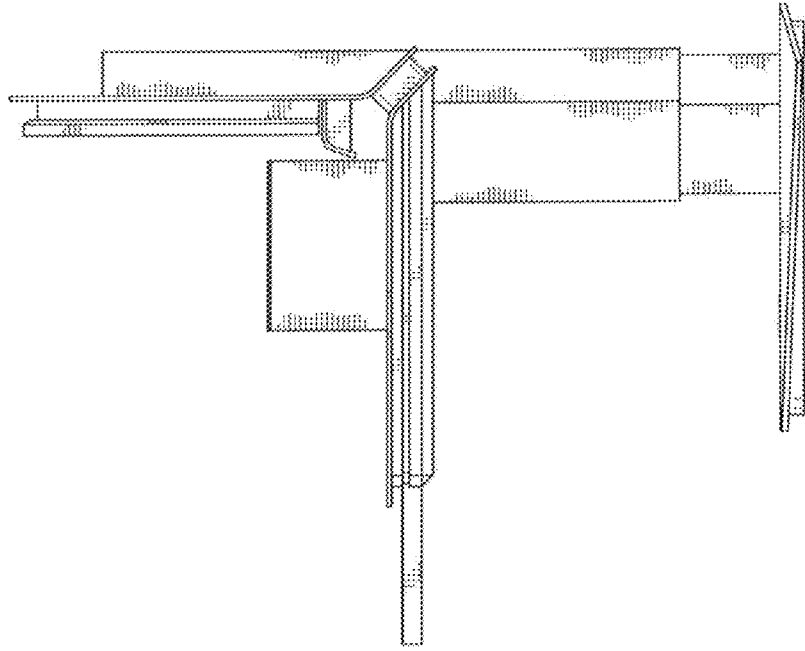


FIG. 19

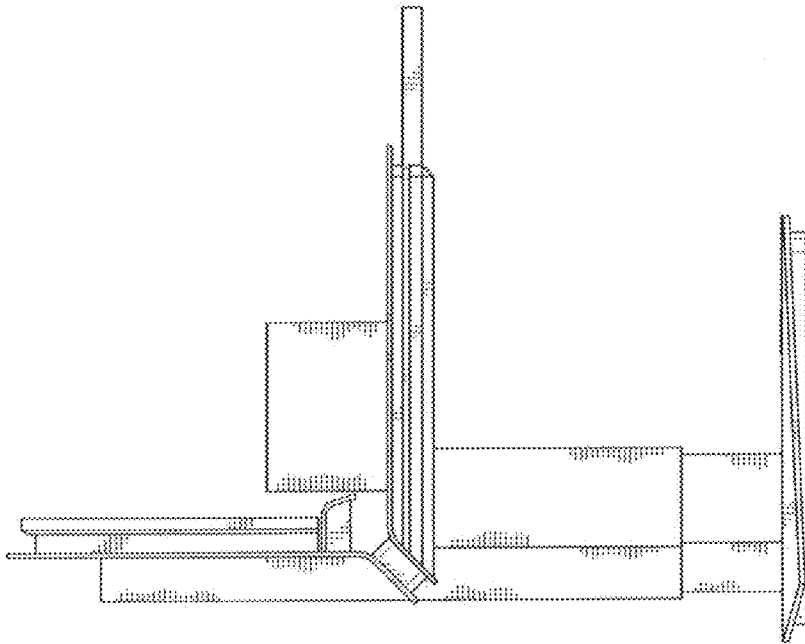


FIG. 18

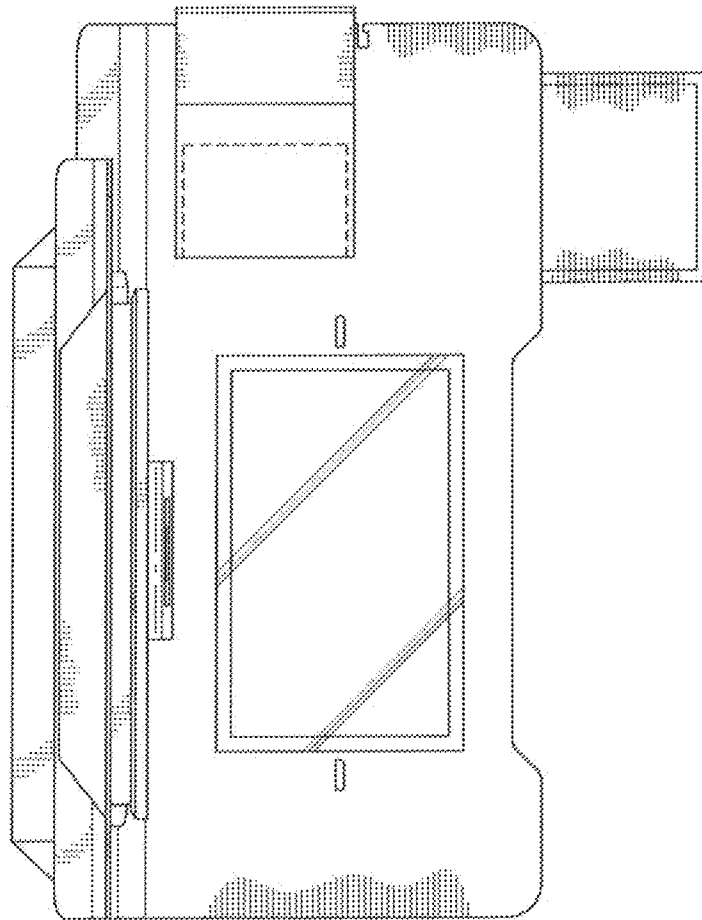


FIG. 20

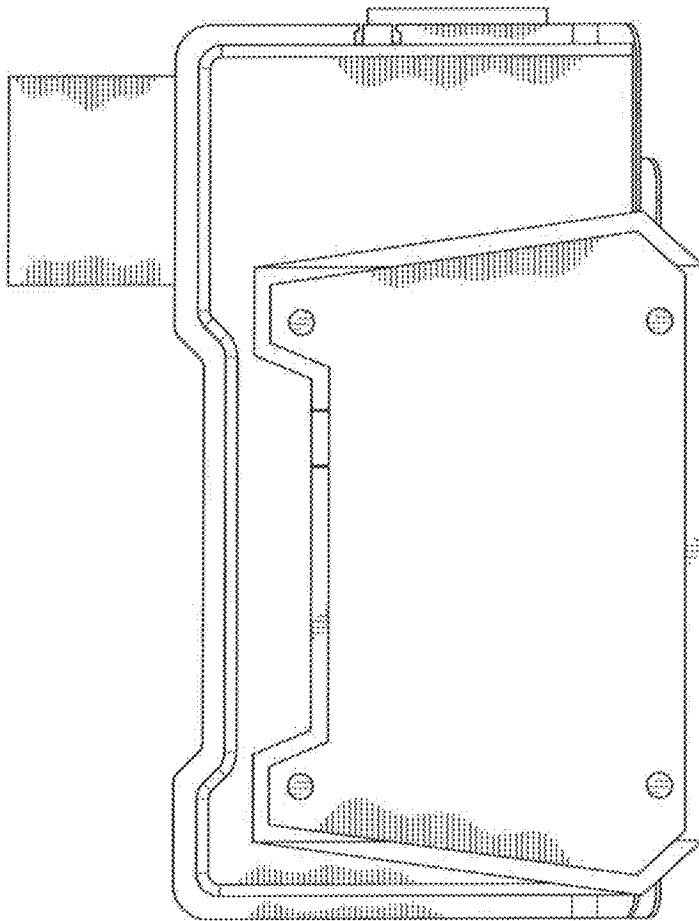


FIG. 21

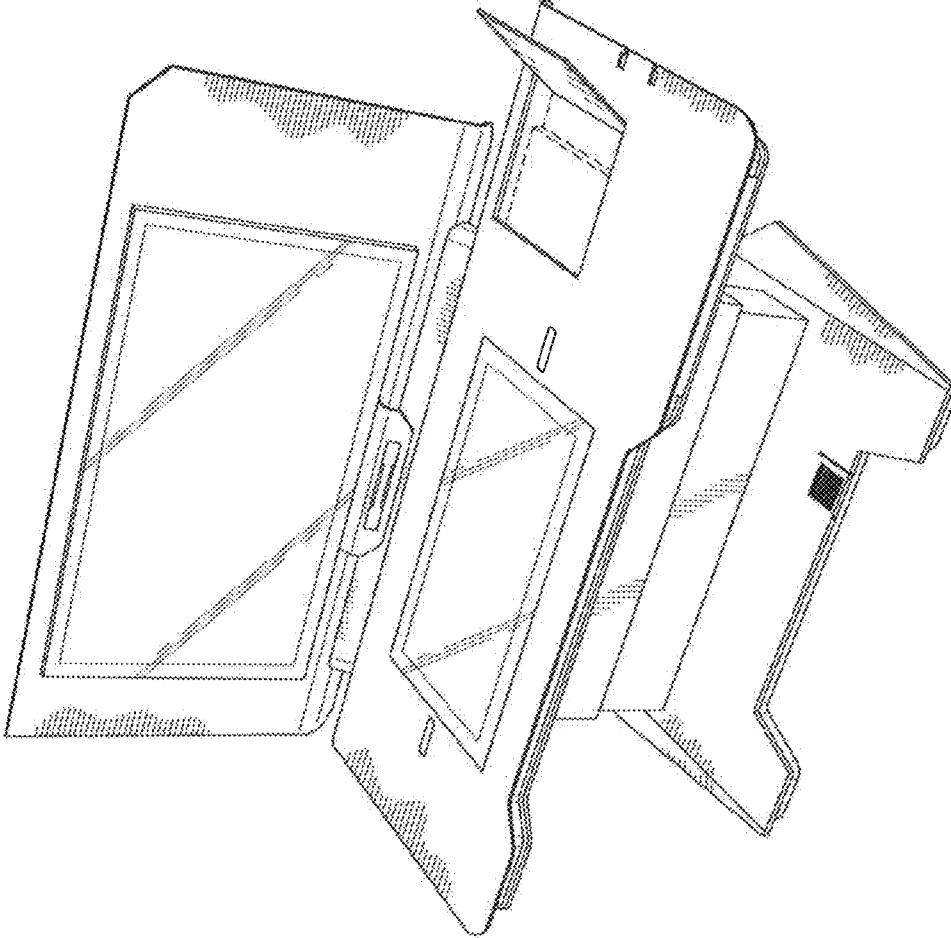


FIG. 22

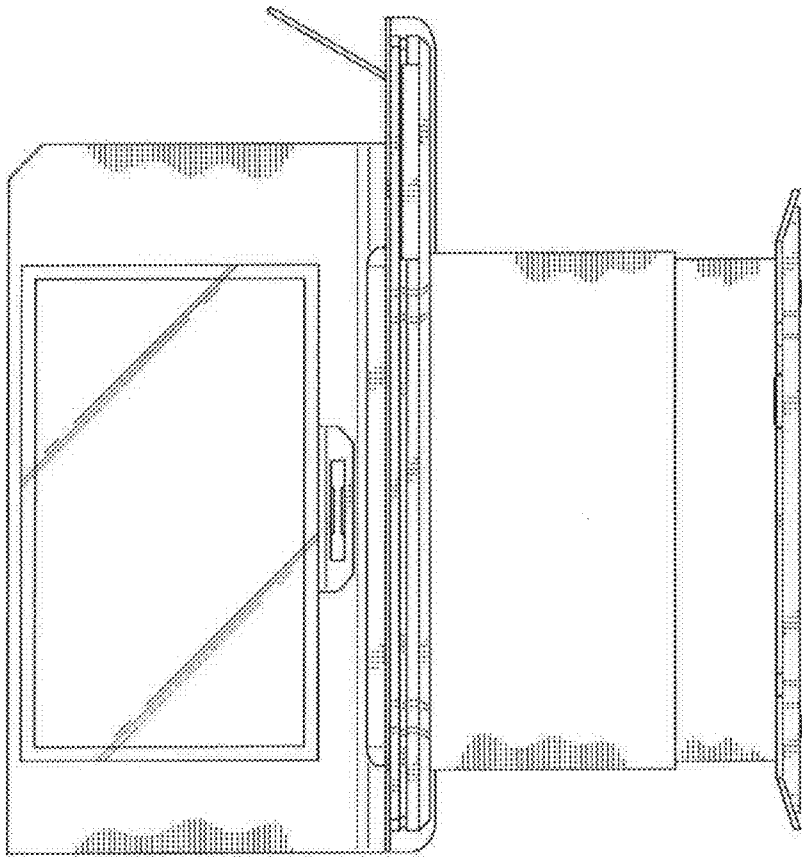


FIG. 23

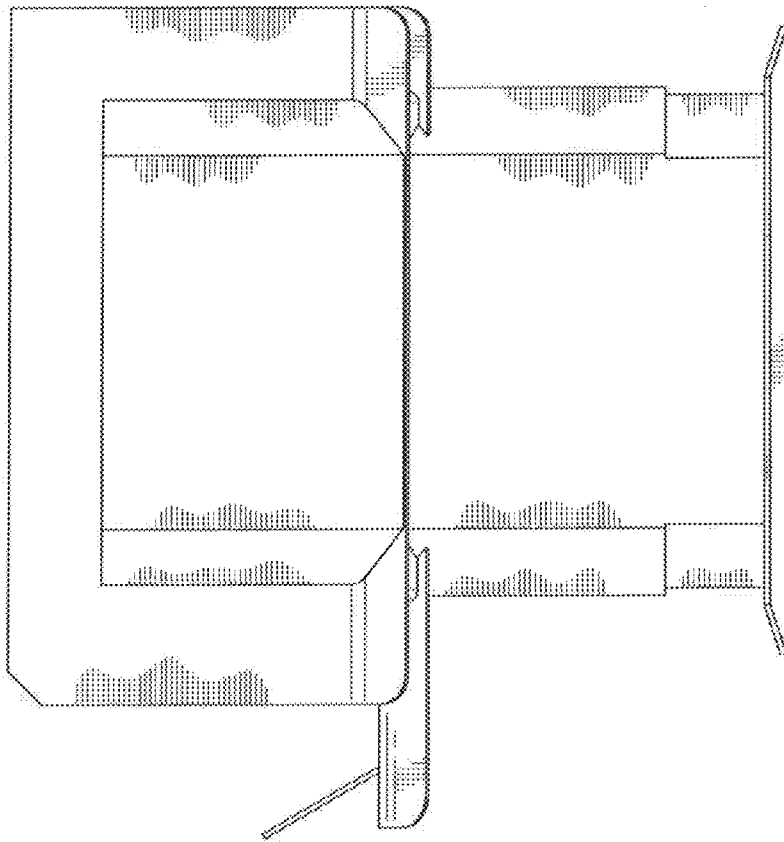


FIG. 24

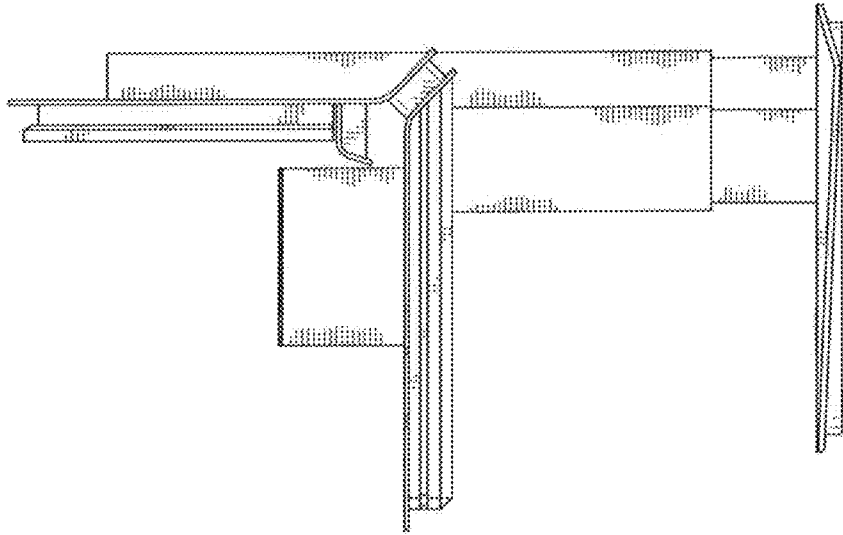


FIG. 26

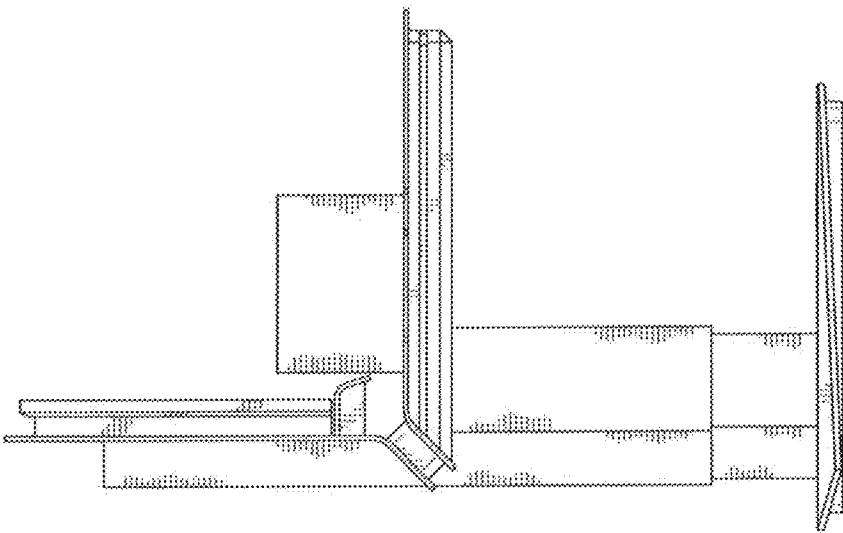


FIG. 25

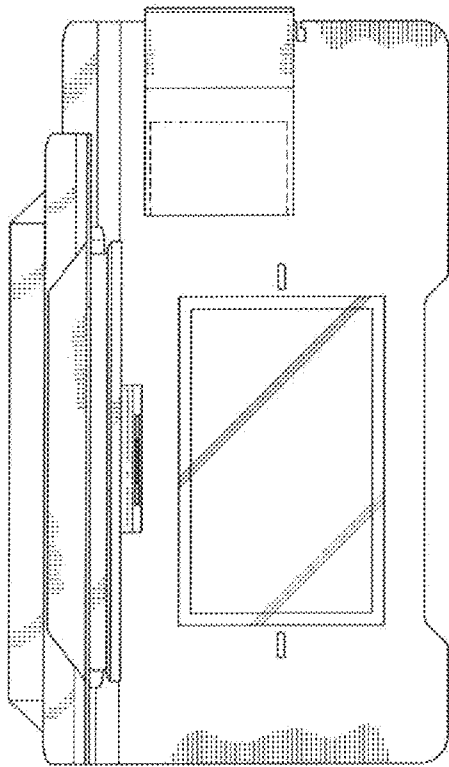


FIG. 27

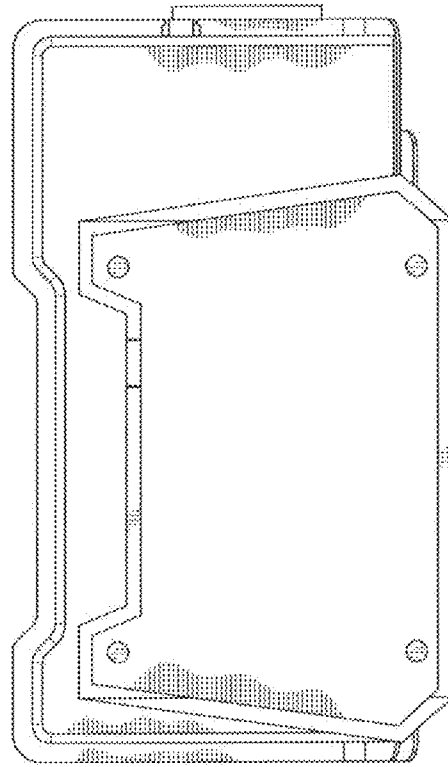


FIG. 28