



US0D1004745S

(12) **United States Design Patent**
Kawamura

(10) **Patent No.:** **US D1,004,745 S**

(45) **Date of Patent:** **** Nov. 14, 2023**

(54) **SHOWER HEAD**

(71) Applicant: **Mitsuhiro Kawamura**, Tokyo (JP)

(72) Inventor: **Mitsuhiro Kawamura**, Tokyo (JP)

(**) Term: **15 Years**

(21) Appl. No.: **29/801,694**

(22) Filed: **Jul. 30, 2021**

(30) **Foreign Application Priority Data**

Feb. 1, 2021 (JP) 2021-002127 D

(51) **LOC (14) Cl.** **23-01**

(52) **U.S. Cl.**
USPC **D23/213**

(58) **Field of Classification Search**
USPC D23/213, 214, 222–230, 238–242
CPC B05B 1/18; B05B 1/185
See application file for complete search history.

(56) **References Cited**

U.S. PATENT DOCUMENTS

D503,463 S * 3/2005 Hughes D23/213
D515,661 S * 2/2006 Hughes D23/213
D527,790 S * 9/2006 Hughes D23/213

D604,392 S * 11/2009 Schoenherr D23/223
D633,174 S * 2/2011 Lee D23/213
D656,219 S * 3/2012 Su D23/223
D912,767 S * 3/2021 Ladwig D23/223
11,636,743 B1 * 4/2023 Brown G08B 5/36
340/539.18
2012/0266376 A1 * 10/2012 Marty B05B 15/652
4/615

* cited by examiner

Primary Examiner — Janice Hallmark
Assistant Examiner — Adedoyin Taiwo Odeyale
(74) *Attorney, Agent, or Firm* — Muncy, Geissler, Olds & Lowe, P.C.

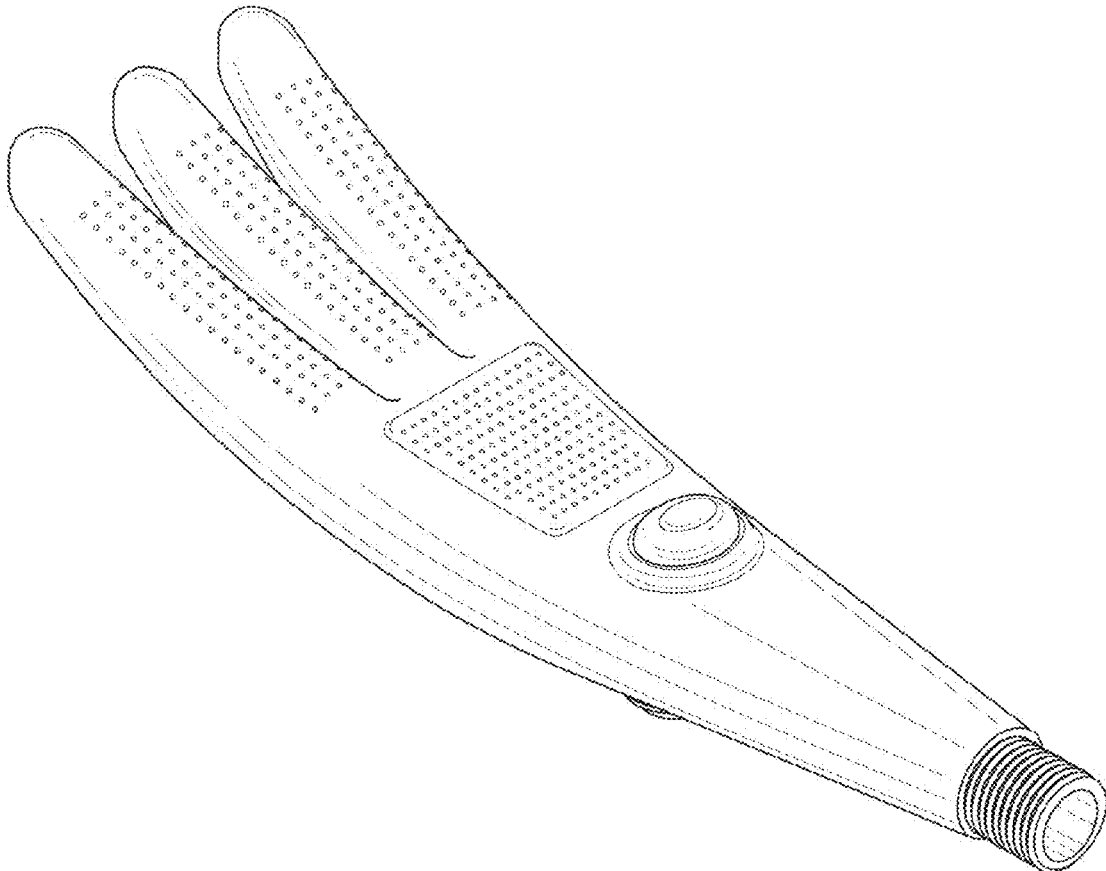
(57) **CLAIM**

The ornamental design for a shower head, as shown and described.

DESCRIPTION

FIG. 1 is a perspective view of a shower head showing my new design;
FIG. 2 is a front view thereof;
FIG. 3 is a rear view thereof;
FIG. 4 is a top plan view thereof;
FIG. 5 is a bottom plan view thereof;
FIG. 6 is a left side view thereof; and,
FIG. 7 is a right side view thereof.
Broken lines illustrate portions of the shower head that form no part of the claimed design.

1 Claim, 4 Drawing Sheets



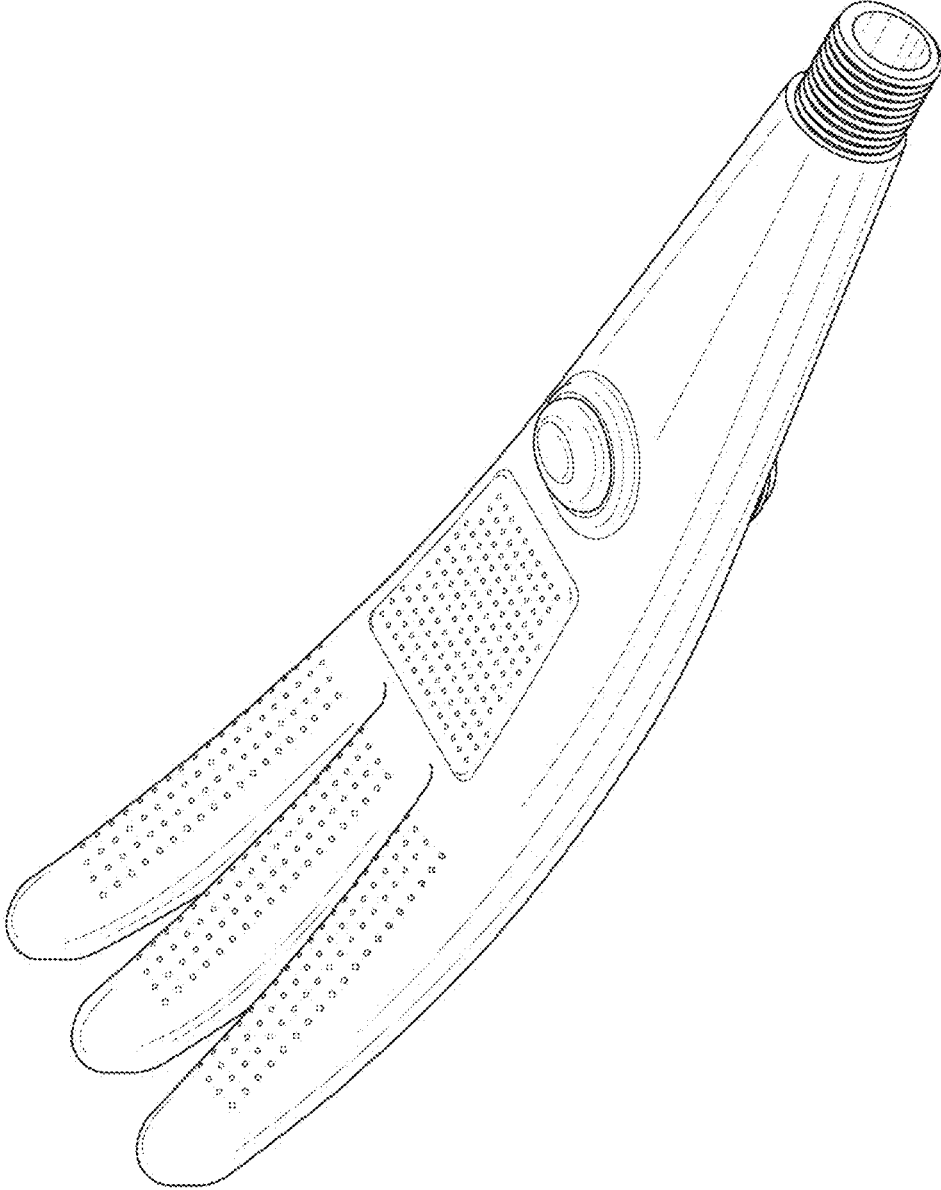


Fig. 1

Fig. 2

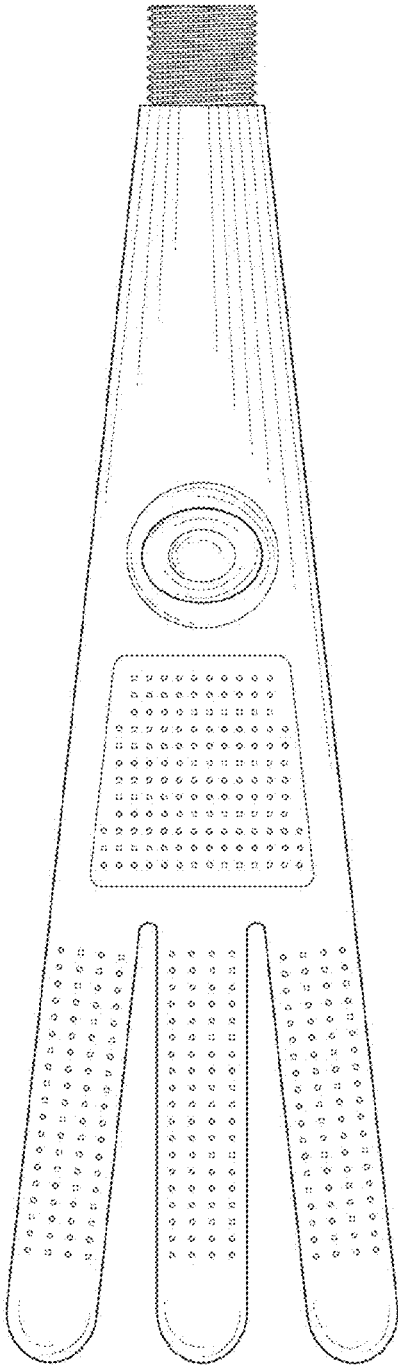
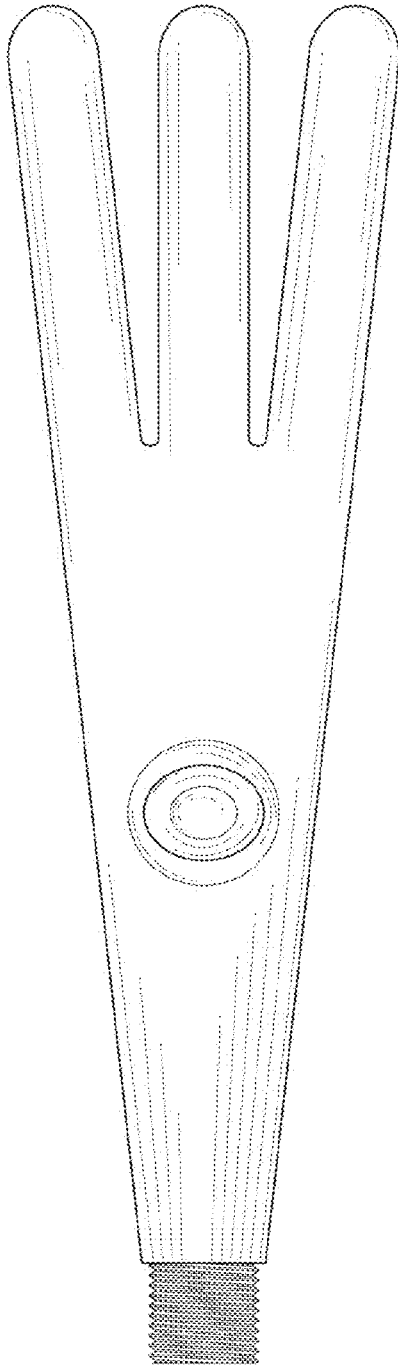


Fig. 3



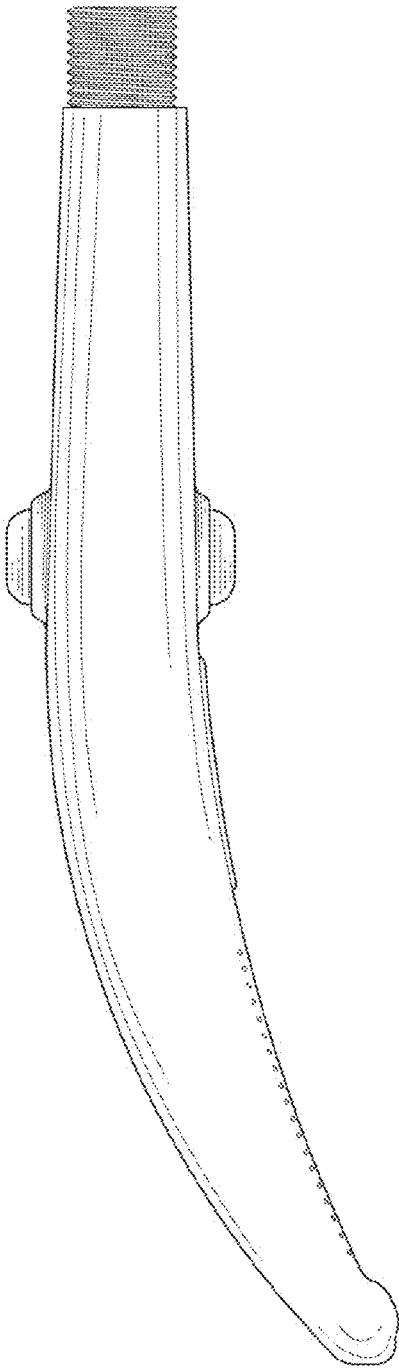


Fig. 4

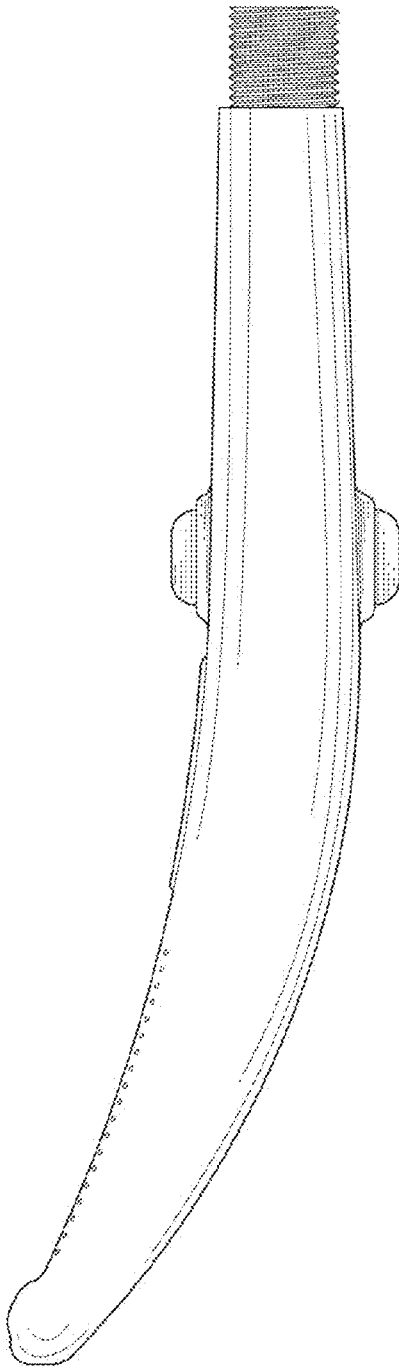


Fig. 5

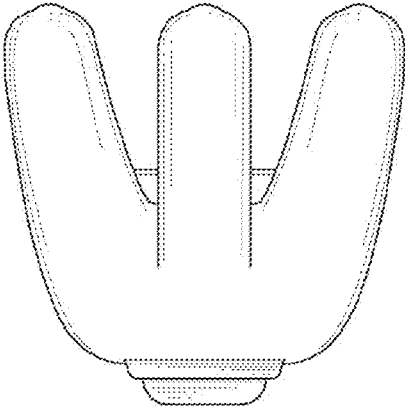


Fig. 6

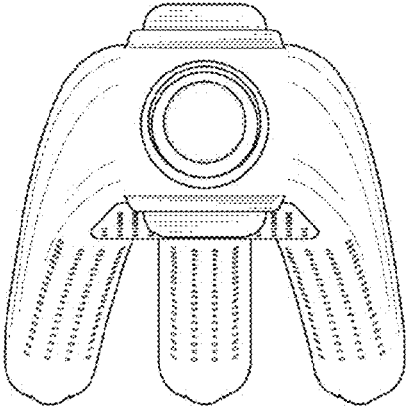


Fig. 7