

(19) World Intellectual Property Organization
International Bureau



(43) International Publication Date
8 March 2007 (08.03.2007)

PCT

(10) International Publication Number
WO 2007/027014 A1

(51) International Patent Classification:
H04N 7/167 (2006.01)

Daechi 4-dong, Gangnam-gu, Seoul 135-840 (KR). **NAM, Su-Hyun**; (102), 435-26 Bangbae 2-dong, Seocho-gu, Seoul 137-817 (KR).

(21) International Application Number:

PCT/KR2006/002827

(74) Agent: **Y.P.LEE, MOCK & PARTNERS**; Koryo Building, 1575-1 Seocho-dong, Seocho-gu, Seoul 137-875 (KR).

(22) International Filing Date: 19 July 2006 (19.07.2006)

(25) Filing Language: English

(26) Publication Language: English

(30) Priority Data:

60/700,336	19 July 2005 (19.07.2005)	US
60/701,493	22 July 2005 (22.07.2005)	US
60/703,003	28 July 2005 (28.07.2005)	US
10-2006-0065179	12 July 2006 (12.07.2006)	KR

(81) Designated States (unless otherwise indicated, for every kind of national protection available): AE, AG, AL, AM, AT, AU, AZ, BA, BB, BG, BR, BW, BY, BZ, CA, CH, CN, CO, CR, CU, CZ, DE, DK, DM, DZ, EC, EE, EG, ES, FI, GB, GD, GE, GH, GM, HN, HR, HU, ID, IL, IN, IS, JP, KE, KG, KM, KN, KP, KZ, LA, LC, LK, LR, LS, LT, LU, LV, LY, MA, MD, MG, MK, MN, MW, MX, MZ, NA, NG, NI, NO, NZ, OM, PG, PH, PL, PT, RO, RS, RU, SC, SD, SE, SG, SK, SL, SM, SY, TJ, TM, TN, TR, TT, TZ, UA, UG, UZ, VC, VN, ZA, ZM, ZW.

(71) Applicant: **SAMSUNG ELECTRONICS CO., LTD.** [KR/KR]; 416, Maetan-dong, Yeungtong-gu, Suwon-si, Gyeonggi-do 442-742 (KR).

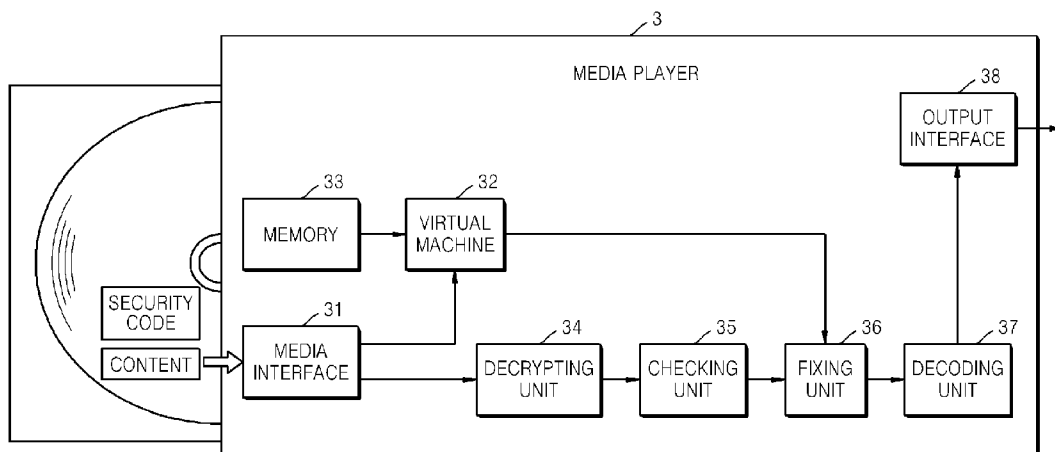
(84) Designated States (unless otherwise indicated, for every kind of regional protection available): ARIPO (BW, GH, GM, KE, LS, MW, MZ, NA, SD, SL, SZ, TZ, UG, ZM, ZW), Eurasian (AM, AZ, BY, KG, KZ, MD, RU, TJ, TM), European (AT, BE, BG, CH, CY, CZ, DE, DK, EE, ES, FI, FR, GB, GR, HU, IE, IS, IT, LT, LU, LV, MC, NL, PL, PT, RO, SE, SI, SK, TR), OAPI (BF, BJ, CF, CG, CI, CM, GA, GN, GQ, GW, ML, MR, NE, SN, TD, TG).

(72) Inventors: **YOU, Yong-Kuk**; 115-206 Doosan Apt., Geumho-dong 3-ga, Seongdong-gu, Seoul 133-751 (KR). **CHUNG, Hyun-Kwon**; 103-905 Hangang Town Apt., Gayang-dong, Gangseo-gu, Seoul 157-752 (KR). **SHIN, Jun-Bum**; 104-104 Chowon Apt., Pyeongan-dong, Dongan-gu, Anyang-si, Gyeonggi-do 431-075 (KR). **CHOI, Yun-Ho**; 1601 Teheran Daewoo I'vill, 891-6

Published:
— with international search report

[Continued on next page]

(54) Title: METHOD AND APPARATUS FOR EFFICIENTLY FIXING TRANSFORMED PART OF CONTENT



(57) Abstract: Provided are a method and apparatus for effectively fixing scrambled content. The method includes checking fixing information for a program map table (PMT) packet of packets constituting the content, the fixing information being used to fix a transformed part of the content; extracting location information of a next PMT packet containing fixing data for fixing the transformed part of the content from the fixing information of the PMT packet; and fixing the transformed part of the content by using the fixing data in the next PMT packet indicated by the extracted location information. Accordingly, it is possible to easily detect a location of the content, which stores the fixing information, thereby expediting fixing of the transformed content.

WO 2007/027014 A1



For two-letter codes and other abbreviations, refer to the "Guidance Notes on Codes and Abbreviations" appearing at the beginning of each regular issue of the PCT Gazette.

Description

METHOD AND APPARATUS FOR EFFICIENTLY FIXING TRANSFORMED PART OF CONTENT

Technical Field

- [1] Methods and apparatuses consistent with the present invention relate to restoring content, and more particularly, an aspect of the invention relates to a method and apparatus for effectively fixing up a transform part of content.

Background Art

- [2] The standard for the AACMS (Advanced Access Content System), which is a next-generation optical disc protection system, uses a broadcast encryption scheme that does not allow a player having a device key set revoked due to hacking and so on to decrypt content encrypted according to the broadcast encryption scheme. In the broadcast encryption scheme, a different device key set is allocated to each player, and an intermediate key encrypted using a revoked device key set is not stored in discs that are distributed to the public, thereby preventing a player having the revoked device key set from acquiring the intermediate key. Thus, the player having the revoked device key set cannot obtain a content decryption key.
- [3] However, even if a device key set is not disclosed, hacking software may be created based on structural flaws of a specific player model. In this case, a large number of players may be hacked by the hacking software, and thus, it is impossible to revoke all device key sets allocated to the hacked players in order to cope with this situation.
- [4] To solve this problem, an individual content renewability scheme has been introduced to control restoration of content by using programmable code for each content. In the renewability scheme, security code controlling restoration of content is stored in a disc. The security code is executed before reproduction of the content so as to determine whether there are problems in reproducing the content. For instance, it is determined whether a device key set of the player has been disclosed or whether hacking software is installed or is running. Then, the content is restored only when it is determined that there is no problem in the content reproduction process. In other words, it is difficult to upgrade an already sold player, but a disc can be upgraded at a content level by storing the security code thereon.
- [5] FIG. 1 is a block diagram of a conventional media player 1. Referring to FIG. 1, the conventional media player 1 includes a media interface 11, a virtual machine 12, a memory 13, a decrypting/decoding unit 14, and an output interface 15.
- [6] The media interface 11 reads content and security code, which is a program protecting the content, from a medium, such as a digital video disk (DVD) and a

compact disk (CD).

[7] The virtual machine 12 executes the security code read by the media interface 11 to generate information of the media player 1, and compares the generated information with information of the media player 1 which has been stored in the memory 13. Next, the virtual machine 12 determines whether a device key set of the media player 1 has been disclosed or hacking software thereof is installed or is running based on the comparison result, and further executes the security code to generate information for controlling content restoration only when it is determined that the device key set of the media player 1 has not been disclosed or the hacking software thereof is not installed or is not running .

[8] The decrypting/decoding unit 14 decrypts and decodes the content, which is read by the media interface 11, by using the information generated by the virtual machine 12. If the content is encrypted according to content protection standards, such as the CSS standards or the AACS standards, the decrypting/decoding unit 14 decrypts the content read by the media interface 11 according to the content protection standards used to encrypt the content. If the content is coded according to the MPEG-2 standards, the content is decoded according to the MPEG-2 standards.

[9] The output interface 15 outputs the content, which was decrypted and decoded by the decrypting/decoding unit 14, to a display device, such as a digital Television (DTV).

Disclosure of Invention

Technical Problem

[10] As described above, a conventional, individual content renewability scheme provides a solution to control content restoration according to whether a device key set of a media player has been disclosed or whether a security environment for the media player is normal. However, the conventional, individual content renewability scheme does not provide a solution to protect content against frequent attacks of a hacker throughout content reproduction, for example.

Technical Solution

[11] An aspect of the present invention provides an apparatus and method for effectively fixing content that is transformed to be protected against frequent attacks of a hacker throughout content reproduction.

[12] An aspect of the present invention also provides a computer readable medium having recorded thereon a computer program for executing the above method.

Advantageous Effects

[13] According to an aspect of the present invention, information for fixing content that is transformed by scrambling separated parts thereof is stored in a PMT packet in order

to easily detect the location of the information for fixing the content, thereby expediting fixing the transformed parts of the content. In particular, according to the present invention, each PMT packet contains location information of a next PMT packet including fixing data for substantially fixing a transformed part of the content, and thus, it is possible to directly check the fixing data without parsing all PMT packets.

Description of Drawings

- [14] FIG. 1 is a block diagram illustrating a conventional media player;
- [15] FIG. 2 is a diagram illustrating a content protection method according to an embodiment of the present invention;
- [16] FIG. 3 is a block diagram of a media player according to an embodiment of the present invention;
- [17] FIG. 4 is a diagram illustrating a process of checking fixing information according to an embodiment of the present invention; and
- [18] FIGS. 5 and 6 are flowcharts illustrating a method of restoring content according to an embodiment of the present invention.

Best Mode

- [19] According to an aspect of the present invention, there is provided a method of fixing content, the method including checking fixing information for a first packet of packets constituting the content, the fixing information being used to fix a transformed part of the content; extracting location information of a second packet of the packets from the fixing information of the checked first packet, the second packet containing fixing data for fixing the transformed part of the content; and fixing the transformed part of the content by using the fixing data in the second packet indicated by the extracted location information.
- [20] According to another aspect of the present invention, there is provided a computer readable medium having recorded thereon a computer program for executing the above method.
- [21] According to another aspect of the present invention, there is provided an apparatus for fixing content, the apparatus including a checking unit which checks fixing information for a first packet of packets constituting the content, and which extracts location information of a second packet of the packets from the checked fixing information, where the fixing information is used to fix a transformed part of the content and the second packet contains fixing data for fixing the transformed part of the content; and a fixing unit which selectively fixes the transformed part of the content based on the fixing information of the first packet checked by the checking unit.

Mode for Invention

- [22] FIG. 2 is a diagram illustrating a content protection method according to an exemplary embodiment of the present invention.
- [23] As described above, the conventional, individual content renewability scheme does not provide a solution to protect content against frequency attacks of a hacker throughout content reproduction, for example. Thus, region code of a digital video disk (DVD), for example, is likely to be easily deactivated merely by using a simple operation of a remote control. In particular, when content restoration is controlled by using a small number of simple control commands, the conventional, individual content renewability scheme may be deactivated with only a few attacks during a beginning state of content reproduction. To prevent this problem, according to an embodiment of the present invention, content is scrambled to be transformed, and plural pieces of information needed to descramble the scrambled content are independent from one another, and security code is designed to contain the plural pieces of the information. Thus, the security code is continuously used to descramble the scrambled content.
- [24] However, scrambling the entire content may increase the load on the system depending on the specification of the system. Accordingly, according to an embodiment of the present invention, some separated parts of the content are scrambled to transform the content as illustrated in FIG. 2, thereby sufficiently preventing a user from viewing the content. P art s of content transformed by scrambling may be fixed by using various methods. First, various information needed to fix the transformed part s of the content is contained in security code. In this case, since a large amount of data is contained in the security code, the load on the system is significantly increased in an environment that requires the security code to be continuously executed to reproduce the content.
- [25] Second, a part of the information needed to fix a transformed part of content is contained in security code and the majority of the information is contained in the content. In this case, it is important to easily determine which part of the content stores the information for fixing the transformed part of the content. Thus, in an embodiment of the present invention, information for fixing a transformed part of content is stored in a reserved region of a program map table (PMT) packet according to the Moving Picture Experts Group (MPEG)-2. However, it would be apparent to those of ordinary skilled in the art that types of packets, other than the PMT packet, may be used to store the information.
- [26] Third, a flag is inserted into a PMT packet that contains information for substantially fixing a transformed part of content in order to distinguish the PMT packet from general packets. However, in this case, all packets must be parsed to detect the PMT packet containing the information for fixing the transformed part of the content.

To solve this problem, in an embodiment of the present invention, location information of a next PMT packet containing information for fixing a transformed part of content is inserted into a PMT packet.

- [27] FIG. 3 is a block diagram of a media player 3 according to an exemplary embodiment of the present invention. Referring to FIG. 3, the media player 3 includes a media interface 31, a virtual machine 32, a memory 33, a decrypting unit 34, a checking unit 35, a fixing unit 36, a decoding unit 37, and an output interface 38.
- [28] The media interface 31 reads content and security code, which is a program for protecting the content, from a medium, such as a DVD or a compact disk (CD). Also, the media interface 31 may support temporarily storing of the content to match a decrypting speed of the decrypting unit 34 or a decoding speed of the decoding unit 37.
- [29] In an embodiment of the present invention, a representative example of content is an audio visual (AV) title coded according to the MPEG-2 standard. Also, content may be protected according to various methods. For example, content may be encrypted by using a content scramble system (CSS) key according to the CSS standard or using a title key according to the advanced access content system (AACS) standard. Otherwise, according to an exemplary embodiment of the present invention, content may be transformed by scrambling separated parts thereof.
- [30] The virtual machine 32 executes the security code read by the media interface 31 to generate information of the media player 3, and compares information of the media player 3 stored in the memory 33 with the generated information of the media player 3 in security code . Next, the virtual machine 32 determines whether a device key set of the media player 3 has been disclosed or hacking software thereof is installed or is running , based on the comparison result, and further executes the security code to generate information for fixing a transformed part of the content (hereinafter referred to as 'fixing information') only when it is determined that the device key set of the media player 3 has not been disclosed and hacking software thereof is not installed or is not running . For example, the virtual machine 32 may be embodied as a Java virtual machine, and the security code may be embodied as a Java program which is also referred to as Java byte code. The Java virtual machine interprets the Java byte code, and executes the interpreted code to be proper for a platform (Window, UNIX, McIntosh, etc.) into which the Java virtual machine is installed. It would be apparent to those of ordinary skilled in the art that the virtual machine 32 may be embodied in a programming language other than Java.
- [31] If content is transformed by scrambling separated parts thereof in an embodiment of the present invention, the fixing information may be descramble information for fixing the transformed part. In particular, according to an embodiment of the present invention, the fixing information may be obfuscated to prevent values of the fixing in-

formation from being easily interpreted. It would be apparent to those of ordinary skilled in the art that the term 'obfuscating' may be replaced with other terms, such as 'masking'. Also, if content is transformed by scrambling separated parts thereof in an embodiment of the present invention, fixing information may contain location information indicating which part of the content is scrambled, and information regarding the size of a scrambled part of the content.

[32] The decrypting unit 34 decrypts the content read by the media interface 31. If the content is encrypted by using a CSS key according to the CSS standard, the decrypting unit 34 decrypts the content by using the CSS key according to the CSS standard. If the content is encrypted by using a title key according to the AAC3 standard, the decrypting unit 34 decrypts the content by using the title key according to the AAC3 standard. If the content is not encrypted as described above, it would be apparent to those of ordinary skill in the art that the decrypting unit 34 may be omitted from the media player 3 according to an exemplary embodiment of the present invention.

[33] The checking unit 35 checks fixing information for fixing the transformed part of the content for a PMT packet among packets that constitute the content decrypted by the decrypting unit 34, and extracts location information of a next PMT packet from the checked fixing information of the PMT packet, the next PMT packet containing data for substantially fixing the transformed part of the content (hereinafter referred to as 'fixing data').

[34] Also, the checking unit 35 extracts fixing data from the fixing information of the PMT packet when the fixing information contains the fixing data. However, fixing information contained in each PMT packet does not always contain fixing data but may contain only relative location information of a next PMT packet containing fixing data. In other words, fixing information contained in each PMT packet always contains location information of a next PMT packet containing fixing data but may not contain fixing data.

[35] Instead, a PMT packet that does not contain fixing data may contain information for forensic marking. If fixing information of a PMT packet contains information for forensic marking, not fixing data, the checking unit 35 extracts the information for forensic marking from the fixing information of the PMT packet. Forensic marking is a method of expressing player information used for hacking when content has been hacked and distributed without permission. For example, according to forensic marking, player ID may be inserted into the content.

[36] FIG. 4 is a diagram illustrating a process of checking fixing information according to an embodiment of the present invention.

[37] The media player 3 of FIG. 3 may reproduce content stored in a medium starting from either the head of the content or a middle part thereof, as a user selects. Thus, the

checking unit 35 checks fixing information of a PMT packet first appearing from a starting point, which is selected by the user, from which the content is reproduced.

[38] Referring to FIG. 4, the checking unit 35 skips checking fixing information of PMT packets present between a current PMT packet and a next PMT packet that contains fixing data, based on relative location information of a next PMT packet, and directly checks fixing information of the next PMT packet containing the fixing data. Here, the relative location information of the next PMT packet represents a relative packet number indicating a total number of packets between the current PMT packet and the next PMT packet that contains the fixing data. That is, the checking unit 35 checks fixing information of a next PMT packet present in a location corresponding to a value obtained by adding the number of the current PMT packet plus one to the relative packet number of the next PMT packet.

[39] For example, if the starting point from which the content is reproduced is marked by a left arrow 410 of FIG. 4, the checking unit 35 checks fixing information of a PMT packet A (41) that first appears from the starting point. Next, the checking unit 35 extracts a relative packet number of a next PMT packet containing fixing data, i.e., a PMT packet B (42), from the fixing information of the PMT packet A (41), and checks fixing information of the PMT packet B (42) based on the extracted relative packet number. Next, the checking unit 35 extracts a relative packet number of a next PMT packet containing fixing data, i.e., a PMT packet D (44), from the fixing information of the PMT packet B (42), and checks fixing information of the PMT packet D (44) based on the extracted relative packet number. In this case, checking fixing information of a PMT packet C (43) is skipped, because the PMT packet C (43) does not contain fixing data.

[40] If the starting point from which the content is reproduced is marked by a right arrow 420 of FIG. 4, the checking unit 35 checks the fixing information of the PMT packet C (43) first appearing from the starting point. Next, the checking unit 35 extracts a relative packet number of a next PMT packet containing fixing data, i.e., the PMT packet D (44), from the fixing information of the PMT packet C (43), and checks the fixing information of the PMT packet D (44) based on the extracted relative packet number. In this case, the fixing information of the PMT packet C (43) is checked, because the PMT packet C (43) first appears from the starting point from which the content is reproduced although the PMT packet C (43) does not contain fixing data.

[41] That is, the checking unit 35 checks fixing information of a PMT packet first appearing from the starting point that the content begins to be reproduced, and then checks only fixing information of a PMT packet containing fixing data without checking information of all PMT packets.

[42] The fixing unit 36 selectively fixes a transformed part of the content based on fixing

information generated by the virtual machine 32 and fixing information of a PMT packet checked by the checking unit 35. More specifically, when the fixing information of the PMT packet checked by the checking unit 35 contains fixing data, the fixing unit 36 fixes the transformed part of the content by using the fixing data included in the fixing information of the PMT packet checked by the checking unit 35, i.e., the fixing data extracted by the checking unit 35.

[43] However, when the fixing information of the PMT packet checked by the checking unit 35 contains information for forensic marking, not fixing data, the fixing unit 36 inserts the information for forensic marking into the content. When the fixing information of the PMT packet contains fixing data, separated, scrambled parts of the content are descrambled by using the fixing data. When the fixing information of the PMT packet contains the information for forensic marking, the information for forensic marking is inserted into the content.

[44] The fixing unit 36 may use various methods for fixing the transformed part of the content. For example, the fixing information of the PMT packet checked by the checking unit 35 may include an obfuscated part. In this case, the fixing information generated by the virtual machine 32 is used to deobfuscate the obfuscated part of the fixing information of the PMT packet checked by the checking unit 35. That is, the fixing unit 36 deobfuscates the obfuscated part of the fixing information of the PMT packet checked by the checking unit 35 by using the fixing information generated by the virtual machine 32, and fixes the transformed part of the content by using the de-obfuscated fixing information. The deobfuscating of the obfuscated part may be performed through an XOR operation. That is, fixing information may be deobfuscated by performing an XOR operation on the fixing information and a specific bit stream. In this case, the fixing information generated by the virtual machine 32 is the specific bit stream. That is, the fixing unit 36 restores the original fixing information by performing the XOR operation on the fixing information generated by the virtual machine 32, and fixing information contained in the fixing information of the PMT packet checked by the checking unit 35.

[45] In an exemplary embodiment of the present invention, fixing information includes fixing data, information for forensic marking, location information of a next PMT packet that contains the fixing data, etc. The location information of the next PMT packet containing the fixing data may not be obfuscated. The location information of the next PMT packet containing the fixing data must always be checked regardless of whether or not the fixing information contains the fixing data, the information for forensic marking, etc., and therefore may not be obfuscated to be directly used without performing a deobfuscating process.

[46] The decoding unit 37 restores the original content by decoding the content

decrypted by the decrypting unit 34, the content fixed by the fixing unit 36, or the content into which the information for forensic marking has been inserted. If the content is encoded according to the MPEG-2 standard, the decoding unit 37 restores the original content by the content fixed by the fixing unit 36 according to the MPEG-2 standard.

[47] The output interface 38 outputs the content decoded by the decoding unit 37 to a display device, such as a digital television (DTV).

[48] FIGS. 5 and 6 are flowcharts illustrating a method of restoring content according to an exemplary embodiment of the present invention. The method illustrated in FIGS. 5 and 6 includes timing operations performed by the media player 3 of FIG. 3. Thus, although not described here, the above operations of the media player 3 are also applicable to the method of FIGS. 5 and 6.

[49] In operation 501, the media player 3 reads content and security code, which is a program for protecting the content, from a medium, such as a DVD or a CD.

[50] In operation 502 the media player 3 executes the security code extracted in operation 501 to generate information of the media player 3, and compares the generated information of the media player 3 in security code with information of the media player 3 stored in the memory 33.

[51] In operation 503, the media player 3 determines whether a device key set of the media player 3 has been disclosed or hacking software thereof is installed or is running, based on the comparison result in 502, and performs operation 504 when it is determined that the device key set of the media player 3 has not been disclosed or the hacking software thereof is not installed or is not running. When it is determined that the device key set has been disclosed or the hacking software thereof is installed or is running, the method is terminated.

[52] In operation 504, the media player 3 further executes the security code to generate fixing information for fixing a transformed part of the content.

[53] In operation 505, the media player 3 decrypts the content read in operation 501.

[54] In operation 506, the media player 3 checks fixing information of a PMT packet of packets constituting the content decrypted in operation 505, the PMT packet first appearing as from a starting point, which is selected by a user, from which the content is reproduced.

[55] In operation 507, the media player 3 deobfuscates the fixing information of the PMT packet checked in operation 506 by using the fixing information generated in operation 504. As described above, the location information of a next PMT packet containing fixing data may not be obfuscated.

[56] In operation 508, the media player 3 performs operation 510 when the fixing information deobfuscated in operation 507 contains fixing data, and performs operation

509 otherwise.

[57] In operation 509, the media player 3 performs operation 512 when the fixing information obfuscated in operation 507 contains information for forensic marking, and performs operation 514 otherwise.

[58] In operation 510, the media player 3 extracts fixing data from the fixing information deobfuscated in operation 507.

[59] In operation 511, the media player 3 fixes the transformed part of the content by using the fixing data extracted in operation 510.

[60] In operation 512, the media player 3 extracts the information for forensic marking from the fixing information deobfuscated in operation 507.

[61] In operation 513, the media player 3 inserts the information for forensic marking extracted in operation 512 into the content.

[62] In operation 514, the media player 3 extracts location information of a next PMT packet that contains fixing data from the fixing information of the PMT packet checked in operation 506.

[63] In operation 515, the media player 3 directly checks the fixing information of the next PMT packet extracted in operation 514 without checking fixing information of PMT packets present between a current PMT packet and the next PMT packet. Next, the media player 3 performs operation 507 to fix the transformed part of the content by using the fixing data in the next PMT packet indicated by the location information extracted in operation 513.

[64] In operation 516, the media player 3 restores the original content by decoding the content decrypted in operation 505, the content fixed in operation 511 or the content into which the information for forensic marking was inserted in operation 513.

[65] In operation 517, the media player 3 outputs the content decoded in operation 516 to an output device, such as a DTV.

[66] The above embodiments of the present invention can be embodied as a computer program, and realized in a general digital computer via a computer readable medium. Also, data constructions used in the above embodiments can be recorded in a computer readable medium via various devices. Here, the computer readable medium may be a read-only memory (ROM), a random access memory (RAM), a compact disc (CD)-ROM, a magnetic tape, a floppy disk, an optical data storage device, and a carrier wave that transmits data via the Internet, for example.

[67] While this invention has been particularly shown and described with reference to exemplary embodiments thereof, it will be understood by those skilled in the art that various changes in form and details may be made therein without departing from the spirit and scope of the invention as defined by the appended claims.

Claims

- [1] 1. A method of fixing content, comprising:
(a) checking fixing information for a first packet of packets constituting the content, the fixing information being used to fix a transformed part of the content;
(b) extracting location information of a second packet of the packets from the fixing information of the first packet checked in (a), the second packet containing fixing data for fixing the transformed part of the content; and
(c) fixing the transformed part of the content by using the fixing data in the second packet indicated by the location information extracted in (b).
- [2] 2. The method of claim 1, further comprising (d) selectively fixing the transformed part of the content based on the fixing information of the first packet checked in (a).
- [3] 3. The method of claim 2, wherein when the fixing information of the first packet checked in (a) contains the fixing data, (d) comprises fixing the transformed part of the content by using the fixing data in the fixing information of the first packet checked in (a).
- [4] 4. The method of claim 1, wherein (a) comprises checking the fixing information of the first packet from a starting point, which is selected by a user, from which the content is reproduced.
- [5] 5. The method of claim 1, wherein (c) comprises:
(c1) checking the fixing information of the second packet based on the location information extracted in (b) without checking fixing information of packets present between the first packet and the second packet; and
(c2) fixing the transformed part of the content by using fixing data in the fixing information of the second packet checked in (c1).
- [6] 6. The method of claim 1, wherein the location information is relative location information from the first packet to the second packet.
- [7] 7. The method of claim 6, wherein the relative location information indicates a total number of packets present between the first packet and the second packet, and
(c) comprises:
(c1) checking the fixing information of the second packet present at a location corresponding to a value obtained by adding the number of first packet plus one to the total number of the packets; and
(c2) fixing the transformed part of the content by using fixing data in the fixing information of the second packet checked in (c1).

- [8] 8. The method of claim 1, further comprising:
(d) executing a security code extracted from a medium to generate fixing information for fixing the transformed part of the content; and
(e) selectively fixing the transformed part of the content based on the fixing information generated in (d) and the fixing information checked in (a).
- [9] 9. The method of claim 1, wherein the first packet and the second packet are program map table packets according to the moving picture experts group-2 standard, and each program map table packet of the packets contains the fixing information.
- [10] 10. A computer readable medium having recorded thereon a computer program for executing a method of method of fixing content, the method comprising: checking fixing information for a first packet of packets constituting the content, the fixing information being used to fix a transformed part of the content; extracting location information of a second packet of the packets from the extracted fixing information of the first packet, the second packet containing fixing data for fixing the transformed part of the content; and fixing the transformed part of the content by using the fixing data in the second packet indicated by the extracted location information.
- [11] 11. An apparatus for fixing content, comprising:
a checking unit which checks fixing information for a first packet of packets constituting the content, and extracts location information of a second packet of the packets from the checked fixing information, where the fixing information is used to fix a transformed part of the content and the second packet contains fixing data for fixing the transformed part of the content; and
a fixing unit which selectively fixes the transformed part of the content based on the fixing information of the first packet checked by the checking unit.
- [12] 12. The apparatus of claim 11, wherein, when the fixing information of the first packet checked by the checking unit contains the fixing data, the fixing unit fixes the transformed part of the content by using the checked fixing information of the first packet.
- [13] 13. The apparatus of claim 11, wherein the checking unit checks the fixing information of the second packet based on the extracted location information, and extracts the fixing data for fixing the transformed part of the content from the checked fixing information of the second packet, and the fixing unit fixes the transformed part of the content by using the fixing data extracted by the checking unit.
- [14] 14. The apparatus of claim 11, wherein the checking unit checks the fixing information of the first packet which first appears from a starting point, which is

selected by a user, from which the content is reproduced.

- [15] 15. The apparatus of claim 11, wherein the checking unit checks the fixing information of the second packet based on the location information extracted by the checking unit without checking the fixing information of packets present between the first packet and the second packet, and the fixing unit fixes the transformed part of the content by using the fixing data in the fixing information of the second packet checked by the checking unit.
- [16] 16. The apparatus of claim 11, wherein the location information is relative location information from the first packet to the second packet.
- [17] 17. The apparatus of claim 16, wherein the relative location information indicates a total number of packets present between the first packet and the second packet, the checking unit checks the fixing information of the second packet present at a location corresponding to a value obtained by adding the first packet plus one to the total number of the packets, and the fixing unit fixes the transformed part of the content by using the fixing data in the fixing information checked by the checking unit.
- [18] 18. The apparatus of claim 11, further comprising a virtual machine executing a security code extracted from a medium to generate fixing information for fixing the transformed part of the content, wherein the fixing unit further selectively fixes the transformed part of the content based on the fixing information generated by the virtual machine and the fixing information of the first packet checked by the checking unit.
- [19] 19. The apparatus of claim 11, wherein the first and second packets are program map table packets according to the moving picture experts group-2 standard, and each program map table packet of the packets contains the fixing information.
- [20] 20. A method of reproducing content, comprising:
extracting forensic information inserted into the content;
extracting information regarding a location of a packet containing the forensic information;
extracting the forensic information from the packet present at the location; and
inserting the extracted forensic information into the content.
- [21] 21. The method of claim 20, wherein the packet is a program map table packet.

FIG. 1

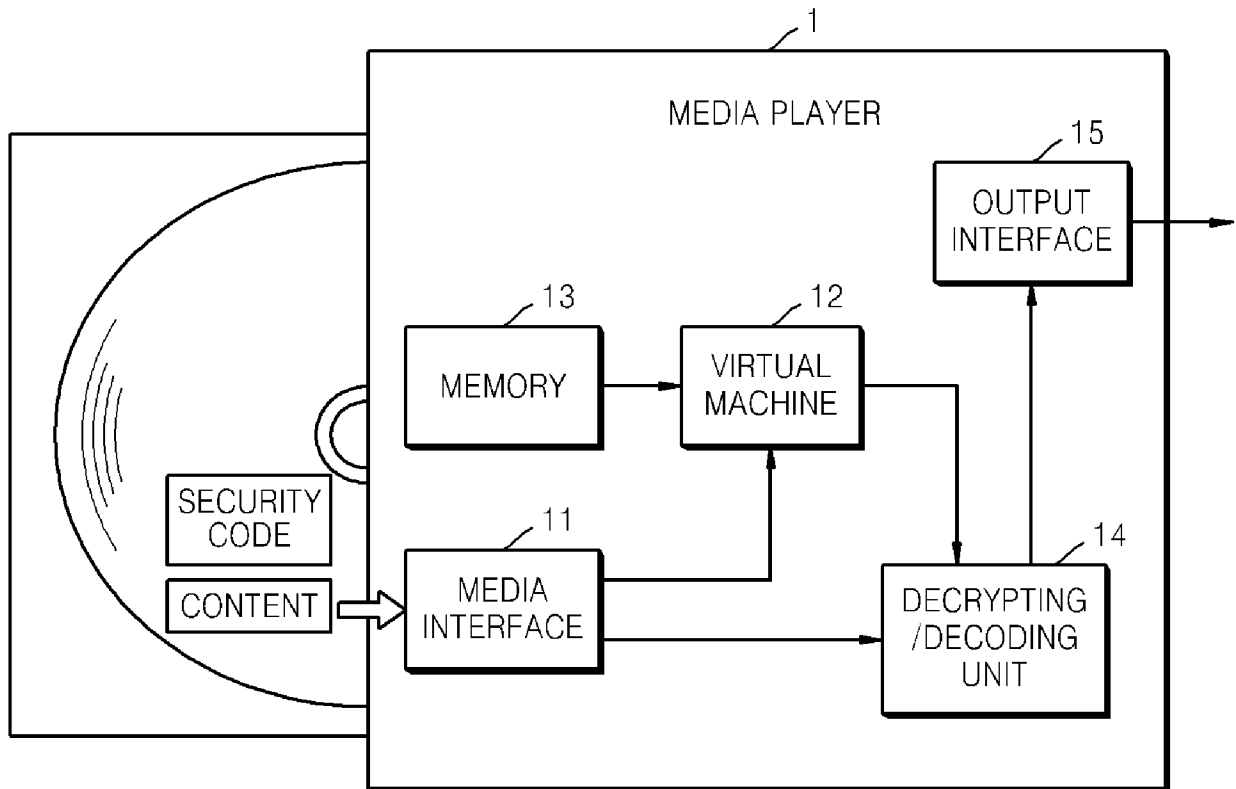


FIG. 2

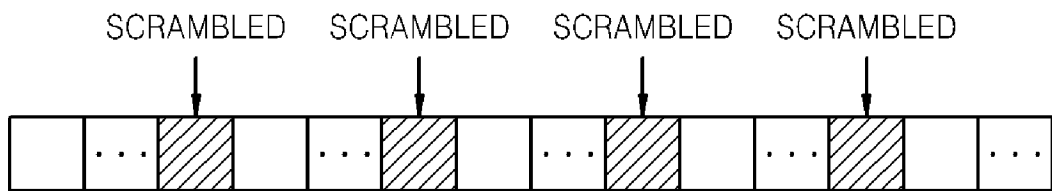


FIG. 3

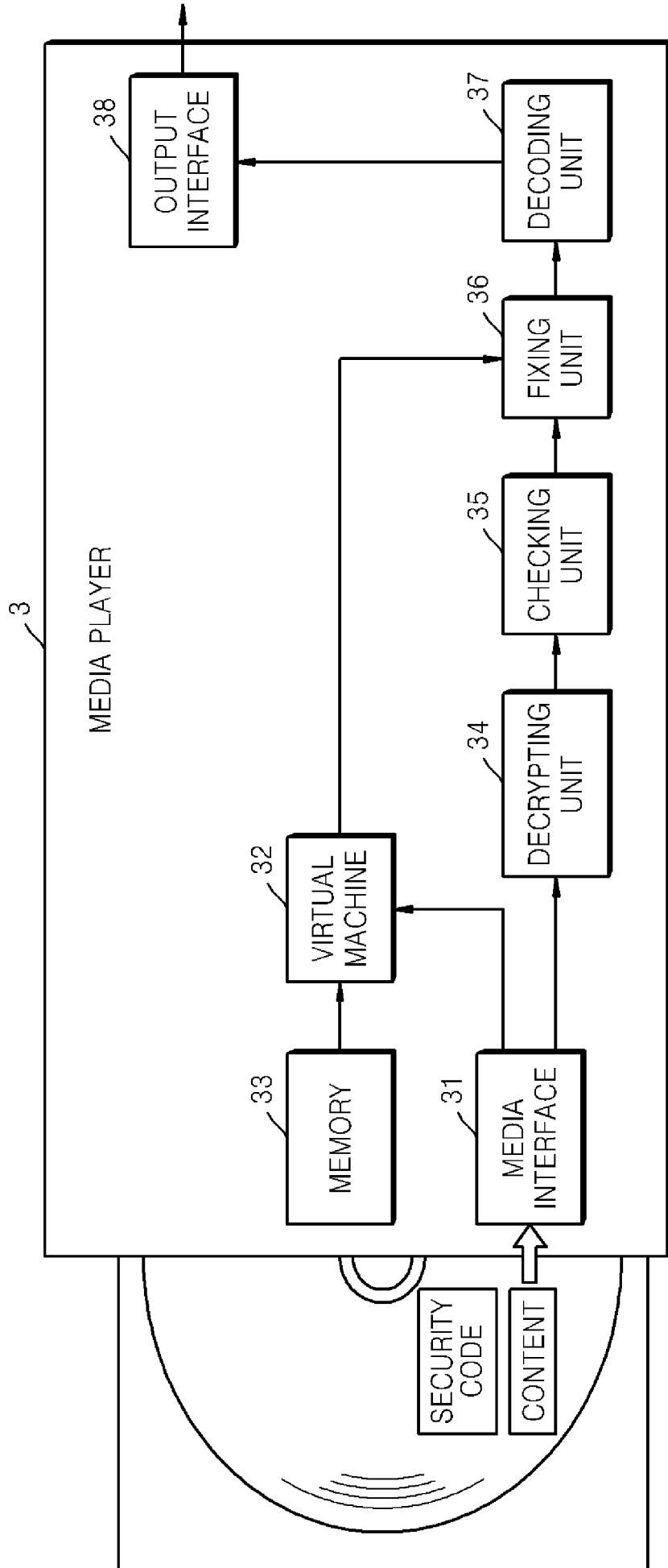
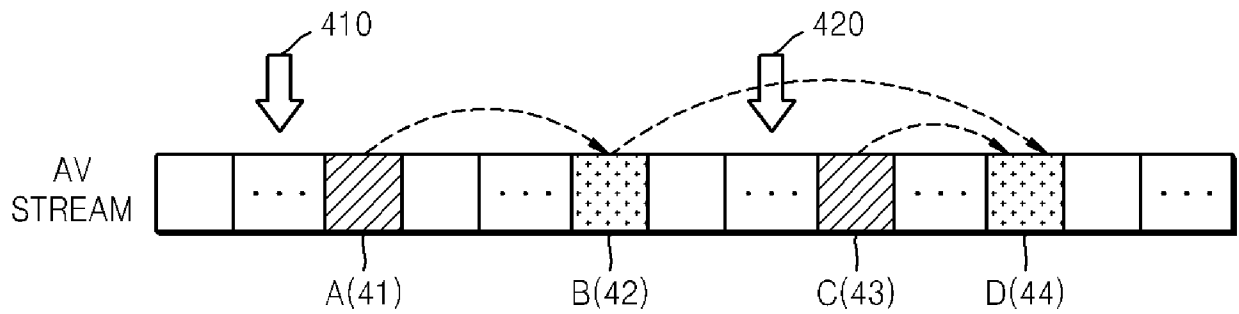


FIG. 4



: PMT PACKET WHOSE FIXING INFORMATION NEED NOT BE CHECKED



: PMT PACKET WHOSE FIXING INFORMATION NEED TO BE CHECKED

FIG. 5

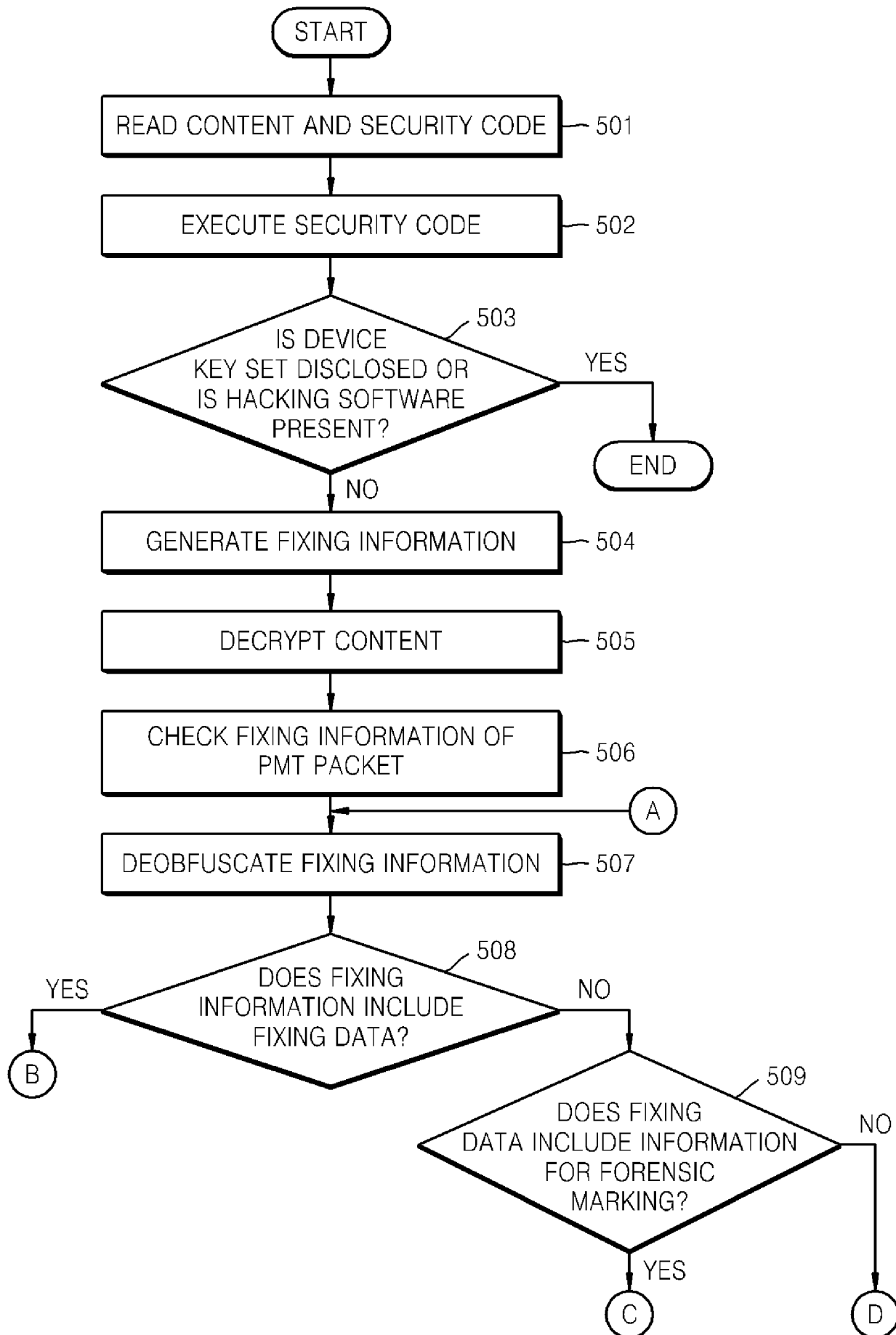
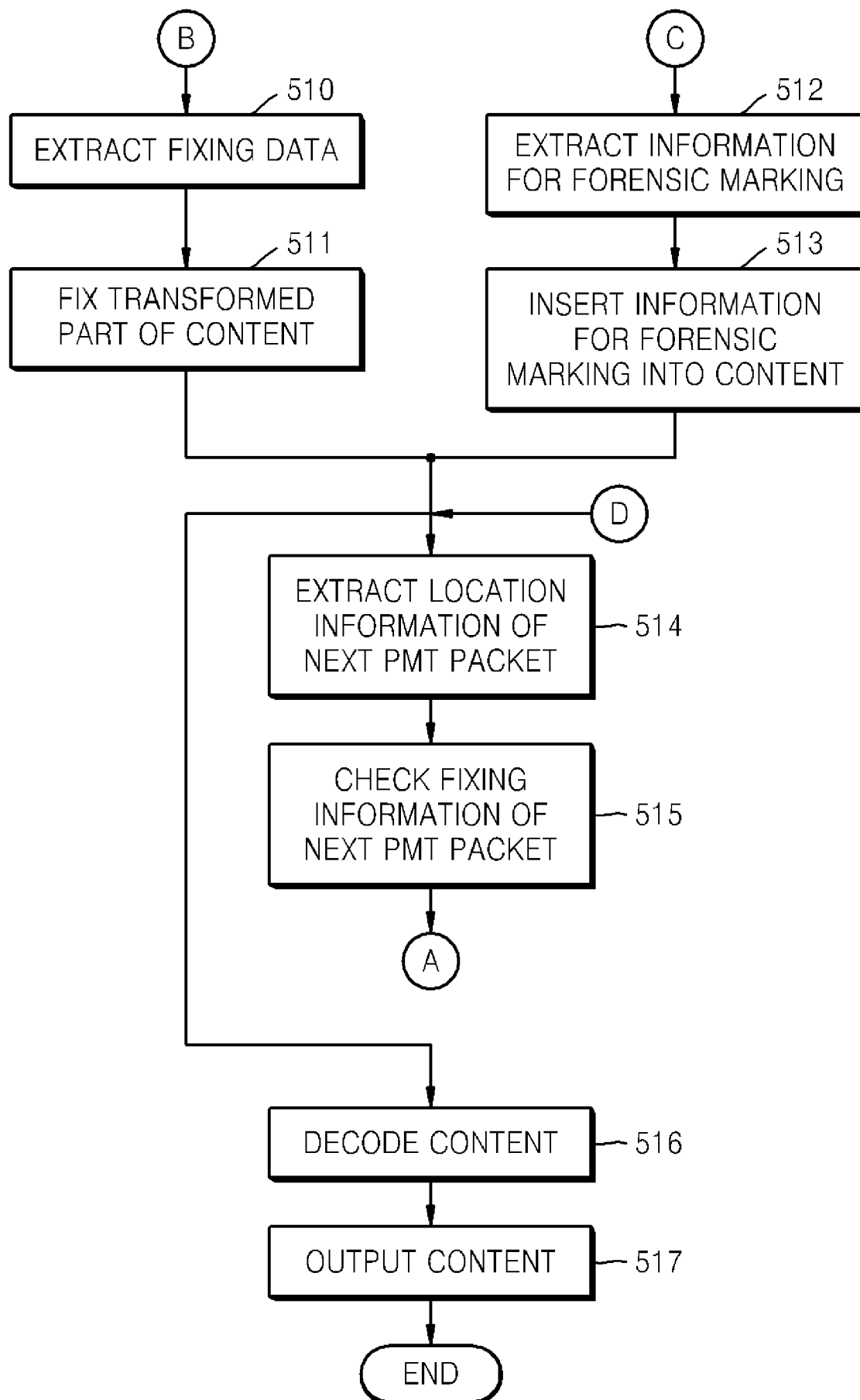


FIG. 6



A. CLASSIFICATION OF SUBJECT MATTER***H04N 7/167(2006.01)i***

According to International Patent Classification (IPC) or to both national classification and IPC

B. FIELDS SEARCHED

Minimum documentation searched (classification system followed by classification symbols)

H04N 7/167

Documentation searched other than minimum documentation to the extent that such documents are included in the fields searched

Electronic data base consulted during the international search (name of data base and, where practicable, search terms used)

USPAT, IEEE : CONTENT, ACCESS, SCRAMBLE, SELECTIVE, ENCRYPTION, PACKET, FORENSIC

C. DOCUMENTS CONSIDERED TO BE RELEVANT

Category*	Citation of document, with indication, where appropriate, of the relevant passages	Relevant to claim No.
A	Jiangtao Wen; Severa, M.; Wenjun Zeng; Luttrell, M.H.; Weiyin Jin; "A format-compliant configurable encryption framework for access control of video" In: Circuits and Systems for Video Technology, IEEE Transactions on Volume 12, Issue 6, June 2002 Page(s):545 - 557 * Abstract, PART I, II, Fig.1 *	1-21
A	US 5689559 (LG Electronics) 18 NOVEMBER 1997 * Abstract *	1-21
A	Wenjun Zeng; Jiangtao Wen; Severa, M.; "Fast self-synchronous content scrambling by spatially shuffling codewords of compressed bitstreams" In: Image Processing, 2002. Proceedings. 2002 International Conference on Volume 3, 24-28 June 2002 Page(s):III-169 - III-172 vol.3 * Abstract *	1-21

 Further documents are listed in the continuation of Box C. See patent family annex.

* Special categories of cited documents:

"A" document defining the general state of the art which is not considered to be of particular relevance

"E" earlier application or patent but published on or after the international filing date

"L" document which may throw doubts on priority claim(s) or which is cited to establish the publication date of citation or other special reason (as specified)

"O" document referring to an oral disclosure, use, exhibition or other means

"P" document published prior to the international filing date but later than the priority date claimed

"T" later document published after the international filing date or priority date and not in conflict with the application but cited to understand the principle or theory underlying the invention

"X" document of particular relevance; the claimed invention cannot be considered novel or cannot be considered to involve an inventive step when the document is taken alone

"Y" document of particular relevance; the claimed invention cannot be considered to involve an inventive step when the document is combined with one or more other such documents, such combination being obvious to a person skilled in the art

"&" document member of the same patent family


Date of the actual completion of the international search

27 OCTOBER 2006 (27.10.2006)

Date of mailing of the international search report

27 OCTOBER 2006 (27.10.2006)

Name and mailing address of the ISA/KR



Korean Intellectual Property Office
920 Dunsan-dong, Seo-gu, Daejeon 302-701,
Republic of Korea

Facsimile No. 82-42-472-7140

Authorized officer

LEE, Seung Han

Telephone No. 82-42-481-5761



INTERNATIONAL SEARCH REPORT

International application No.

PCT/KR2006/002827

C (Continuation). DOCUMENTS CONSIDERED TO BE RELEVANT		
Category*	Citation of document, with indication, where appropriate, of the relevant passages	Relevant to claim No.
A	WO 2004 / 097828 A2 (THOMSON LICENSING S.A.) 11 NOVEMBER 2004 *Abstract *	20-21
P, A	US 7016951 B1 (MANTECH CTX CORPORATION) 21 MARCH 2006 *Abstract*	20-21

INTERNATIONAL SEARCH REPORT

Information on patent family members

International application No.

PCT/KR2006/002827

Patent document cited in search report	Publication date	Patent family member(s)	Publication date
US05689559	18. 11. 1997	CN1074888B	. . B
		CN1074888C	14. 11. 2001
		CN1131796	25. 09. 1996
		CN1131796A	25. 09. 1996
		DE69526310T2	02. 10. 2002
		EP00716544A2	12. 06. 1996
		EP00716544B1	10. 04. 2002
		EP0716544A2	12. 06. 1996
		EP716544A2	12. 06. 1996
		EP716544A3	18. 06. 1997
		EP716544B1	10. 04. 2002
		JP08237596	13. 09. 1996
		JP3105777B2	06. 11. 2000
		JP8237596A2	13. 09. 1996
		KR1019960025595	20. 07. 1996
		KR136458B1	15. 05. 1998
		US36919E	17. 10. 2000
		US37052E	13. 02. 2001
		US37052E1	13. 02. 2001
		US5689559A	18. 11. 1997
USRE036919	17. 10. 2000		
USRE037052	13. 02. 2001		
W02004097828A2	11. 11. 2004	BR200409745A	09. 05. 2006
		CA2523055AA	11. 11. 2004
		CA2523055A1	11. 11. 2004
		CN1777941A	24. 05. 2006
		EP01618564A2	25. 01. 2006
		EP1618564A2	25. 01. 2006
		KR1020060011962	06. 02. 2006
		US07024958	11. 04. 2006
		US2004053563A1	18. 03. 2004
		US2004053563AA	18. 03. 2004
		US2006121833AA	08. 06. 2006
		US7024958BB	11. 04. 2006
W02004097828A3	17. 02. 2005		
US7016951BA	21. 03. 2006	NONE	