



US00D923760S

(12) **United States Design Patent**  
**Graves**

(10) **Patent No.:** **US D923,760 S**

(45) **Date of Patent:** **\*\* Jun. 29, 2021**

- (54) **GUTTER COVER**
- (71) Applicant: **Steven Graves**, Caledon (CA)
- (72) Inventor: **Steven Graves**, Caledon (CA)
- (\*\*) Term: **15 Years**
- (21) Appl. No.: **29/676,184**
- (22) Filed: **Jan. 9, 2019**
- (30) **Foreign Application Priority Data**
- Dec. 14, 2018 (CA) ..... 185336
- (51) **LOC (13) Cl.** ..... **23-01**
- (52) **U.S. Cl.**
- USPC ..... **D23/267**
- (58) **Field of Classification Search**
- USPC ..... D23/266, 259, 260–263, 265, 267;  
52/11–12, 16
- CPC ..... E04D 13/072
- See application file for complete search history.

- 2007/0169423 A1\* 7/2007 Brochu ..... E04D 13/076  
52/12
- 2008/0010906 A1\* 1/2008 Brochu ..... E04D 13/076  
52/12
- 2008/0190040 A1\* 8/2008 Graves ..... E04D 13/076  
52/12
- 2009/0108144 A1\* 4/2009 Brochu ..... E04D 13/076  
248/48.1
- 2011/0138698 A1\* 6/2011 Neumann ..... E04D 13/076  
52/12
- 2012/0151849 A1\* 6/2012 Brochu ..... E04D 13/076  
52/12

(Continued)

*Primary Examiner* — Amy C Wierenga

- (56) **References Cited**
- U.S. PATENT DOCUMENTS
- 6,786,008 B2 9/2004 Brochu
- D523,538 S \* 6/2006 Brochu ..... D23/267
- 7,614,185 B2 \* 11/2009 Brochu ..... E04D 13/076  
52/11
- 7,908,797 B2 3/2011 Graves
- D651,292 S \* 12/2011 Geers ..... D23/267
- 8,316,585 B2 \* 11/2012 Brochu ..... E04D 3/364  
52/11
- D672,016 S \* 12/2012 Walker ..... D23/267
- 8,322,082 B2 12/2012 Neumann
- 8,434,269 B1 \* 5/2013 Brochu ..... E04D 13/076  
52/12
- 8,695,282 B2 4/2014 Glander
- D782,624 S \* 3/2017 Haendel ..... D23/267
- 2002/0166290 A1\* 11/2002 Bergeron ..... E04D 13/076  
52/12

(57) **CLAIM**

I claim the ornamental design for a gutter cover, as shown and described.

**DESCRIPTION**

FIG. 1 shows a top, front and left side perspective view of a gutter cover showing the design.

FIG. 2 is a perspective rear, top and left side view thereof;

FIG. 3 is a top plan view thereof;

FIG. 4 shows a bottom plan view thereof;

FIG. 5 shows a left side view thereof;

FIG. 6 shows a right side view thereof;

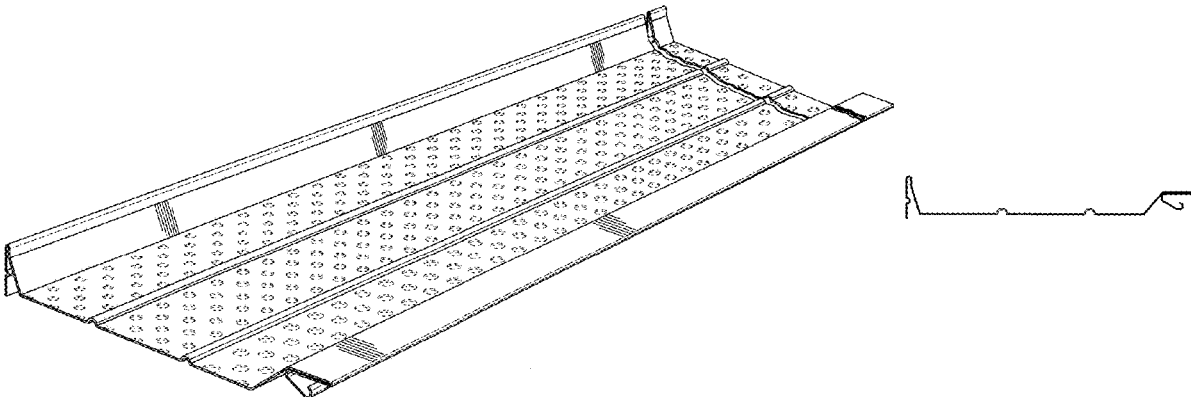
FIG. 7 shows a front end view thereof;

FIG. 8 shows a rear end view thereof; and,

FIG. 9 shows a perspective top, front and left side view of the gutter cover shown in FIG. 1 in its environment mounted over an eavestrough gutter.

The dashed broke lines in the drawings illustrate portions of the gutter cover that form no part of the claim. The gutter cover is shown with a symbolic break in its length. The appearance of any portion of the article between the break lines forms no part of the claim.

**1 Claim, 6 Drawing Sheets**



(56)

**References Cited**

U.S. PATENT DOCUMENTS

2016/0168857 A1\* 6/2016 Neumann ..... E04D 13/0645  
52/16

\* cited by examiner

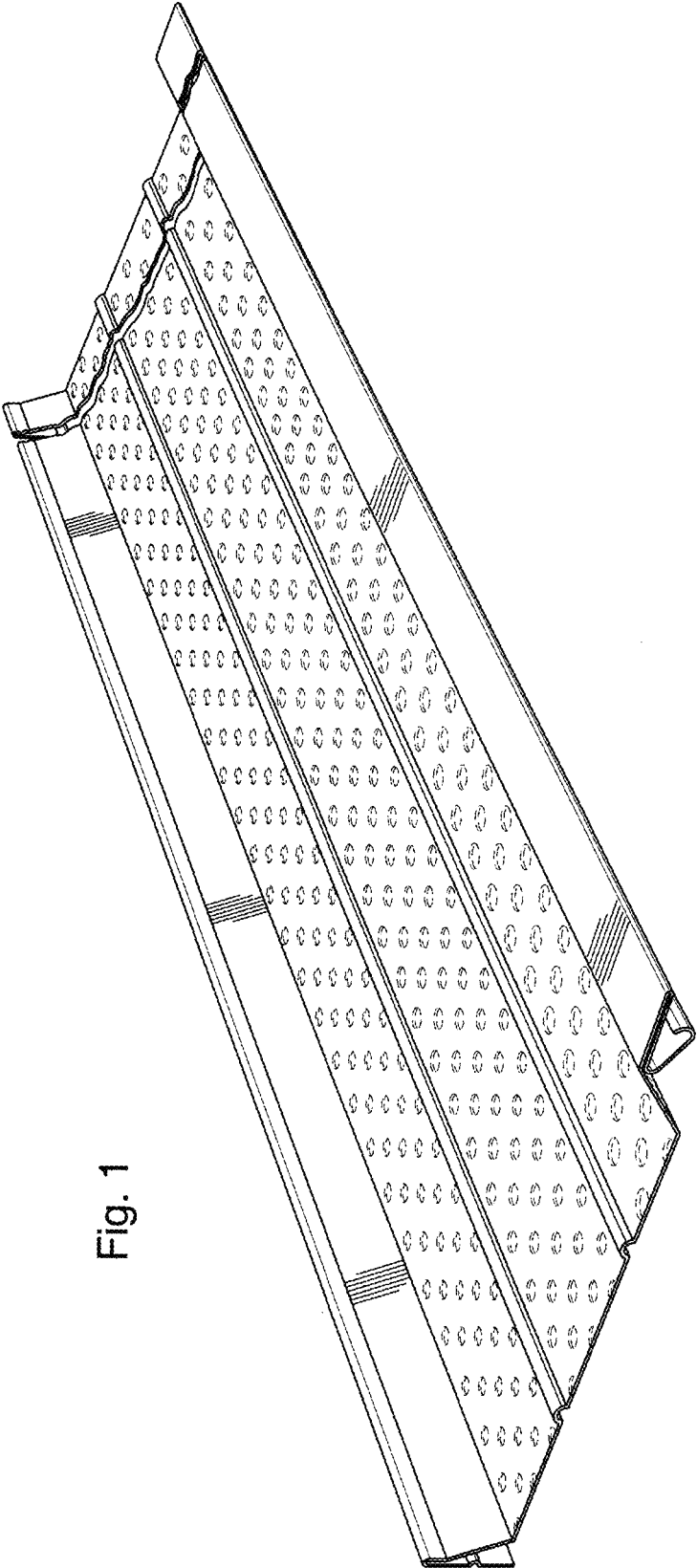


Fig. 1

Fig. 2

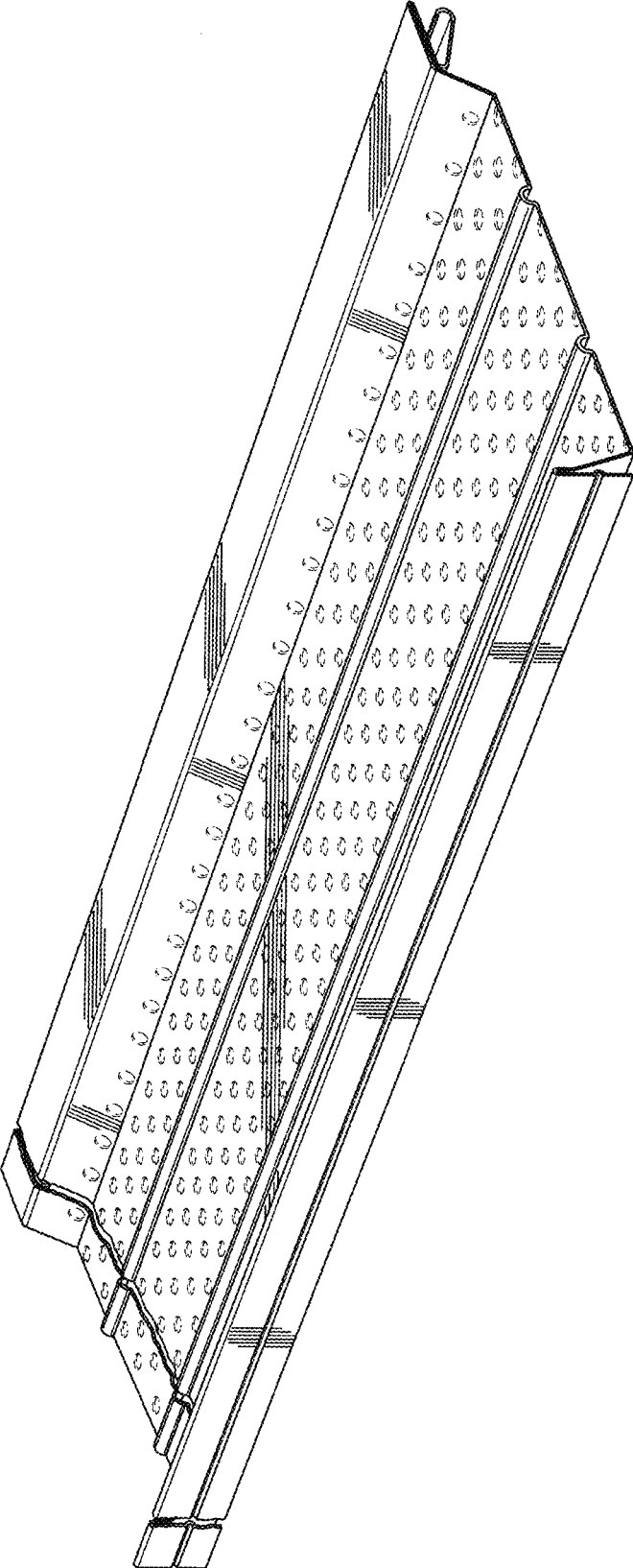


Fig. 3

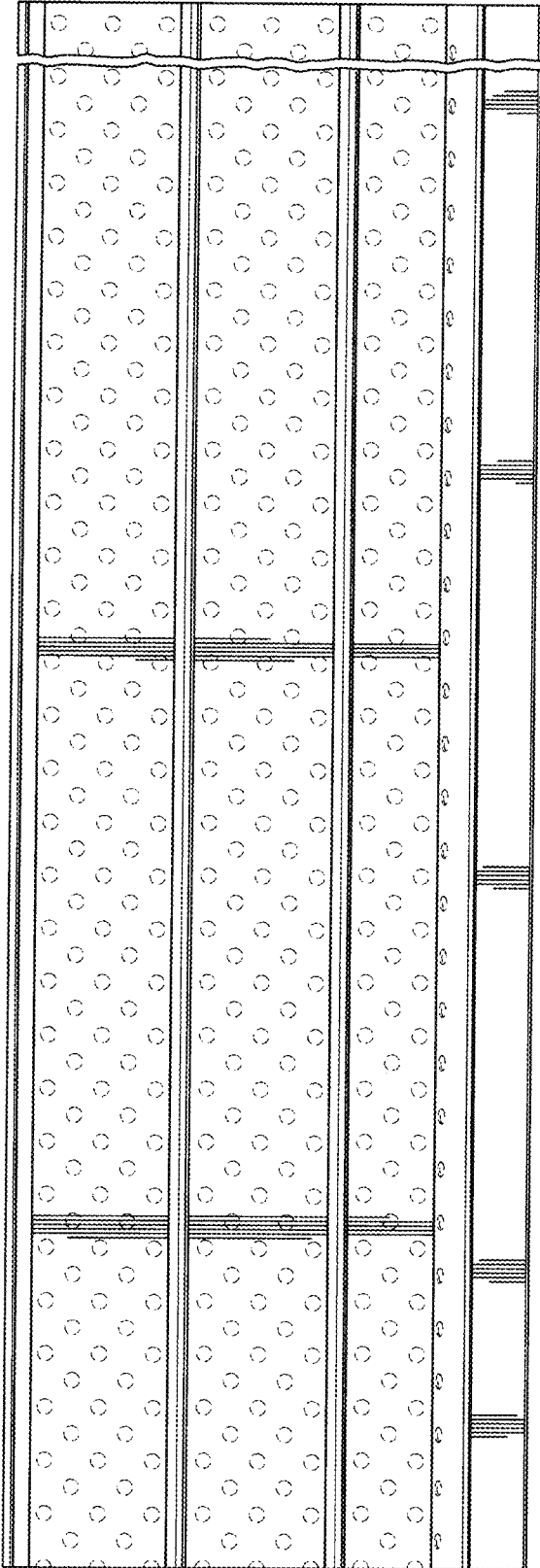


Fig. 4

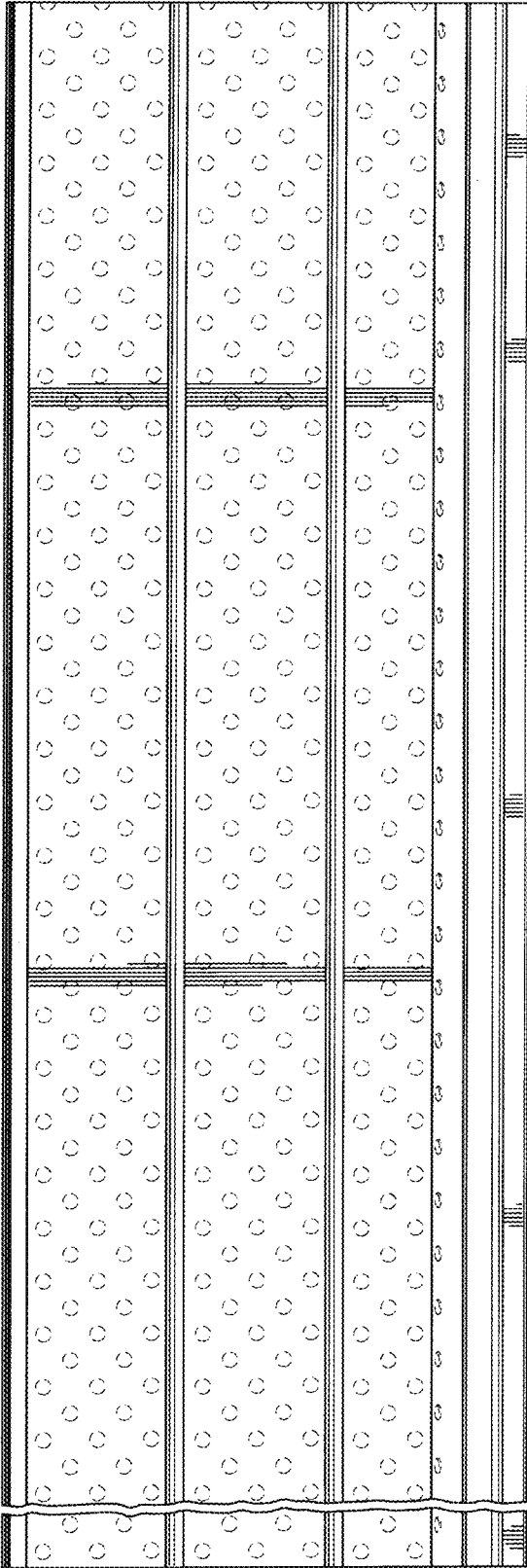


Fig. 5



Fig. 6



Fig. 7



Fig. 8



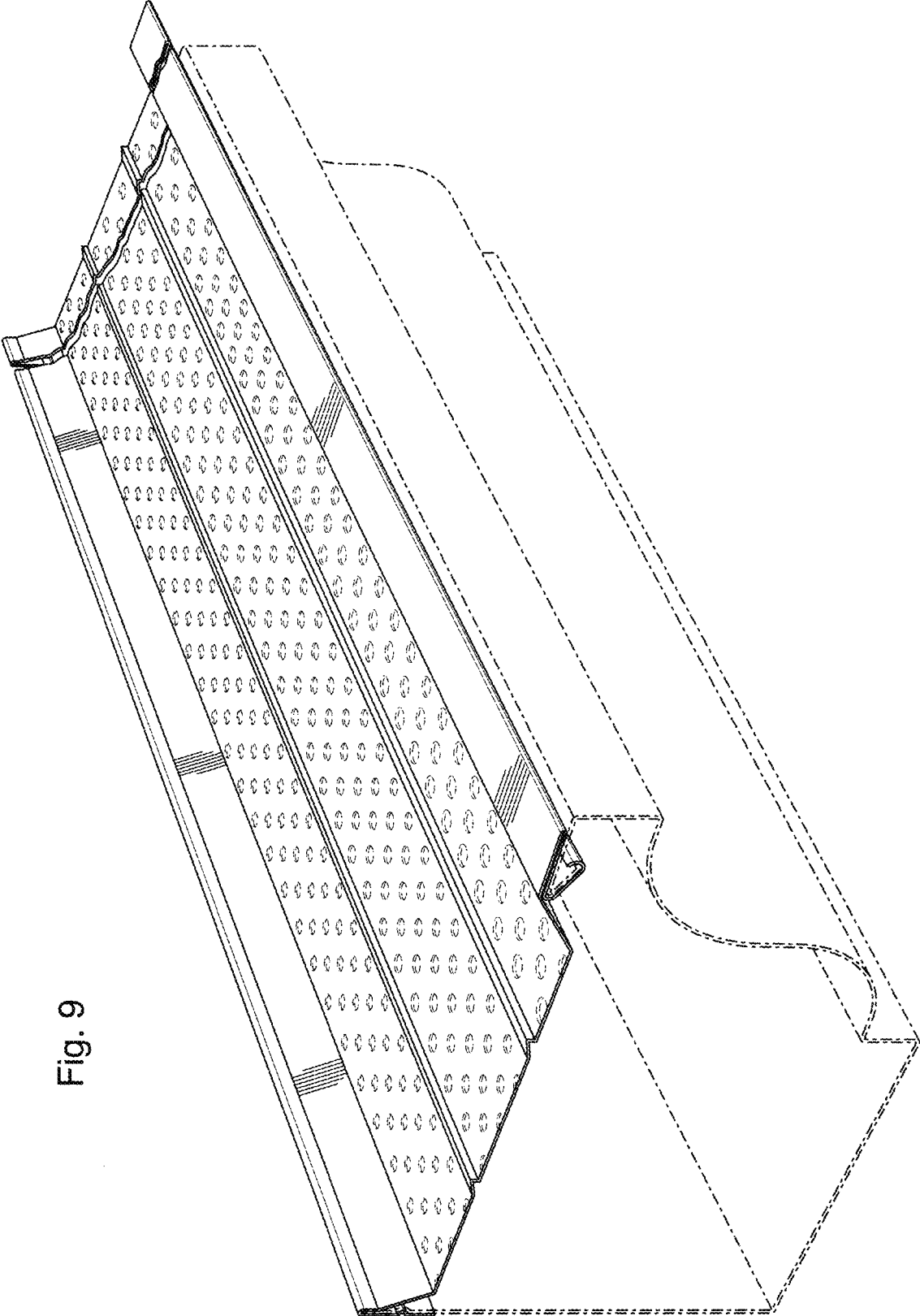


Fig. 9