



US00D764922S

(12) **United States Design Patent**
Eble

(10) **Patent No.:** **US D764,922 S**

(45) **Date of Patent:** **** Aug. 30, 2016**

(54) **CONTAINER**

(71) Applicant: **Pretium Packaging, L.L.C.**,
Chesterfield, MO (US)

(72) Inventor: **Raymond C. Eble**, Sugarloaf, PA (US)

(73) Assignee: **Pretium Packaging, L.L.C.**,
Chesterfield, MO (US)

(**) Term: **15 Years**

(21) Appl. No.: **29/534,680**

(22) Filed: **Jul. 30, 2015**

Related U.S. Application Data

(62) Division of application No. 29/439,684, filed on Dec. 13, 2012, now Pat. No. Des. 735,581.

(51) **LOC (10) Cl.** **09-01**

(52) **U.S. Cl.**
USPC **D9/559**; D9/520; D9/541; D9/569;
D9/571; D9/574

(58) **Field of Classification Search**
USPC D9/772-774, 768, 771, 777, 782, 516,
D9/529-530, 537-546, 552, 556, 559-561,
D9/565, 567, 569, 571-575, 414;
215/381-385; D7/509-511, 531, 598
See application file for complete search history.

(56) **References Cited**

U.S. PATENT DOCUMENTS

D19,762 S	4/1890	Meinecke	
D42,965 S	9/1912	Guidry	
D44,764 S	10/1913	Haley	
D70,732 S *	8/1926	Dengler et al.	D9/556
D86,118 S	1/1931	Fuerst	
D87,167 S	4/1932	Noble	
D110,034 S *	6/1938	Reynolds	D9/546
D125,920 S	1/1941	Lundy	
D177,493 S *	4/1956	Burnside	D9/558 X

D201,400 S	6/1965	Kneeland	
D303,086 S	8/1989	Rothfos	
D306,399 S	3/1990	Rumney	
D318,422 S *	7/1991	Rumney	D9/559
D367,613 S	3/1996	Weiler	
D380,387 S *	7/1997	Weiler	D9/559 X
D418,760 S	1/2000	Blank	
D445,339 S	7/2001	Bazlur	
D446,729 S	8/2001	Renella et al.	
D467,507 S *	12/2002	Bryant	D9/572 X
D467,813 S	12/2002	Silvers et al.	
D470,058 S *	2/2003	Bryant	D9/516
D479,992 S	9/2003	Gehring et al.	
D495,602 S *	9/2004	Daly	D9/538 X
D529,389 S	10/2006	Trude	
D539,661 S	4/2007	Eble	
D542,136 S	5/2007	Lilico	
D580,271 S *	11/2008	Tsai	D9/542
7,472,798 B2 *	1/2009	Stowitts	B65D 1/0223 215/381
D597,409 S *	8/2009	Ruybal	D9/529

(Continued)

Primary Examiner — Carol P Rademaker

(74) *Attorney, Agent, or Firm* — Lewis Rice LLC

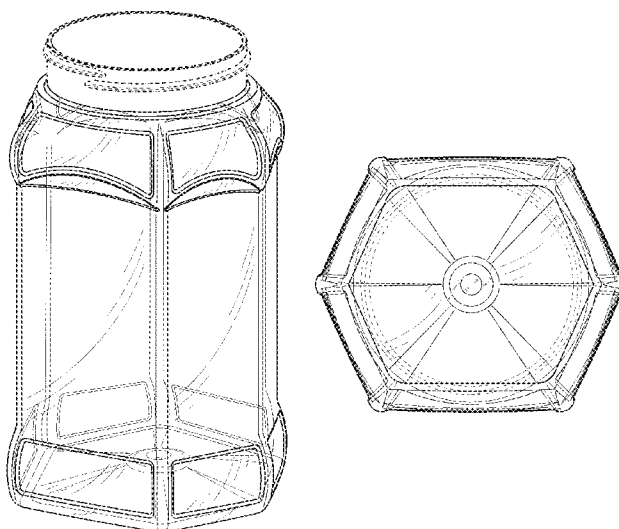
(57) **CLAIM**

The ornamental design for a container, as shown and described.

DESCRIPTION

FIG. 1 is a top, front, right side perspective view of a container;
FIG. 2 is a front elevational view thereof
FIG. 3 is a rear elevational view thereof;
FIG. 4 is a right side elevational view thereof;
FIG. 5 is a left side elevational view thereof;
FIG. 6 is a top plan view thereof; and,
FIG. 7 is a bottom plan view thereof.
The broken lines shown in the drawings are included for the purpose of illustrating portions of the container that form no part of the claimed design.

1 Claim, 7 Drawing Sheets



US D764,922 S

Page 2

(56)

References Cited

U.S. PATENT DOCUMENTS

D600,122 S	9/2009	Strasser et al.					
D612,740 S	3/2010	Leone					
D628,085 S *	11/2010	Hanak	D9/541 X				
D638,717 S	5/2011	Schulman et al.					
D644,515 S *	9/2011	Tieleman	D9/574 X				
D657,686 S *	4/2012	Veuger	D9/559				
D658,068 S	4/2012	Nawrocki					
D661,199 S	6/2012	Bennett					
D663,624 S	7/2012	Eble					
8,602,237 B2 *	12/2013	Wurster				B65D 79/005	
						215/383 X	
8,662,332 B2 *	3/2014	Wurster				B65D 1/0246	
						215/382 X	
D701,769 S	4/2014	Eble					

* cited by examiner

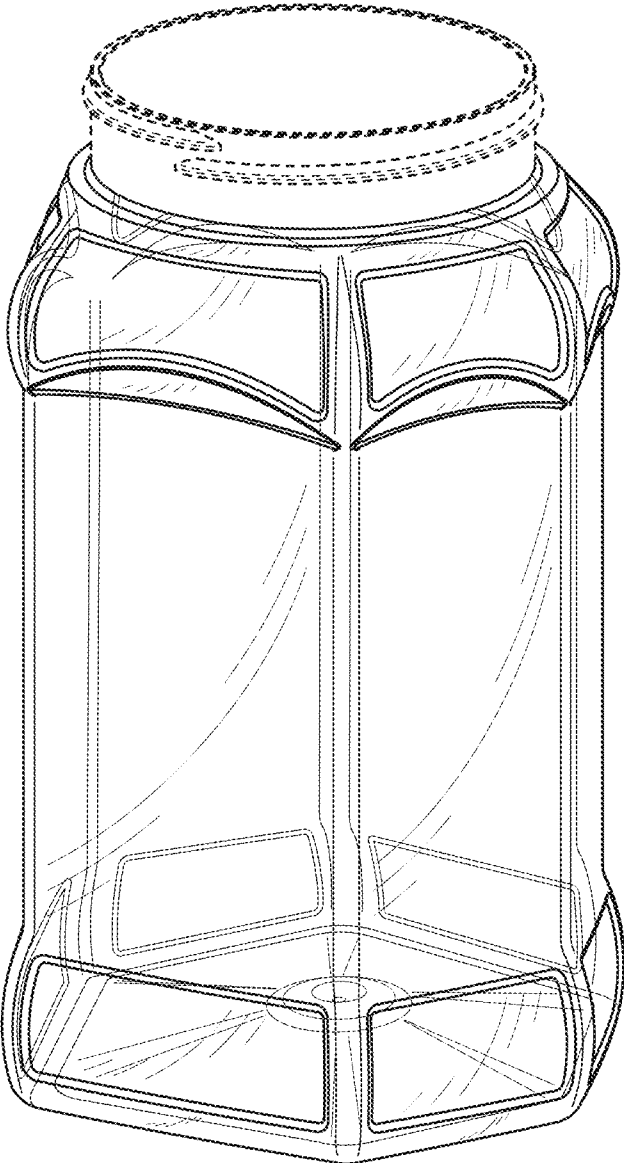


FIG. 1

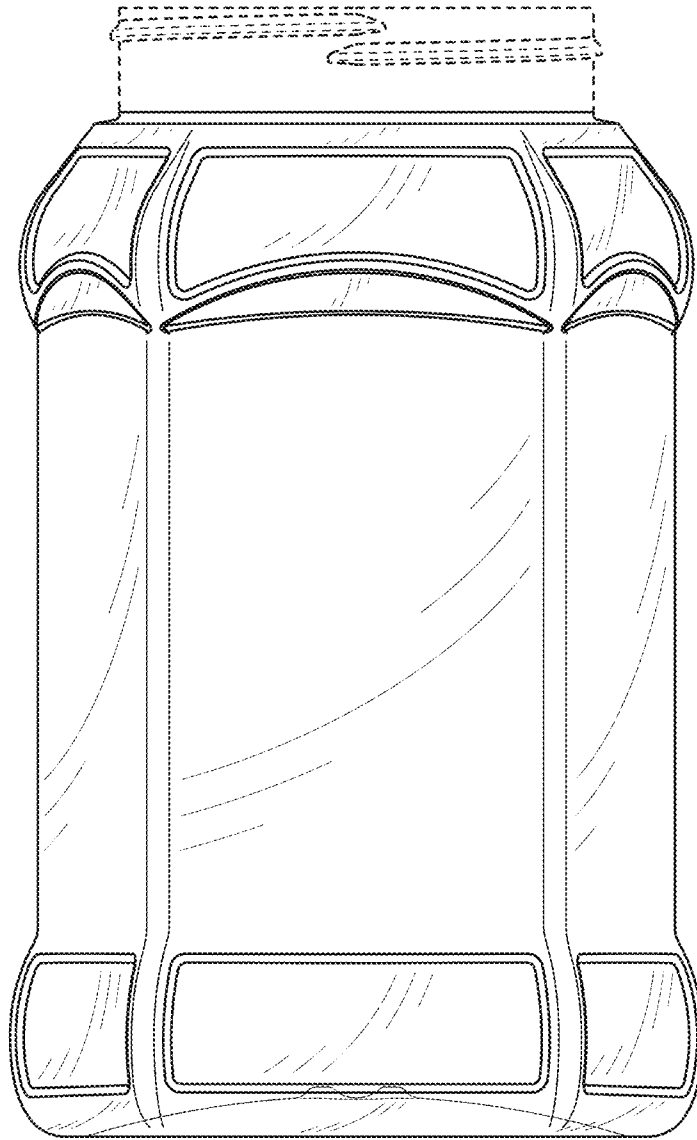


FIG. 2

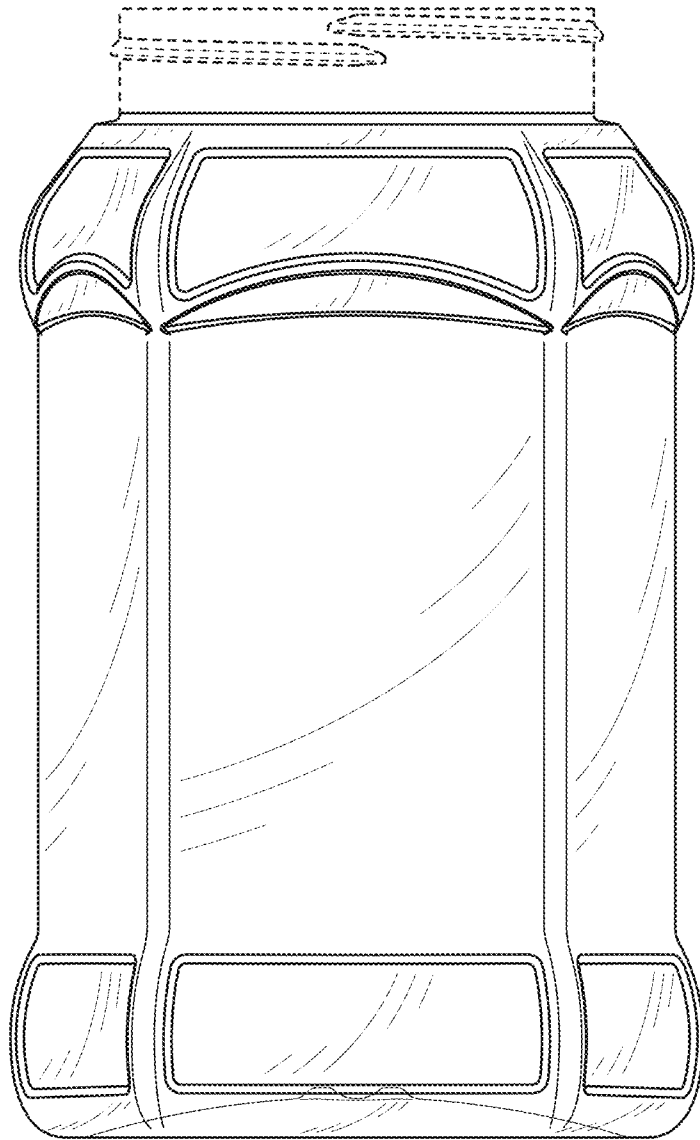


FIG. 3

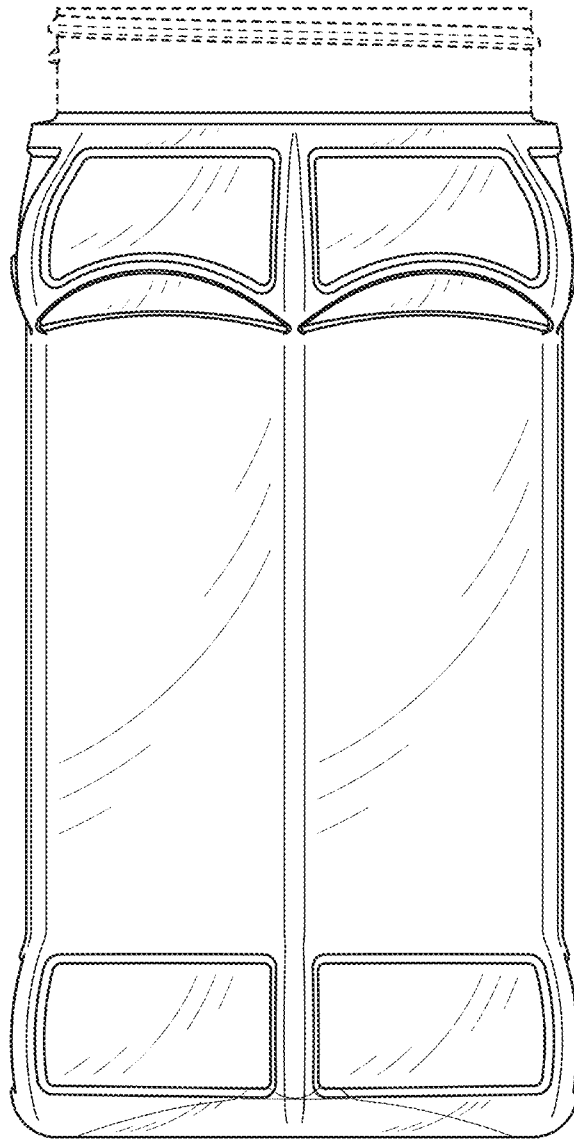


FIG. 4

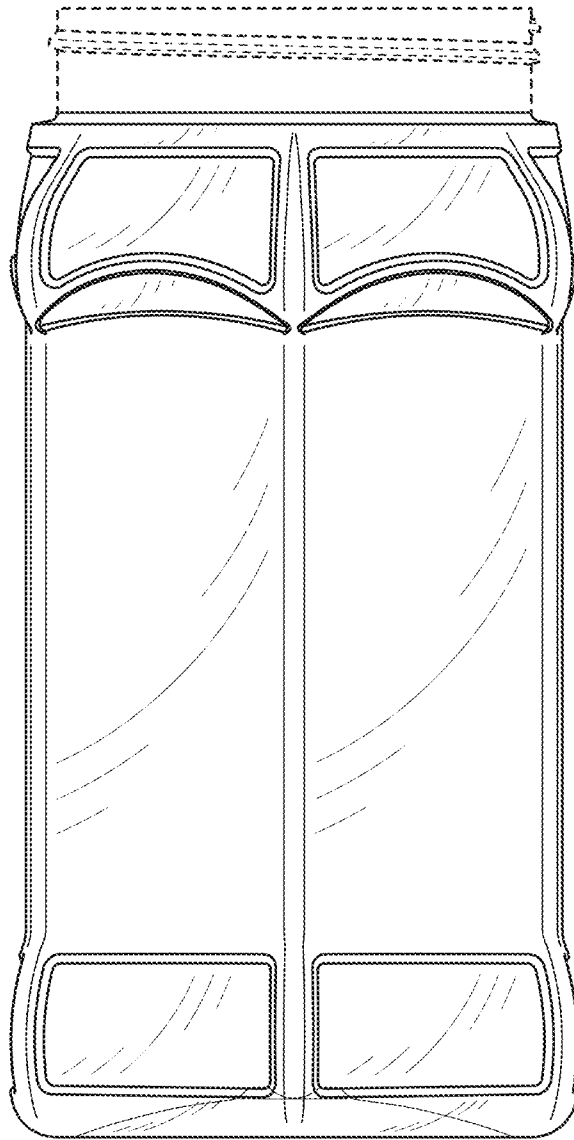


FIG. 5

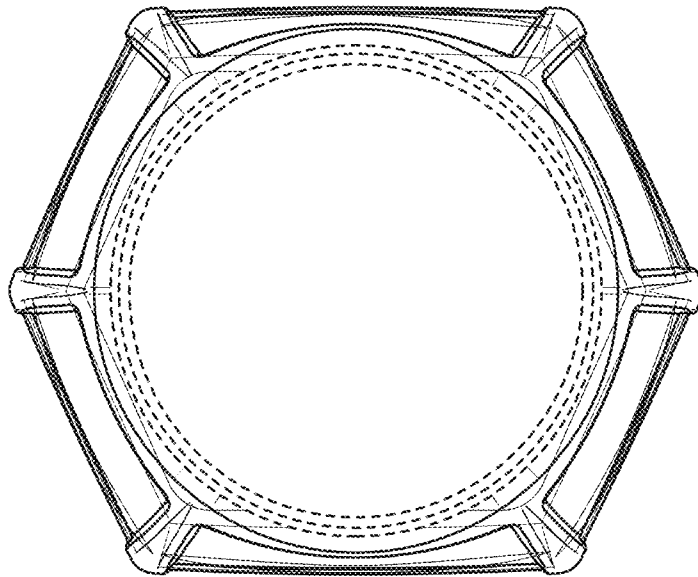


FIG. 6

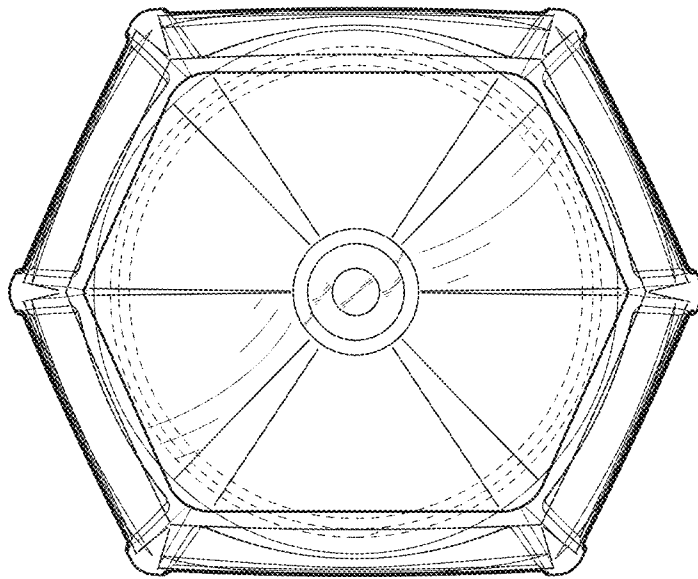


FIG. 7