



US00D931061S

(12) **United States Design Patent**
Ferrada

(10) **Patent No.:** **US D931,061 S**

(45) **Date of Patent:** **** Sep. 21, 2021**

(54) **EGG RACK**

(71) Applicant: **Lifetime Brands, Inc.**, Garden City, NY (US)

(72) Inventor: **Bradley Ferrada**, Forest Hills, NY (US)

(73) Assignee: **Lifetime Brands, Inc.**, Garden City, NY (US)

(**) Term: **15 Years**

(21) Appl. No.: **29/689,081**

(22) Filed: **Apr. 26, 2019**

(51) **LOC (13) Cl.** **07-01**

(52) **U.S. Cl.**
USPC **D7/611**

(58) **Field of Classification Search**
USPC D7/611, 402, 408, 409, 669, 672, 667,
D7/213, 387, 388, 389; D19/37, 40;
D11/117, 125, 131, 132, 133, 140;
D21/455

CPC .. A47F 5/01; A47F 5/02; F16M 11/00; A47G
23/06

See application file for complete search history.

(56) **References Cited**

U.S. PATENT DOCUMENTS

1,308,482 A * 7/1919 Cohn A21B 3/132
220/23.2
D160,379 S * 10/1950 Finch D7/611
D170,663 S * 10/1953 Smith D7/611
D306,073 S * 2/1990 Klitsner D21/468

D479,433 S * 9/2003 Ancona D7/213
D584,824 S * 1/2009 Berglund D24/199
D592,448 S * 5/2009 Goodman D7/388
8,152,012 B1 * 4/2012 Berglund A61J 9/0623
215/396
D702,488 S * 4/2014 Goodman D7/388
D844,398 S * 4/2019 Goulet Dubois A61J 9/0623
D7/676
D848,778 S * 5/2019 Szymanski A21B 3/132
D7/357
D848,779 S * 5/2019 Szymanski D7/357
D874,870 S * 2/2020 Parker D7/388
D882,345 S * 4/2020 Mor D7/611

* cited by examiner

Primary Examiner — Susan E Krakower

Assistant Examiner — Andrew Kerr

(74) *Attorney, Agent, or Firm* — Tutunjian & Bitetto, P.C.

(57) **CLAIM**

The ornamental design for an egg rack, as shown and described.

DESCRIPTION

FIG. 1 is a perspective view of an egg rack showing my new design;

FIG. 2 is a top plan view thereof;

FIG. 3 is a bottom plan view thereof;

FIG. 4 is front elevation view thereof;

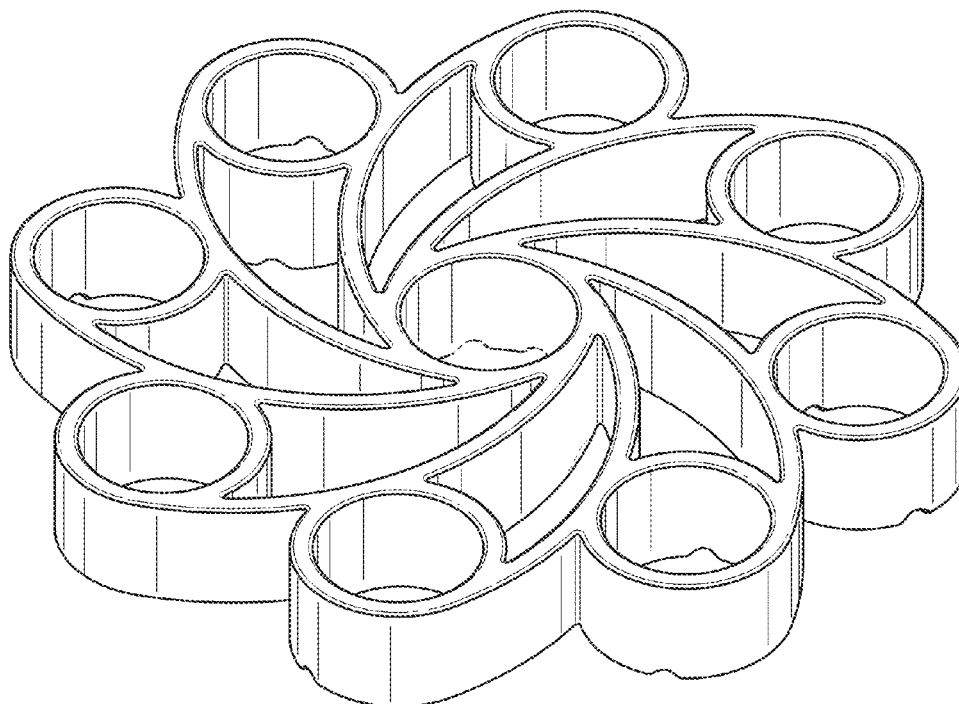
FIG. 5 is a right side elevation view thereof;

FIG. 6 is a rear elevation view thereof; and,

FIG. 7 is a left side elevation view thereof.

The broken lines in the drawing depict structure that does not form part of the claimed design.

1 Claim, 4 Drawing Sheets



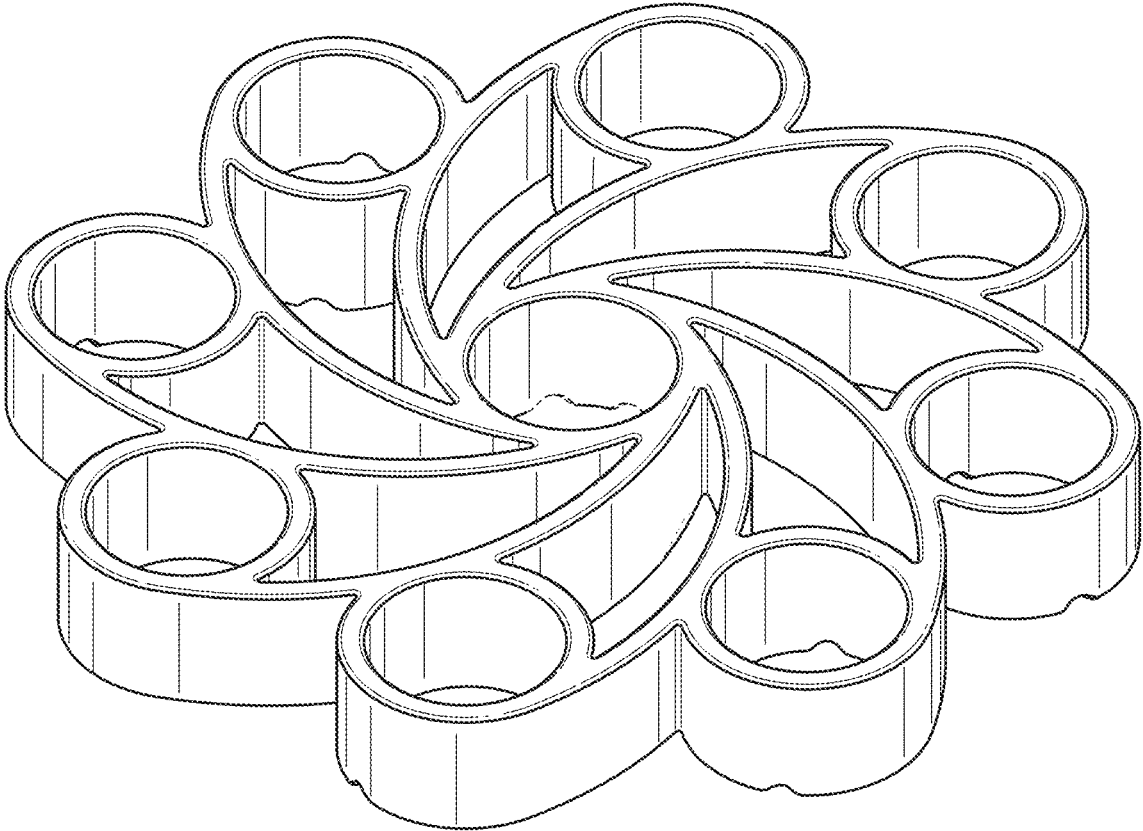


FIG. 1

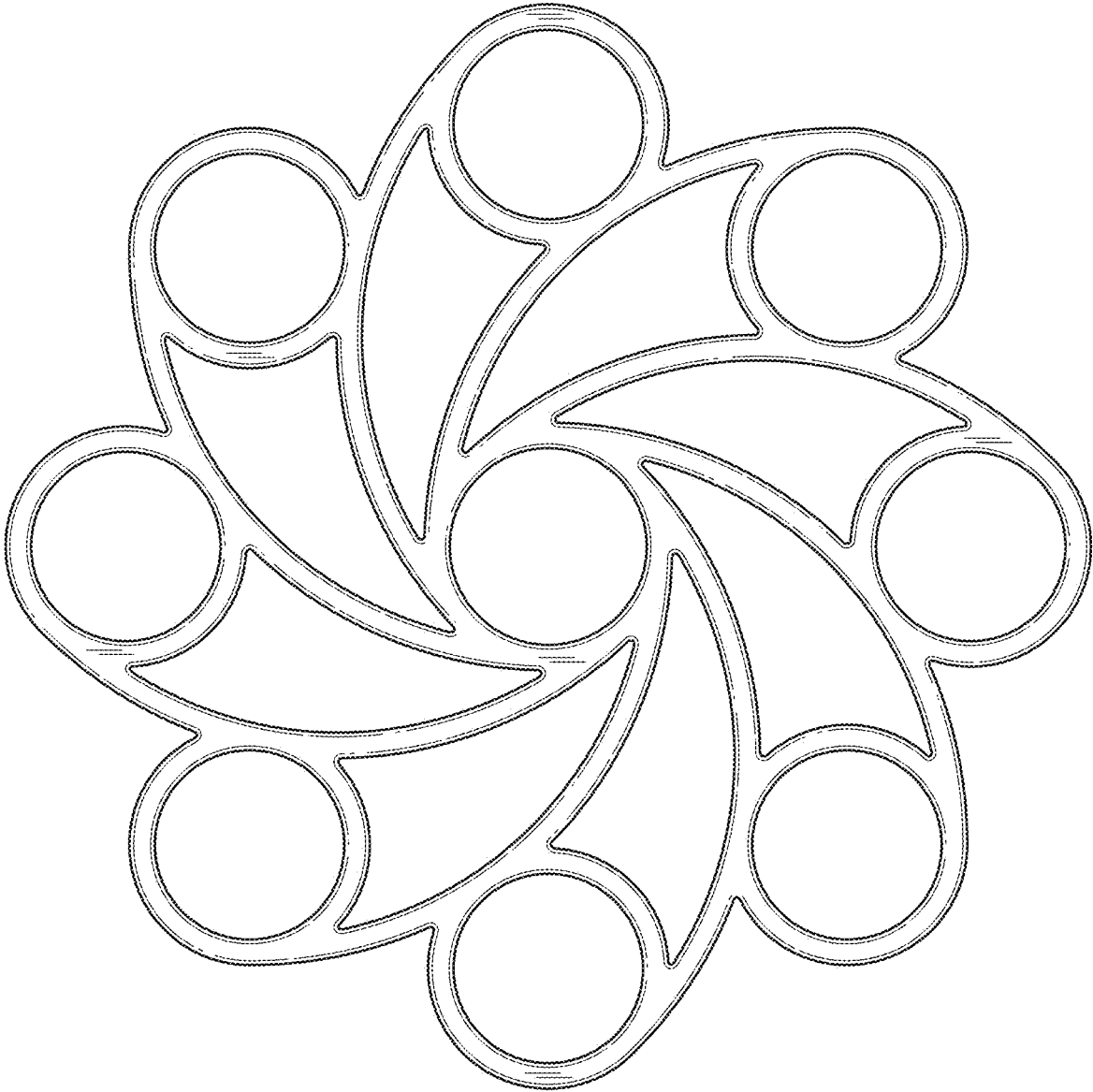


FIG. 2

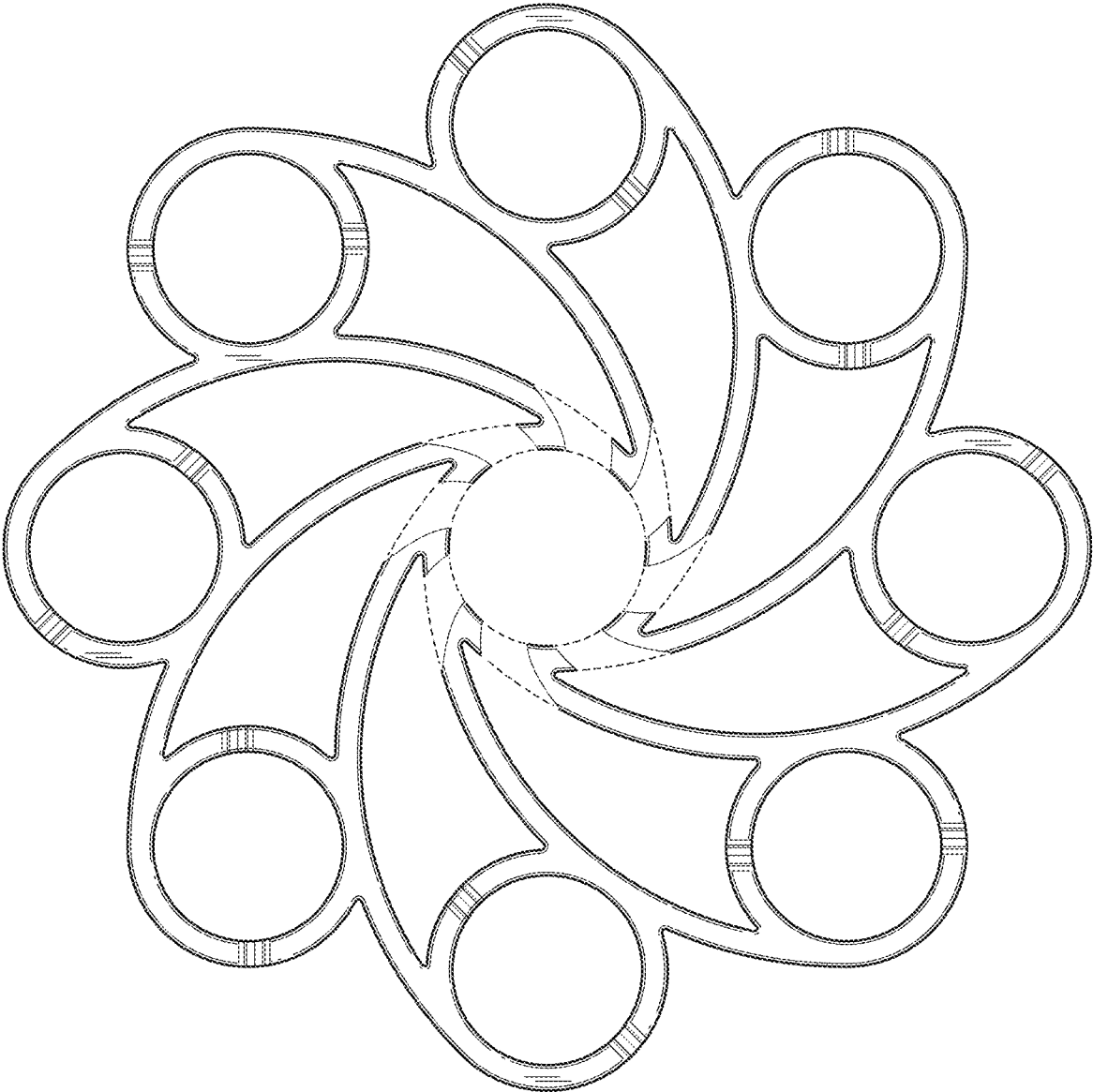


FIG. 3

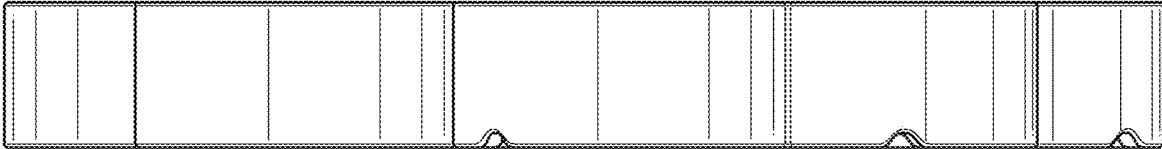


FIG. 4

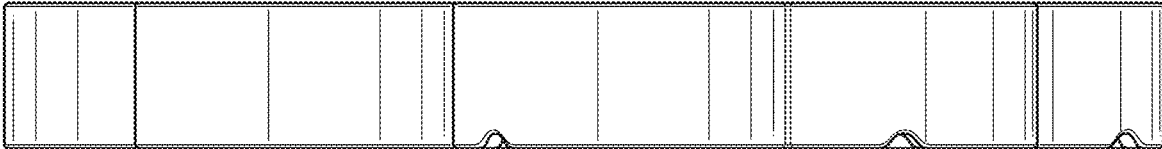


FIG. 5

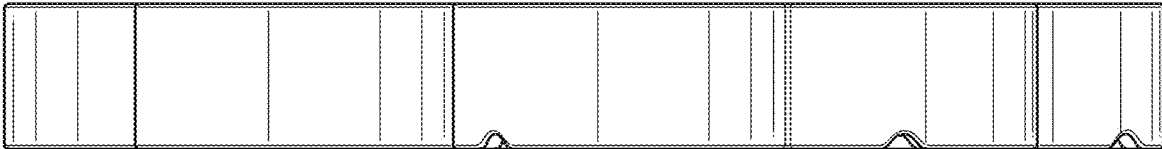


FIG. 6

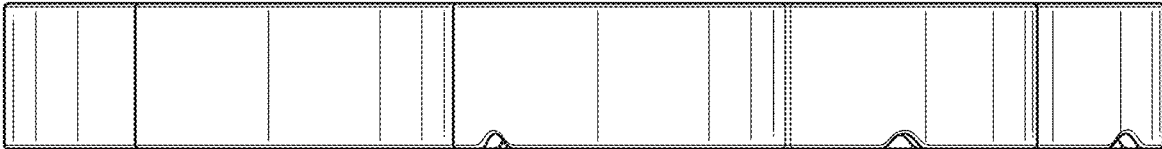


FIG. 7