

(19) World Intellectual Property Organization
International Bureau



(43) International Publication Date
24 December 2008 (24.12.2008)

PCT

(10) International Publication Number
WO 2008/157698 A3

- (51) International Patent Classification:
B23Q 1/00 (2006.01)
- (21) International Application Number:
PCT/US2008/067509
- (22) International Filing Date: 19 June 2008 (19.06.2008)
- (25) Filing Language: English
- (26) Publication Language: English
- (30) Priority Data:
60/945,017 19 June 2007 (19.06.2007) US
- (71) Applicant (for all designated States except US): **PHD, INC.** [US/US]; P.O. Box 9070, Fort Wayne, IN 46899 (US).
- (72) Inventor; and
- (75) Inventor/Applicant (for US only): **MCINTOSH, Bruce, D.** [US/US]; 13380 Figel Road, Monroeville, IN 46773 (US).
- (74) Agent: **CONARD, Richard, D.**; Barnes & Thornburg LLP, 11 South Meridian Street, Indianapolis, IN 46204 (US).
- (81) Designated States (unless otherwise indicated, for every kind of national protection available): AE, AG, AL, AM, AO, AT, AU, AZ, BA, BB, BG, BH, BR, BW, BY, BZ, CA, CH, CN, CO, CR, CU, CZ, DE, DK, DM, DO, DZ, EC, EE, EG, ES, FI, GB, GD, GE, GH, GM, GT, HN, HR, HU, ID, IL, IN, IS, JP, KE, KG, KM, KN, KP, KR, KZ, LA, LC, LK, LR, LS, LT, LU, LY, MA, MD, ME, MG, MK, MN, MW, MX, MY, MZ, NA, NG, NI, NO, NZ, OM, PG, PH, PL, PT, RO, RS, RU, SC, SD, SE, SG, SK, SL, SM, SV, SY, TJ, TM, TN, TR, TT, TZ, UA, UG, US, UZ, VC, VN, ZA, ZM, ZW.
- (84) Designated States (unless otherwise indicated, for every kind of regional protection available): ARIPO (BW, GH, GM, KE, LS, MW, MZ, NA, SD, SL, SZ, TZ, UG, ZM, ZW), Eurasian (AM, AZ, BY, KG, KZ, MD, RU, TJ, TM), European (AT, BE, BG, CH, CY, CZ, DE, DK, EE, ES, FI, FR, GB, GR, HR, HU, IE, IS, IT, LT, LU, LV, MC, MT, NL, NO, PL, PT, RO, SE, SI, SK, TR), OAPI (BF, BJ, CF, CG, CI, CM, GA, GN, GQ, GW, ML, MR, NE, SN, TD, TG).

[Continued on next page]

(54) Title: PIN CLAMP ASSEMBLY

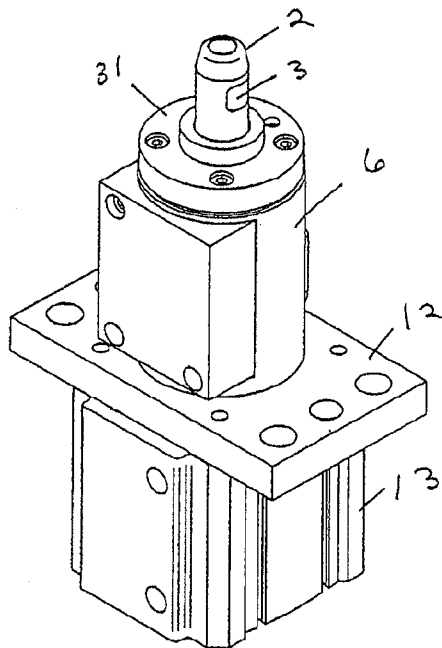


FIG. 1

(57) Abstract: A pin clamp assembly having a body, a locating pin, an actuator, a drive rod, a cam, and a finger is provided. The locating pin is coupled to the body and movable between extended and retracted positions. The drive rod is movable relative to the locating pin. The cam is movable relative to the locating pin and the drive rod. The finger is coupled to the drive rod and movable between extended and retracted positions. Actuation of the actuator causes the drive rod to move which extends the finger without moving the locating pin. Also, continued retraction of the drive rod after the finger has extended causes the cam to move out from the slot in the body to allow the locating pin to retract.

WO 2008/157698 A3



Declarations under Rule 4.17:

- *as to applicant's entitlement to apply for and be granted a patent (Rule 4.17(ii))*
- *as to the applicant's entitlement to claim the priority of the earlier application (Rule 4.17(iii))*

Published:

- *with international search report*

(88) Date of publication of the international search report:
19 February 2009

INTERNATIONAL SEARCH REPORT

International application No.

PCT/US 08/67509

A. CLASSIFICATION OF SUBJECT MATTER IPC(8) - B23Q 1/00 (2008.04) USPC - 269/54 According to International Patent Classification (IPC) or to both national classification and IPC		
B. FIELDS SEARCHED Minimum documentation searched (classification system followed by classification symbols) IPC(8) - B23Q 1/00 (2008.04) USPC - 269/54 Documentation searched other than minimum documentation to the extent that such documents are included in the fields searched USPC - 024/ 455, 489; 269/47, 53, 55, 91, 216, 303; 439/328 (text search - see terms below) Electronic data base consulted during the international search (name of data base and, where practicable, search terms used) PubWEST(USPT,PGPB,EPAB,JPAB); Google Scholar; Google Patents Search Terms: pin, clamp, locating, cam, actuator, piston, drive, rod, lock, sensor, spring, stop, member, set, screw, finger, second		
C. DOCUMENTS CONSIDERED TO BE RELEVANT		
Category*	Citation of document, with indication, where appropriate, of the relevant passages	Relevant to claim No.
X --- Y	US 2007/0069439 A1 (McIntosh et al.) 29 March 2007 (29.03.2007), Fig 3a and 22(a)-(f), para [0035, [0037]-[0038], [0049], [0057] and [0059]	17-18 ----- 1-16
Y	US 7,182,326 B2 (McIntosh et al.) 27 February 2007 (27.02.2007), Fig 2, col 5, ln 26-28	1-16
Y	US 4,723,767 A (McPherson et al.) 09 February 1988 (09.02.1988), col 3, ln 63-67	8-15
<input type="checkbox"/> Further documents are listed in the continuation of Box C. <input type="checkbox"/>		
* Special categories of cited documents: "A" document defining the general state of the art which is not considered to be of particular relevance "E" earlier application or patent but published on or after the international filing date "L" document which may throw doubts on priority claim(s) or which is cited to establish the publication date of another citation or other special reason (as specified) "O" document referring to an oral disclosure, use, exhibition or other means "P" document published prior to the international filing date but later than the priority date claimed "T" later document published after the international filing date or priority date and not in conflict with the application but cited to understand the principle or theory underlying the invention "X" document of particular relevance; the claimed invention cannot be considered novel or cannot be considered to involve an inventive step when the document is taken alone "Y" document of particular relevance; the claimed invention cannot be considered to involve an inventive step when the document is combined with one or more other such documents, such combination being obvious to a person skilled in the art "&" document member of the same patent family		
Date of the actual completion of the international search 23 September 2008 (23.09.2008)		Date of mailing of the international search report 29 SEP 2009
Name and mailing address of the ISA/US Mail Stop PCT, Attn: ISA/US, Commissioner for Patents P.O. Box 1450, Alexandria, Virginia 22313-1450 Facsimile No. 571-273-3201		Authorized officer: Lee W. Young PCT Helpdesk: 571-272-4300 PCT OSP: 571-272-7774