



(51) International Patent Classification:

H04W 4/00 (2009.01) H04W 72/04 (2009.01)
H04W 28/02 (2009.01) H04W 72/12 (2009.01)

(21) International Application Number:

PCT/FI2016/050258

(22) International Filing Date:

20 April 2016 (20.04.2016)

(25) Filing Language:

English

(26) Publication Language:

English

(30) Priority Data:

62/161,422 14 May 2015 (14.05.2015) US

(71) Applicant: NOKIA TECHNOLOGIES OY [FI/FI];
Karaportti 3, 02610 Espoo (FI).

(72) Inventors: ZHANG, Yuantao; Room 3502, Building JIA4, Hepingli Yi Area, Dongcheng District, Beijing, 100012 (CN). RATASUK, Rapeepat; 4250 Forest Glen Dr., Hoffman Estates, Illinois 60192 (US). YAO, Chun Hai; Room 602, Building No. 125, Nanhuzhongyuan, Chaoyang District, Beijing, 100102 (CN). ZHANG, Yan Ji; Flat 1507, 15th floor, Building 2, Ji Li Garden, No. 20 Shao Yao Ju Road, Chao Yang District, Beijing, 100029 (CN).

(74) Agents: NOKIA TECHNOLOGIES OY et al.; Ari Aarnio, IPR Department, Karakaari 7, 02610 Espoo (FI).

(81) Designated States (unless otherwise indicated, for every kind of national protection available): AE, AG, AL, AM, AO, AT, AU, AZ, BA, BB, BG, BH, BN, BR, BW, BY, BZ, CA, CH, CL, CN, CO, CR, CU, CZ, DE, DK, DM, DO, DZ, EC, EE, EG, ES, FI, GB, GD, GE, GH, GM, GT, HN, HR, HU, ID, IL, IN, IR, IS, JP, KE, KG, KN, KP, KR, KZ, LA, LC, LK, LR, LS, LU, LY, MA, MD, ME, MG, MK, MN, MW, MX, MY, MZ, NA, NG, NI, NO, NZ, OM, PA, PE, PG, PH, PL, PT, QA, RO, RS, RU, RW, SA, SC, SD, SE, SG, SK, SL, SM, ST, SV, SY, TH, TJ, TM, TN, TR, TT, TZ, UA, UG, US, UZ, VC, VN, ZA, ZM, ZW.

(84) Designated States (unless otherwise indicated, for every kind of regional protection available): ARIPO (BW, GH, GM, KE, LR, LS, MW, MZ, NA, RW, SD, SL, ST, SZ, TZ, UG, ZM, ZW), Eurasian (AM, AZ, BY, KG, KZ, RU, TJ, TM), European (AL, AT, BE, BG, CH, CY, CZ, DE, DK, EE, ES, FI, FR, GB, GR, HR, HU, IE, IS, IT, LT, LU, LV, MC, MK, MT, NL, NO, PL, PT, RO, RS, SE, SI, SK, SM, TR), OAPI (BF, BJ, CF, CG, CI, CM, GA, GN, GQ, GW, KM, ML, MR, NE, SN, TD, TG).

Published:

— with international search report (Art. 21(3))

(54) Title: METHOD, APPARATUS AND COMPUTER PROGRAM PRODUCT FOR DETERMINING TRANSMISSION PARAMETERS

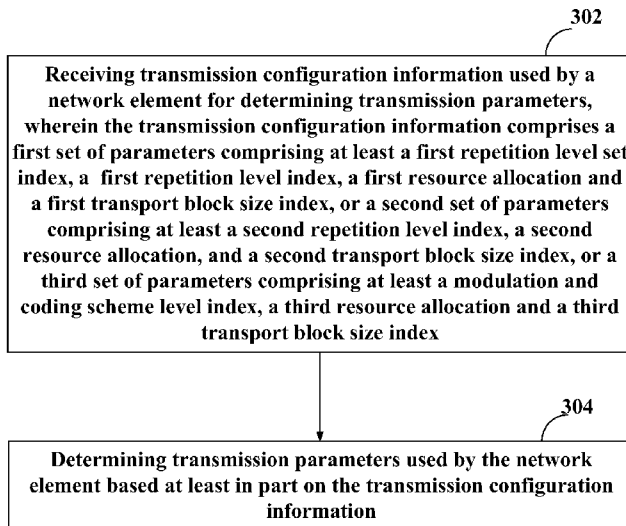
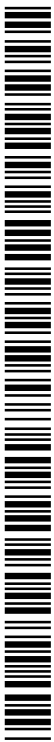


Figure 3

(57) Abstract: Methods, apparatus and computer program products are disclosed for determining transmission parameters in a wireless network. A method comprises: receiving transmission configuration information used by a network element for determining transmission parameters, wherein the transmission configuration information comprises a first set of parameters comprising at least a first repetition level set index, a first repetition level index, a first resource allocation and a first transport block size index, or a second set of parameters comprising at least a second repetition level index, a second resource allocation, and a second transport block size index, or a third set of parameters comprising at least a modulation and coding scheme level index, a third resource allocation and a third transport block size index (302); determining transmission parameters used by the network element based at least in part on the transmission configuration information (304).



**METHOD, APPARATUS AND COMPUTER PROGRAM PRODUCT FOR
DETERMINING TRANSMISSION PARAMETERS**

CROSS-REFERENCE TO RELATED APPLICATIONS:

- 5 [0001] This application claims priority from United States Provisional Application No. 62/161422, filed on May 14, 2015. The entire contents of this earlier filed application are hereby incorporated by reference in their entirety.

BACKGROUND:

Field:

- 10 [0002] Embodiments of the disclosure generally relate to wireless communications, and, more particularly, to determining transmission parameters in a wireless network.

Description of Related Art:

- [0003] In a wireless network, a network element may in control signaling or in other suitable ways indicate transmission parameters used by the network element to a mobile terminal.
- 15 For example, in current Long Term Evolution (LTE) system, for unicast transmission, an enhanced Node-B (eNB) would in the downlink control information (DCI) indicate a modulation and coding scheme (MCS) to the scheduled UE. The transmission parameters may include modulation and coding scheme, resource allocations, packet size and so on. The mobile terminal can then receive information transmitted by the network element according
- 20 to the transmission parameters. The network element may set the same or different transmission parameters for respective packets.

- [0004] For some kinds of wireless communication, such as LTE machine type communication (MTC), an eNB would allocate one or more (up to 6) Physical resource block (PRB) pairs in a specific 1.4MHz region in a starting subframe for a physical downlink
- 25 sharing channel (PDSCH) transmission, and repeat the PDSCH in the following multiple subframes. For a LTE MTC user equipment (UE) in coverage enhanced (CE) mode, the eNB would also allocate a repetition level to the UE, from which the UE knows how many

repetitions would be used for the PDSCH transmission. However, till now, how to notify a UE of this transmission parameter (i.e., the repetition level) in connection with other transmission configuration information is still under consideration. Furthermore, in case of transmitting the repetition level to a UE, it may require to redesign other transmission parameters such as transport block size (TBS).

[0005] Therefore, it is desirable to provide a flexible solution to notify UEs of this transmission parameter (i.e., the repetition level) in connection with other transmission configuration information to maximize the system performance.

SUMMARY:

[0006] This summary is provided to introduce a selection of concepts in a simplified form that are further described below in the detailed description. This summary is not intended to identify key features or essential features of the claimed subject matter, nor is it intended to be used to limit the scope of the claimed subject matter.

[0007] According to one aspect of the disclosure, it is provided a method for determining transmission parameters in a wireless network. The method comprises: transmitting transmission configuration information used by a network element to a mobile terminal for determining transmission parameters, wherein the transmission configuration information comprises a first set of parameters comprising at least a first repetition level set index, a first repetition level index, a first resource allocation and a first transport block size index, or a second set of parameters comprising at least a second repetition level index, a second resource allocation, and a second transport block size index, or a third set of parameters comprising at least a modulation and coding scheme level index, a third resource allocation and a third transport block size index.

[0008] According to another aspect of the disclosure, it is provided an apparatus for determining transmission parameters in a wireless network. The apparatus comprises: a transmitting means configured to transmit transmission configuration information used by

the apparatus to a mobile terminal for determining transmission parameters, wherein the transmission configuration information comprises a first set of parameters comprising at least a first repetition level set index, a first repetition level index, a first resource allocation and a first transport block size index, or a second set of parameters comprising at least a
5 second repetition level index, a second resource allocation, and a second transport block size index, or a third set of parameters comprising at least a modulation and coding scheme level index, a third resource allocation and a third transport block size index.

[0009] According to still another aspect of the disclosure, it is provided an apparatus for determining transmission parameters in a wireless network. The apparatus comprises: at
10 least one processor; and at least one memory including computer program code, wherein the at least one memory and the computer program code are configured to, with the at least one processor, cause the apparatus to transmit transmission configuration information used by the apparatus to a mobile terminal for determining transmission parameters, wherein the transmission configuration information comprises a first set of parameters comprising at
15 least a first repetition level set index, a first repetition level index, a first resource allocation and a first transport block size index, or a second set of parameters comprising at least a second repetition level index, a second resource allocation, and a second transport block size index, or a third set of parameters comprising at least a modulation and coding scheme level index, a third resource allocation and a third transport block size index.

20 [0010] According to still another aspect of the present disclosure, it is provided a computer program product comprising at least one non-transitory computer-readable storage medium having computer-executable program instructions stored therein, the computer-executable instructions being configured to, when being executed, cause an apparatus to operate as described above.

25 [0011] According to still another aspect of the disclosure, it is provided a method for determining transmission parameters in a wireless network. The method comprises: receiving transmission configuration information used by a network element for determining

transmission parameters, wherein the transmission configuration information comprises a first set of parameters comprising at least a first repetition level set index, a first repetition level index, a first resource allocation and a first transport block size index, or a second set of parameters comprising at least a second repetition level index, a second resource allocation, and a second transport block size index, or a third set of parameters comprising at least a modulation and coding scheme level index, a third resource allocation and a third transport block size index; and determining transmission parameters used by the network element based at least in part on the transmission configuration information.

[0012] According to still another aspect of the disclosure, it is provided an apparatus for determining transmission parameters in a wireless network. The apparatus comprises: a receiving means configured to receive transmission configuration information used by a network element for determining transmission parameters, wherein the transmission configuration information comprises a first set of parameters comprising at least a first repetition level set index, a first repetition level index, a first resource allocation and a first transport block size index, or a second set of parameters comprising at least a second repetition level index, a second resource allocation, and a second transport block size index, or a third set of parameters comprising at least a modulation and coding scheme level index, a third resource allocation and a third transport block size index; and a determining means configured to determine transmission parameters used by the network element based at least in part on the transmission configuration information.

[0013] According to still another aspect of the disclosure, it is provided an apparatus for determining transmission parameters in a wireless network. The apparatus comprises: at least one processor; and at least one memory including computer program code, wherein the at least one memory and the computer program code are configured to, with the at least one processor, cause the apparatus to receive transmission configuration information used by a network element for determining transmission parameters, wherein the transmission configuration information comprises a first set of parameters comprising at least a first

repetition level set index, a first repetition level index, a first resource allocation and a first transport block size index, or a second set of parameters comprising at least a second repetition level index, a second resource allocation, and a second transport block size index, or a third set of parameters comprising at least a modulation and coding scheme level index, a third resource allocation and a third transport block size index; and determine transmission parameters used by the network element based at least in part on the transmission configuration information.

[0014] According to still another aspect of the present disclosure, it is provided a computer program product comprising at least one non-transitory computer-readable storage medium having computer-executable program instructions stored therein, the computer-executable instructions being configured to, when being executed, cause an apparatus to operate as described above.

[0015] These and other objects, features and advantages of the disclosure will become apparent from the following detailed description of illustrative embodiments, which are to be read in connection with the accompanying drawings.

BRIEF DESCRIPTION OF THE DRAWINGS:

[0016] Figure 1 is a simplified block diagram illustrating a wireless system according to an embodiment;

[0017] Figure 2 is a diagram depicting the process of transmitting transmission configuration information in a wireless network according to an embodiment;

[0018] Figure 3 is a diagram depicting the process of determining transmission parameters according to an embodiment;

[0019] Figure 4 is a simplified block diagram illustrating an apparatus according to an embodiment; and

[0020] Figure 5 is a simplified block diagram illustrating an apparatus according to another embodiment.

DETAILED DESCRIPTION:

[0021] For the purpose of explanation, details are set forth in the following description in order to provide a thorough understanding of the embodiments disclosed. It is apparent, however, to those skilled in the art that the embodiments may be implemented without these specific details or with an equivalent arrangement.

[0022] Figure 1 shows a wireless system according to an embodiment. While this and other embodiments below are primarily discussed in the context of a LTE system for machine type communication (MTC), it will be recognized by those of ordinary skill that the disclosure is not so limited. In fact, the various aspects of this disclosure are useful in any wireless network that can benefit from the determination of transmission parameters as is described herein, such as CDMA, TDMA, FDMA, OFDMA, SC-FDMA and other networks. The terms "network" and "system" are often used interchangeably. A CDMA network may implement a radio technology such as Universal Terrestrial Radio Access (UTRA), cdma1000, etc. UTRA includes Wideband CDMA (WCDMA) and other variants of CDMA. CDMA1000 covers IS-1000, IS-95 and IS-856 standards. A TDMA network may implement a radio technology such as Global System for Mobile Communications (GSM). An OFDMA network may implement a radio technology such as Evolved UTRA (E-UTRA), Ultra Mobile Broadband (UMB), IEEE 802.11 (Wi-Fi), IEEE 802.16 (WiMAX), IEEE 802.20, Flash-OFDMA, Ad-hoc network, etc.

[0023] As shown in Figure 1, the wireless system comprises a network element 200 such as an eNB and a plurality of UEs (mobile terminals) 100 such as LTE MTC UEs. The network element 200 refers to function elements on the network side as compared to the mobile terminals. For example, the network element 200 may comprise an eNB. The solid lines with double arrows indicate desired transmissions between the mobile terminals and the network

element on the downlink and uplink. It is well known that a cellular radio system comprises a network of radio cells each served by a transmitting station, known as a cell site or base transceiver station. The radio network provides wireless communications service for a plurality of transceivers (in most cases mobile). The network of network elements working
5 in collaboration allows for wireless service which is greater than the radio coverage provided by a single network element. The individual network element is connected by another network (in many cases a wired network, not shown), which includes additional controllers for resource management and in some cases access to other network systems (such as the Internet) or MANs.

10 [0024] As used herein, the terms “user equipment” and “mobile terminal” are interchangeably used and include, but not limited to, cellular telephones, smartphones, and computers, whether desktop, laptop, or otherwise, as well as mobile devices or terminals such as LTE MTC UEs, MTC devices, handheld computers, PDAs, video cameras, set-top
15 boxes, personal media devices, or any combinations of the foregoing. Further, the term “wireless” means any wireless signal, data, communication, or other interface including without limitation 4G (e.g., LTE, LTE-A), Wi-Fi, Bluetooth, 3G (e.g., 3GPP, 3GPP2, and UMTS), HSDPA/HSUPA, TDMA, CDMA (e.g., IS-95A, WCDMA, etc.), FHSS, DSSS, GSM, PAN/802.15, WiMAX (802.16), 802.20, narrowband/FDMA, OFDM, PCS/DCS,
20 and infrared (i.e., IrDA).

[0025] The 3rd generation project partner (3GPP) has approved a new Rel.13 work item of further LTE physical layer enhancements for MTC. A Rel.13 MTC UE only needs to support 1.4MHz (i.e., only 6PRB pairs) RF bandwidth in downlink and uplink within any system
25 bandwidth. Rel.13 MTC study targets to specify techniques that can achieve 15dB coverage improvement for FDD, for the use cases where MTC devices are deployed in challenging locations, e.g., deep inside buildings. These techniques may include but not limited to e.g., subframe bundling techniques with hybrid automatic repeat request (HARQ) for physical

data channels, resource allocation using enhanced physical downlink control channel (EPDCCH) with cross-subframe scheduling with repetition and so on. The amount of coverage enhancement should be configured per cell and/or per UE and/or per channel and/or group of channels. Rel.13 MTC study also targets to provide power consumption reduction schemes, both in normal coverage and enhanced coverage, to target ultra-long battery life.

[0026] In current LTE system, for unicast transmission, eNB would in the DCI indicate an MCS index to the scheduled UE. There are totally 32 MCS entries defined, as shown in table.1, according to LTE TS 36.213, which is incorporated here in its entirety by reference.

One MCS index would be selected from this table according to the channel quality observed by the UE. There is one column in the table as “TBS index”, indicating the TBS index for the allocated MCS index for a specific resource allocation. The TBS for each MCS index and for each resource allocation(≤ 6 PRB pair resource allocation) is given in table.2 according to LTE TS 36.213. In short, once an eNB allocates a MCS index and a resource allocation in the scheduling DCI, a TBS is determined accordingly. The eNB does not need to indicate the TBS in the scheduling DCI.

MCS Index I_{MCS}	Modulation Order Q_m	TBS Index I_{TBS}
0	2	0
1	2	1
2	2	2
3	2	3
4	2	4
5	2	5
6	2	6
7	2	7
8	2	8
9	2	9
10	4	9
11	4	10
12	4	11
13	4	12
14	4	13
15	4	14
16	4	15
17	6	15
18	6	16
19	6	17
20	6	18
21	6	19
22	6	20
23	6	21
24	6	22
25	6	23
26	6	24
27	6	25
28	6	26
29	2	reserved
30	4	
31	6	

Table.1

I_{TBS}	N_{PKE}					
	1	2	3	4	5	6
0	16	32	56	88	120	152
1	24	56	88	144	176	208
2	32	72	144	176	208	256
3	40	104	176	208	256	328
4	56	120	208	256	328	408
5	72	144	224	328	424	504
6	328	176	256	392	504	600
7	104	224	328	472	584	712
8	120	256	392	536	680	808

9	136	296	456	616	776	936
10	144	328	504	680	872	1032
11	176	376	584	776	1000	1192
12	208	440	680	904	1128	1352
13	224	488	744	1000	1256	1544
14	256	552	840	1128	1416	1736
15	280	600	904	1224	1544	1800
16	328	632	968	1288	1608	1928
17	336	696	1064	1416	1800	2152
18	376	776	1160	1544	1992	2344
19	408	840	1288	1736	2152	2600
20	440	904	1384	1864	2344	2792
21	488	1000	1480	1992	2472	2984
22	520	1064	1608	2152	2664	3240
23	552	1128	1736	2280	2856	3496
24	584	1192	1800	2408	2984	3624
25	616	1256	1864	2536	3112	3752
26	712	1480	2216	2984	3752	4392

Table.2

[0027] As discribed above, for LTE MTC UEs in coverage enhanced (CE) mode, an eNB would allocate one or more (up to 6) PRB pairs in a specific 1.4MHz region in a starting subframe for PDSCH transmission, and repeat PDSCH in the following multiple subframes.

- 5 The eNB would also allocate a repetition level to UE, from which UE knows how many repetitions would be used for the PDSCH transmission. In current standard, an eNB does not need to signal TBS to the scheduled UE. The TBS is implicitly decided by the allocated MCS index and the allocated physical resources. However for CE mode UEs, since time

domain repetition may be used for data transmission, the total amount of resources would be decided by the allocated resource in each single repeated subframe and the total number of repetitions. Thus it is not suitable to rely on the legacy scheme to decide the TBS. Furthermore, how to notify a mobile terminal of this transmission parameter (i.e., repetition level) in connection with other transmission configuration information is still under consideration by the RAN1.

[0028] To solve the above mentioned issues, the present application provides three option1-3. In the following, for the purpose of illustration and exemplify, the option1 and option2 will be described by means of new TBS tables and a number of repetitions table. Furthermore, option3 may also be described by means of the number of repetitions table. However, it is noted that these tables can also be represented by any other suitable data forms and/or data structures and/or datasets. The present application has no limit on it.

[0029] In option1, option2 and option3, they introduce the number of repetitions table which may be defined by repetition level set indexes and repetition level indexes. In this table, there may be multiple repetition level set indexes and multiple repetition level indexes, wherein a repetition level index may indicate a repetition level such as 1, 2 or 3 or other suitable level, and a repetition level set index may indicate a set of number of repetitions corresponding to respective repetition levels. In other words, this table may be defined by two-dimensional elements which can provide a more flexible definition of the number of repetitions. One example of the number of repetitions table is shown in Table.3.

$I_{rep_level_set}$	N_{rep_level}		
	1	2	3
0	R01	R02	R03
1	R11	R12	R13
2	R21	R22	R23
3	R31	R32	R33

Table.3

where $I_{rep_level_set}$ is a repetition level set index; N_{rep_level} indicates a repetition level index; R_{xz} indicates a number of repetitions for $I_{rep_level_set} = x$ and $N_{rep_level} = z$. As an example, a set of {R01, R02, R03} is that of number of repetitions for $I_{rep_level_set} = 0$, a set of {R11, R12, R13} is that of number of repetitions for $I_{rep_level_set} = 1$, a set of {R21, R22, R23} is that of number of repetitions for $I_{rep_level_set} = 2$, a set of {R31, R32, R33} is that of number of repetitions for $I_{rep_level_set} = 3$.

[0030] According to an embodiment, for example in option1, an eNB may configure and signal a repetition level set index and a repetition level index to a UE. The configuration could be through broadcasting signal or UE specific RRC signaling or physical layer signaling. Once UE got the repetition level set index and the repetition level index, it would know the number of repetitions for its transmission such as PDSCH, according to Table.3.

[0031] By way of example, if the eNB may configure and signal a repetition level set index 2 and a repetition level index 3 to the UE, then the UE would know the number of repetitions would be R23 according to Table.3. In practice, which TBS index would be configured may be based on implementation, for example based on UE traffic type.

[0032] In option1, it further introduces a new TBS table which is defined by repetition level set indexes, resource allocations and transport block size indexes. The new TBS table may be used for a UE to get a TBS for data transmission if an eNB has notified the UE of a repetition level set index, a resource allocation and a transport block size index.

[0033] An example of new TBS table in option1 is shown in Table 4.,

$I_{rep_level_set}$	N_{PRB}						I_{TBS}
	1	2	3	4	5	6	
0	T010	T020	T030	T040	T050	T060	0
	T110	T120	T130	T140	T150	T160	1
	T210	T220	T230	T240	T250	T260	2
	T310	T320	T330	T340	T350	T360	3
	T410	T420	T430	T440	T450	T460	4
	T510	T520	T530	T540	T550	T560	5
	T610	T620	T630	T640	T650	T660	6
	T710	T720	T730	T740	T750	T760	7
1	T011	T021	T031	T041	T051	T061	0
	T111	T121	T131	T141	T151	T161	1
	T211	T221	T231	T241	T251	T261	2
	T311	T321	T331	T341	T351	T361	3
	T411	T421	T431	T441	T451	T461	4
	T511	T521	T531	T541	T551	T561	5
	T611	T621	T631	T641	T651	T661	6
	T711	T721	T731	T741	T751	T761	7

2	T012	T022	T032	T042	T052	T062	0
	T112	T122	T132	T142	T152	T162	1
	T212	T222	T232	T242	T252	T262	2
	T312	T322	T332	T342	T352	T362	3
	T412	T422	T432	T442	T452	T462	4
	T512	T522	T532	T542	T552	T562	5
	T612	T622	T632	T642	T652	T662	6
	T712	T722	T732	T742	T752	T762	7
3	T013	T023	T033	T043	T053	T063	0
	T113	T123	T133	T143	T153	T163	1
	T213	T223	T233	T243	T253	T263	2
	T313	T323	T333	T343	T353	T363	3
	T413	T423	T433	T443	T453	T463	4
	T513	T523	T533	T543	T553	T563	5
	T613	T623	T633	T643	T653	T663	6
	T713	T723	T733	T743	T753	T763	7

Table.4

where $I'_{rep_level_set}$ is a repetition level set index, I_{TBS} is a TBS index of the new TBS table; N_{PRB} indicates a possible resource allocation; $T_{\alpha,y}$ means a TBS for $I_{TBS} = \alpha$, $N_{PRB} = y$, $I'_{rep_level_set} = x$; one repetition level set index may correspond to two or more transport block size indexes. For example, $I'_{rep_level_set} = 1$ corresponds to a set of transport block size indexes 0-7.

[0034] It is noted that transport block size indexes in Table.4 may be repeated. In this case, a transport block size may be determined based at least in part on the repetition level set index, the resource allocation and the transport block size index.

[0035] According to an embodiment, if an eNB has notified a UE of a repetition level set index, a resource allocation and a transport block size index, then the UE will determine a transport block size based at least in part on the repetition level set index, the resource allocation and the transport block size index, such as according to Table.4. For example,

5 T_{010} may be determined by $I_{TBS} = 0$, $N_{PRB} = 1$, $I'_{rep_level_set} = 0$.

[0036] For option1, for a given resource allocation, the TBSes for a given repetition level set index may be ascending order, and in other embodiments it may be any other suitable order such as descending order.

[0037] In the following, it gives one detailed example for option1 according to an
 10 embodiment. Table.5 shows an example TBS sub-table for $I'_{rep_level_set} = 0$ as below.

I_{TBS}	N_{PRB}					
	1	2	3	4	5	6
0	16	16	16	16	16	16
1	16	16	16	16	16	32
2	16	16	16	16	32	56
3	16	16	16	32	56	88
4	16	16	32	56	88	120
5	16	32	56	88	120	152
6	24	56	88	144	176	208
7	32	72	144	176	208	256

Table.5

[0038] Table.6 shows an example TBS sub-table for $I'_{rep_level_set} = 1$ as below.

I_{TBS}	N_{PRB}					
	1	2	3	4	5	6
0	16	16	72	104	144	176
1	16	32	88	120	176	208
2	16	56	104	144	208	224
3	16	72	120	176	224	256
4	16	88	144	208	256	328
5	32	104	176	224	328	408
6	56	120	208	256	408	424
7	72	144	224	328	424	504

Table.6

[0039] Table.7 shows an example TBS sub-table for $I'_{rep_level_set} = 2$ as below.

I_{TBS}	N_{PRB}					
	1	2	3	4	5	6
0	16	104	176	224	408	504
1	32	120	208	256	424	600
2	56	144	224	328	504	712
3	72	176	256	408	600	776
4	88	208	328	424	712	840
5	104	224	408	504	776	872
6	120	256	424	600	840	936
7	144	328	504	680	872	1032

Table.7

[0040] In this embodiment, it should be noted that for one specific resource allocation in such TBS sub-tables, having same repetition level for lower TBS with higher TBS will not cause

much resource wastage, since the encoding gain of lower TBS is lower than that for higher TBS.

[0041] In another embodiment, the transport block size indexes are not repeated. This case corresponds to option2. In option2, it is also introduces a new TBS table which is defined by repetition level set indexes, resource allocations and transport block size indexes. The TBS table in option2 is similar to that in option1 except that the transport block size indexes in the TBS table of option2 are not repeated.

[0042] This TBS table may be used for a UE to get a TBS for data transmission if an eNB has notified the UE of a resource allocation and a transport block size index. In the other side, it may be used for a UE to deduce a repetition level set index which will be described in more detail in the following.

[0043] An example of new TBS table in option2 is shown in Table.8.

$I_{rep_level_set}^*$	N_{PRB}^*						I_{TBS}^*
	1	2	3	4	5	6	
0	T010	T020	T030	T040	T050	T060	0
	T110	T120	T130	T140	T150	T160	1
	T210	T220	T230	T240	T250	T260	2
	T310	T320	T330	T340	T350	T360	3
	T410	T420	T430	T440	T450	T460	4
	T510	T520	T530	T540	T550	T560	5
	T610	T620	T630	T640	T650	T660	6
	T710	T720	T730	T740	T750	T760	7

1	T811	T821	T831	T841	T851	T861	8
	T911	T921	T931	T941	T951	T961	9
	T1011	T1021	T1031	T1041	T1051	T1061	10
	T1111	T1121	T1131	T1141	T1151	T1161	11
	T1211	T1221	T1231	T1241	T1251	T1261	12
	T1311	T1321	T1331	T1341	T1351	T1361	13
	T1411	T1421	T1431	T1441	T1451	T1461	14
	T1511	T1521	T1531	T1541	T1551	T1561	15
2	T1612	T1622	T1632	T1642	T1652	T1662	16
	T1712	T1722	T1732	T1742	T1752	T1762	17
	T1812	T1822	T1832	T1842	T1852	T1862	18
	T1912	T1922	T1932	T1942	T1952	T1962	19
	T2012	T2022	T2032	T2042	T2052	T2062	20
	T2112	T2122	T2132	T2142	T2152	T2162	21
	T2212	T2222	T2232	T2242	T2252	T2262	22
	T2312	T2322	T2332	T2342	T2352	T2362	23
3	T2413	T2423	T2433	T2443	T2453	T2463	24
	T2513	T2523	T2533	T2543	T2553	T2563	25
	T2613	T2623	T2633	T2643	T2653	T2663	26
	T2713	T2723	T2733	T2743	T2753	T2763	27
	T2813	T2823	T2833	T2843	T2853	T2863	28
	T2913	T2923	T2933	T2943	T2953	T2963	29
	T3013	T3023	T3033	T3043	T3053	T3063	30
	T3113	T3123	T3133	T3143	T3153	T3163	31

Table.8

where, I_{TBS}^n , $I_{\text{rep_level_set}}^n$, N_{PRB}^n and $T_{\alpha,\beta,\gamma}$ are similar to that in Table.4 of option1. Similar to Table.4 of option1, one repetition level set index may also correspond to two or more transport block size indexes, but in option2, respective repetition level set indexes correspond to respective sets of transport block size indexes which are disjoint from each other. For example, in Table.4 of option1, all the $I_{\text{rep_level_set}}^n$ may correspond to the same set of transport block size indexes, such as $\{0,1,2,3,4,5,6,7\}$, while in Table.8 of option2, $I_{\text{rep_level_set}}^n = 1$ may correspond to a set of transport block size indexes such as $\{0,1,2,3,4,5,6,7\}$, $I_{\text{rep_level_set}}^n = 2$ may correspond to a set of transport block size indexes such as $\{8,9,10,11,12,13,14,15\}$ and so on, and these sets are disjoint sets. Therefore, the sets of second transport block size indexes can be used to deduce the repetition level set index which will be described in more detail in the following.

[0044] According to an embodiment, a repetition level set index is determined based at least in part on respective sets of transport block size indexes and a transport block size index. Using Table.8 as an example, if an eNB has notified a UE of a transport block size index such as $I_{\text{TBS}}^n = 6$, then the UE will get a repetition level set index such as $I_{\text{rep_level_set}}^n = 0$ according to Table.8 since $I_{\text{TBS}}^n = 6$ belongs to the set of $\{0,1,2,3,4,5,6,7\}$ which may correspond to $I_{\text{rep_level_set}}^n = 0$. In this embodiment, if the eNB also has notified the UE of a repetition level index, then the UE may determine a number of repetitions based at least in part on the repetition level set index and the repetition level index, for example according to Table.3.

[0045] In an embodiment, an eNB may notify a UE of a resource allocation and a transport block size index, and the UE may determine a transport block size based at least in part on the resource allocation and the transport block size index, for example according to Table.8. As an example, if the eNB has notified the UE of a resource allocation such as $N_{\text{PRB}}^n = 6$ and

a transport block size index such as $I_{TBS}^* = 6$, then the UE may determine a transport block size such as T660 for example by querying Table.8.

[0046] For option2, for a given resource allocation, the TBSes for a repetition level set index may be ascending order, and in other embodiments it may be any other suitable order.

5 [0047] Next we will describe option3. As described above, like option1 and option2, option3 may also use Table.3 to determine a number of repetitions.

[0048] In addition, option3 may introduce multiple MCS levels whose respective indexes may correspond to respective repetition level set indexes. Furthermore, a MCS level index can indicate other information, such as code rate, a modulation order such as QPSK etc.

10 [0049] In an embodiment, a repetition level set index is determined based at least in part on a modulation and coding scheme level index. For example, if an eNB has transmitted a modulation and coding scheme level index to a UE, the UE can determine the repetition level set index based on the mapping between the modulation and coding scheme level index and the repetition level set index. Moreover, the mapping of the MCS level index to the repetition
 15 level set index may be predefined

[0050] Furthermore, in option3, it may define a TBS table which contains a plurality of TBSes. The TBS table can be defined by resource allocations and transport block size indexes. For example, an example of TBS table used in option3 is shown in Table.9

I_{TBS}^*	N_{PRB}^*						N_{rep_level}
	1	2	3	4	5	6	
0	K01	K02	K03	K04	K05	K06	1
1	K11	K12	K13	K14	K15	K16	
2	K21	K22	K23	K24	K25	K26	
3	K31	K32	K33	K34	K35	K36	

4	K41	K42	K43	K44	K45	K46	
5	K51	K52	K53	K54	K55	K56	
6	K61	K62	K63	K64	K65	K66	2
7	K71	K72	K73	K74	K75	K76	
8	K81	K82	K83	K84	K85	K86	
9	K91	K92	K93	K94	K95	K96	
10	K101	K102	K103	K104	K105	K106	
11	K111	K112	K113	K114	K115	K116	3
12	K121	K122	K123	K124	K125	K126	
13	K131	K132	K133	K134	K135	K136	
14	K141	K142	K143	K144	K145	K146	
15	K151	K152	K153	K154	K155	K156	

Table.9

where I_{TBS}''' indicates a transport block size index, N_{PRB}''' indicates a resource allocation and

K_{xy} is a TBS for $I_{TBS}''' = x$ and $N_{PRB}''' = y$.

[0051] In an embodiment, a transport block size may be determined based at least in part on
 5 a third resource allocation and a transport block size index. For example, if an eNB has transmitted the resource allocation and the third transport block size index to a UE, the UE can determine the transport block size for example by querying Table.9 by using the resource allocation and the transport block size index.

[0052] In an embodiment, respective repetition level indexes such as in Table.3 correspond
 10 to respective transport block size ranges which are disjoint. As an example, in the case of three repetition level indexes, a repetition level index 1 may correspond to the values range from minimum TBS=16 to maximum TBS = 328; a repetition level index 2 may correspond to the values range from minimum TBS = 329 to maximum TBS = 600; and a repetition

level index 3 may correspond to the values range from minimum TBS = 601 to maximum TBS = 1032. In this case, the respective transport block size ranges for the repetition level index 1-3 are disjoint.

[0053] According to an embodiment, a repetition level index is determined based at least in part on a transport block size and respective transport block size ranges. As described above, respective repetition level indexes may correspond to respective TBS ranges which are disjoint. Thus if a UE has got a TBS, then it can compare the TBS with the respective TBS ranges to determine that the TBS belongs to which TBS range. After obtaining this information, it can determine the repetition level index corresponding to the determined TBS range.

[0054] According to an embodiment, in option3, a number of repetitions may be determined based at least in part on a repetition level set index and a repetition level index. For example, if an UE has obtained the repetition level set index and the repetition level index, then it can determine the number of repetitions based at least in part on the repetition level set index and the repetition level index for example according to Table.3.

[0055] According to various embodiments, it is noted that the values and/or values range and/or the number of various parameters, such as the modulation and coding scheme level index, the resource allocation, the transport block size table index, the repetition level set index and the repetition level index and so on, are only illustrative, and in other embodiment, each of which can use any other suitable values and/or values range and/or quantity. The present application has no limit on it.

[0056] Figure 2 is a diagram depicting the process of transmitting transmission configuration information used by a network element to a mobile terminal for determining transmission parameters, according to an embodiment. This process can be implemented in a network element 200 or other entity. The transmission parameters may include at least a TBS and/or a number of repetitions for the mobile terminal's transmission such as PDSCH.

[0057] As shown in Figure 2, the process includes step 202, wherein a network element 200 may transmit transmission configuration information used by the network element to the mobile terminal (e.g, UE 100) for determining transmission parameters, wherein the transmission configuration information comprises a first set of parameters comprising at least a first repetition level set index, a first repetition level index, a first resource allocation and a first transport block size index, or a second set of parameters comprising at least a second repetition level index, a second resource allocation, and a second transport block size index, or a third set of parameters comprising at least a modulation and coding scheme level index, a third resource allocation and a third transport block size index.

5 [0058] In step 202, the transmission configuration information may include one of the three sets of parameters.

[0059] In an embodiment, wherein the transmission configuration information comprises the first set of parameters, and the transmission parameters comprise at least a number of repetitions, the number of repetitions may be determined based at least in part on the first repetition level set index and the first repetition level index as described in embodiments in connection with Table.3.

[0060] In an embodiment, wherein the transmission configuration information comprises the first set of parameters, one first repetition level set index may correspond to two or more first transport block size indexes as described in embodiments in connection with Table.4.

15 [0061] In an embodiment, wherein the transmission configuration information comprises the first set of parameters, and wherein the transmission parameters comprise at least a transport block size, the transport block size may be determined based at least in part on the first repetition level set index, the first resource allocation and the first transport block size index as described in embodiments in connection with Table.4.

[0062] In an embodiment, wherein the transmission configuration information comprises the first set of parameters, a frequency of transmitting the first repetition level set index and the first repetition level index is equal to or lower than a frequency of transmitting the first resource allocation and the first transport block size index. For example, if the network element 200 may expect to use the same number of repetitions for successive several packets and use different TBSeS for respective packets, such as TBS=16 for packet 1, TBS=32 for packet 2 and so on, then the network element 200 may transmit the first repetition level set index and the first repetition level index for the successive several packets and transmit respective first resource allocations and respective first transport block size indexes for respective successive several packets.

[0063] In an embodiment, wherein the transmission configuration information comprises the second set of parameters, and wherein the transmission parameters comprise at least a second transport block size, the second transport block size may be determined based at least in part on the second resource allocation and the second transport block size index as described in embodiments in connection with Table.8.

[0064] In an embodiment, wherein the transmission configuration information comprises the second set of parameters, respective second repetition level set indexes correspond to respective sets of second transport block size indexes which are disjoint from each other as described in embodiments in connection with Table.8.

[0065] In an embodiment, wherein the transmission configuration information comprises the second set of parameters, a second repetition level set index is determined based at least in part on the respective sets and the second transport block size index as described in embodiments in connection with Table.8.

[0066] In an embodiment, wherein the transmission configuration information comprises the second set of parameters, the transmission parameters comprise at least a number of repetitions which is determined based at least in part on the second repetition level set index

and the second repetition level index as described in embodiments in connection with Table.3.

[0067] In an embodiment, wherein the transmission configuration information comprises the third set of parameters, a third repetition level set index is determined based at least in part on the modulation and coding scheme level index as described in above embodiments.

[0068] In an embodiment, wherein the transmission configuration information comprises the third set of parameters, and the transmission parameters comprise at least a third transport block size, the third transport block size may be determined based at least in part on the third resource allocation and the third transport block size index as described in embodiments in connection with Table.9.

[0069] In an embodiment, wherein the transmission configuration information comprises the third set of parameters, and respective repetition level indexes correspond to respective transport block size ranges which are disjoint as described in above embodiments.

[0070] In an embodiment, wherein the transmission configuration information comprises the third set of parameters, and a third repetition level index is determined based at least in part on the third transport block size and the respective transport block size ranges as described in above embodiments.

[0071] In an embodiment, wherein the transmission configuration information comprises the third set of parameters, and the transmission parameters comprise at least a number of repetitions which is determined based at least in part on the third repetition level set index and the third repetition level index as described in embodiments in connection with Table.3.

[0072] According to various embodiments, a bigger transport block size is for a big packet transmission and a smaller transport block size is for a small packet transmission. For example, if an eNB will transmit information including 2064 bits to a UE, the eNB can select a TBS=1032. Using a bigger TBS is beneficial for a big packet transmission, since a full

packet can be transmitted using lower number scheduling, which leads to lower control overhead, lower time duration of packet transmission and correspondingly lower power consumption. As another example, if an eNB will transmit information including 32 bits to a UE, the eNB can select a TBS=32. Using smaller a TBS is beneficial for a small packet
5 transmission, since there is no need to add padding bits for the packet transmission, which also reduce the number of repetitions and correspondingly lower power consumption. Comparing with the exiting solution, the present application can provide more TBSes for selection. Thus, it may provide the network element with larger flexibility such that the network element can configure more suitable TBS to maximize system and/or network
10 performance.

[0073] According to various embodiments, the network element can transmit the transmission configuration information through at least one of a broadcasting signal, a user equipment specific radio resource control signaling and a physical layer signaling. For example, the network element can transmit the transmission configuration information in
15 DCI.

[0074] Figure 3 is a diagram depicting the process of receiving transmission configuration information used by a network element for determining transmission parameters, according to an embodiment. This process can be implemented in a mobile terminal 100 or other entity. The transmission parameters may include at least a TBS and/or a number of repetitions for
20 a mobile terminal's transmission such as PDSCH.

[0075] As shown in Figure 3, the process includes step 302, wherein the mobile terminal 100 receives transmission configuration information used by the network element for determining transmission parameters, wherein the transmission configuration information comprises a first set of parameters comprising at least a first repetition level set index, a first
25 repetition level index, a first resource allocation and a first transport block size index, or a second set of parameters comprising at least a second repetition level index, a second resource allocation, and a second transport block size index, or a third set of parameters

comprising at least a modulation and coding scheme level index, a third resource allocation and a third transport block size index. In step 302, the transmission configuration information may include one of the three sets of parameters.

[0076] The process further includes step 304, wherein the mobile terminal (e.g, UE 100) determines transmission parameters used by the network element based at least in part on the transmission configuration information.

[0077] In an embodiment, wherein the transmission configuration information comprises the first set of parameters, and the transmission parameters comprise at least a number of repetitions, the mobile terminal (e.g, UE 100) may determine the number of repetitions for its transmission based at least in part on the first repetition level set index and the first repetition level index as described in embodiments in connection with Table.3..

[0078] In an embodiment, wherein the transmission configuration information comprises the first set of parameters, one first repetition level set index may correspond to two or more first transport block size indexes as described in embodiments in connection with Table.4.

[0079] In an embodiment, wherein the transmission configuration information comprises the first set of parameters, and wherein the transmission parameters comprise at least a transport block size, the mobile terminal (e.g, UE 100) may determine the transport block size based at least in part on the first repetition level set index, the first resource allocation and the first transport block size index as described in embodiments in connection with Table.4.

[0080] In an embodiment, wherein the transmission configuration information comprises the first set of parameters, a frequency of receiving the first repetition level set index and the first repetition level index is equal to or lower than a frequency of receiving the first resource allocation and the first transport block size index. For example, if the network element 200 may expect to use the same number of repetitions for successive several packets and use

different TBSEs for respective packets, such as TBS=16 for packet 1, TBS=32 for packet 2 and so on, then the network element 200 may transmit the first repetition level set index and the first repetition level index for the successive several packets and transmit respective first resource allocations and respective first transport block size indexes for respective
5 successive several packets. In this case, a frequency of receiving the first repetition level set index and the first repetition level index is equal to or lower than a frequency of receiving the first resource allocation and the first transport block size index.

[0081] In an embodiment, wherein the transmission configuration information comprises the second set of parameters, and wherein the transmission parameters comprise at least a
10 second transport block size, the second transport block size may be determined based at least in part on the second resource allocation and the second transport block size index as described in embodiments in connection with Table.8.

[0082] In an embodiment, wherein the transmission configuration information comprises the second set of parameters, respective second repetition level set indexes correspond to
15 respective sets of second transport block size indexes which are disjoint from each other as described in embodiments in connection with Table.8.

[0083] In an embodiment, wherein the transmission configuration information comprises the second set of parameters, a second repetition level set index is determined based at least
20 in part on the respective sets and the second transport block size index as described in embodiments in connection with Table.8.

[0084] In an embodiment, wherein the transmission configuration information comprises the second set of parameters, the transmission parameters comprise at least a number of repetitions which is determined based at least in part on the second repetition level set index and the second repetition level index as described in embodiments in connection with
25 Table.3.

[0085] In an embodiment, wherein the transmission configuration information comprises the third set of parameters, a third repetition level set index is determined based at least in part on the modulation and coding scheme level index as described in above embodiments.

[0086] In an embodiment, wherein the transmission configuration information comprises the third set of parameters, and the transmission parameters comprise at least a third transport block size, the third transport block size may be determined based at least in part on the third resource allocation and the third transport block size index as described in embodiments in connection with Table.9.

[0087] In an embodiment, wherein the transmission configuration information comprises the third set of parameters, and respective repetition level indexes correspond to respective transport block size ranges which are disjoint as described in above embodiments.

[0088] In an embodiment, wherein the transmission configuration information comprises the third set of parameters, and a third repetition level index is determined based at least in part on the third transport block size and the respective transport block size ranges as described in above embodiments.

[0089] In an embodiment, wherein the transmission configuration information comprises the third set of parameters, and the transmission parameters comprise at least a number of repetitions which is determined based at least in part on the third repetition level set index and the third repetition level index as described in embodiments in connection with Table.3.

[0090] According to various embodiments, a bigger transport block size is for a big packet transmission and a smaller transport block size is for a small packet transmission as described in above embodiments.

[0091] According to various embodiments, the mobile terminal can receive the transmission configuration information through at least one of a broadcasting signal, a user equipment

specific radio resource control signaling and a physical layer signaling. For example, the mobile terminal can receive the transmission configuration information in DCI.

[0092] According to an aspect of the disclosure, it is provided an apparatus such as a network element. Figure 4 depicts a network element 200 useful in implementing the methods as described above. As shown in Figure 4, the network element 200 comprises a processing device 404, a memory 405, and a radio modem subsystem 401 in operative communication with the processor 404. The radio modem subsystem 401 comprises at least one transmitter 402 and at least one receiver 403. While only one processor is illustrated in Figure 4, the processing device 404 may comprise a plurality of processors or multi-core processor(s). Additionally, the processing device 404 may also comprise cache to facilitate processing operations.

[0093] Computer-executable instructions can be loaded in the memory 405 and, when executed by the processing device 404, cause the network element 200 to implement the above-described methods in a wireless network. In particular, the computer-executable instructions can cause the network element 200 to transmit transmission configuration information used by the network element 200 to a mobile terminal for determining transmission parameters, wherein the transmission configuration information comprises a first set of parameters comprising at least a first repetition level set index, a first repetition level index, a first resource allocation and a first transport block size index, or a second set of parameters comprising at least a second repetition level index, a second resource allocation, and a second transport block size index, or a third set of parameters comprising at least a modulation and coding scheme level index, a third resource allocation and a third transport block size index.

[0094] In an embodiment, wherein the transmission configuration information comprises the first set of parameters, and the transmission parameters comprise at least a number of repetitions, the number of repetitions may be determined based at least in part on the first

repetition level set index and the first repetition level index as described in embodiments in connection with Table.3.

[0095] In an embodiment, wherein the transmission configuration information comprises the first set of parameters, one first repetition level set index may correspond to two or more
5 first transport block size indexes as described in embodiments in connection with Table.4.

[0096] In an embodiment, wherein the transmission configuration information comprises the first set of parameters, and wherein the transmission parameters comprise at least a transport block size, the transport block size may be determined based at least in part on the first repetition level set index, the first resource allocation and the first transport block size
10 index as described in embodiments in connection with Table.4.

[0097] In an embodiment, wherein the transmission configuration information comprises the first set of parameters, a frequency of transmitting the first repetition level set index and the first repetition level index is equal to or lower than a frequency of transmitting the first resource allocation and the first transport block size index as described in above
15 embodiments.

[0098] In an embodiment, wherein the transmission configuration information comprises the second set of parameters, and wherein the transmission parameters comprise at least a second transport block size, the second transport block size may be determined based at least in part on the second resource allocation and the second transport block size index as
20 described in embodiments in connection with Table.8.

[0099] In an embodiment, wherein the transmission configuration information comprises the second set of parameters, respective second repetition level set indexes correspond to respective sets of second transport block size indexes which are disjoint from each other as described in embodiments in connection with Table.8.

[00100] In an embodiment, wherein the transmission configuration information comprises the second set of parameters, a second repetition level set index is determined based at least in part on the respective sets and the second transport block size index as described in embodiments in connection with Table.8.

5 [00101] In an embodiment, wherein the transmission configuration information comprises the second set of parameters, the transmission parameters comprise at least a number of repetitions which is determined based at least in part on the second repetition level set index and the second repetition level index as described in embodiments in connection with Table.3.

10 [00102] In an embodiment, wherein the transmission configuration information comprises the third set of parameters, a third repetition level set index is determined based at least in part on the modulation and coding scheme level index as described in above embodiments.

[00103] In an embodiment, wherein the transmission configuration information
15 comprises the third set of parameters, and the transmission parameters comprise at least a third transport block size, the third transport block size may be determined based at least in part on the third resource allocation and the third transport block size index as described in embodiments in connection with Table.9.

[00104] In an embodiment, wherein the transmission configuration information
20 comprises the third set of parameters, and respective repetition level indexes correspond to respective transport block size ranges which are disjoint as described in above embodiments.

[00105] In an embodiment, wherein the transmission configuration information
25 comprises the third set of parameters, and a third repetition level index is determined based at least in part on the third transport block size and the respective transport block size ranges as described in above embodiments.

[00106] In an embodiment, wherein the transmission configuration information comprises the third set of parameters, and the transmission parameters comprise at least a number of repetitions which is determined based at least in part on the third repetition level set index and the third repetition level index as described in embodiments in connection with
5 Table.3.

[00107] In various embodiments, a bigger transport block size is for a big packet transmission and a smaller transport block size is for a small packet transmission.

[00108] In various embodiments, the computer-executable instructions, when executed by the processing device 404, can further cause the network element to transmit
10 the transmission configuration information through at least one of a broadcasting signal, a user equipment specific radio resource control signaling and a physical layer signaling.

[00109] According to an aspect of the disclosure it is provided an apparatus such as a network element. The network element comprises: a transmitting means configured to transmit transmission configuration information used by the network element to a mobile
15 terminal for determining transmission parameters, wherein the transmission configuration information comprises a first set of parameters comprising at least a first repetition level set index, a first repetition level index, a first resource allocation and a first transport block size index, or a second set of parameters comprising at least a second repetition level index, a second resource allocation, and a second transport block size index, or a third set of
20 parameters comprising at least a modulation and coding scheme level index, a third resource allocation and a third transport block size index.

[00110] In an embodiment, wherein the transmission configuration information comprises the first set of parameters, and the transmission parameters comprise at least a number of repetitions, the number of repetitions may be determined based at least in part on
25 the first repetition level set index and the first repetition level index as described in embodiments in connection with Table.3.

[00111] In an embodiment, wherein the transmission configuration information comprises the first set of parameters, one first repetition level set index may correspond to two or more first transport block size indexes as described in embodiments in connection with Table.4.

5 [00112] In an embodiment, wherein the transmission configuration information comprises the first set of parameters, and wherein the transmission parameters comprise at least a transport block size, the transport block size may be determined based at least in part on the first repetition level set index, the first resource allocation and the first transport block size index as described in embodiments in connection with Table.4.

10 [00113] In an embodiment, wherein the transmission configuration information comprises the first set of parameters, a frequency of transmitting the first repetition level set index and the first repetition level index is equal to or lower than a frequency of transmitting the first resource allocation and the first transport block size index as described in above embodiments.

15 [00114] In an embodiment, wherein the transmission configuration information comprises the second set of parameters, and wherein the transmission parameters comprise at least a second transport block size, the second transport block size may be determined based at least in part on the second resource allocation and the second transport block size index as described in embodiments in connection with Table.8.

20 [00115] In an embodiment, wherein the transmission configuration information comprises the second set of parameters, respective second repetition level set indexes correspond to respective sets of second transport block size indexes which are disjoint from each other as described in embodiments in connection with Table.8.

25 [00116] In an embodiment, wherein the transmission configuration information comprises the second set of parameters, a second repetition level set index is determined

based at least in part on the respective sets and the second transport block size index as described in embodiments in connection with Table.8.

[00117] In an embodiment, wherein the transmission configuration information comprises the second set of parameters, the transmission parameters comprise at least a
5 number of repetitions which is determined based at least in part on the second repetition level set index and the second repetition level index as described in embodiments in connection with Table.3.

[00118] In an embodiment, wherein the transmission configuration information comprises the third set of parameters, a third repetition level set index is determined based
10 at least in part on the modulation and coding scheme level index as described in above embodiments.

[00119] In an embodiment, wherein the transmission configuration information comprises the third set of parameters, and the transmission parameters comprise at least a
15 third transport block size, the third transport block size may be determined based at least in part on the third resource allocation and the third transport block size index as described in embodiments in connection with Table.9.

[00120] In an embodiment, wherein the transmission configuration information comprises the third set of parameters, and respective repetition level indexes correspond to respective transport block size ranges which are disjoint as described in above embodiments.

20 [00121] In an embodiment, wherein the transmission configuration information comprises the third set of parameters, and a third repetition level index is determined based at least in part on the third transport block size and the respective transport block size ranges as described in above embodiments.

[00122] In an embodiment, wherein the transmission configuration information
25 comprises the third set of parameters, and the transmission parameters comprise at least a

number of repetitions which is determined based at least in part on the third repetition level set index and the third repetition level index as described in embodiments in connection with Table.3.

[00123] In various embodiments, a bigger transport block size is for a big packet transmission and a smaller transport block size is for a small packet transmission as described in above embodiments.

[00124] In various embodiments, the transmitting means is further configured to transmit the transmission configuration information through at least one of a broadcasting signal, a user equipment specific radio resource control signaling and a physical layer signaling.

[00125] According to an aspect of the disclosure it is provided an apparatus such as a mobile terminal. Figure 5 depicts a mobile terminal 100 useful in implementing the methods as described above. As shown in Figure 5, the mobile element 100 comprises a processing device 504, a memory 505, and a radio modem subsystem 501 in operative communication with the processor 504. The radio modem subsystem 501 comprises at least one transmitter 502 and at least one receiver 503. While only one processor is illustrated in Figure 5, the processing device 504 may comprises a plurality of processors or multi-core processor(s). Additionally, the processing device 504 may also comprise cache to facilitate processing operations.

[00126] Computer-executable instructions can be loaded in the memory 505 and, when executed by the processing device 504, cause the mobile terminal 100 to implement the above-described methods in a wireless network. In particular, the computer-executable instructions can cause the mobile terminal 100 to: receive transmission configuration information used by a network element for determining transmission parameters, wherein the transmission configuration information comprises a first set of parameters comprising at least a first repetition level set index, a first repetition level index, a first resource allocation

and a first transport block size index, or a second set of parameters comprising at least a second repetition level index, a second resource allocation, and a second transport block size index, or a third set of parameters comprising at least a modulation and coding scheme level index, a third resource allocation and a third transport block size index; and determine
5 transmission parameters used by the network element based at least in part on the transmission configuration information.

[00127] In an embodiment, wherein the transmission configuration information comprises the first set of parameters, and the transmission parameters comprise at least a number of repetitions, the number of repetitions may be determined based at least in part on
10 the first repetition level set index and the first repetition level index as described in embodiments in connection with Table.3..

[00128] In an embodiment, wherein the transmission configuration information comprises the first set of parameters, one first repetition level set index may correspond to two or more first transport block size indexes as described in embodiments in connection
15 with Table.4.

[00129] In an embodiment, wherein the transmission configuration information comprises the first set of parameters, and wherein the transmission parameters comprise at least a transport block size, the transport block size may be determined based at least in part on the first repetition level set index, the first resource allocation and the first transport block
20 size index as described in embodiments in connection with Table.4.

[00130] In an embodiment, wherein the transmission configuration information comprises the first set of parameters, a frequency of receiving the first repetition level set index and the first repetition level index is equal to or lower than a frequency of receiving the first resource allocation and the first transport block size index.

[00131] In an embodiment, wherein the transmission configuration information comprises the second set of parameters, and wherein the transmission parameters comprise at least a second transport block size, the second transport block size may be determined based at least in part on the second resource allocation and the second transport block size index as described in embodiments in connection with Table.8.

[00132] In an embodiment, wherein the transmission configuration information comprises the second set of parameters, respective second repetition level set indexes correspond to respective sets of second transport block size indexes which are disjoint from each other as described in embodiments in connection with Table.8.

10 [00133] In an embodiment, wherein the transmission configuration information comprises the second set of parameters, a second repetition level set index is determined based at least in part on the respective sets and the second transport block size index as described in embodiments in connection with Table.8.

15 [00134] In an embodiment, wherein the transmission configuration information comprises the second set of parameters, the transmission parameters comprise at least a number of repetitions which is determined based at least in part on the second repetition level set index and the second repetition level index as described in embodiments in connection with Table.3.

20 [00135] In an embodiment, wherein the transmission configuration information comprises the third set of parameters, a third repetition level set index is determined based at least in part on the modulation and coding scheme level index as described in above embodiments.

25 [00136] In an embodiment, wherein the transmission configuration information comprises the third set of parameters, and the transmission parameters comprise at least a third transport block size, the third transport block size may be determined based at least in

part on the third resource allocation and the third transport block size index as described in embodiments in connection with Table.9.

[00137] In an embodiment, wherein the transmission configuration information comprises the third set of parameters, and respective repetition level indexes correspond to
5 respective transport block size ranges which are disjoint as described in above embodiments.

[00138] In an embodiment, wherein the transmission configuration information comprises the third set of parameters, and a third repetition level index is determined based at least in part on the third transport block size and the respective transport block size ranges as described in above embodiments.

10 [00139] In an embodiment, wherein the transmission configuration information comprises the third set of parameters, and the transmission parameters comprise at least a number of repetitions which is determined based at least in part on the third repetition level set index and the third repetition level index as described in embodiments in connection with Table.3.

15 [00140] According to various embodiments, a bigger transport block size is for a big packet transmission and a smaller transport block size is for a small packet transmission as described in above embodiments.

[00141] According to various embodiments, the computer-executable instructions, when executed by the processing device 504, can further cause the mobile terminal 100 to:
20 receive the transmission configuration information through at least one of a broadcasting signal, a user equipment specific radio resource control signaling and a physical layer signaling. For example, the mobile terminal can receive the transmission configuration information in DCI.

[00142] According to an aspect of the disclosure it is provided an apparatus. The
25 apparatus comprises: a receiving means configured to receive transmission configuration

information used by a network element for determining transmission parameters, wherein the transmission configuration information comprises a first set of parameters comprising at least a first repetition level set index, a first repetition level index, a first resource allocation and a first transport block size index, or a second set of parameters comprising at least a
5 second repetition level index, a second resource allocation, and a second transport block size index, or a third set of parameters comprising at least a modulation and coding scheme level index, a third resource allocation and a third transport block size index; and a determining means configured to determine transmission parameters used by the network element based at least in part on the transmission configuration information.

10 [00143] In an embodiment, wherein the transmission configuration information comprises the first set of parameters, and the transmission parameters comprise at least a number of repetitions, the determining means may be further configured to determine the number of repetitions for its transmission based at least in part on the first repetition level set index and the first repetition level index as described in embodiments in connection with
15 Table.3..

[00144] In an embodiment, wherein the transmission configuration information comprises the first set of parameters, one first repetition level set index may correspond to two or more first transport block size indexes as described in embodiments in connection with Table.4.

20 [00145] In an embodiment, wherein the transmission configuration information comprises the first set of parameters, and wherein the transmission parameters comprise at least a transport block size, the determining means may be further configured to determine the transport block size based at least in part on the first repetition level set index, the first resource allocation and the first transport block size index as described in embodiments in
25 connection with Table.4.

[00146] In an embodiment, wherein the transmission configuration information comprises the first set of parameters, a frequency of receiving the first repetition level set index and the first repetition level index is equal to or lower than a frequency of receiving the first resource allocation and the first transport block size index.

5 [00147] In an embodiment, wherein the transmission configuration information comprises the second set of parameters, and wherein the transmission parameters comprise at least a second transport block size, the second transport block size may be determined based at least in part on the second resource allocation and the second transport block size index as described in embodiments in connection with Table.8.

10 [00148] In an embodiment, wherein the transmission configuration information comprises the second set of parameters, respective second repetition level set indexes correspond to respective sets of second transport block size indexes which are disjoint from each other as described in embodiments in connection with Table.8.

[00149] In an embodiment, wherein the transmission configuration information
15 comprises the second set of parameters, a second repetition level set index is determined based at least in part on the respective sets and the second transport block size index as described in embodiments in connection with Table.8.

[00150] In an embodiment, wherein the transmission configuration information
20 comprises the second set of parameters, the transmission parameters comprise at least a number of repetitions which is determined based at least in part on the second repetition level set index and the second repetition level index as described in embodiments in connection with Table.3.

[00151] In an embodiment, wherein the transmission configuration information comprises the third set of parameters, a third repetition level set index is determined based

at least in part on the modulation and coding scheme level index as described in above embodiments.

[00152] In an embodiment, wherein the transmission configuration information comprises the third set of parameters, and the transmission parameters comprise at least a
5 third transport block size, the third transport block size may be determined based at least in part on the third resource allocation and the third transport block size index as described in embodiments in connection with Table.9.

[00153] In an embodiment, wherein the transmission configuration information comprises the third set of parameters, and respective repetition level indexes correspond to
10 respective transport block size ranges which are disjoint as described in above embodiments.

[00154] In an embodiment, wherein the transmission configuration information comprises the third set of parameters, and a third repetition level index is determined based at least in part on the third transport block size and the respective transport block size ranges as described in above embodiments.

15 [00155] In an embodiment, wherein the transmission configuration information comprises the third set of parameters, and the transmission parameters comprise at least a number of repetitions which is determined based at least in part on the third repetition level set index and the third repetition level index as described in embodiments in connection with Table.3.

20 [00156] In various embodiments, a bigger transport block size is for a big packet transmission and a smaller transport block size is for a small packet transmission as described in above embodiments.

[00157] In various embodiments, the receiving means is further configured to receive the transmission configuration information through at least one of a broadcasting signal, a

user equipment specific radio resource control signaling and a physical layer signaling. For example, the mobile terminal can receive the transmission configuration information in DCI.

[00158] According to an aspect of the disclosure it is provided a computer program product comprising at least one non-transitory computer-readable storage medium having
5 computer-executable program instructions stored therein, the computer-executable instructions being configured to, when being executed, cause an apparatus such as a network element to operate as described above.

[00159] According to an aspect of the disclosure it is provided a computer program product comprising at least one non-transitory computer-readable storage medium having
10 computer-executable program instructions stored therein, the computer-executable instructions being configured to, when being executed, cause an apparatus such as a mobile terminal to operate as described above.

[00160] It is noted that any of the components of the network element and mobile element can be implemented as hardware or software modules. In the case of software
15 modules, they can be embodied on a tangible computer-readable recordable storage medium. All of the software modules (or any subset thereof) can be on the same medium, or each can be on a different medium, for example. The software modules can run, for example, on a hardware processor. The method steps can then be carried out using the distinct software modules, as described above, executing on a hardware processor.

[00161] The terms “computer program”, “software” and “computer program code”
20 are meant to include any sequences or human or machine cognizable steps which perform a function. Such program may be rendered in virtually any programming language or environment including, for example, C/C++, Fortran, COBOL, PASCAL, assembly language, markup languages (e.g., HTML, SGML, XML), and the like, as well as object-
25 oriented environments such as the Common Object Request Broker Architecture (CORBA),

Java™ (including J2ME, Java Beans, etc.), Binary Runtime Environment (BREW), and the like.

[00162] The terms “memory” and “storage device” are meant to include, but not limited to, an electronic, magnetic, optical, electromagnetic, infrared, or semiconductor system, apparatus, or device, or any suitable combination of the foregoing. More specific
5 examples (a non-exhaustive list) of the memory or storage device would include the following: an electrical connection having one or more wires, a portable computer diskette, a hard disk, a random access memory (RAM), a read-only memory (ROM), an erasable programmable read-only memory (EPROM or Flash memory), an optical fiber, a portable
10 compact disc read-only memory (CD-ROM), an optical storage device, a magnetic storage device, or any suitable combination of the foregoing.

[00163] In any case, it should be understood that the components illustrated herein may be implemented in various forms of hardware, software, or combinations thereof, for example, application specific integrated circuit(s) (ASICs), functional circuitry, an
15 appropriately programmed general purpose digital computer with associated memory, and the like. Given the teachings of the disclosure provided herein, one of ordinary skill in the related art will be able to contemplate other implementations of the components of the disclosure.

[00164] The terminology used herein is for the purpose of describing particular
20 embodiments only and is not intended to be limiting of the disclosure. As used herein, the singular forms “a,” “an” and “the” are intended to include the plural forms as well, unless the context clearly indicates otherwise. It will be further understood that the terms “comprises” and/or “comprising,” when used in this specification, specify the presence of stated features, integers, steps, operations, elements, and/or components, but do not preclude
25 the presence or addition of another feature, integer, step, operation, element, component, and/or group thereof.

[00165] The descriptions of the various embodiments have been presented for purposes of illustration, but are not intended to be exhaustive or limited to the embodiments disclosed. Many modifications and variations will be apparent to those of ordinary skill in the art without departing from the scope and spirit of the described embodiments.

Claims

What is claimed is:

1. A method, comprising:
transmitting transmission configuration information used by a network element to a
5 mobile terminal for determining transmission parameters, wherein the transmission
configuration information comprises
a first set of parameters comprising at least a first repetition level set index, a first
repetition level index, a first resource allocation and a first transport block size index, or
a second set of parameters comprising at least a second repetition level index, a
10 second resource allocation, and a second transport block size index, or
a third set of parameters comprising at least a modulation and coding scheme level
index, a third resource allocation and a third transport block size index.
2. The method according to claim 1, wherein the transmission configuration
information comprises the first set of parameters, and the transmission parameters comprise
15 at least a number of repetitions which is determined based at least in part on the first
repetition level set index and the first repetition level index.
3. The method according to any one of claims 1-2, wherein the transmission
configuration information comprises the first set of parameters, and one first repetition level
set index corresponds to two or more first transport block size indexes.
- 20 4. The method according to any one of claims 1-3, wherein the transmission
configuration information comprises the first set of parameters, and the transmission
parameters comprise at least a transport block size which is determined based at least in part
on the first repetition level set index, the first resource allocation and the first transport block
size index.
- 25 5. The method according to any one of claims 1-4, wherein the transmission
configuration information comprises the first set of parameters, and a frequency of
transmitting the first repetition level set index and the first repetition level index is equal to
or lower than a frequency of transmitting the first resource allocation and the first transport
block size index.

6. An apparatus, comprising:

a transmitting means configured to transmit transmission configuration information used by the apparatus to a mobile terminal for determining transmission parameters, wherein
5 the transmission configuration information comprises

a first set of parameters comprising at least a first repetition level set index, a first repetition level index, a first resource allocation and a first transport block size index, or

a second set of parameters comprising at least a second repetition level index, a second resource allocation, and a second transport block size index, or

10 a third set of parameters comprising at least a modulation and coding scheme level index, a third resource allocation and a third transport block size index.

7. The apparatus according to claim 6, wherein the transmission configuration information comprises the first set of parameters, and the transmission parameters comprise at least a number of repetitions which is determined based at least in part on the first
15 repetition level set index and the first repetition level index.

8. The apparatus according to any one of claims 6-7, wherein the transmitting means is further configured to transmit the transmission configuration information through at least one of a broadcasting signal, a user equipment specific radio resource control signaling and a physical layer signaling.

20 9. An apparatus, comprising:

at least one processor; and

at least one memory including computer program code,

wherein the at least one memory and the computer program code are configured to, with the at least one processor, cause the apparatus to

25 transmit transmission configuration information used by the apparatus to a mobile terminal for determining transmission parameters, wherein the transmission configuration information comprises

a first set of parameters comprising at least a first repetition level set index, a first repetition level index, a first resource allocation and a first transport block size index, or

a second set of parameters comprising at least a second repetition level index, a second resource allocation, and a second transport block size index, or

a third set of parameters comprising at least a modulation and coding scheme level index, a third resource allocation and a third transport block size index.

5 10. The apparatus according to claim 9, wherein the transmission configuration information comprises the first set of parameters, and the transmission parameters comprise at least a number of repetitions which is determined based at least in part on the first repetition level set index and the first repetition level index.

10 11. The apparatus according to any one of claims 9-10, wherein the transmission configuration information comprises the first set of parameters, and one first repetition level set index corresponds to two or more first transport block size indexes.

15 12. The apparatus according to any one of claims 9-11, wherein the transmission configuration information comprises the first set of parameters, and the transmission parameters comprise at least a transport block size which is determined based at least in part on the first repetition level set index, the first resource allocation and the first transport block size index.

20 13. The apparatus according to any one of claims 9-12, wherein the transmission configuration information comprises the first set of parameters, and a frequency of transmitting the first repetition level set index and the first repetition level index is equal to or lower than a frequency of transmitting the first resource allocation and the first transport block size index.

25 14. The apparatus according to claim 9, wherein the transmission configuration information comprises the second set of parameters, and wherein the transmission parameters comprise at least a second transport block size which is determined based at least in part on the second resource allocation and the second transport block size index.

15 15. The apparatus according to claim 14, wherein the transmission configuration information comprises the second set of parameters, and respective second repetition level set indexes correspond to respective sets of second transport block size indexes which are disjoint from each other.

16. The apparatus according to claim 15, wherein the transmission configuration information comprises the second set of parameters, and a second repetition level set index is determined based at least in part on the respective sets and the second transport block size index.

5 17. The apparatus according to claim 16, wherein the transmission configuration information comprises the second set of parameters, and the transmission parameters comprise at least a number of repetitions which is determined based at least in part on the second repetition level set index and the second repetition level index.

18. The apparatus according to claim 9, wherein the transmission configuration
10 information comprises the third set of parameters, and a third repetition level set index is determined based at least in part on the modulation and coding scheme level index.

19. The apparatus according to any one of claims 9 and 18, wherein the
transmission configuration information comprises the third set of parameters, and the
transmission parameters comprise at least a third transport block size which is determined
15 based at least in part on the third resource allocation and the third transport block size index.

20. The apparatus according to claim 19, wherein the transmission configuration
information comprises the third set of parameters, and respective repetition level indexes
correspond to respective transport block size ranges which are disjoint.

21. The apparatus according to claim 20, wherein the transmission configuration
20 information comprises the third set of parameters, and a third repetition level index is
determined based at least in part on the third transport block size and the respective transport
block size ranges.

22. The apparatus according to claim 21, wherein the transmission configuration
information comprises the third set of parameters, and the transmission parameters comprise
25 at least a number of repetitions which is determined based at least in part on the third
repetition level set index and the third repetition level index.

23. The apparatus according to any one of claims 9-22, wherein a bigger transport
block size is for a big packet transmission and a smaller transport block size is for a small
packet transmission.

24. The apparatus according to any one of claims 9-23, wherein the at least one memory and the computer program code are further configured to, with the at least one processor, cause the apparatus to transmit the transmission configuration information through at least one of a broadcasting signal, a user equipment specific radio resource control signaling and a physical layer signaling.

25. A method, comprising:

receiving transmission configuration information used by a network element for determining transmission parameters, wherein the transmission configuration information comprises

a first set of parameters comprising at least a first repetition level set index, a first repetition level index, a first resource allocation and a first transport block size index, or

a second set of parameters comprising at least a second repetition level index, a second resource allocation, and a second transport block size index, or

a third set of parameters comprising at least a modulation and coding scheme level index, a third resource allocation and a third transport block size index; and

determining transmission parameters used by the network element based at least in part on the transmission configuration information.

26. The method according to claim 25, wherein the transmission configuration information comprises the first set of parameters, and the transmission parameters comprise at least a number of repetitions which is determined based at least in part on the first repetition level set index and the first repetition level index.

27. The method according to any one of claims 25-26, wherein the transmission configuration information comprises the first set of parameters, and one first repetition level set index corresponds to two or more first transport block size indexes.

28. The method according to any one of claims 25-27, wherein the transmission configuration information comprises the first set of parameters, and the transmission parameters comprise at least a transport block size which is determined based at least in part on the first repetition level set index, the first resource allocation and the first transport block size index.

29. The method according to any one of claims 25-28, wherein the transmission configuration information comprises the first set of parameters, and a frequency of receiving the first repetition level set index and the first repetition level index is equal to or lower than a frequency of receiving the first resource allocation and the first transport block size index.

5

30. The method according to any one of claims 25-29, wherein said receiving comprises receiving the transmission configuration information through at least one of a broadcasting signal, a user equipment specific radio resource control signaling and a physical layer signaling.

10 31. An apparatus, comprising:

a receiving means configured to receive transmission configuration information used by a network element for determining transmission parameters, wherein the transmission configuration information comprises

15 a first set of parameters comprising at least a first repetition level set index, a first repetition level index, a first resource allocation and a first transport block size index, or

a second set of parameters comprising at least a second repetition level index, a second resource allocation, and a second transport block size index, or

a third set of parameters comprising at least a modulation and coding scheme level index, a third resource allocation and a third transport block size index; and

20 a determining means configured to determine transmission parameters used by the network element based at least in part on the transmission configuration information.

32. The apparatus according to claim 31, wherein the transmission configuration information comprises the first set of parameters, and the transmission parameters comprise at least a number of repetitions which is determined based at least in part on the first
25 repetition level set index and the first repetition level index.

33. An apparatus, comprising:

at least one processor; and

at least one memory including computer program code,

wherein the at least one memory and the computer program code are configured to, with the at least one processor, cause the apparatus to:

receive transmission configuration information used by a network element for determining transmission parameters, wherein the transmission configuration information
5 comprises

a first set of parameters comprising at least a first repetition level set index, a first repetition level index, a first resource allocation and a first transport block size index, or

a second set of parameters comprising at least a second repetition level index, a second resource allocation, and a second transport block size index, or

10 a third set of parameters comprising at least a modulation and coding scheme level index, a third resource allocation and a third transport block size index; and

determine transmission parameters used by the network element based at least in part on the transmission configuration information.

34. The apparatus according to claim 33, wherein the transmission configuration
15 information comprises the first set of parameters, and the transmission parameters comprise at least a number of repetitions which is determined based at least in part on the first repetition level set index and the first repetition level index.

35. The apparatus according to any one of claims 33-34, wherein the transmission
20 configuration information comprises the first set of parameters, and one first repetition level set index corresponds to two or more first transport block size indexes.

36. The apparatus according to any one of claims 33-35, wherein the transmission
configuration information comprises the first set of parameters, and the transmission
parameters comprise at least a transport block size which is determined based at least in part
on the first repetition level set index, the first resource allocation and the first transport block
25 size index.

37. The apparatus according to any one of claims 33-36, wherein the transmission
configuration information comprises the first set of parameters, and a frequency of receiving
the first repetition level set index and the first repetition level index is equal to or lower than
a frequency of receiving the first resource allocation and the first transport block size index.

38. The apparatus according to any one of claims 33-37, wherein a bigger transport block size is for a big packet transmission and a smaller transport block size is for a small packet transmission.

39. The apparatus according to any one of claims 33-38, wherein the at least one
5 memory and the computer program code are configured to, with the at least one processor, cause the apparatus to receive the transmission configuration information through at least one of a broadcasting signal, a user equipment specific radio resource control signaling and a physical layer signaling.

40. A computer program product comprising at least one non-transitory
10 computer-readable storage medium having computer-executable program instructions stored therein, the computer-executable instructions being configured to, when being executed, cause an apparatus to operate according to any one of claims 1-5.

41. A computer program product comprising at least one non-transitory
15 computer-readable storage medium having computer-executable program instructions stored therein, the computer-executable instructions being configured to, when being executed, cause an apparatus to operate according to any one of claims 25-30.

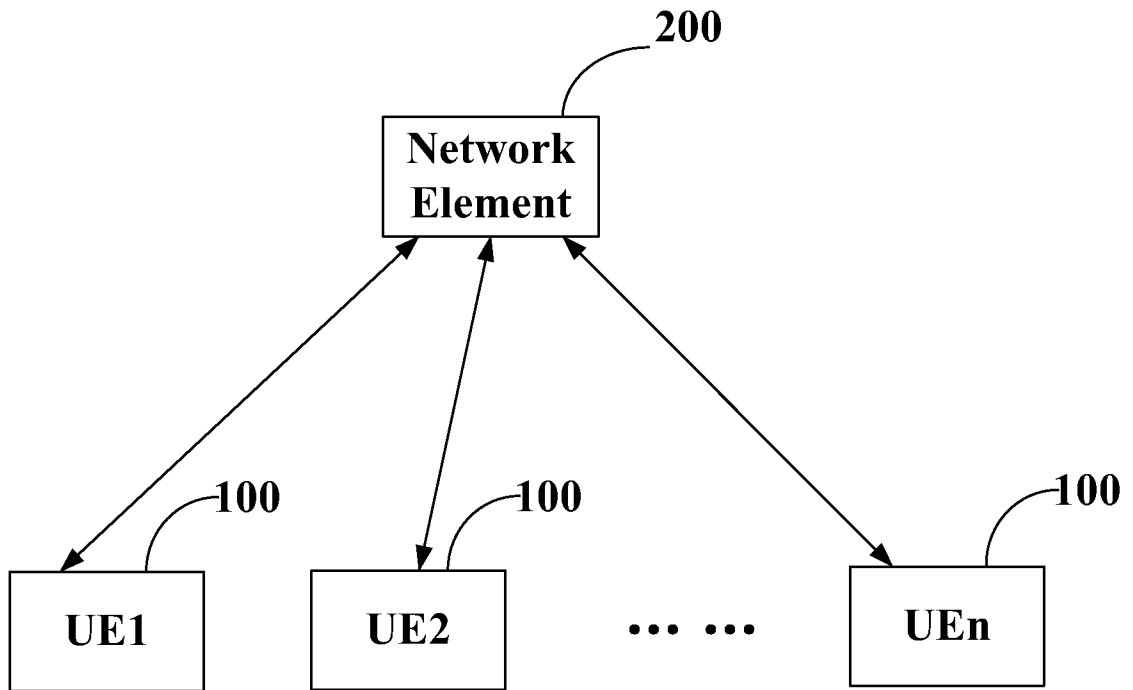
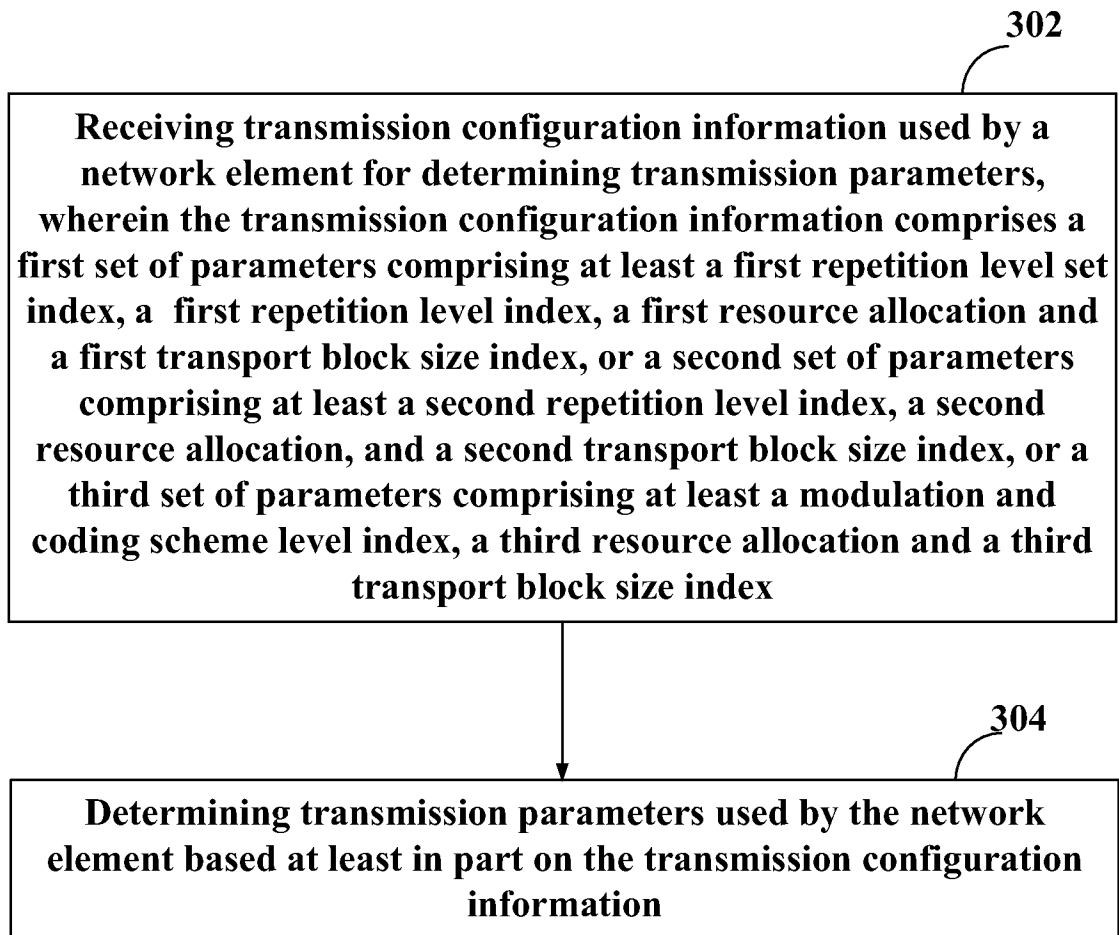


Figure 1

202

Transmitting transmission configuration information used by a network element to a mobile terminal for determining transmission parameters, wherein the transmission configuration information comprises a first set of parameters comprising at least a first repetition level set index, a first repetition level index, a first resource allocation and a first transport block size index, or a second set of parameters comprising at least a second repetition level index, a second resource allocation, and a second transport block size index, or a third set of parameters comprising at least a modulation and coding scheme level index, a third resource allocation and a third transport block size index

Figure 2

**Figure 3**

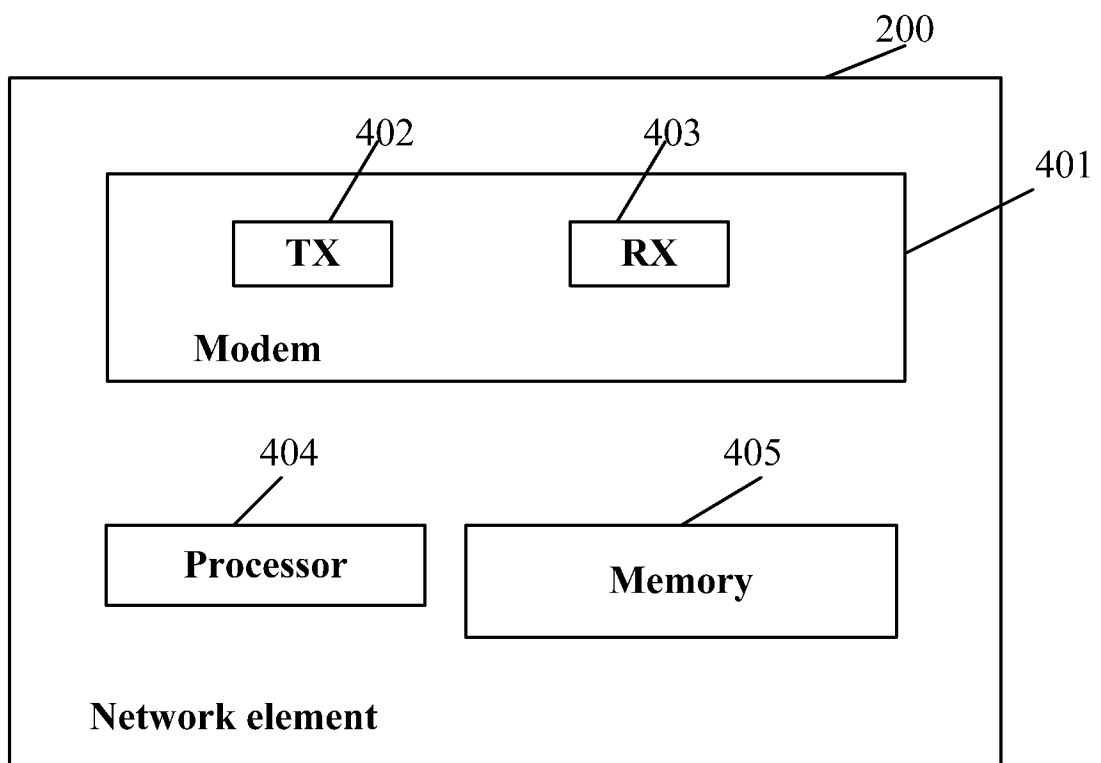


Figure 4

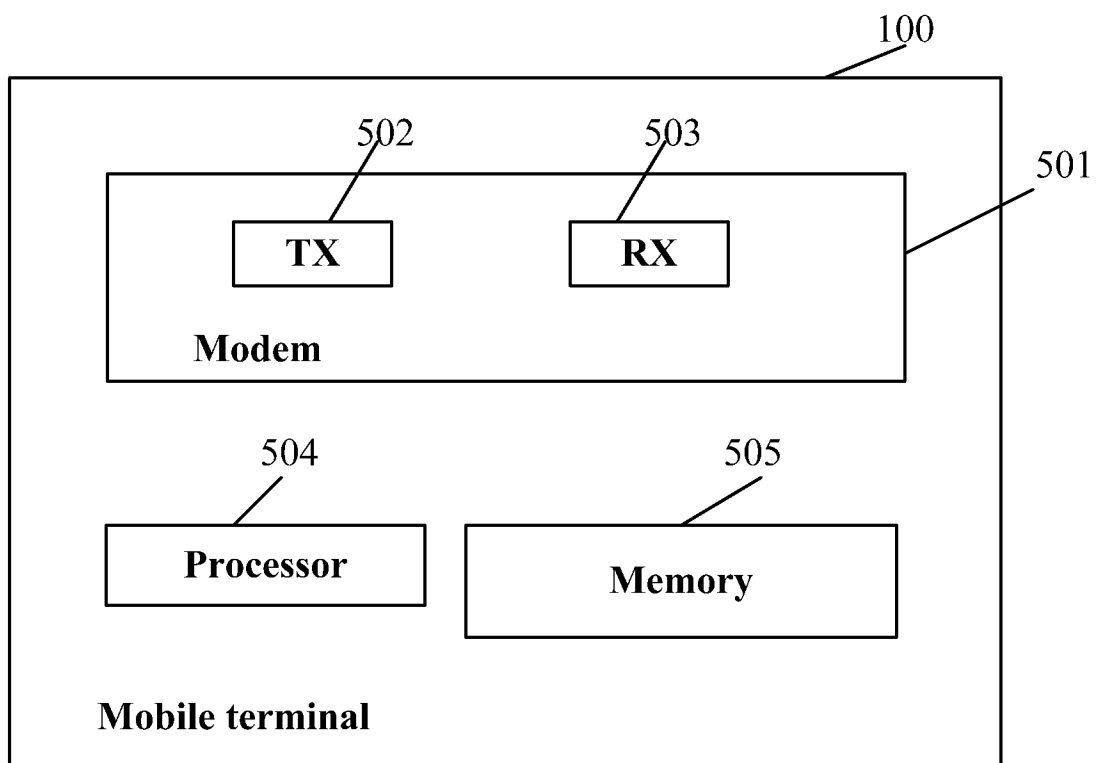


Figure 5

INTERNATIONAL SEARCH REPORT

International application No.

PCT/FI2016/050258

A. CLASSIFICATION OF SUBJECT MATTER		
See extra sheet		
According to International Patent Classification (IPC) or to both national classification and IPC		
B. FIELDS SEARCHED		
Minimum documentation searched (classification system followed by classification symbols)		
IPC: H04W, H04L, Y02B		
Documentation searched other than minimum documentation to the extent that such documents are included in the fields searched		
FI, SE, NO, DK		
Electronic data base consulted during the international search (name of data base, and, where practicable, search terms used)		
EPO-Internal & translations: Thomson Reuters and IPPH/SIPO, WPI, PRH-Internal, XP3GPP, XPAIP, XPESP, XPETSI, XPI3E, XPIEE, XPIETF, XPIOP, XPIPCOM, XPJPEG, XPMISC, XPOAC, XPRD, XPTK, BIOSIS, COMPDX, EMBASE, INSPEC, MEDLINE, PUBCOMP, PUBSUBS, TDB, NPL, SQEMEST, SQEMWGS		
C. DOCUMENTS CONSIDERED TO BE RELEVANT		
Category*	Citation of document, with indication, where appropriate, of the relevant passages	Relevant to claim No.
A	Views on multiple repetition levels for PDSCH/PUSCH. 3GPP Draft; R1-152052; NTT DOCOMO; 3GPP TSG RAN WG1 Meeting #80bis, Belgrade, Serbia, Apr 20-24, 2015; pages 1-3; Downloaded by EPO on 2015-04-11; EPOQUENET NPL XP050950313 entire document, especially Discussion: Repetition level indication; Conclusion	1-41
A	US 2014185479 A1 (LEE CHIEN-MIN [TW]) 03 July 2014 (03.07.2014) entire document, especially paragraph [0071]	1-41
A	Coverage enhancement of PRACH for low cost MTC. 3GPP Draft; R1-135104; Intel Corporation; 3GPP TSG RAN WG1 Meeting #75, San Francisco, USA, Nov 11-15, 2013; pages 1-8; Downloaded by EPO on 2013-11-02; EPOQUENET NPL XP050750738 entire document, especially Random access: Msg 2/3	1-41
<input checked="" type="checkbox"/> Further documents are listed in the continuation of Box C. <input checked="" type="checkbox"/> See patent family annex.		
* Special categories of cited documents:	"T" later document published after the international filing date or priority date and not in conflict with the application but cited to understand the principle or theory underlying the invention	
"A" document defining the general state of the art which is not considered to be of particular relevance	"X" document of particular relevance; the claimed invention cannot be considered novel or cannot be considered to involve an inventive step when the document is taken alone	
"E" earlier application or patent but published on or after the international filing date	"Y" document of particular relevance; the claimed invention cannot be considered to involve an inventive step when the document is combined with one or more other such documents, such combination being obvious to a person skilled in the art	
"L" document which may throw doubts on priority claim(s) or which is cited to establish the publication date of another citation or other special reason (as specified)	"&" document member of the same patent family	
"O" document referring to an oral disclosure, use, exhibition or other means		
"P" document published prior to the international filing date but later than the priority date claimed		
Date of the actual completion of the international search	Date of mailing of the international search report	
15 June 2016 (15.06.2016)	20 June 2016 (20.06.2016)	
Name and mailing address of the ISA/FI Finnish Patent and Registration Office P.O. Box 1160, FI-00101 HELSINKI, Finland Facsimile No. +358 9 6939 5328	Authorized officer Tomi Koskinen Telephone No. +358 9 6939 500	

INTERNATIONAL SEARCH REPORT

International application No.

PCT/FI2016/050258

C (Continuation). DOCUMENTS CONSIDERED TO BE RELEVANT

Category*	Citation of document, with indication, where appropriate, of the relevant passages	Relevant to claim No.
A	SIB1 Scheduling for Rel-13 MTC UE. 3GPP Draft; R2-151428; NEC; 3GPP TSG RAN WG2 Meeting #89b, Bratislava, Slovakia, Apr 20-24, 2015; pages 1-3; Downloaded by EPO on 2015-04-19; EPOQUENET NPL XP050936358 entire document, especially Introduction; Discussion	1-41
P, X	PDSCH/PUSCH repetition level indication. 3GPP Draft; R1-156640; Nokia Networks; 3GPP TSG RAN WG1 Meeting #83, Anaheim, USA, Nov 15-22, 2015; pages 1-3; Downloaded by EPO on 2015-11-15; EPOQUENET NPL XP051003039. Retrieved from the Internet on 2016-06-13: http://www.3gpp.org Discussion; Conclusion: Proposals 3 and 4	1, 6, 8-9, 18-21, 23-25, 30-31, 33, 38-41

INTERNATIONAL SEARCH REPORT
Information on Patent Family Members

International application No.
PCT/FI2016/050258

Patent document cited in search report	Publication date	Patent family members(s)	Publication date
US 2014185479 A1	03/07/2014	CN 103916932 A	09/07/2014
		CN 103916971 A	09/07/2014
		EP 2750308 A2	02/07/2014
		EP 2750456 A1	02/07/2014
		EP 2894805 A1	15/07/2015
		TW 201427326 A	01/07/2014
		TW I510011 B	21/11/2015
		TW 201427453 A	01/07/2014
		TW 201526570 A	01/07/2015
		US 2014185548 A1	03/07/2014
.....			

CLASSIFICATION OF SUBJECT MATTER

IPC
H04W 4/00 (2009.01)
H04W 28/02 (2009.01)
H04W 72/04 (2009.01)
H04W 72/12 (2009.01)