

(19) World Intellectual Property
Organization
International Bureau



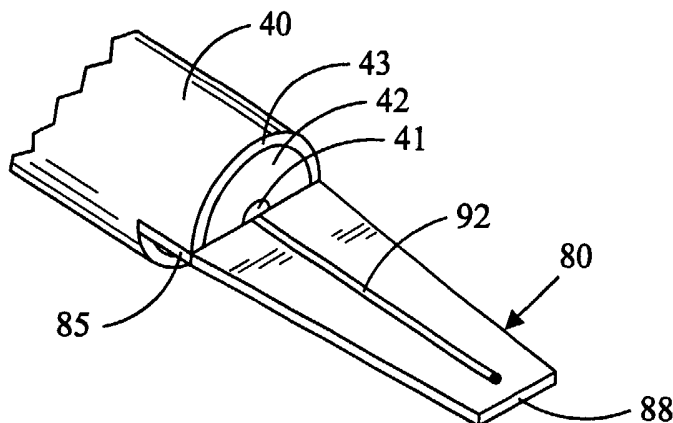
(43) International Publication Date
4 December 2003 (04.12.2003)

PCT

(10) International Publication Number
WO 2003/100445 A3

- (51) International Patent Classification⁷: **G01R 1/06**, 1/067
- (21) International Application Number:
PCT/US2003/016322
- (22) International Filing Date: 23 May 2003 (23.05.2003)
- (25) Filing Language: English
- (26) Publication Language: English
- (30) Priority Data:
60/383,017 23 May 2002 (23.05.2002) US
- (71) Applicant (for all designated States except US): **CASCADE MICROTECH, INC.** [US/US]; 2430 N.W. 206th Street, Beaverton, OR 97006 (US).
- (71) Applicant (for US only): **GLEASON, K., Reed** [US/US]; 9615 N.W. Skyline Boulevard, Portland, OR 97231 (US).
- (72) Inventors: **LESHER, Tim**; 4219 S.E. Cora Street, Portland, OR 97206 (US). **ANDREWS, Mike**; 610 S. Tarrybrook Drive, Cornelius, OR 97113 (US). **MARTIN, John**; 1350 S.W. Maplecrest, Portland, OR 97219 (US). **DUNKLEE, John**; 10440 S.W. View Terrace, Tigard, OR 97224 (US). **HAYDEN, Leonard**; 1008 N.W. Cynthia Drive, Beaverton, OR 97008 (US). **SAFWAT, Amr, M., E.**; 19000 N.W. Evergreen Pkwy., #35, Hillsboro, OR 94214 (US). **STRID, Eric**; 2433 N.W. 83rd Place, Portland, Oregon 97229 (US).
- (74) Agent: **RUSSELL, Kevin, L.**; Chernoff, Vilhauer McClung & Stenzel, LLP, 1600 ODS Tower, 601 S.W. Second Avenue, Portland, OR 97204 (US).
- (81) Designated States (national): AE, AG, AL, AM, AT, AU, AZ, BA, BB, BG, BR, BY, BZ, CA, CH, CN, CO, CR, CU, CZ, DE, DK, DM, DZ, EC, EE, ES, FI, GB, GD, GE, GH, GM, HR, HU, ID, IL, IN, IS, JP, KE, KG, KP, KR, KZ, LC, LK, LR, LS, LT, LU, LV, MA, MD, MG, MK, MN, MW, MX, MZ, NO, NZ, OM, PH, PL, PT, RO, RU, SC, SD, SE, SG, SK, SL, TJ, TM, TN, TR, TT, TZ, UA, UG, US, UZ, VC, VN, YU, ZA, ZM, ZW.
- (84) Designated States (regional): ARIPO patent (GH, GM, KE, LS, MW, MZ, SD, SL, SZ, TZ, UG, ZM, ZW), Eurasian patent (AM, AZ, BY, KG, KZ, MD, RU, TJ, TM), European patent (AT, BE, BG, CH, CY, CZ, DE, DK, EE, ES, FI, FR, GB, GR, HU, IE, IT, LU, MC, NL, PT, RO, SE, SI, SK, TR), OAPI patent (BF, BJ, CF, CG, CI, CM, GA, GN, GQ, GW, ML, MR, NE, SN, TD, TG).
- Published:
— with international search report
- (88) Date of publication of the international search report:
29 January 2004
- For two-letter codes and other abbreviations, refer to the "Guidance Notes on Codes and Abbreviations" appearing at the beginning of each regular issue of the PCT Gazette.

(54) Title: PROBE FOR TESTING A DEVICE UNDER TEST



(57) Abstract: A probe measurement system (40-43, 90, 80, 85, 90, 94) for measuring the electrical characteristics of integrated circuits or other microelectronic devices at high frequencies.

WO 2003/100445 A3

INTERNATIONAL SEARCH REPORT

International application No.

PCT/US03/16322

A. CLASSIFICATION OF SUBJECT MATTER														
IPC(7) : G01R 1/06,067 US CL : 324/754.761,762														
According to International Patent Classification (IPC) or to both national classification and IPC														
B. FIELDS SEARCHED														
Minimum documentation searched (classification system followed by classification symbols) U.S. : 324/72.5,754,761,762; 439/482,824														
Documentation searched other than minimum documentation to the extent that such documents are included in the fields searched														
Electronic data base consulted during the international search (name of data base and, where practicable, search terms used)														
C. DOCUMENTS CONSIDERED TO BE RELEVANT														
Category *	Citation of document, with indication, where appropriate, of the relevant passages	Relevant to claim No.												
A	US 4,983,910 A (MAJIDI-AHY ET AL) 08 JANUARY 1991 (See entire document)													
A	US 4,998,062 A (IKEDA) 05 MARCH 1991 (See entire document)													
<input type="checkbox"/> Further documents are listed in the continuation of Box C. <input type="checkbox"/> See patent family annex.														
<table style="width: 100%; border: none;"> <tr> <td style="width: 50%; border: none;">* Special categories of cited documents:</td> <td style="width: 50%; border: none;"></td> </tr> <tr> <td style="border: none;">"A" document defining the general state of the art which is not considered to be of particular relevance</td> <td style="border: none;">"T" later document published after the international filing date or priority date and not in conflict with the application but cited to understand the principle or theory underlying the invention</td> </tr> <tr> <td style="border: none;">"E" earlier application or patent published on or after the international filing date</td> <td style="border: none;">"X" document of particular relevance; the claimed invention cannot be considered novel or cannot be considered to involve an inventive step when the document is taken alone</td> </tr> <tr> <td style="border: none;">"L" document which may throw doubts on priority claim(s) or which is cited to establish the publication date of another citation or other special reason (as specified)</td> <td style="border: none;">"Y" document of particular relevance; the claimed invention cannot be considered to involve an inventive step when the document is combined with one or more other such documents, such combination being obvious to a person skilled in the art</td> </tr> <tr> <td style="border: none;">"O" document referring to an oral disclosure, use, exhibition or other means</td> <td style="border: none;">"&" document member of the same patent family</td> </tr> <tr> <td style="border: none;">"P" document published prior to the international filing date but later than the priority date claimed</td> <td style="border: none;"></td> </tr> </table>			* Special categories of cited documents:		"A" document defining the general state of the art which is not considered to be of particular relevance	"T" later document published after the international filing date or priority date and not in conflict with the application but cited to understand the principle or theory underlying the invention	"E" earlier application or patent published on or after the international filing date	"X" document of particular relevance; the claimed invention cannot be considered novel or cannot be considered to involve an inventive step when the document is taken alone	"L" document which may throw doubts on priority claim(s) or which is cited to establish the publication date of another citation or other special reason (as specified)	"Y" document of particular relevance; the claimed invention cannot be considered to involve an inventive step when the document is combined with one or more other such documents, such combination being obvious to a person skilled in the art	"O" document referring to an oral disclosure, use, exhibition or other means	"&" document member of the same patent family	"P" document published prior to the international filing date but later than the priority date claimed	
* Special categories of cited documents:														
"A" document defining the general state of the art which is not considered to be of particular relevance	"T" later document published after the international filing date or priority date and not in conflict with the application but cited to understand the principle or theory underlying the invention													
"E" earlier application or patent published on or after the international filing date	"X" document of particular relevance; the claimed invention cannot be considered novel or cannot be considered to involve an inventive step when the document is taken alone													
"L" document which may throw doubts on priority claim(s) or which is cited to establish the publication date of another citation or other special reason (as specified)	"Y" document of particular relevance; the claimed invention cannot be considered to involve an inventive step when the document is combined with one or more other such documents, such combination being obvious to a person skilled in the art													
"O" document referring to an oral disclosure, use, exhibition or other means	"&" document member of the same patent family													
"P" document published prior to the international filing date but later than the priority date claimed														
Date of the actual completion of the international search		Date of mailing of the international search report.												
01 October 2003 (01.10.2003)		03 NOV 2003												
Name and mailing address of the ISA/US		Authorized officer												
Mail Stop PCT, Attn: ISA/US Commissioner for Patents P.O. Box 1450 Alexandria, Virginia 22313-1450 Facsimile No. (703)305-3230		VINH P NGUYEN <i>Dian Smute</i> Telephone No. 703-305-4900 <i>f</i>												