

(19) World Intellectual Property Organization
International Bureau



(43) International Publication Date
5 October 2006 (05.10.2006)

PCT

(10) International Publication Number
WO 2006/104566 A3

- (51) International Patent Classification:
A47F 5/00 (2006.01) F16M 11/00 (2006.01)
A47F 7/00 (2006.01) F16M 13/00 (2006.01)
- (21) International Application Number:
PCT/US2006/003708
- (22) International Filing Date: 1 February 2006 (01.02.2006)
- (25) Filing Language: English
- (26) Publication Language: English
- (30) Priority Data:
11/093,075 28 March 2005 (28.03.2005) US
- (71) Applicant (for all designated States except US): COM-
PVIEW CORPORATION [US/US]; 10035 SW Arctic
Drive, Beaverton, Oregon 97005 (US).
- (72) Inventors; and
- (75) Inventors/Applicants (for US only): WHITE, Paul
[US/US]; 13490 Fielding Road, Lake Oswego, Oregon

97034 (US). VOLLUM, Larry [US/US]; 3325 NW
Skyline Blvd., Portland, Oregon 97229 (US).

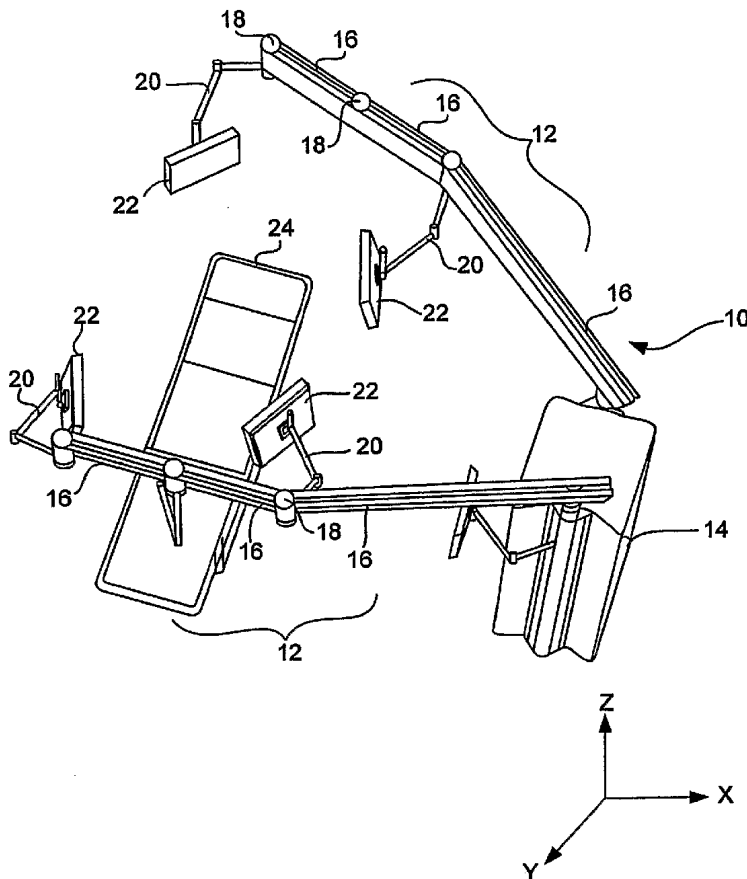
(74) Agent: ROSE, James, W.; BEYER WEAVER &
THOMAS, LLP, P. O. Box 70250, Oakland, California
94612-0250 (US).

(81) Designated States (unless otherwise indicated, for every
kind of national protection available): AE, AG, AL, AM,
AT, AU, AZ, BA, BB, BG, BR, BW, BY, BZ, CA, CH, CN,
CO, CR, CU, CZ, DE, DK, DM, DZ, EC, EE, EG, ES, FI,
GB, GD, GE, GH, GM, HR, HU, ID, IL, IN, IS, JP, KE,
KG, KM, KN, KP, KR, KZ, LC, LK, LR, LS, LT, LU, LV,
LY, MA, MD, MG, MK, MN, MW, MX, MZ, NA, NG, NI,
NO, NZ, OM, PG, PH, PL, PT, RO, RU, SC, SD, SE, SG,
SK, SL, SM, SY, TJ, TM, TN, TR, TT, TZ, UA, UG, US,
UZ, VC, VN, YU, ZA, ZM, ZW.

(84) Designated States (unless otherwise indicated, for every
kind of regional protection available): ARIPO (BW, GH,
GM, KE, LS, MW, MZ, NA, SD, SL, SZ, TZ, UG, ZM,
ZW), Eurasian (AM, AZ, BY, KG, KZ, MD, RU, TJ, TM),
European (AT, BE, BG, CH, CY, CZ, DE, DK, EE, ES, FI,

[Continued on next page]

(54) Title: ARTICULATED BOOM FOR POSITIONING VIDEO AND MEDICAL EQUIPMENT IN HOSPITAL OPERATING ROOMS



(57) Abstract: The present invention is directed to a stationary medical boom that can be easily installed on the floor of an existing operating room and that has one or more articulated arms used to position audio, video and medical equipment over an operating table in an operating room. The boom includes a stationary base configured to be attached to the floor of the operating room. One or more articulated boom arms are supported by the stationary base and extend out over the operating table. Articulated appendage arms, extending from the boom arms, are configured to support the audio, video and other medical equipment used in the operating room in the vicinity of the operating table. Both the articulated boom arm and the articulated appendage arm can be moved in either the X and/or Y directions. Consequently, the equipment supported by the appendage arm can be moved in virtually any position around the operating table.

WO 2006/104566 A3



FR, GB, GR, HU, IE, IS, IT, LT, LU, LV, MC, NL, PL, PT,
RO, SE, SI, SK, TR), OAPI (BF, BJ, CF, CG, CI, CM, GA,
GN, GQ, GW, ML, MR, NE, SN, TD, TG).

(88) Date of publication of the international search report:
16 April 2009

Published:

— *with international search report*

INTERNATIONAL SEARCH REPORT

International application No.

PCT/US06/03708

A. CLASSIFICATION OF SUBJECT MATTER
 IPC: **A47F 5/00(2006.01),7/00(2006.01);F16M 11/00(2006.01),13/00(2006.01)**

 USPC: 248/124.1
 According to International Patent Classification (IPC) or to both national classification and IPC

B. FIELDS SEARCHED
 Minimum documentation searched (classification system followed by classification symbols)
 U.S. : 248/124.1,123.11, 123.2, 917; 359/384,368,363,392

 Documentation searched other than minimum documentation to the extent that such documents are included in the fields searched

 Electronic data base consulted during the international search (name of data base and, where practicable, search terms used)

C. DOCUMENTS CONSIDERED TO BE RELEVANT

Category *	Citation of document, with indication, where appropriate, of the relevant passages	Relevant to claim No.
P, X --- P, Y	US 7,246,780 (ODDSEN, Jr.) 24 July 2007 (24.07.2007)	1-3,5-12,14-19,21-23,25-34,39-55 ----- 4,13,20,24,36,37,56,57

Further documents are listed in the continuation of Box C. See patent family annex.

* Special categories of cited documents:	"T"	later document published after the international filing date or priority date and not in conflict with the application but cited to understand the principle or theory underlying the invention
"A" document defining the general state of the art which is not considered to be of particular relevance	"X"	document of particular relevance; the claimed invention cannot be considered novel or cannot be considered to involve an inventive step when the document is taken alone
"E" earlier application or patent published on or after the international filing date	"Y"	document of particular relevance; the claimed invention cannot be considered to involve an inventive step when the document is combined with one or more other such documents, such combination being obvious to a person skilled in the art
"L" document which may throw doubts on priority claim(s) or which is cited to establish the publication date of another citation or other special reason (as specified)	"&"	document member of the same patent family
"O" document referring to an oral disclosure, use, exhibition or other means		
"P" document published prior to the international filing date but later than the priority date claimed		

Date of the actual completion of the international search 25 April 2008 (25.04.2008)	Date of mailing of the international search report 19 JUN 2008
Name and mailing address of the ISA/US Mail Stop PCT, Attn: ISA/US Commissioner of Patents P.O. Box 1450 Alexandria, Virginia 22313-1450 Facsimile No. (571) 273-3201	Authorized officer AMY J. STERLING <i>[Signature]</i> Telephone No. 571-272-3600