

(19) World Intellectual Property Organization
International Bureau



(43) International Publication Date
29 April 2004 (29.04.2004)

PCT

(10) International Publication Number
WO 2004/036628 A3

(51) International Patent Classification⁷: H01L 21/00

(21) International Application Number:
PCT/EP2003/011178

(22) International Filing Date: 9 October 2003 (09.10.2003)

(25) Filing Language: English

(26) Publication Language: English

(30) Priority Data:
A 1565/2002 16 October 2002 (16.10.2002) AT

(71) Applicant (for all designated States except US): SEZ AG
[AT/AT]; Draubodenweg 29, A-9500 Villach (AT).

(72) Inventor; and

(75) Inventor/Applicant (for US only): PUTZI, Christian
[AT/AT]; Vassacherstrasse 74, A-9500 Villach (AT).

(74) Agent: KONTRUS, Gerhard; c/o SEZ AG, Draubodenweg 29, A-9500 Villach (AT).

(81) Designated States (national): AE, AG, AL, AM, AT, AU, AZ, BA, BB, BG, BR, BY, BZ, CA, CH, CN, CO, CR, CU, CZ, DE, DK, DM, DZ, EC, EE, EG, ES, FI, GB, GD, GE, GH, GM, HR, HU, ID, IL, IN, IS, JP, KE, KG, KP, KR, KZ, LC, LK, LR, LS, LT, LU, LV, MA, MD, MG, MK, MN, MW, MX, MZ, NI, NO, NZ, OM, PG, PH, PL, PT, RO, RU, SC, SD, SE, SG, SK, SL, SY, TJ, TM, TN, TR, TT, TZ, UA, UG, US, UZ, VC, VN, YU, ZA, ZM, ZW.

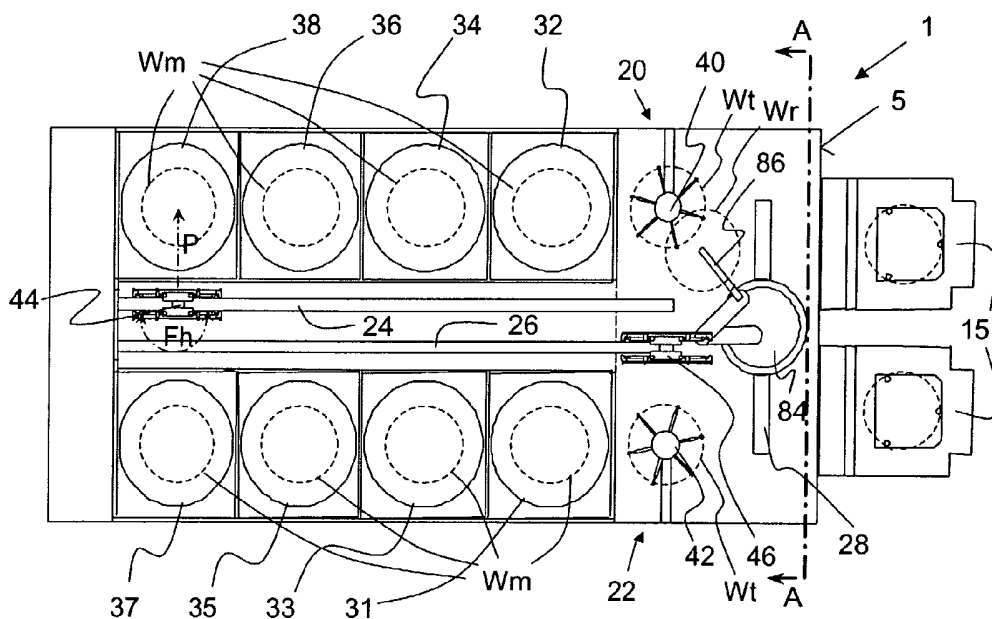
(84) Designated States (regional): ARIPO patent (GH, GM, KE, LS, MW, MZ, SD, SL, SZ, TZ, UG, ZM, ZW), Eurasian patent (AM, AZ, BY, KG, KZ, MD, RU, TJ, TM), European patent (AT, BE, BG, CH, CY, CZ, DE, DK, EE, ES, FI, FR, GB, GR, HU, IE, IT, LU, MC, NL, PT, RO, SE, SI, SK, TR), OAPI patent (BF, BJ, CF, CG, CI, CM, GA, GN, GQ, GW, ML, MR, NE, SN, TD, TG).

Declarations under Rule 4.17:

— as to applicant's entitlement to apply for and be granted a patent (Rule 4.17(ii)) for the following designations AE, AG, AL, AM, AT, AU, AZ, BA, BB, BG, BR, BY, BZ, CA, CH, CN, CO, CR, CU, CZ, DE, DK, DM, DZ, EC, EE, EG, ES, FI, GB, GD, GE, GH, GM, HR, HU, ID, IL, IN, IS, JP, KE,

[Continued on next page]

(54) Title: DEVICE AND METHOD FOR TRANSPORTING WAFER-SHAPED ARTICLES



(57) Abstract: Disclosed is an apparatus for treating wafer-shaped articles comprising at least one linear arranged array of a plurality of at least two process units wherein in each such process unit one single wafer-shaped article can be treated, a cassette-holding unit for holding at least one cassette storing at least one wafer-shaped article therein and a transport system for picking a wafer-shaped article from a cassette and placing it into one of a process unit. The apparatus comprises a transport unit movably mounted on a linear track. Said transport unit comprising at least one holding means for holding a single wafer-shaped article in a substantially vertical plane parallel to the linear track.

WO 2004/036628 A3



- KG, KP, KR, KZ, LC, LK, LR, LS, LT, LU, LV, MA, MD, MG, MK, MN, MW, MX, MZ, NI, NO, NZ, OM, PG, PH, PL, PT, RO, RU, SC, SD, SE, SG, SK, SL, SY, TJ, TM, TN, TR, TT, TZ, UA, UG, UZ, VC, VN, YU, ZA, ZM, ZW, ARIPO patent (GH, GM, KE, LS, MW, MZ, SD, SL, SZ, TZ, UG, ZM, ZW), Eurasian patent (AM, AZ, BY, KG, KZ, MD, RU, TJ, TM), European patent (AT, BE, BG, CH, CY, CZ, DE, DK, EE, ES, FI, FR, GB, GR, HU, IE, IT, LU, MC, NL, PT, RO, SE, SI, SK, TR), OAPI patent (BF, BJ, CF, CG, CI, CM, GA, GN, GQ, GW, ML, MR, NE, SN, TD, TG)
- as to the applicant's entitlement to claim the priority of the earlier application (Rule 4.17(iii)) for the following designation US
- of inventorship (Rule 4.17(iv)) for US only
- Published:**
- with international search report
- before the expiration of the time limit for amending the claims and to be republished in the event of receipt of amendments
- (88) Date of publication of the international search report:**
1 July 2004
- For two-letter codes and other abbreviations, refer to the "Guidance Notes on Codes and Abbreviations" appearing at the beginning of each regular issue of the PCT Gazette.

INTERNATIONAL SEARCH REPORT

International Application No
PCT/EP 03/11178

A. CLASSIFICATION OF SUBJECT MATTER
IPC 7 H01L21/00

According to International Patent Classification (IPC) or to both national classification and IPC

B. FIELDS SEARCHED

Minimum documentation searched (classification system followed by classification symbols)
IPC 7 H01L

Documentation searched other than minimum documentation to the extent that such documents are included in the fields searched

Electronic data base consulted during the international search (name of data base and, where practical, search terms used)

EPO-Internal, WPI Data, PAJ

C. DOCUMENTS CONSIDERED TO BE RELEVANT

Category °	Citation of document, with indication, where appropriate, of the relevant passages	Relevant to claim No.
X	PATENT ABSTRACTS OF JAPAN vol. 2000, no. 05, 14 September 2000 (2000-09-14) & JP 2000 049206 A (DAINIPPON SCREEN MFG CO LTD), 18 February 2000 (2000-02-18) abstract	1, 3-5, 9
Y	----	2, 6, 7
X	US 4 981 408 A (HUGUES ET AL.) 1 January 1991 (1991-01-01) abstract; figures 1-6 ----- -/--	1

Further documents are listed in the continuation of box C.

Patent family members are listed in annex.

° Special categories of cited documents :

- *A* document defining the general state of the art which is not considered to be of particular relevance
- *E* earlier document but published on or after the international filing date
- *L* document which may throw doubts on priority claim(s) or which is cited to establish the publication date of another citation or other special reason (as specified)
- *O* document referring to an oral disclosure, use, exhibition or other means
- *P* document published prior to the international filing date but later than the priority date claimed

- *T* later document published after the international filing date or priority date and not in conflict with the application but cited to understand the principle or theory underlying the invention
- *X* document of particular relevance; the claimed invention cannot be considered novel or cannot be considered to involve an inventive step when the document is taken alone
- *Y* document of particular relevance; the claimed invention cannot be considered to involve an inventive step when the document is combined with one or more other such documents, such combination being obvious to a person skilled in the art.
- * & * document member of the same patent family

Date of the actual completion of the international search

23 April 2004

Date of mailing of the international search report

03/05/2004

Name and mailing address of the ISA

European Patent Office, P.B. 5818 Patentlaan 2
NL - 2280 HV Rijswijk
Tel. (+31-70) 340-2040, Tx. 31 651 epo nl,
Fax: (+31-70) 340-3016

Authorized officer

Oberle, T

INTERNATIONAL SEARCH REPORT

International Application No

PCT/EP 03/11178

C.(Continuation) DOCUMENTS CONSIDERED TO BE RELEVANT		
Category °	Citation of document, with indication, where appropriate, of the relevant passages	Relevant to claim No.
Y	PATENT ABSTRACTS OF JAPAN vol. 2002, no. 02, 2 April 2002 (2002-04-02) & JP 2001 274232 A (TOKYO ELECTRON LTD), 5 October 2001 (2001-10-05) abstract	2,7
A	---	1
Y	US 2002/078892 A1 (TAKAHASHI) 27 June 2002 (2002-06-27) abstract; figures 5,6	6
A	-----	1,7,8

INTERNATIONAL SEARCH REPORT

International Application No
PCT/EP 03/11178

Patent document cited in search report		Publication date	Patent family member(s)		Publication date
JP 2000049206	A	18-02-2000	NONE		
US 4981408	A	01-01-1991	EP	0458936 A1	04-12-1991
			JP	4504635 T	13-08-1992
			WO	9108968 A1	27-06-1991
JP 2001274232	A	05-10-2001	NONE		
US 2002078892	A1	27-06-2002	JP	2002203884 A	19-07-2002