



US00D697473S

(12) **United States Design Patent**
Guccione et al.

(10) **Patent No.:** **US D697,473 S**

(45) **Date of Patent:** **** *Jan. 14, 2014**

(54) **DEVICE BATTERY CHARGER**

(75) Inventors: **Darren S. Guccione**, Wheaton, IL (US);
Craig B. Lurey, El Dorado Hills, CA
(US); **Isaac Kim**, Chicago, IL (US)

(73) Assignee: **Callpod, Inc.**, Chicago, IL (US)

(*) Notice: This patent is subject to a terminal disclaimer.

(**) Term: **14 Years**

(21) Appl. No.: **29/392,199**

(22) Filed: **May 18, 2011**

Related U.S. Application Data

(62) Division of application No. 29/360,515, filed on Apr. 27, 2010, now Pat. No. Des. 644,989.

(51) **LOC (10) Cl.** **13-02**

(52) **U.S. Cl.** **D13/108**
USPC

(58) **Field of Classification Search**
USPC D13/102, 107-110, 118-119, 184, 199;
D14/251, 253, 432, 434; 320/107-115
See application file for complete search history.

(56) **References Cited**

U.S. PATENT DOCUMENTS

D402,642 S	*	12/1998	Faranda et al.	D14/434
D436,596 S		1/2001	Ito et al.		
D450,707 S		11/2001	Francavilla et al.		
D470,849 S		2/2003	Bertagnole et al.		
D471,558 S	*	3/2003	Wada	D14/434
D489,321 S		5/2004	Krieger et al.		
D599,736 S		9/2009	Ferber et al.		
D611,407 S		3/2010	Webb		

D611,408 S	3/2010	Ferber et al.
D611,898 S	3/2010	Yang
D611,899 S	3/2010	Yang
D611,900 S	3/2010	Yang
D613,685 S	4/2010	Ju et al.
D616,890 S	6/2010	Lewandowski et al.
D623,133 S	9/2010	Nomi et al.

* cited by examiner

Primary Examiner — Rosemary K Tarcza

(74) *Attorney, Agent, or Firm* — Blanchard & Associates

(57) **CLAIM**

The ornamental design for a device battery charger, as shown and described.

DESCRIPTION

FIG. 1 is an isometric view of a bottom, back, and left side of the device battery charger;

FIG. 2 is an isometric view of a top, front, and left side of the device battery charger of FIG. 1;

FIG. 3 is a top plan view of the device battery charger of FIG. 1;

FIG. 4 is a bottom plan view of the device battery charger of FIG. 1;

FIG. 5 is a right side elevational view of the device battery charger of FIG. 1;

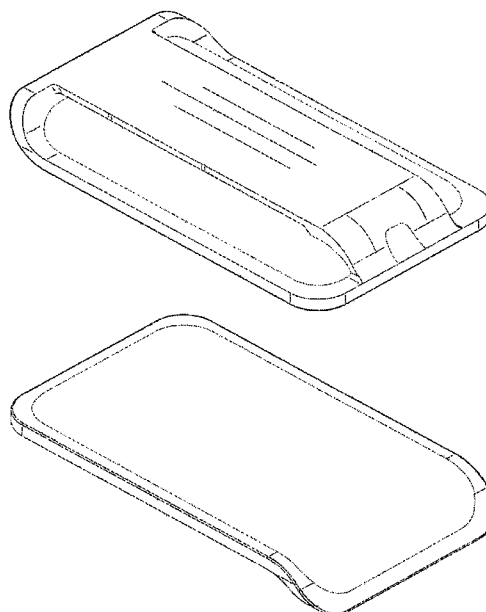
FIG. 6 is a left side elevational view of the device battery charger of FIG. 1;

FIG. 7 is a front elevational view of the device battery charger of FIG. 1; and,

FIG. 8 is a rear elevational view of the device battery charger of FIG. 1.

The broken lines are for the purpose of illustrating environmental structure and form no part of the claimed design.

1 Claim, 3 Drawing Sheets



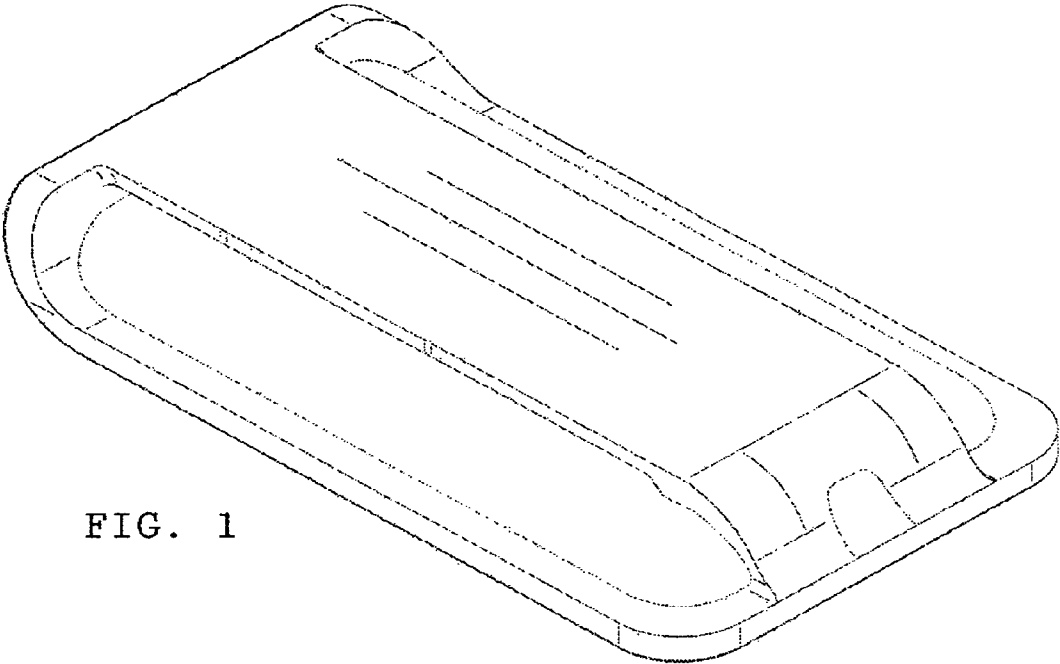


FIG. 1

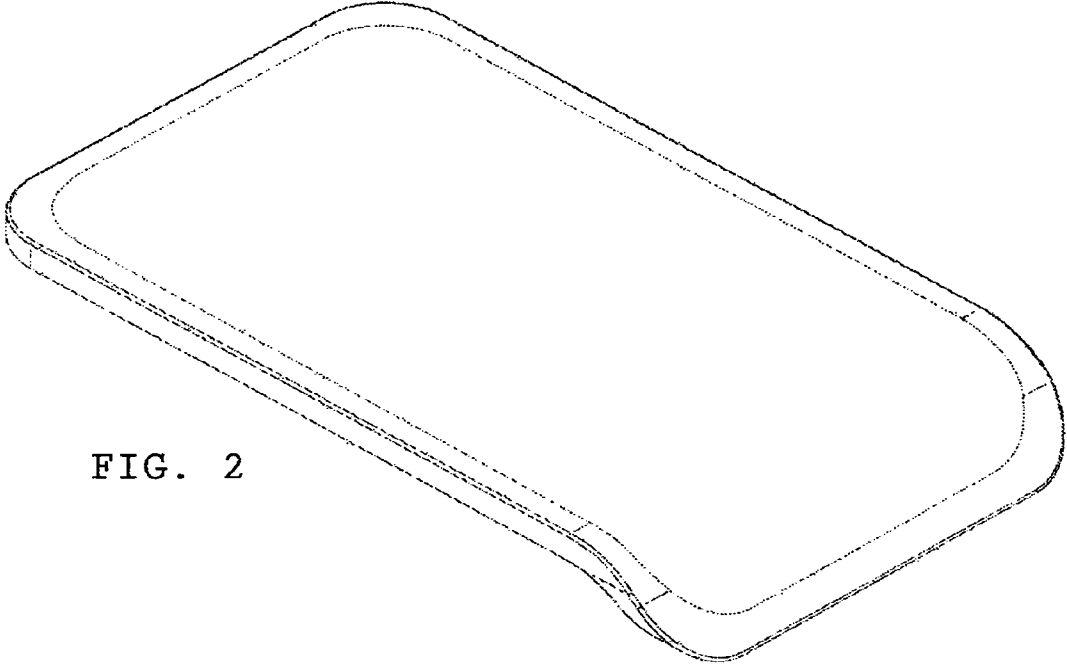


FIG. 2

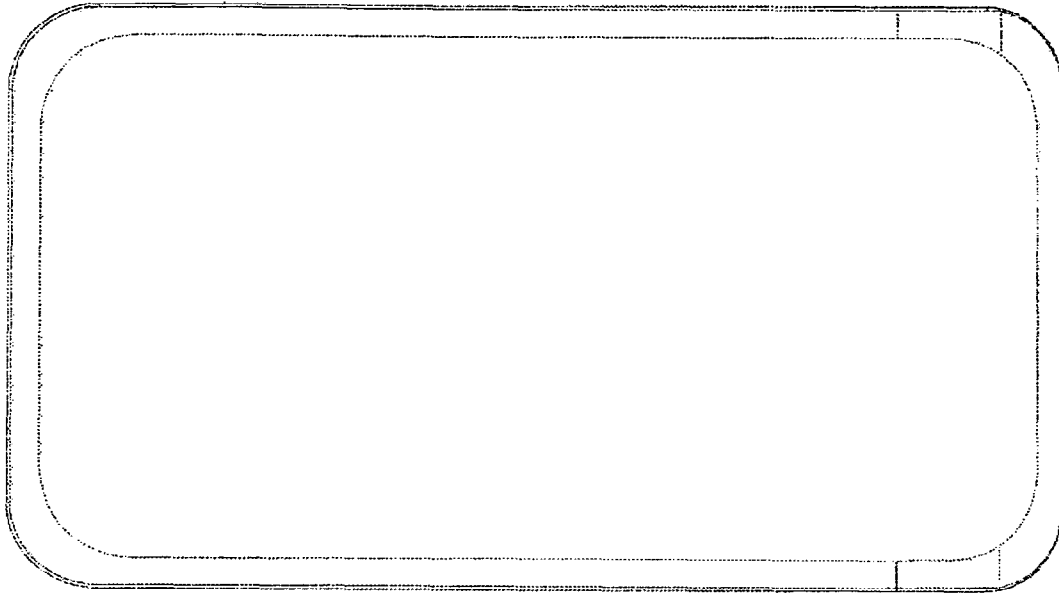


FIG. 3

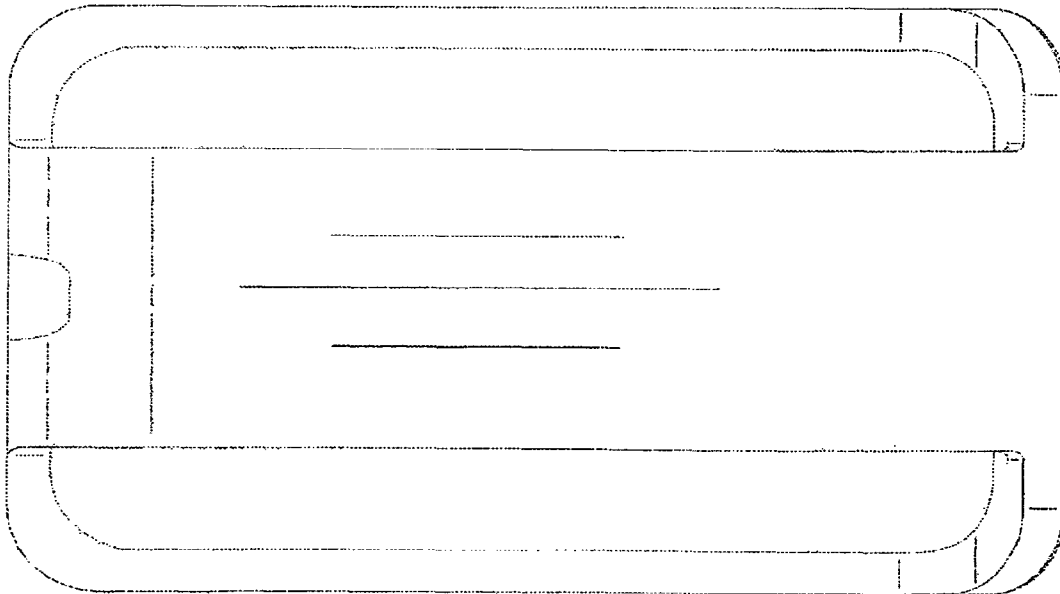


FIG. 4

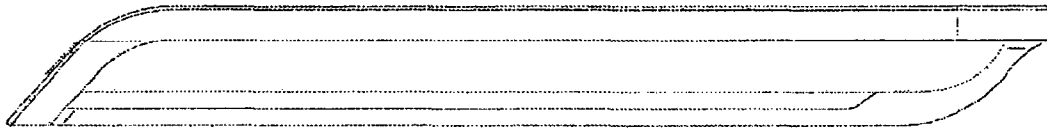


FIG. 5

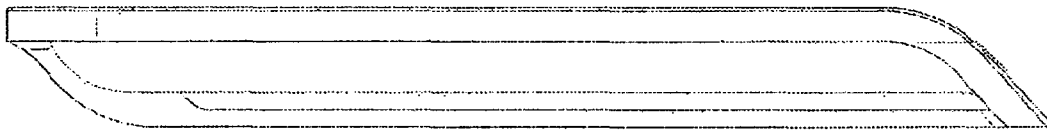


FIG. 6

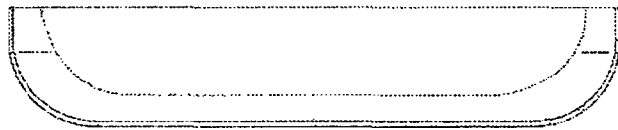


FIG. 7

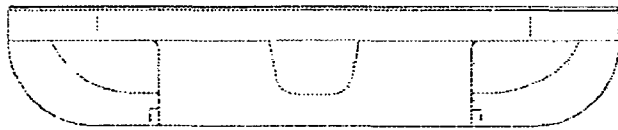


FIG. 8