

[54] **COMBINED CUP AND TOWEL DISPENSER**

[75] Inventor: **Randall N. Bartlett**, Bay Minette, Ala.

[73] Assignee: **Syntex (U.S.A.) Inc.**, Palo Alto, Calif.

[**] Term: **14 Years**

[21] Appl. No.: **515,000**

[22] Filed: **Jul. 18, 1983**

[52] U.S. Cl. **D6/516; D6/522; D6/527**

[58] **Field of Search** **D6/515, 516, 518, 519, D6/522, 527, 535, 553, 559; 221/193, 194, 45, 282, 283; 312/37, 42, 43, 50, 60; 211/49.1**

[56] **References Cited**

U.S. PATENT DOCUMENTS

D. 205,412	8/1966	Clark	D6/522
D. 226,780	4/1973	Thompson	D6/516
D. 263,180	3/1982	Herbst	D6/522
2,274,866	3/1942	Martens	221/283
2,990,950	7/1961	Alexander	221/45

3,069,048	12/1962	Easton et al.	221/45
3,389,883	6/1968	Johnson	248/311.2

OTHER PUBLICATIONS

Sweet's Catalog File-arch, 1978, Sec. 10.16/AC, p. 8, Cabinet w/Towel and Cup Dispenser, #0425, middle of page.

Primary Examiner—B. J. Bullock
Assistant Examiner—Suzanne N. Gitlin
Attorney, Agent, or Firm—David A. Lowin

[57] **CLAIM**

The ornamental design for a combined cup and towel dispenser, substantially as shown.

DESCRIPTION

FIG. 1 is a front elevational view of a combined cup and towel dispenser showing my new design;
FIG. 2 is a rear elevational view thereof;
FIG. 3 is a side elevational view taken from the right of FIG. 1;
FIG. 4 is a side elevational view taken from the left of FIG. 1;
FIG. 5 is a front perspective view thereof.

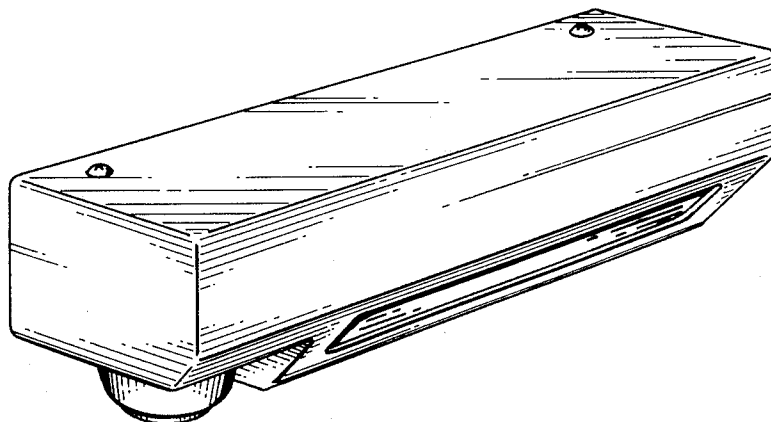


FIG. 1

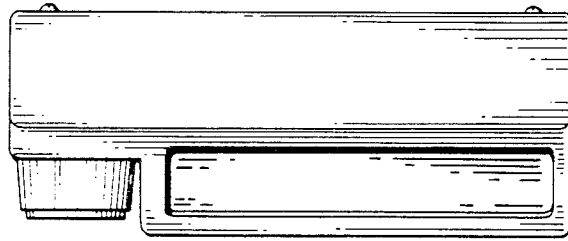


FIG. 2

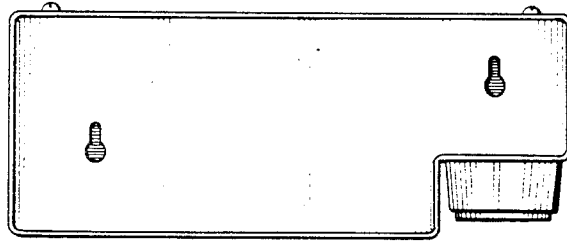


FIG. 3

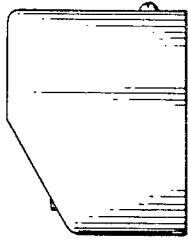


FIG. 4

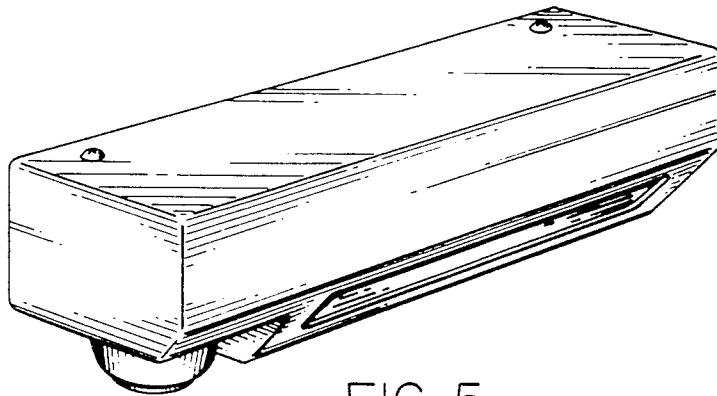
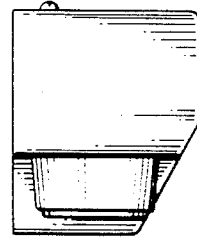


FIG. 5