



US00D454466S

(12) **United States Design Patent**  
**Hong**

(10) **Patent No.:** **US D454,466 S**

(45) **Date of Patent:** **\*\* Mar. 19, 2002**

(54) **COFFEE MAKER**

(75) Inventor: **Morgan Hong**, Taipei (TW)

(73) Assignee: **ATICO International USA, Inc.**, Ft. Lauderdale, FL (US)

(\*\*) Term: **14 Years**

(21) Appl. No.: **29/133,135**

(22) Filed: **Nov. 22, 2000**

(51) **LOC (7) Cl.** ..... **07-01**

(52) **U.S. Cl.** ..... **D7/309; D7/310; D7/311**

(58) **Field of Search** ..... **D7/300, 309, 310, D7/311; 99/284, 280, 295, 293, 300, 291; 392/444**

(56) **References Cited**

**U.S. PATENT DOCUMENTS**

D248,720 S	*	8/1978	Sato et al.	.....	D7/309
D250,316 S	*	11/1978	Painter et al.	.....	D7/309
5,855,163 A	*	1/1999	DeMars	.....	99/291
D407,261 S	*	3/1999	Lucas et al.	.....	D7/309

D432,849 S	*	10/2000	Brady et al.	.....	D7/309
D439,103 S	*	3/2001	Cruz	.....	D7/309
D446,989 S	*	8/2001	Cruz	.....	D7/309
D447,903 S	*	9/2001	Lin	.....	D7/309
D447,904 S	*	9/2001	Kling	.....	D7/309

\* cited by examiner

*Primary Examiner*—M. N. Pandozzi

(74) *Attorney, Agent, or Firm*—Cobrin & Gittes

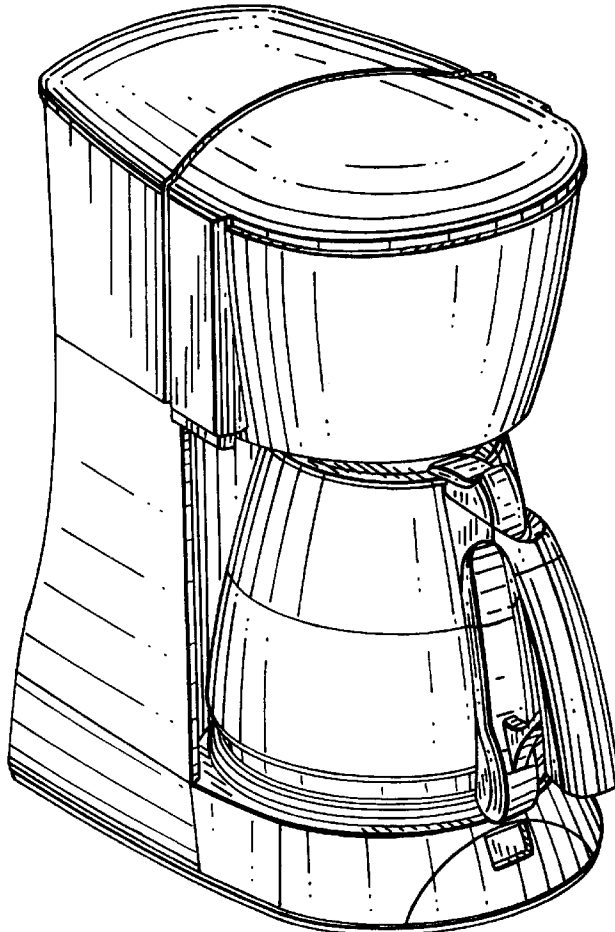
(57) **CLAIM**

The ornamental design for a coffee maker, as shown and described.

**DESCRIPTION**

FIG. 1 is a top, front and left side perspective view of a coffee maker in accordance with invention;  
 FIG. 2 is a top plan view thereof;  
 FIG. 3 is a left side view thereof;  
 FIG. 4 is a front plan view thereof;  
 FIG. 5 is a right side view thereof;  
 FIG. 6 is a rear plan thereof; and,  
 FIG. 7 is a bottom plan view thereof.

**1 Claim, 4 Drawing Sheets**



*FIG. 1*

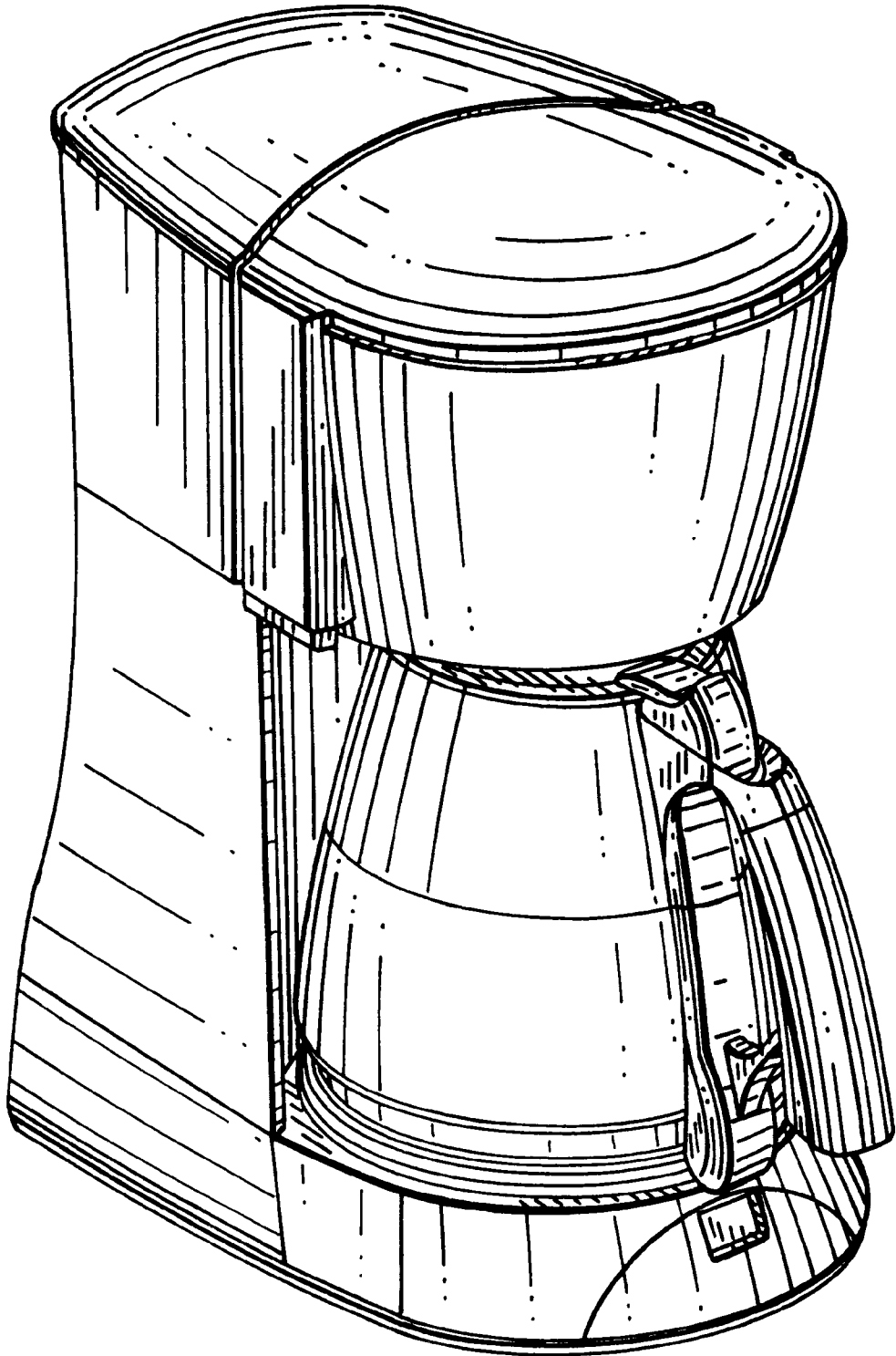


FIG. 2

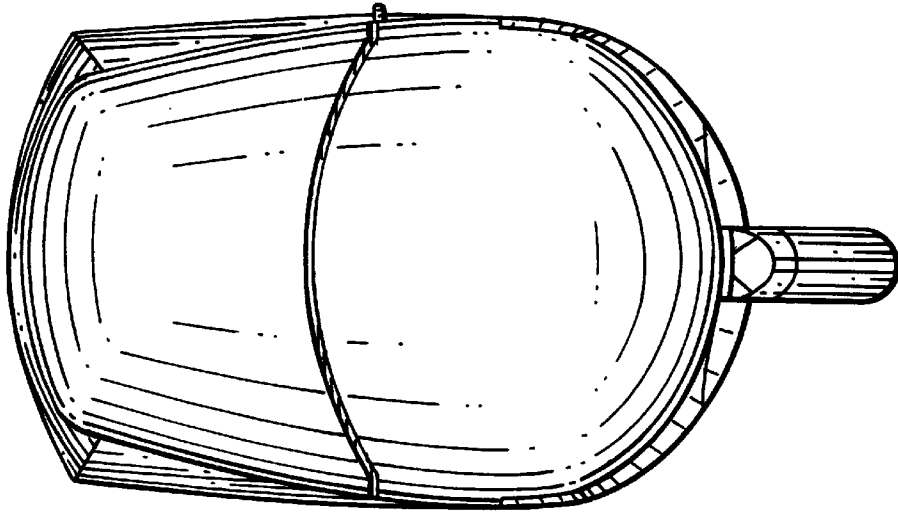


FIG. 3

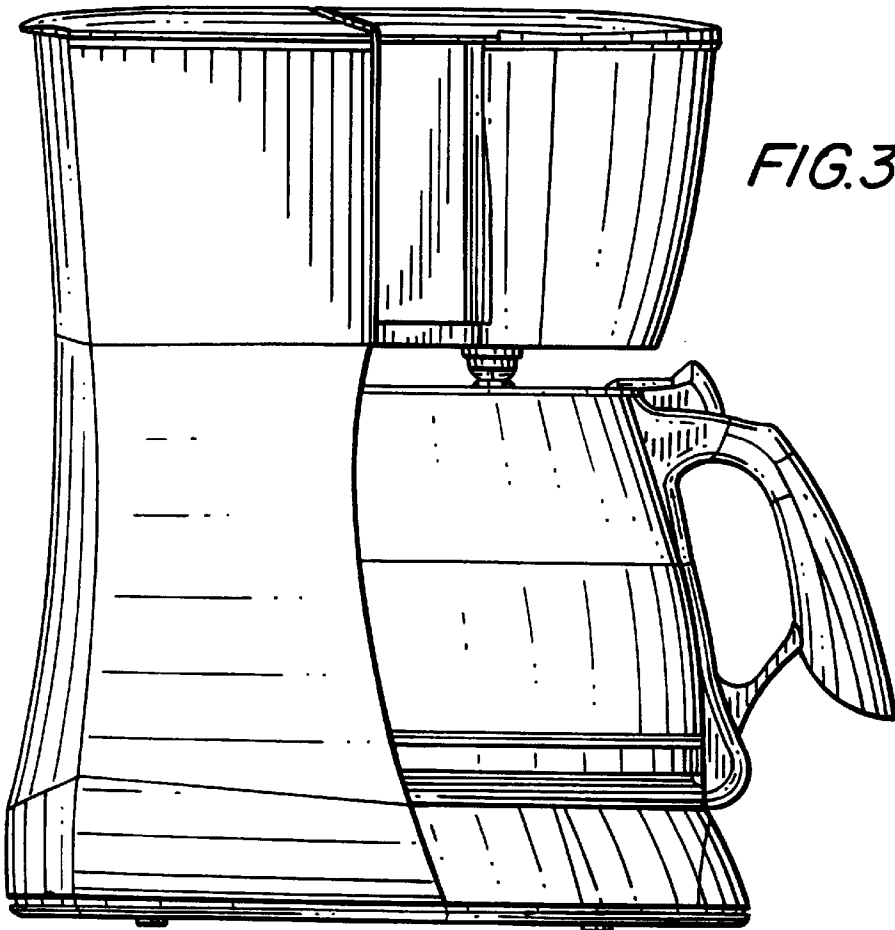


FIG.5

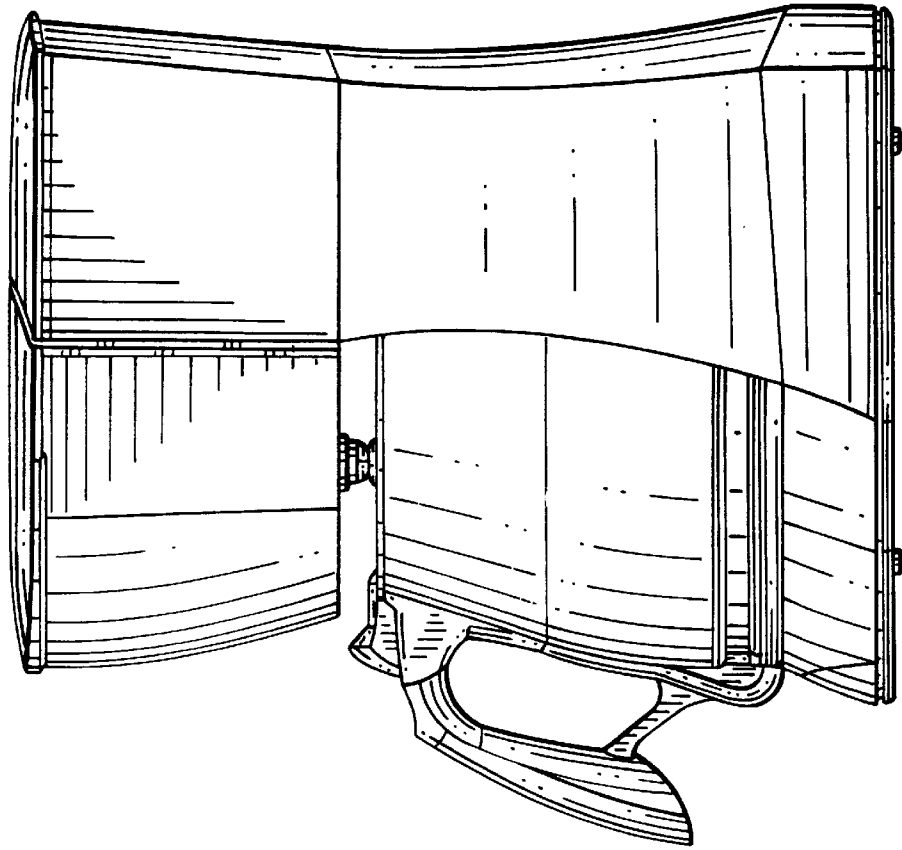
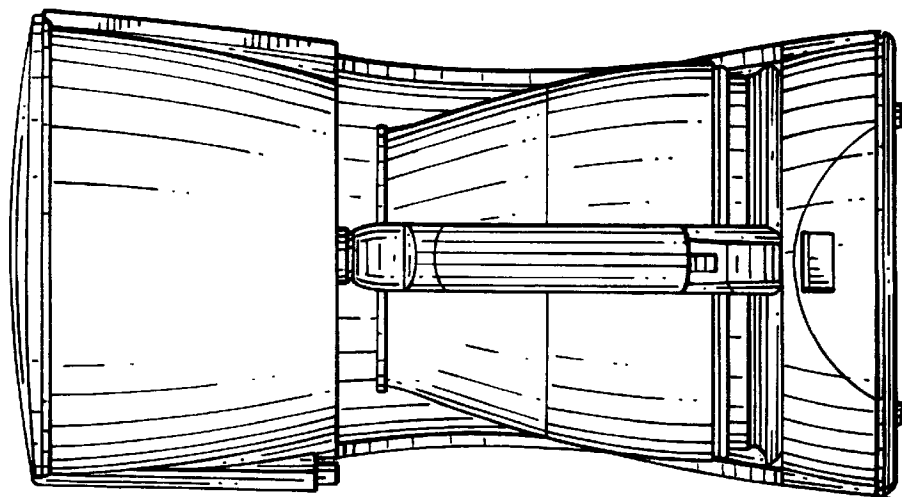
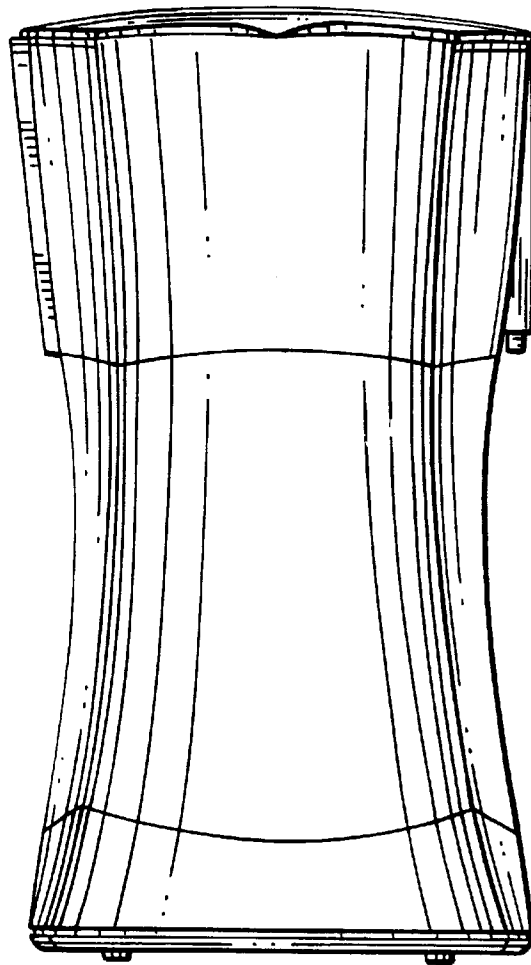


FIG.4



*FIG. 6*



*FIG. 7*

