



US00D686012S

(12) **United States Design Patent**
Korb

(10) **Patent No.:** **US D686,012 S**

(45) **Date of Patent:** **** Jul. 16, 2013**

(54) **SUPPORT FRAME**

(75) Inventor: **Daniel Korb**, Baden (CH)

(73) Assignee: **DSA International, Inc.**, Zeeland, MI (US)

(**) Term: **14 Years**

(21) Appl. No.: **29/380,451**

(22) Filed: **Dec. 6, 2010**

(51) **LOC (9) Cl.** **06-01**

(52) **U.S. Cl.**
USPC **D6/495**

(58) **Field of Classification Search**
USPC D6/334-338, 349, 355, 361, 368-370,
D6/376, 379-381, 492, 500-502; 297/16.1,
297/42, 94, 135, 175, 232, 233, 350, 351,
297/445.1, 448.1, 448.2, 451.9; 5/12.1, 12.2
See application file for complete search history.

(56) **References Cited**

U.S. PATENT DOCUMENTS

56,986 A	8/1866	Oppenheimer	248/188
297,931 A	4/1884	Groebel	248/188
1,176,797 A	3/1916	Newell	126/40
1,520,518 A	12/1924	Thomason	108/64
1,645,421 A	10/1927	Edward	248/188
2,020,503 A	11/1935	Hanson	248/188.5
2,143,542 A	1/1939	Clarín	248/188
2,157,955 A	5/1939	Hallowell	248/188.1
2,403,338 A	7/1946	Guy	108/64
2,485,172 A	10/1949	Roy	403/219
D179,868 S	3/1957	Trautvetter	D06/495
2,819,937 A	1/1958	Bullock	108/64
2,848,289 A	8/1958	Page	52/584.1

(Continued)

OTHER PUBLICATIONS

Pfeiffer, Eric. *Crate and Barrel "Fold Desk"* Aug. 26, 2010.

Primary Examiner — Sandra Snapp

(74) *Attorney, Agent, or Firm* — Taft Stettinius & Hollister LLP

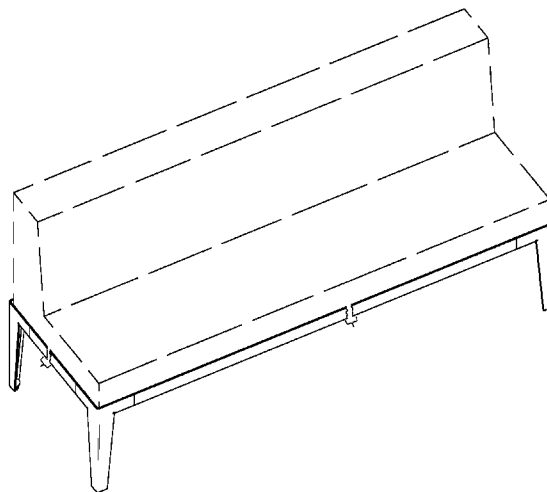
(57) **CLAIM**

The ornamental design for a support frame, as shown and described.

DESCRIPTION

FIG. 1 is an upper perspective view of a support frame, showing my new design;
 FIG. 2 is a second upper perspective view thereof;
 FIG. 3 is a lower perspective view thereof;
 FIG. 4 is an upper side perspective view thereof;
 FIG. 5 is a side elevational view thereof;
 FIG. 6 is a top plan view thereof;
 FIG. 7 is a partial side elevational view thereof;
 FIG. 8 is a partial upper perspective view thereof;
 FIG. 9 is a partial perspective view thereof;
 FIG. 10 is second partial perspective view thereof;
 FIG. 11 is a third partial perspective view thereof;
 FIG. 12 is a cross section through A-A in FIG. 6;
 FIG. 13 is an upper perspective view of a support frame, showing a second embodiment of my new design;
 FIG. 14 is a second upper perspective view thereof;
 FIG. 15 is a lower perspective view thereof;
 FIG. 16 is an upper side perspective view thereof;
 FIG. 17 is a side elevational view thereof;
 FIG. 18 is a top plan view thereof;
 FIG. 19 is a partial side elevational view thereof;
 FIG. 20 is a partial upper perspective view thereof;
 FIG. 21 is a partial perspective view thereof;
 FIG. 22 is second partial perspective view thereof;
 FIG. 23 is a third partial perspective view thereof; and,
 FIG. 24 is a cross section through B-B in FIG. 18.
 The broken lines shown in the figures are for illustrative purposes only and form no part of the claimed design.

1 Claim, 24 Drawing Sheets



US D686,012 S

Page 2

U.S. PATENT DOCUMENTS

2,873,035 A	2/1959	Unis	108/186	4,126,289 A	11/1978	Uhlig	248/188.1
2,899,165 A	8/1959	James	248/188.8	4,313,586 A	2/1982	Grzesnikowski	248/188.4
D186,308 S *	10/1959	Knoll	D6/334	4,409,906 A	10/1983	Alneng	514/356
2,913,207 A	11/1959	Eash	248/148	4,860,667 A	8/1989	Cardenas	108/115
D192,913 S *	5/1962	Wilson	D6/336	4,879,800 A	11/1989	Rumman	29/450
3,036,657 A	5/1962	Ladue	182/224	D336,995 S *	7/1993	Diaz-Azcuy	D6/334
3,081,841 A	3/1963	Mauro	182/224	5,425,520 A	6/1995	Masumoto	248/247
3,093,410 A *	6/1963	Wilson	297/119	D428,283 S	7/2000	Zaidman	D06/495
3,127,216 A *	3/1964	Clouse	297/134	D431,381 S *	10/2000	Gomez	D6/361
3,241,885 A	3/1966	Deaton	297/440.14	D472,408 S	4/2003	Carroll	D06/495
3,295,472 A	1/1967	Larson	108/147.18	D614,884 S *	5/2010	Metcalf et al.	D6/381
3,299,840 A	1/1967	Richard	108/157.1	2002/0166482 A1	11/2002	Goldberg et al.	108/64
D241,485 S *	9/1976	Blodee	D6/336	2004/0178306 A1	9/2004	Hallberg	248/188

* cited by examiner

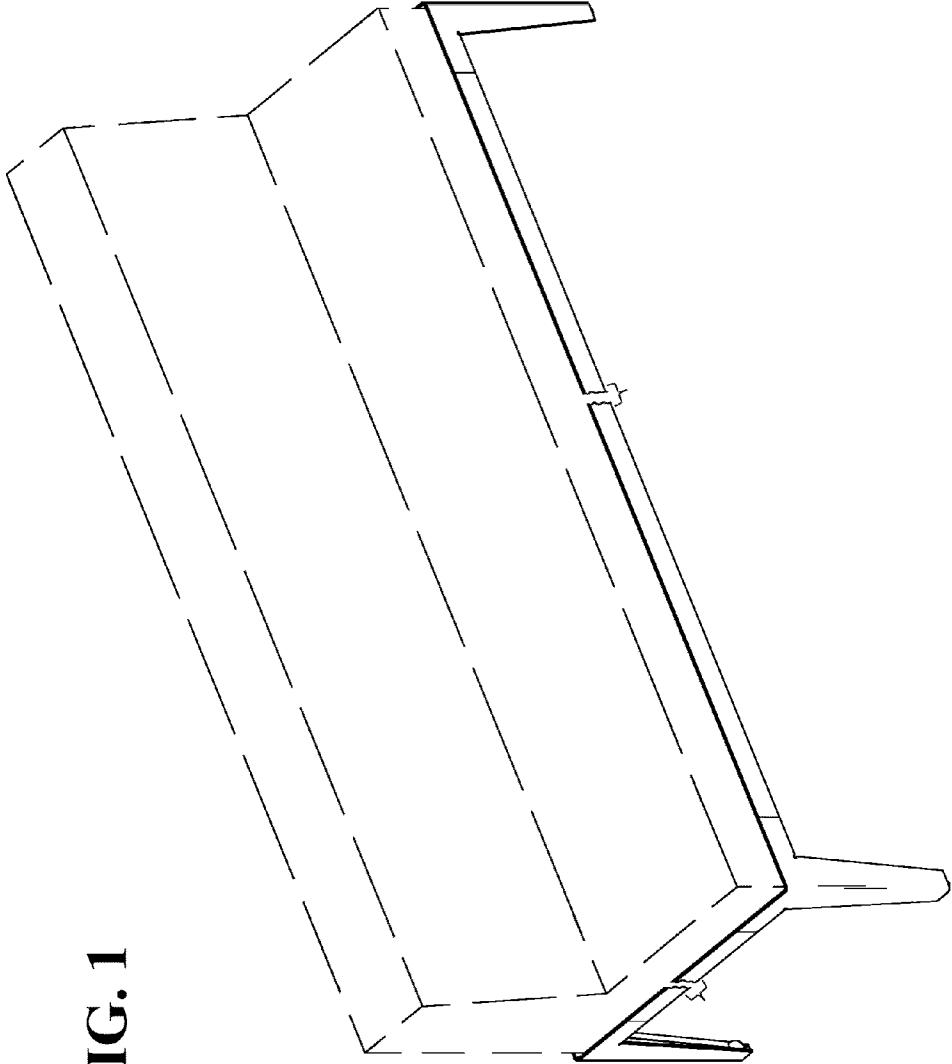
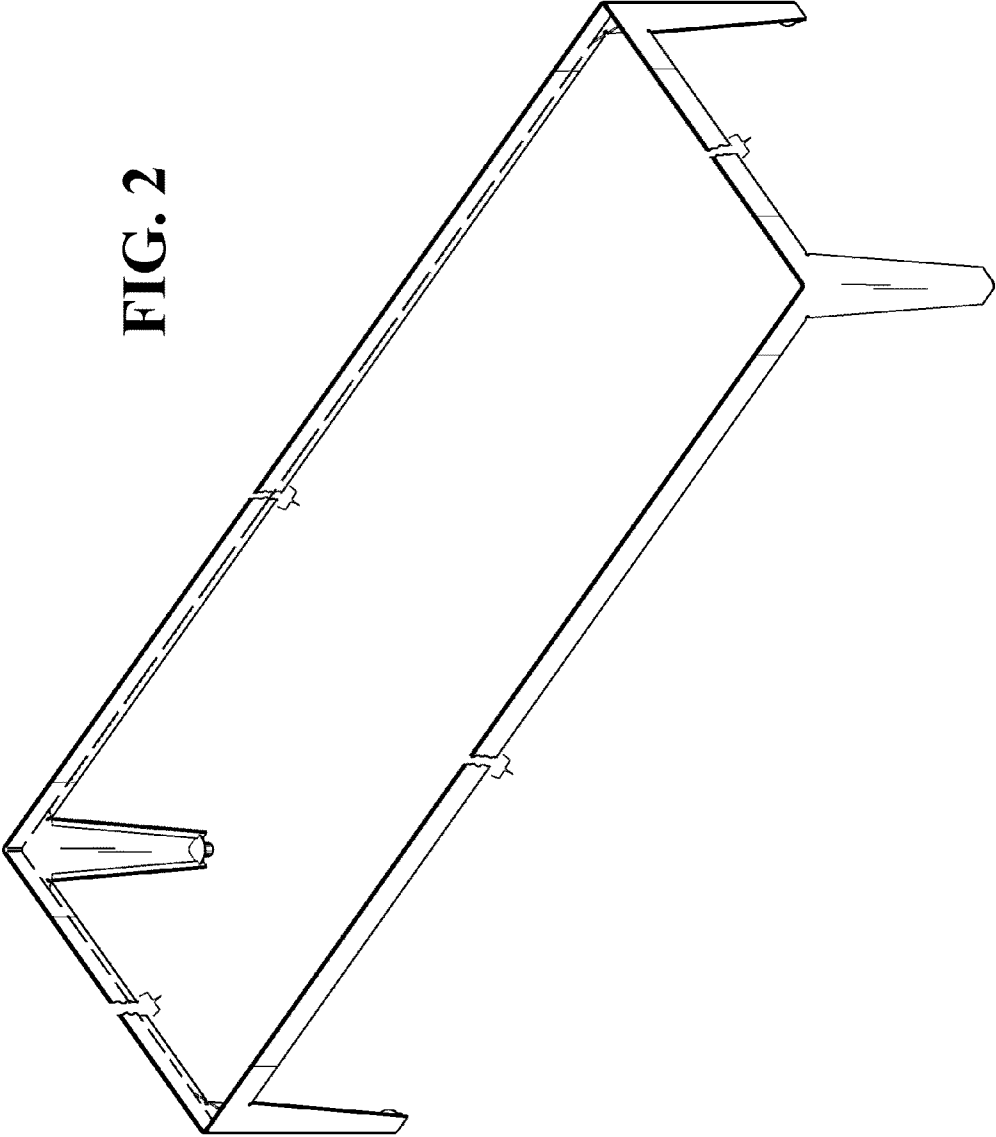


FIG. 1

FIG. 2



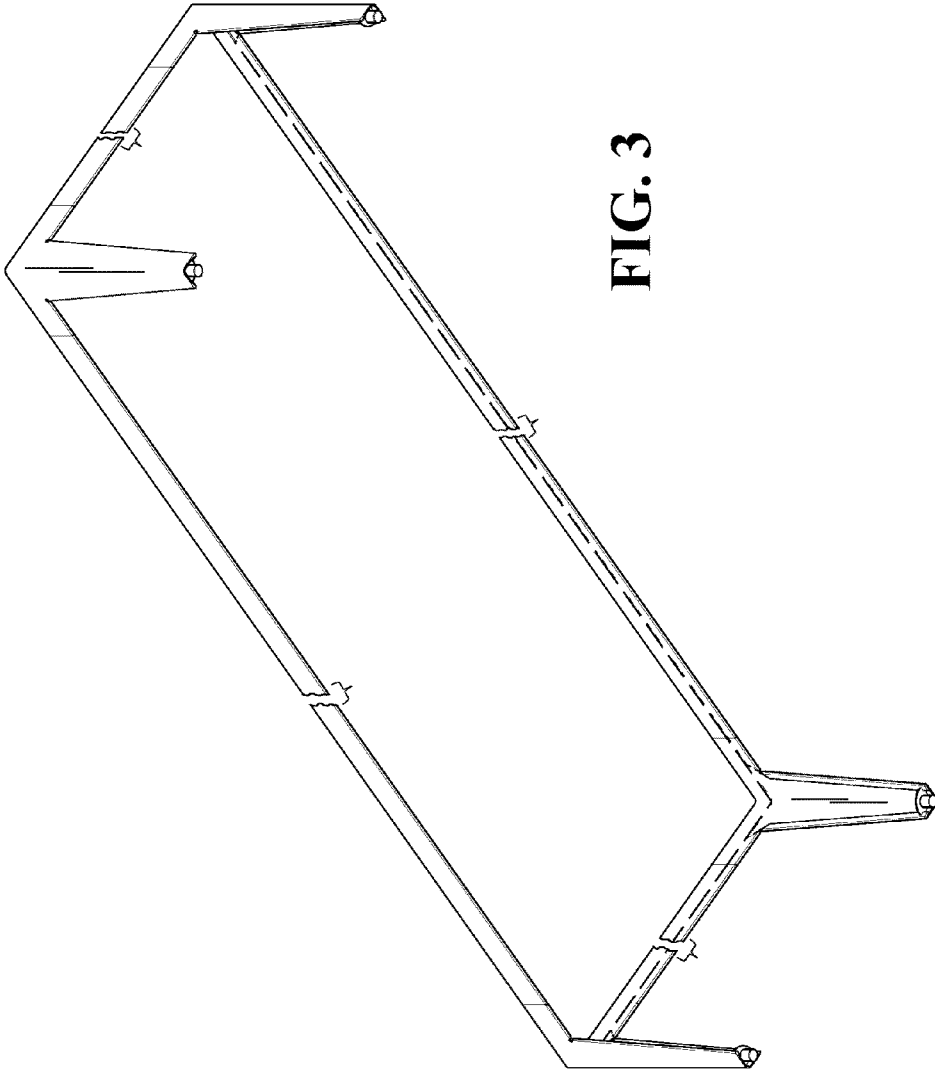
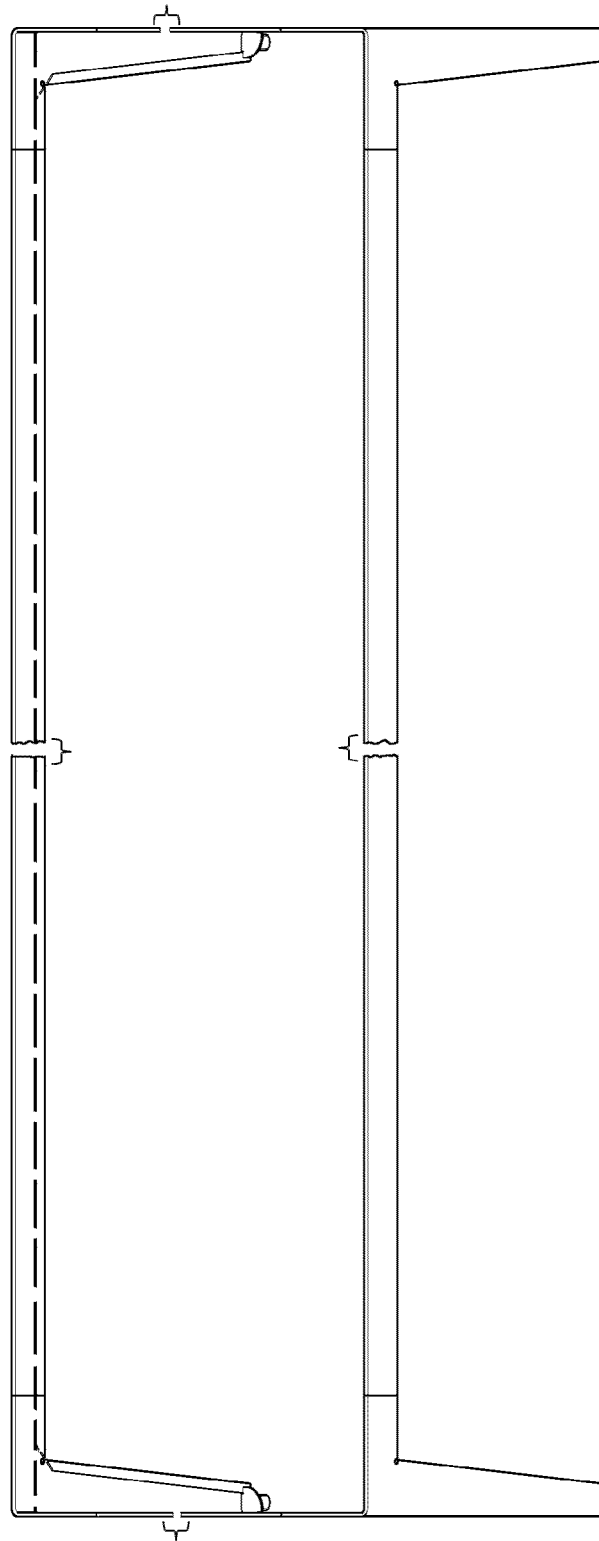


FIG. 3

FIG. 4



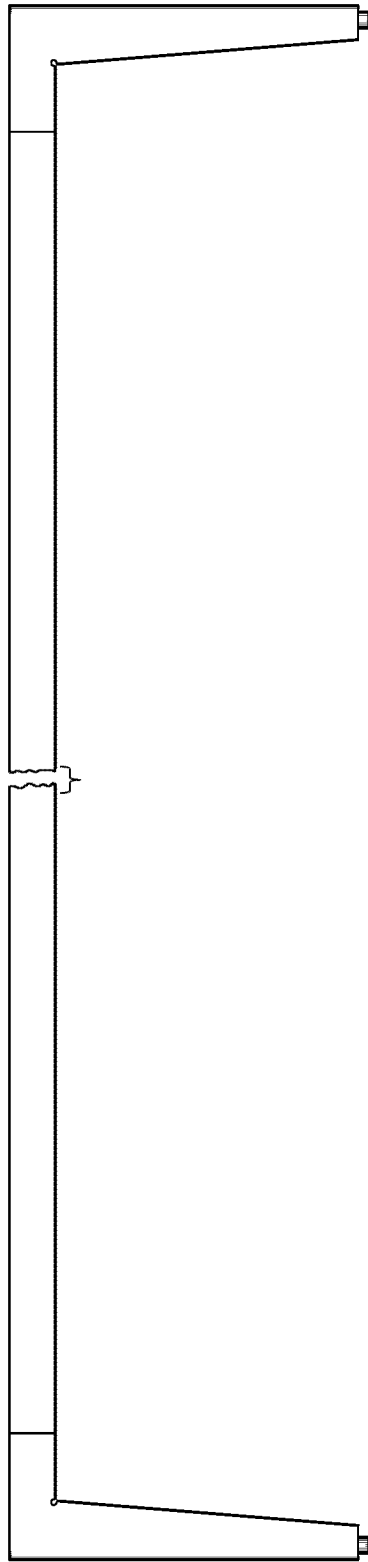


FIG. 5

FIG. 6

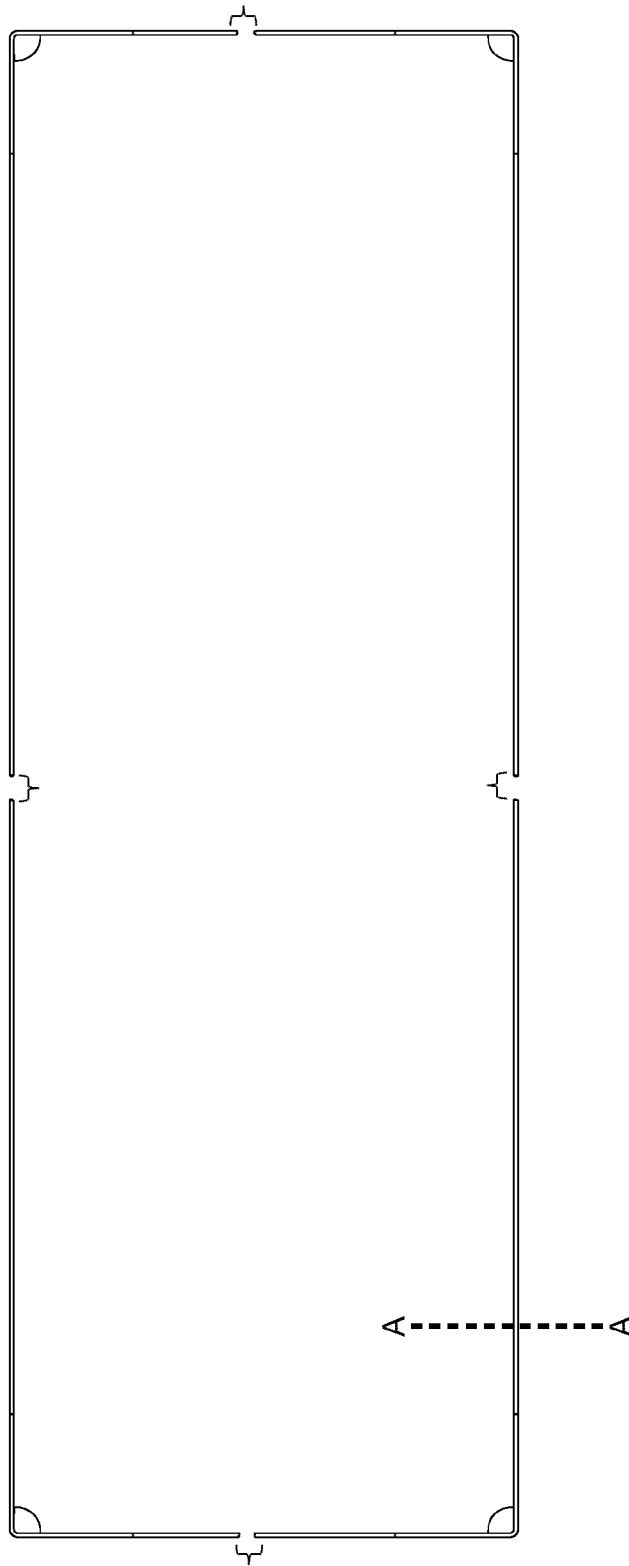
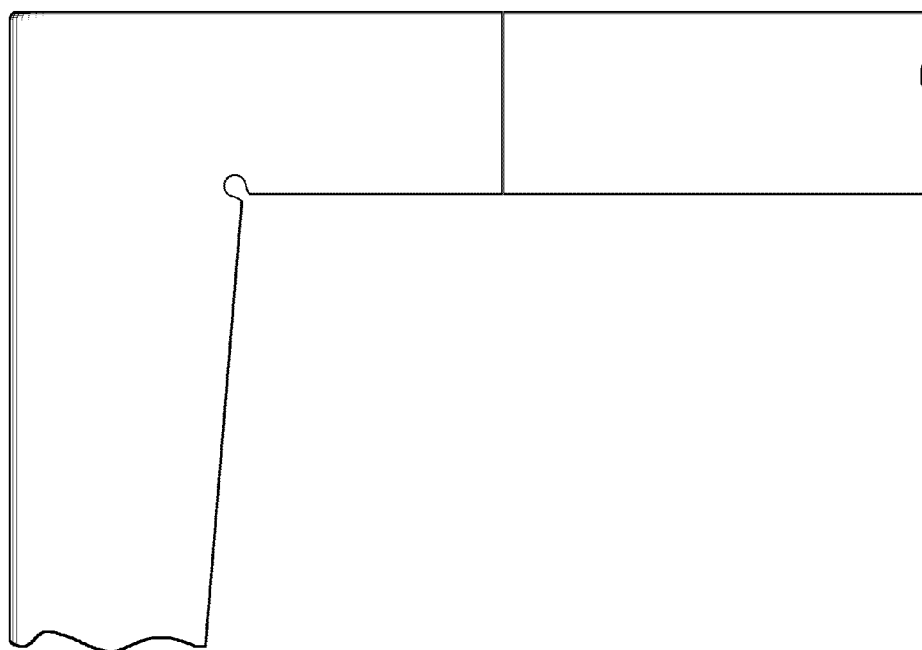


FIG. 7



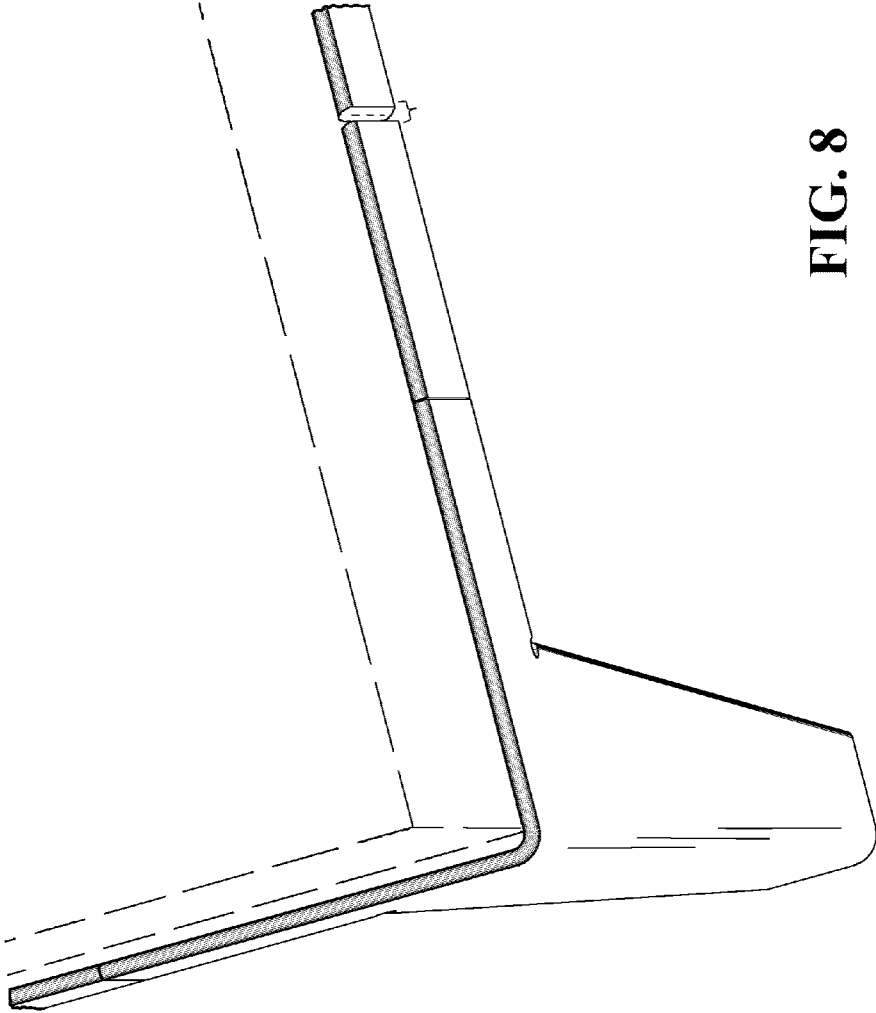


FIG. 8

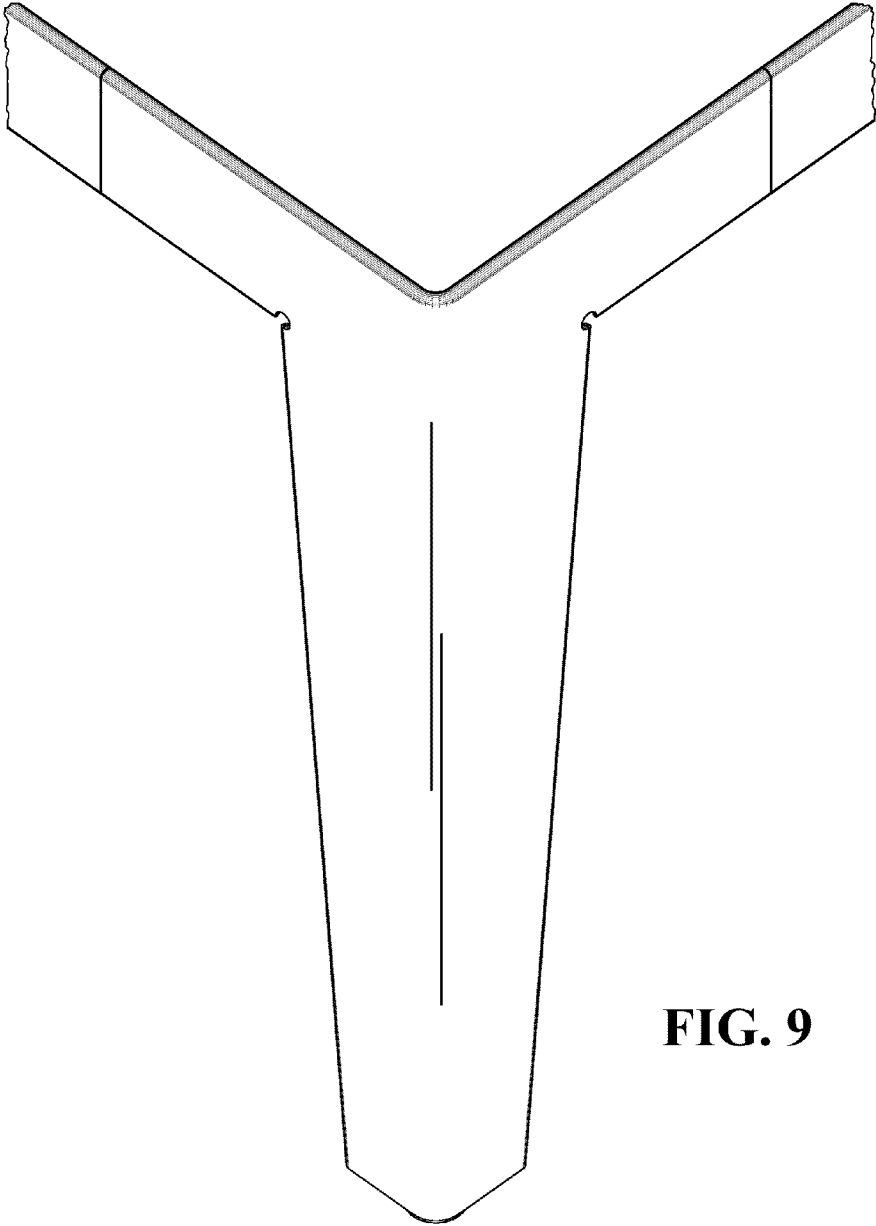


FIG. 9

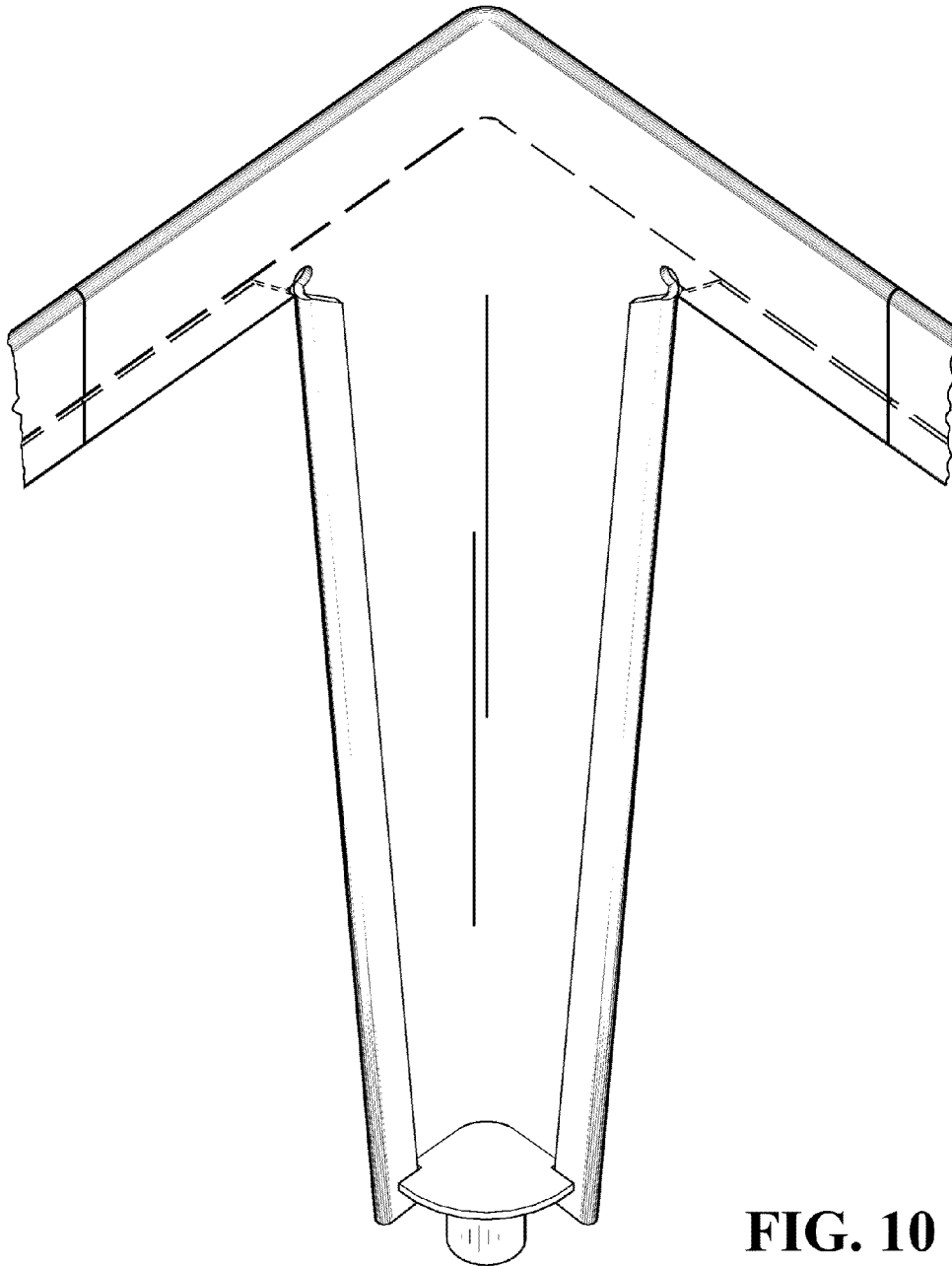


FIG. 10

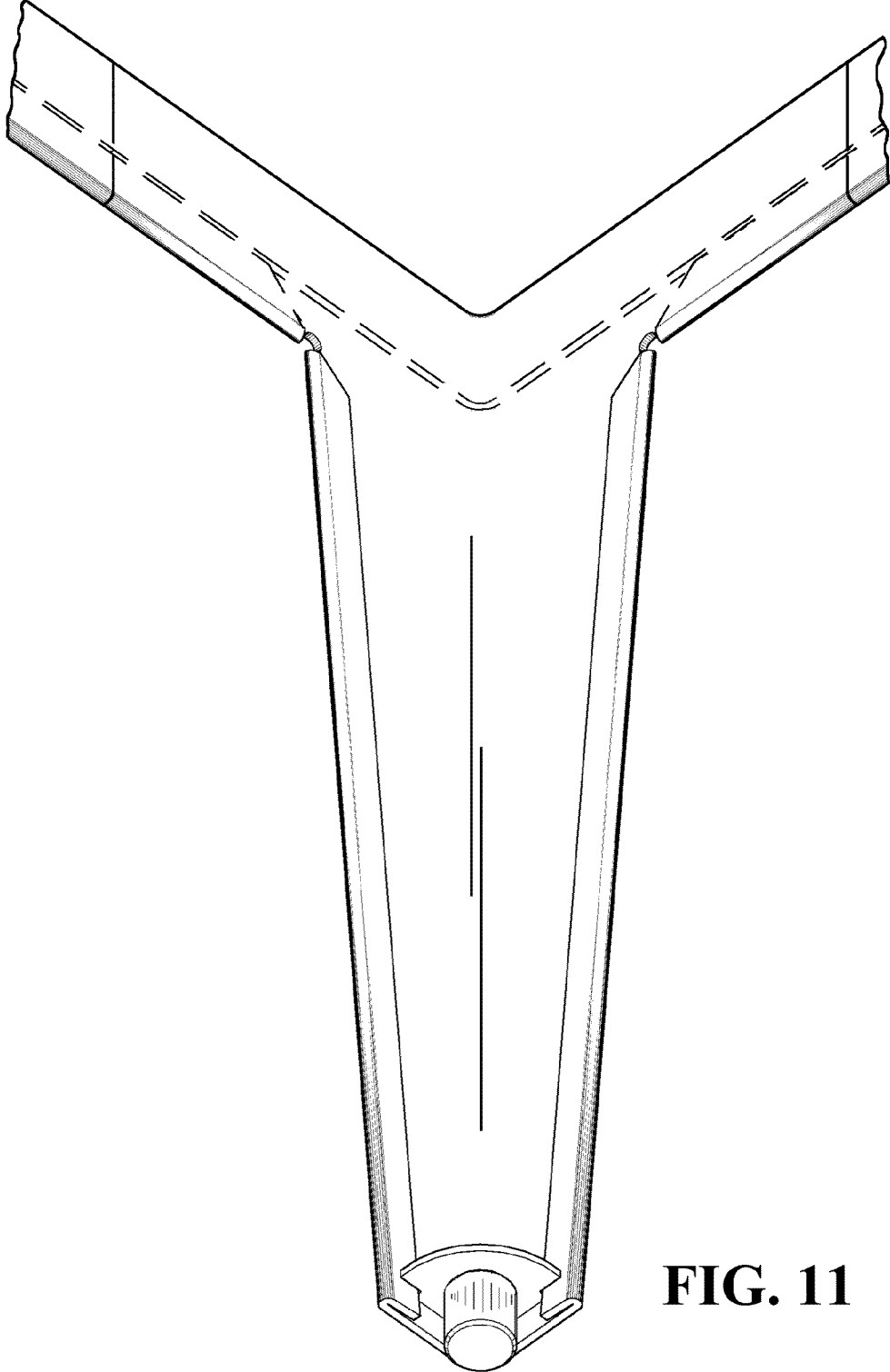


FIG. 11

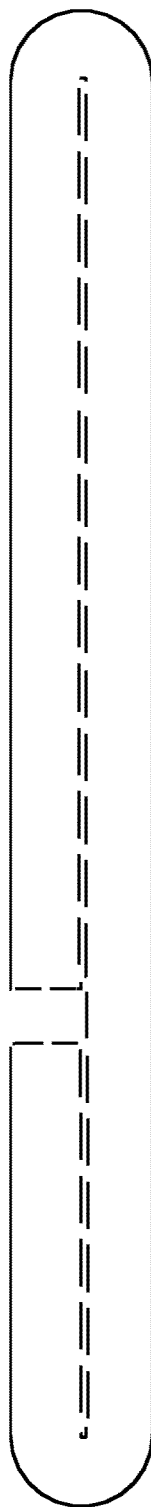


FIG. 12

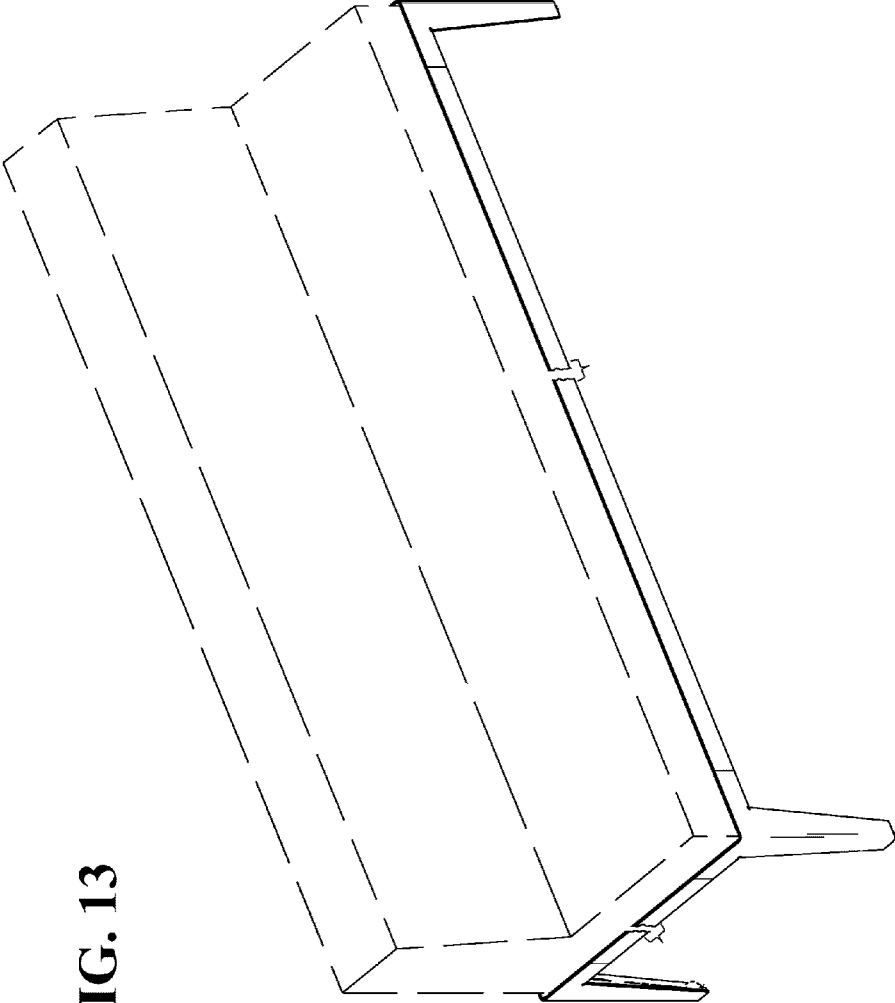
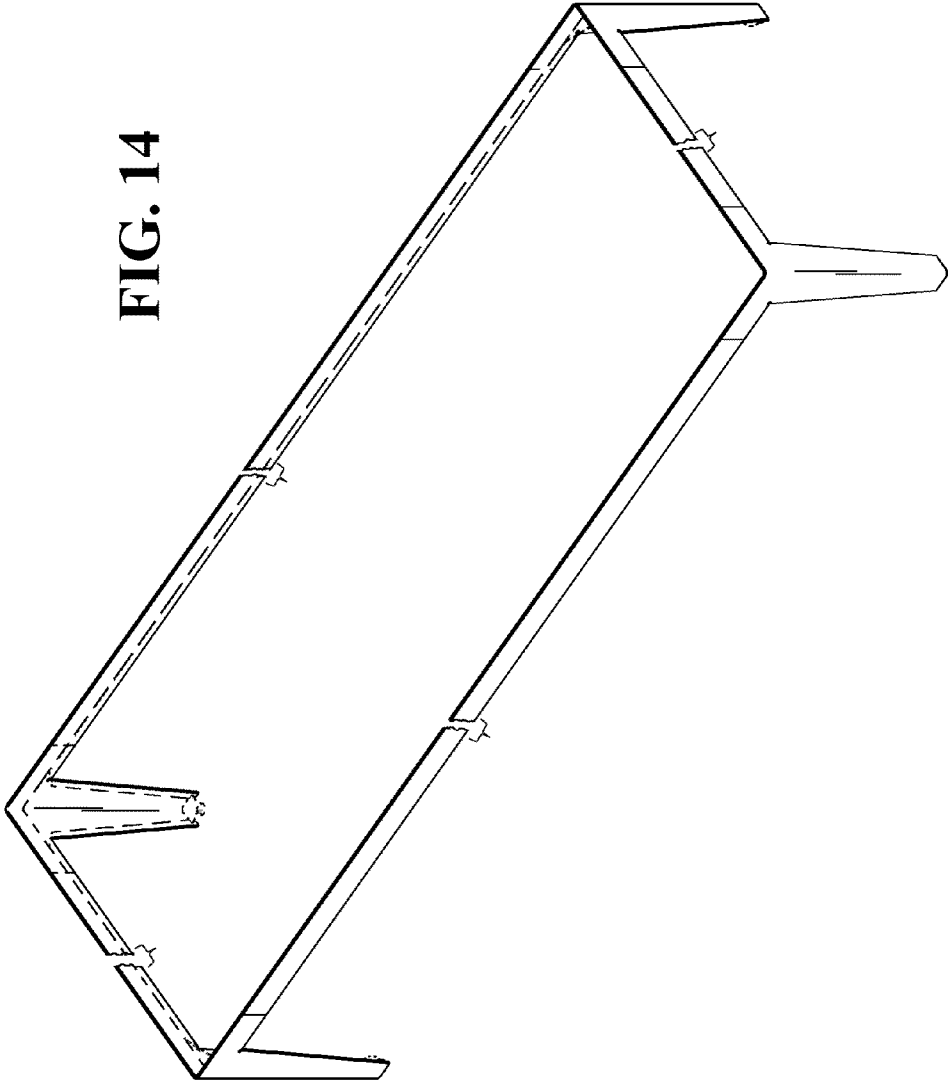


FIG. 13

FIG. 14



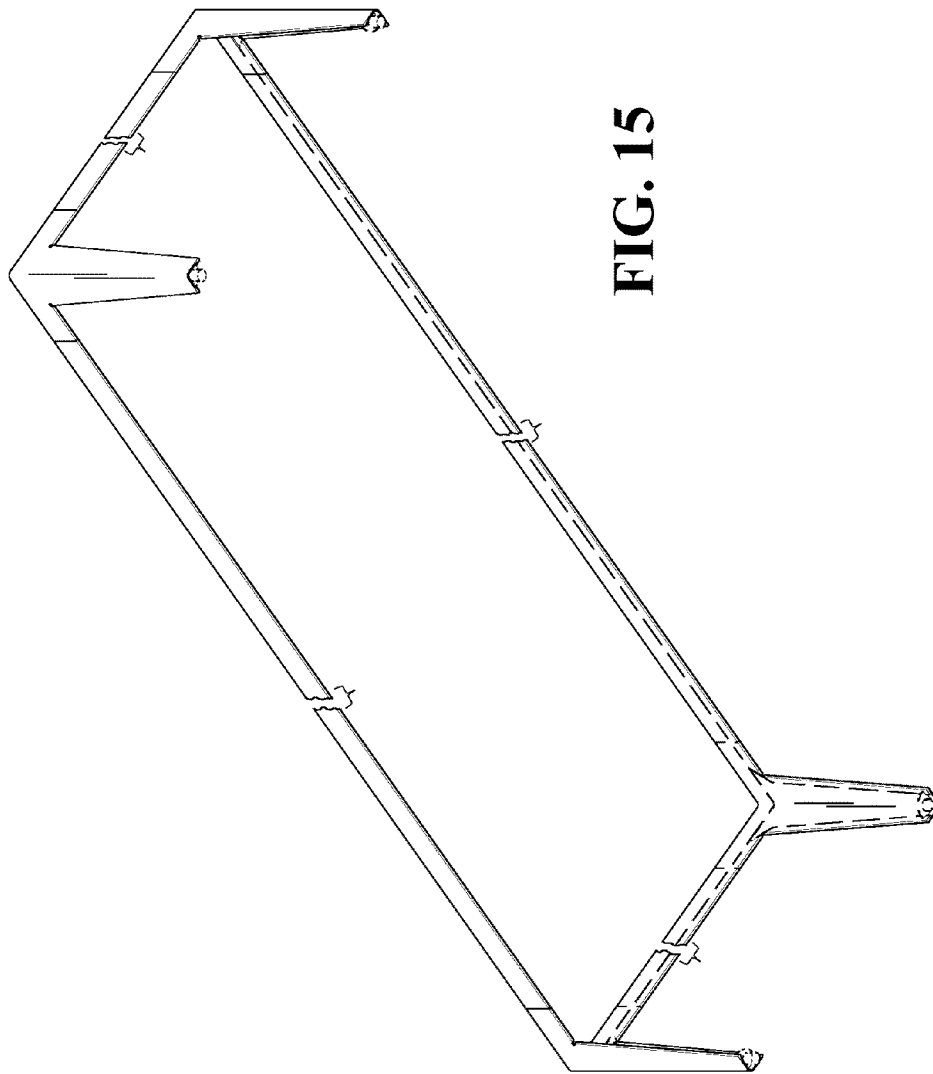
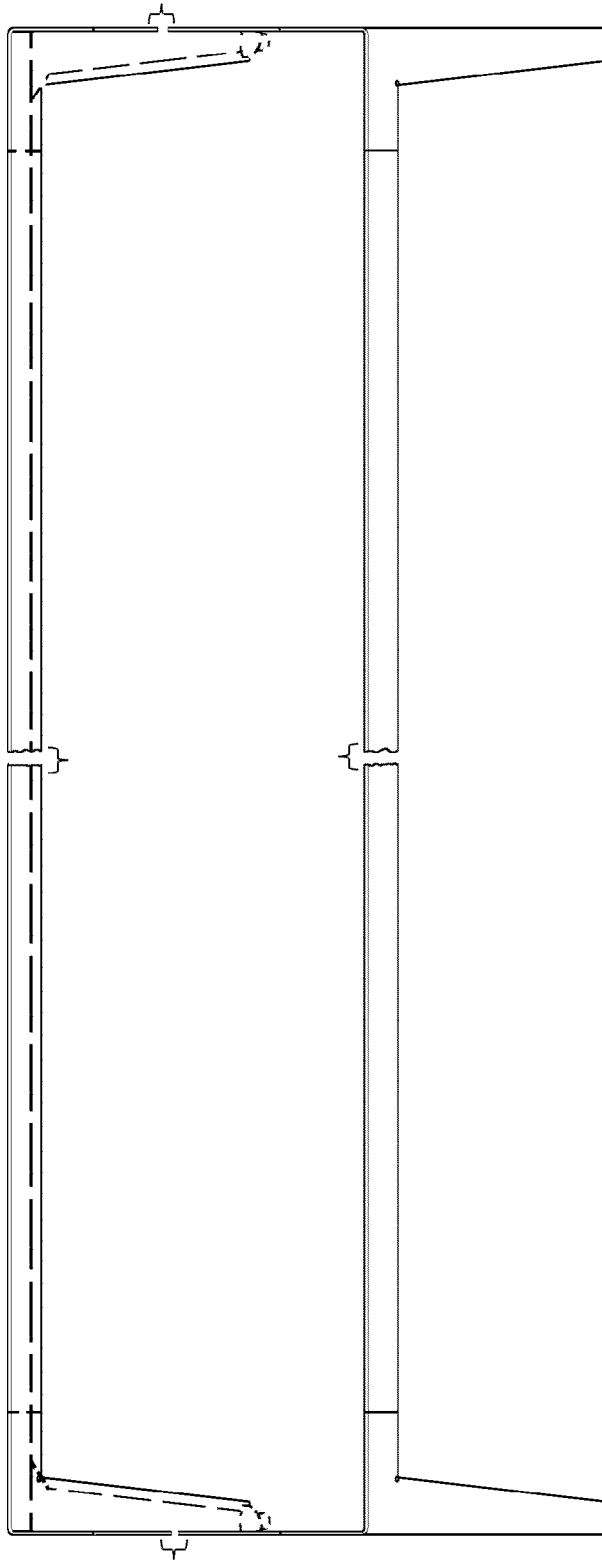


FIG. 15

FIG. 16



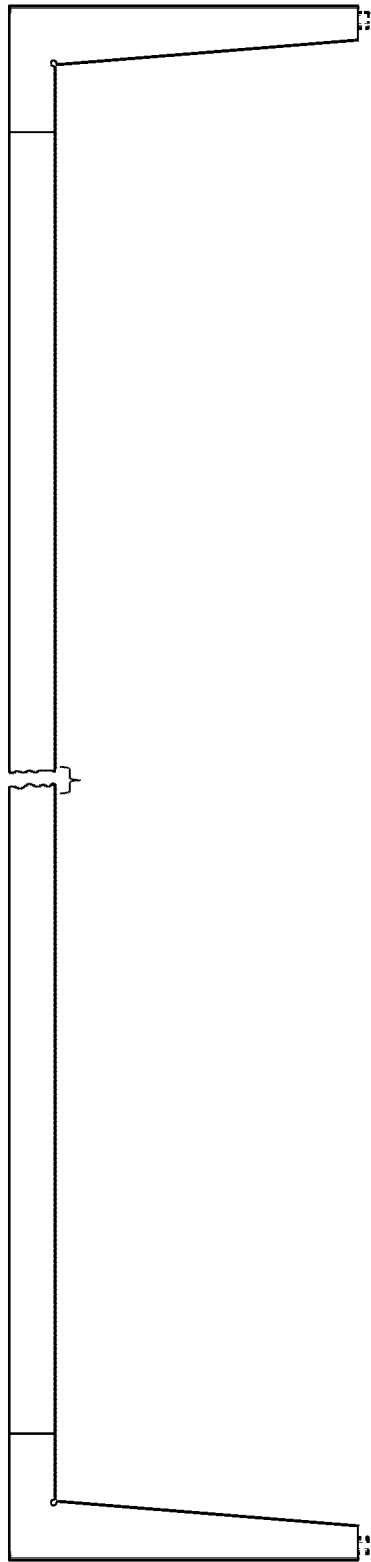


FIG. 17

FIG. 18

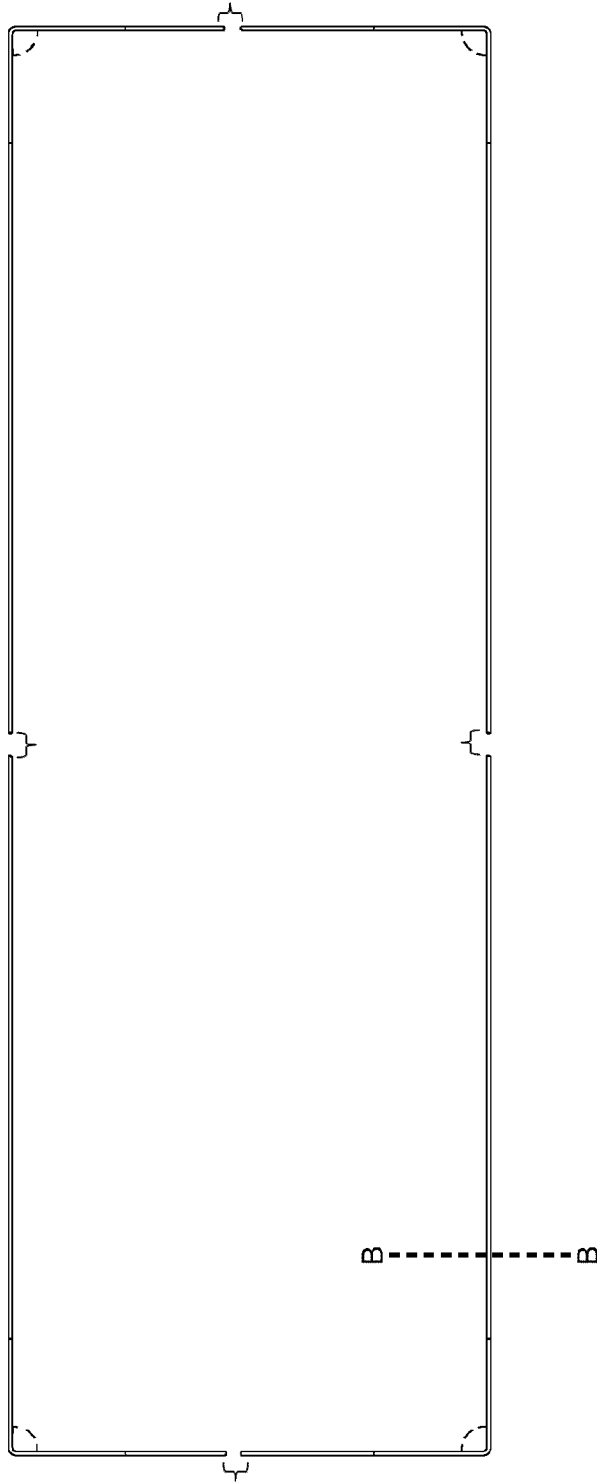
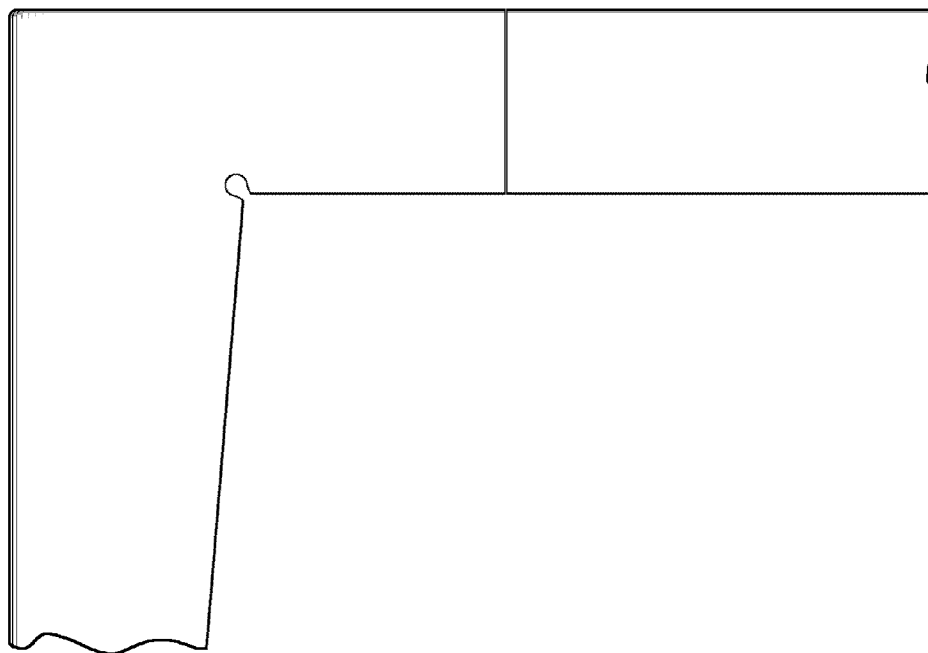


FIG. 19



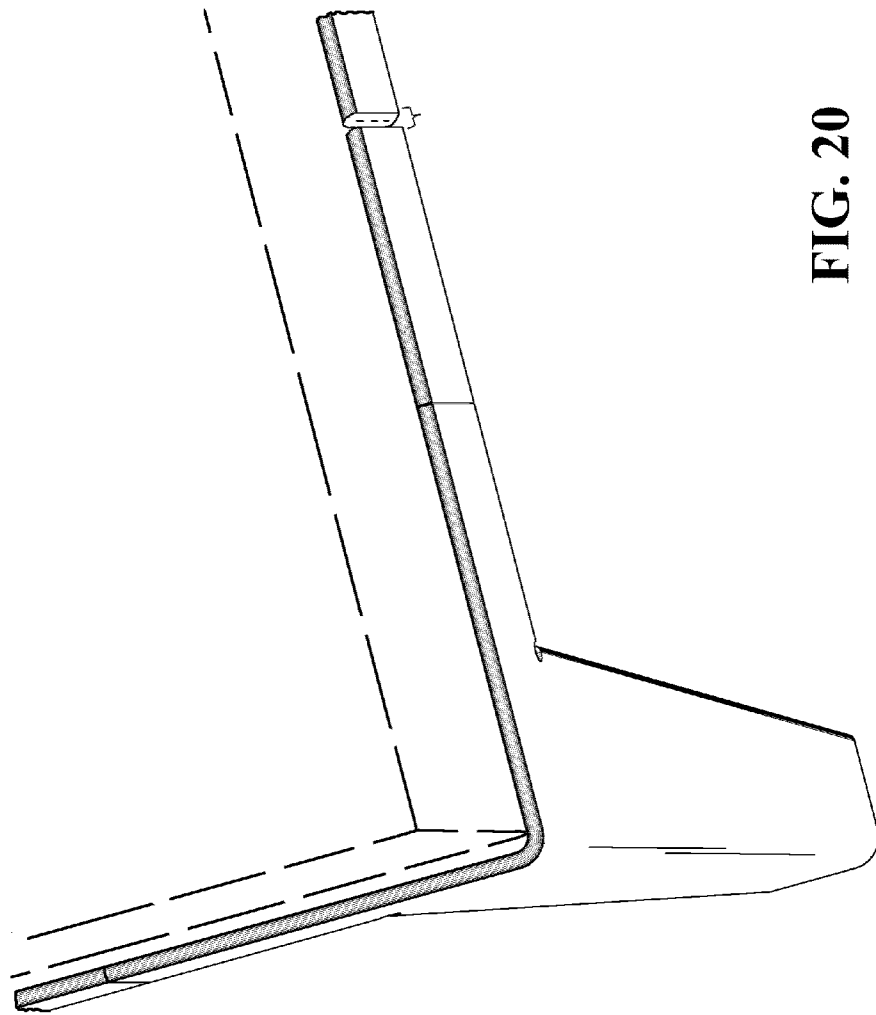


FIG. 20

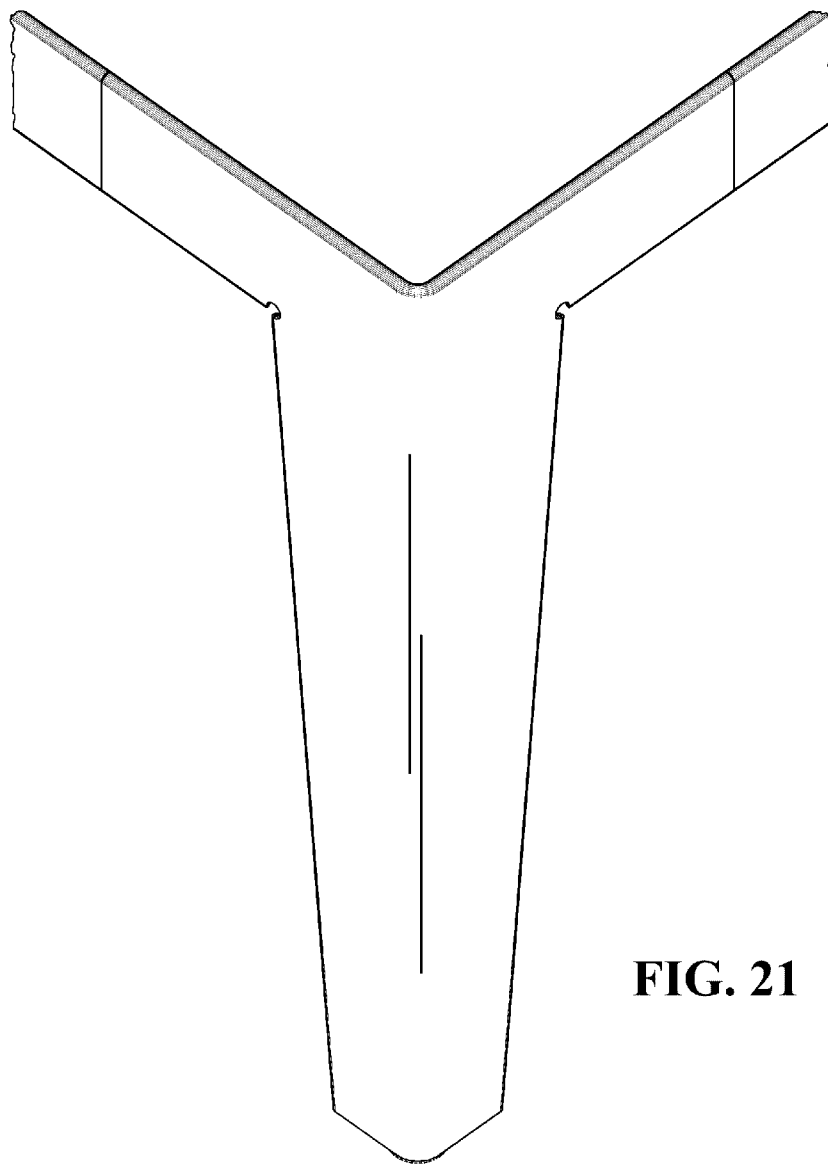


FIG. 21

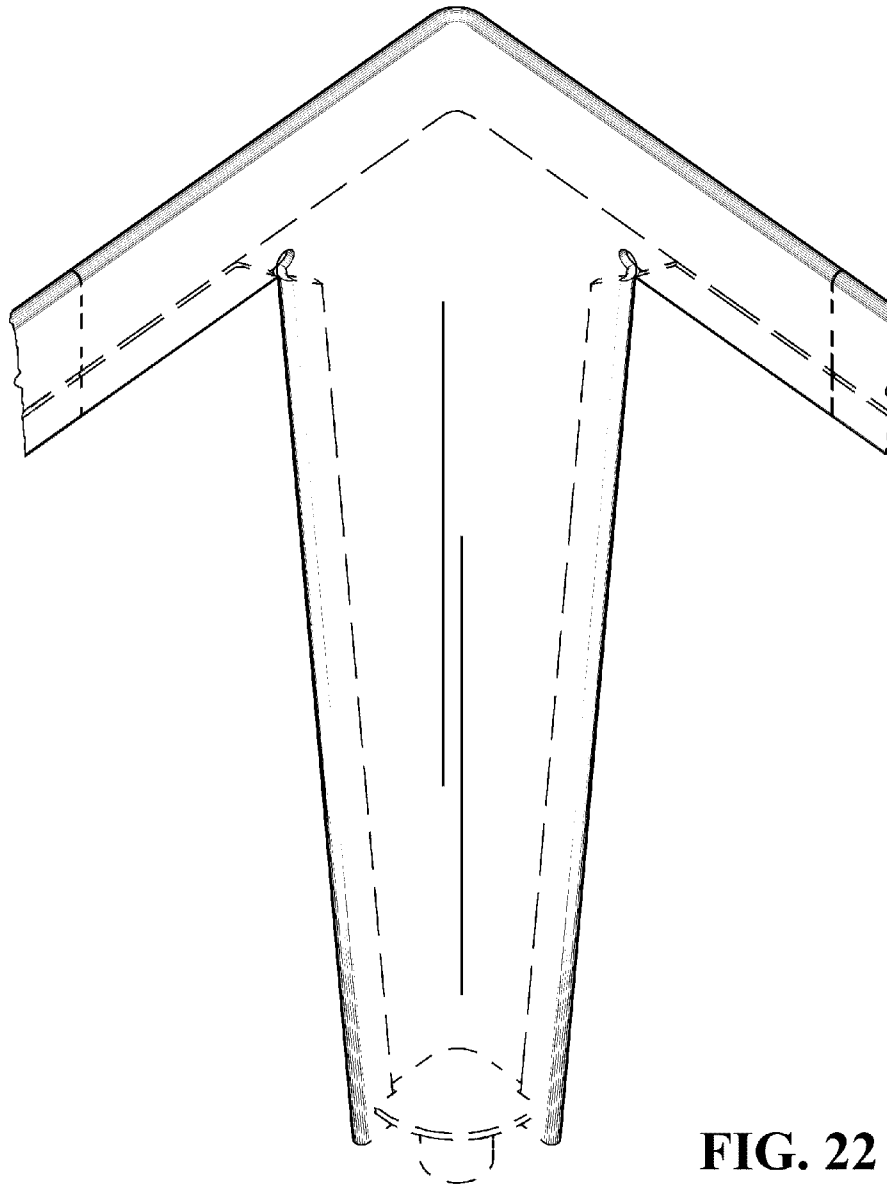


FIG. 22

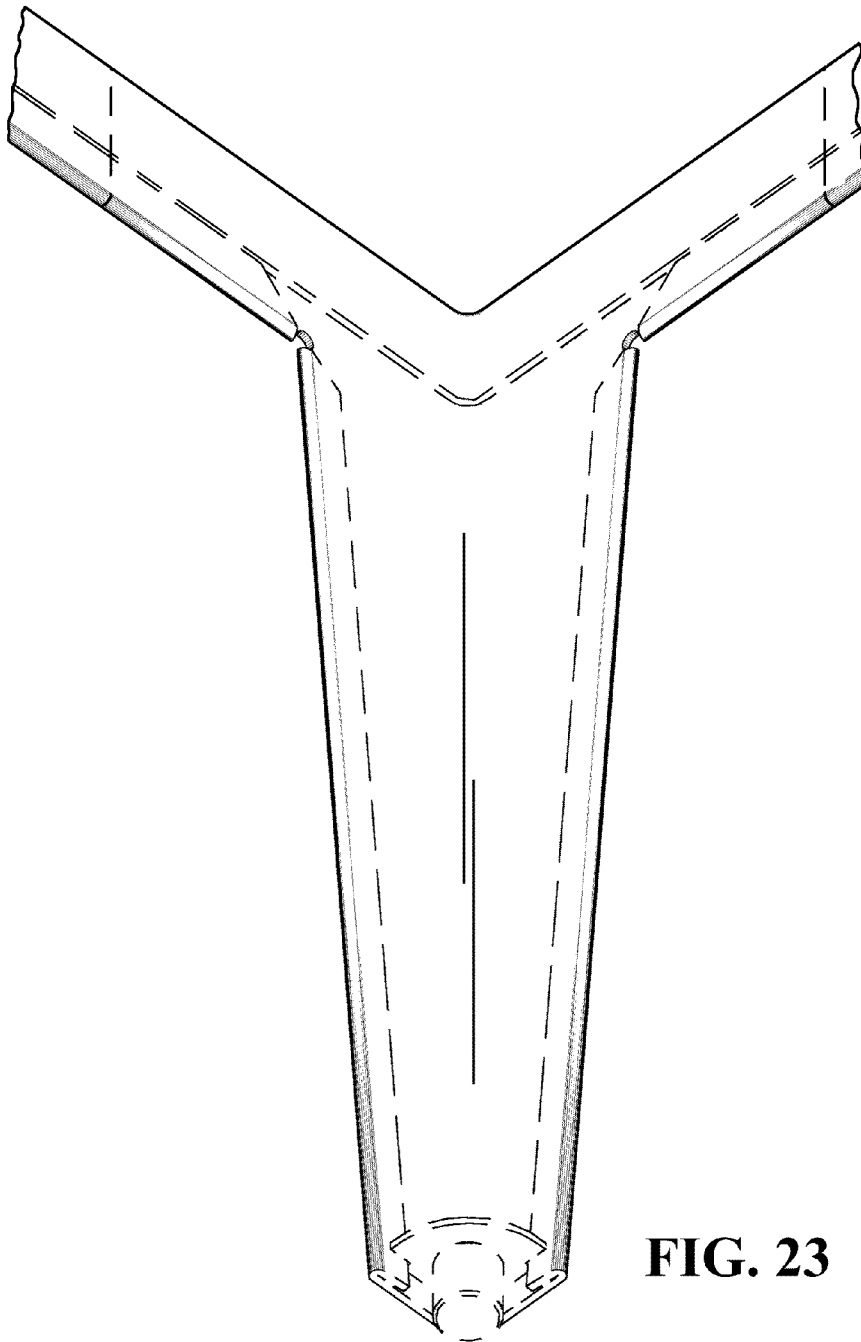


FIG. 23



FIG. 24