



US00D617871S

(12) **United States Design Patent**  
**Wright**

(10) **Patent No.:** **US D617,871 S**

(45) **Date of Patent:** **\*\* Jun. 15, 2010**

(54) **SELF REGULATING FLUID BEARING HIGH PRESSURE ROTARY NOZZLE**

6,059,202 A \* 5/2000 Zink et al. .... 239/259  
7,546,959 B2 \* 6/2009 Wagner et al. .... 239/252

\* cited by examiner

(75) Inventor: **Douglas E. Wright**, Durango, CO (US)

*Primary Examiner*—Robin V Webster

(73) Assignee: **Stoneage, Inc.**, Durango, CO (US)

(74) *Attorney, Agent, or Firm*—Greenberg Traurig, LLP

(\*\*) Term: **14 Years**

(57) **CLAIM**

(21) Appl. No.: **29/356,225**

The ornamental design for a self regulating fluid bearing high pressure rotary nozzle, as shown and described.

(22) Filed: **Feb. 22, 2010**

**DESCRIPTION**

**Related U.S. Application Data**

FIG. 1 is a perspective view of a self regulating fluid bearing high pressure rotary nozzle showing my new design.

(62) Division of application No. 12/577,571, filed on Oct. 12, 2009.

FIG. 2 is a rear perspective view of my new nozzle design.

(51) **LOC (9) Cl.** ..... **23-01**

FIG. 3 is one side elevational view of the nozzle shown in FIGS. 1 and 2, the opposite side elevational view being substantially identical thereto.

(52) **U.S. Cl.** ..... **D23/213**

FIG. 4 is a side elevational view of the nozzle shown in FIGS. 1 and 2 rotated clockwise about its longitudinal axis 90 degrees from the view shown in FIG. 3.

(58) **Field of Classification Search** ..... D23/213, D23/214; 239/251, 259, 225.1  
See application file for complete search history.

FIG. 5 is a top plan view of the front end of the nozzle shown in FIGS. 1 and 2.

(56) **References Cited**

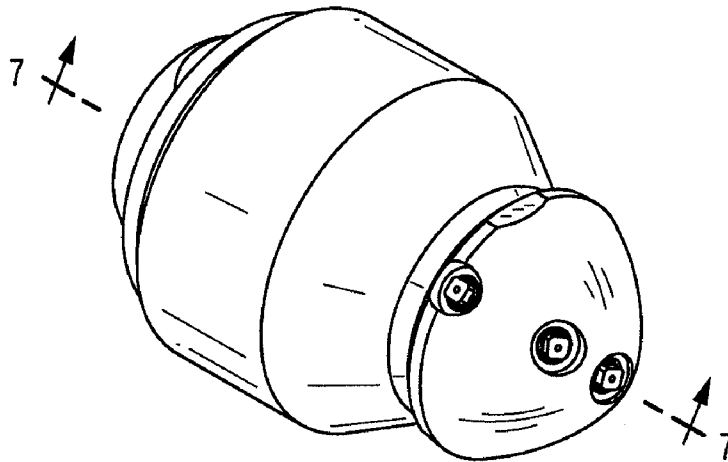
**U.S. PATENT DOCUMENTS**

D285,824 S \* 9/1986 Anderson ..... D23/214  
5,096,122 A \* 3/1992 Abramoska ..... 239/252  
D327,943 S \* 7/1992 Tsai ..... D23/213

FIG. 6 is a bottom plan view of the rear end of the nozzle shown in FIGS. 1 and 2; and,

FIG. 7 is a cross-sectional view taken along line 7—7 of FIG. 1. The broken lines show portions illustrating environmental structure of the nozzle that form no part of the claimed design.

**1 Claim, 4 Drawing Sheets**



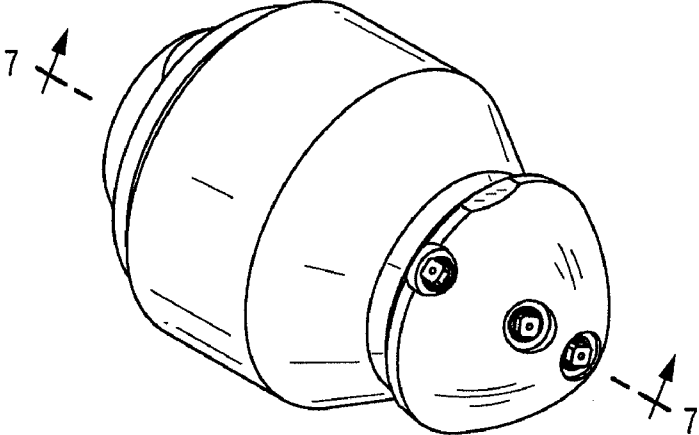


FIG.1

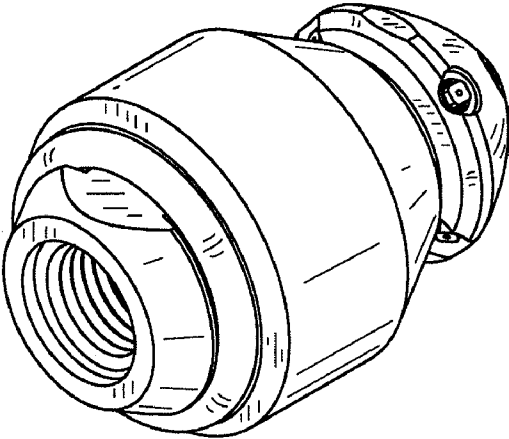


FIG.2

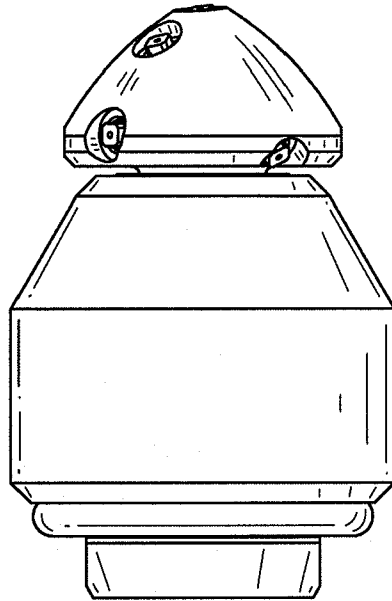


FIG.3

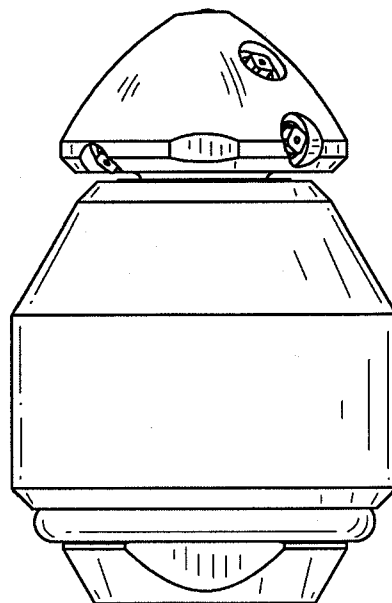


FIG.4

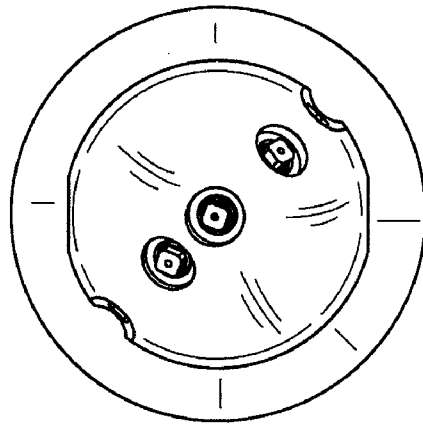


FIG.5

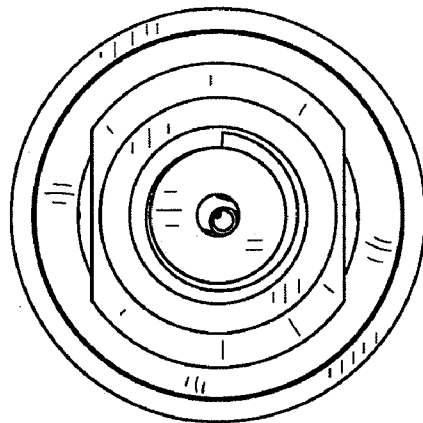


FIG.6

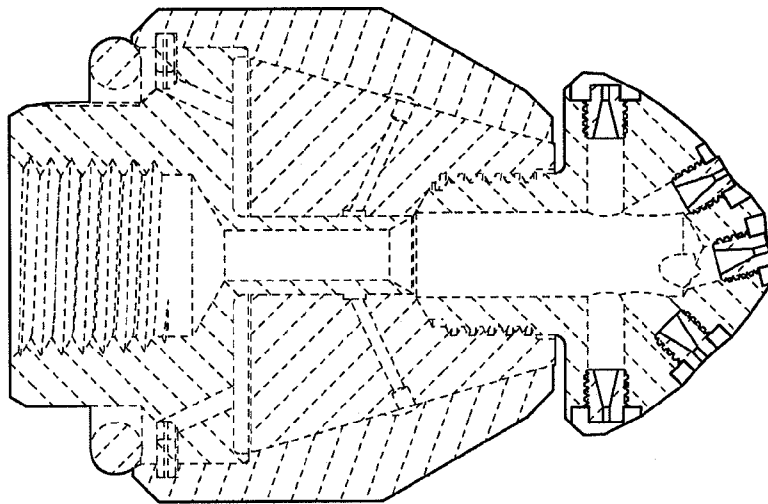


FIG. 7