



US00D891720S

(12) **United States Design Patent**
Ruggiero et al.

(10) **Patent No.:** **US D891,720 S**

(45) **Date of Patent:** **** Jul. 28, 2020**

(54) **CART CHASSIS**

(71) Applicant: **Innovative Strollers LLC**, Clayton, NJ (US)

(72) Inventors: **Richard Ruggiero**, Sewell, NJ (US);
Gregory Ruggiero, Sewell, NJ (US);
Matthew Marino, Blackwood, NJ (US)

(73) Assignee: **INNOVATIVE STROLLERS LLC**, Clayton, NJ (US)

(**) Term: **15 Years**

(21) Appl. No.: **29/677,096**

(22) Filed: **Jan. 17, 2019**

(51) **LOC (12) Cl.** **12-02**

(52) **U.S. Cl.**

USPC **D34/12; D34/23**

(58) **Field of Classification Search**

USPC D34/12, 14, 20, 23, 28, 29, 30, 34, 37,
D34/38, 39

CPC B62B 1/00; B62B 1/008; B62B 1/12

See application file for complete search history.

(56) **References Cited**

U.S. PATENT DOCUMENTS

3,102,648	A *	9/1963	Hughes	B62B 3/0625 414/449
3,978,659	A	9/1976	Smith et al.		
3,978,959	A	9/1976	Muellner		
4,009,891	A *	3/1977	Jensen	B62B 1/002 280/651
4,381,870	A *	5/1983	Muellner	A47C 13/00 280/33.993
4,450,968	A	5/1984	Muellner		
D289,578	S *	4/1987	Ruffin	D34/17
D302,063	S *	7/1989	Frazier	D34/17
5,149,114	A *	9/1992	Lewandowski	B62B 3/12 280/33.992
D331,135	S	11/1992	Lewandowski et al.		

5,526,916	A	6/1996	Amdahl et al.		
D396,918	S *	8/1998	Golichowski	D34/12
5,921,373	A	7/1999	Amdahl et al.		
6,024,203	A	2/2000	Amdahl et al.		
6,125,985	A	10/2000	Amdahl et al.		

(Continued)

FOREIGN PATENT DOCUMENTS

CN	105701656	A	6/2016
JP	2000264213	A *	9/2000

(Continued)

OTHER PUBLICATIONS

4 wheeled trolley cart: announced 2020 [online], [site visited Mar. 11, 2020]. Available from internet, URL: <https://www.amazon.com/WPCBAA-Universal-Four-Wheel-Retractable-Load-Bearing/dp/B07RB12R5L> (Year: 2020).*

(Continued)

Primary Examiner — George A Bugg

Assistant Examiner — Tamara L Hahn

(74) *Attorney, Agent, or Firm* — Fox Rothschild LLP

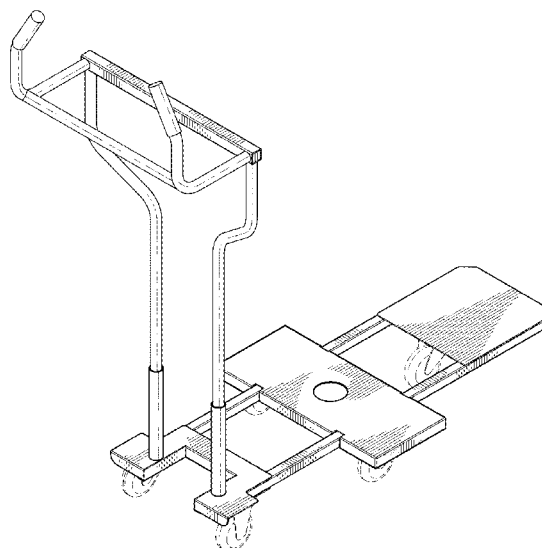
(57) **CLAIM**

The ornamental design for a cart chassis, as shown and described.

DESCRIPTION

FIG. 1 is a perspective view of the cart chassis showing the new design;
FIG. 2 is a left-side view thereof;
FIG. 3 is a right-side view thereof;
FIG. 4 is a front view thereof;
FIG. 5 is a rear view thereof;
FIG. 6 is a top view thereof; and,
FIG. 7 is a bottom view thereof.
The broken lines in the drawings depict portions of the cart chassis that form no part of the claimed design.

1 Claim, 5 Drawing Sheets



(56)

References Cited

U.S. PATENT DOCUMENTS

6,142,283 A 11/2000 Amdahl et al.
 6,250,451 B1 6/2001 Thirkill
 D470,895 S 2/2003 Cole
 D531,375 S * 10/2006 Lauer D34/23
 7,748,511 B1 7/2010 Maher
 D658,721 S 5/2012 Yang
 8,272,491 B2 9/2012 Khairallah et al.
 D709,264 S 7/2014 Lee et al.
 D749,290 S 2/2016 Pollmann
 D756,064 S 5/2016 Budde et al.
 9,418,345 B1 8/2016 Meehan et al.
 9,471,918 B1 10/2016 Krampe et al.
 D782,465 S 3/2017 Chen et al.
 D808,380 S 1/2018 Dillon et al.
 D809,068 S 1/2018 Ballman et al.
 D809,069 S 1/2018 Ballman et al.
 D841,643 S 2/2019 Dillon et al.

D843,366 S 3/2019 Koltsov
 D871,498 S 12/2019 Kim
 2007/0205277 A1 9/2007 Tashiro
 2011/0052357 A1* 3/2011 Torrison B62B 3/008
 414/495
 2015/0356801 A1 12/2015 Nitu et al.

FOREIGN PATENT DOCUMENTS

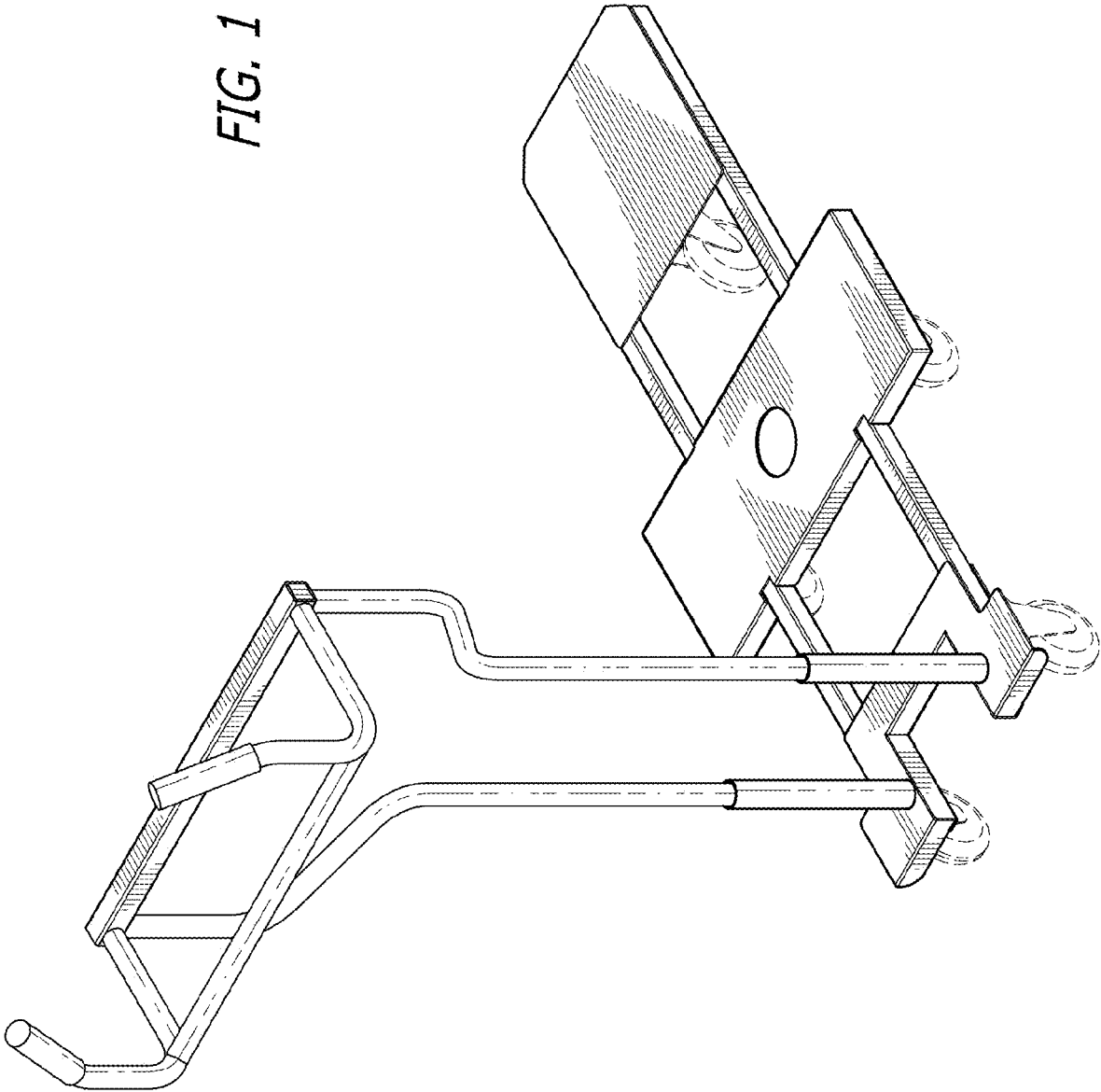
JP 2017049777 3/2017
 JP 2019051840 A * 4/2019

OTHER PUBLICATIONS

Mitchell et al “Wheelchairs: What life care planners should know.”
 Inn: Journal of Life Care Planning. 2005 Retrieved on Feb. 29, 2020
 from <<http://www.figeducation.com/nlcp/resources/section-1/Wheelchairs%20what%20LCP%20Should%20know.pdf>>.

* cited by examiner

FIG. 1



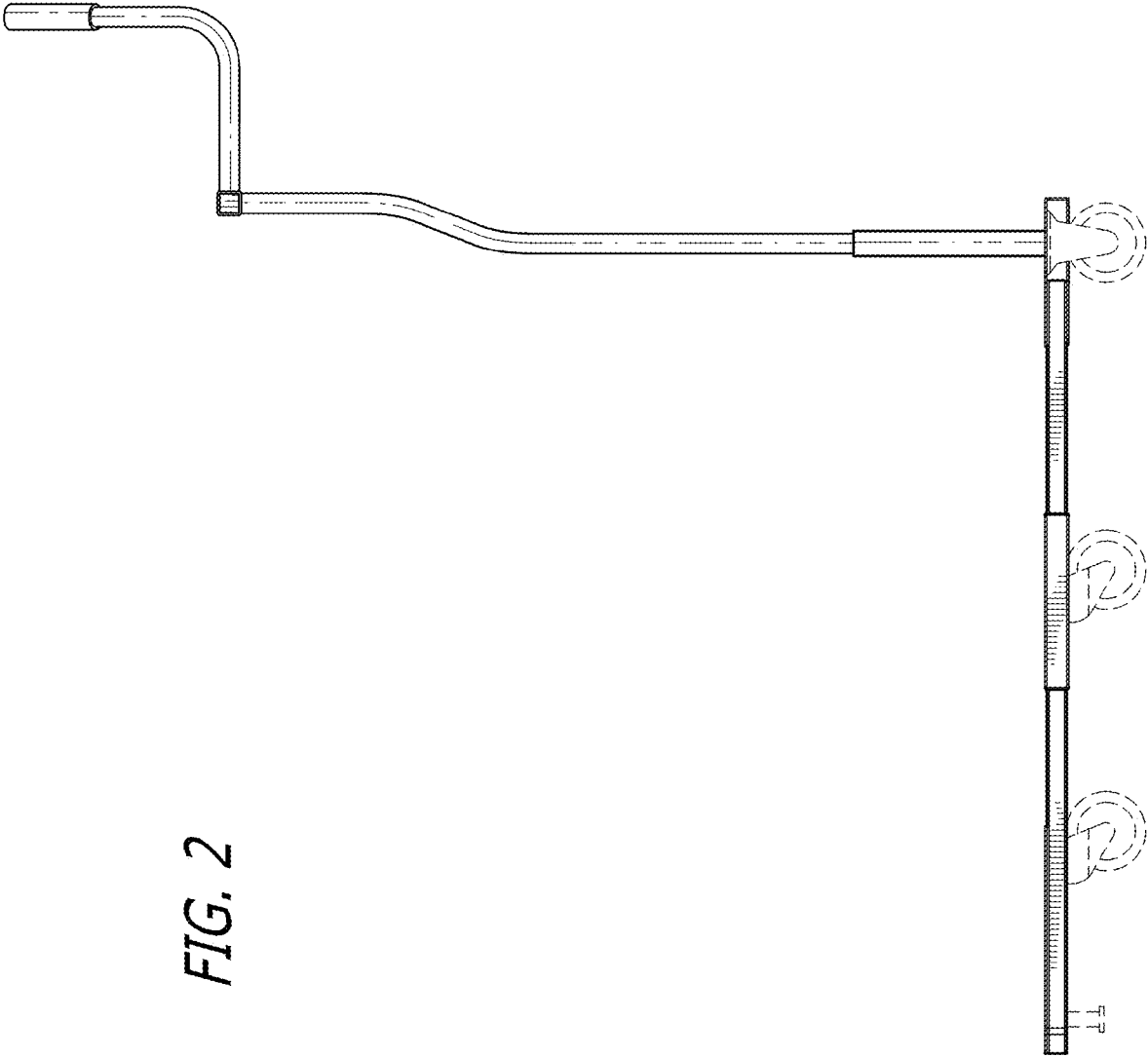
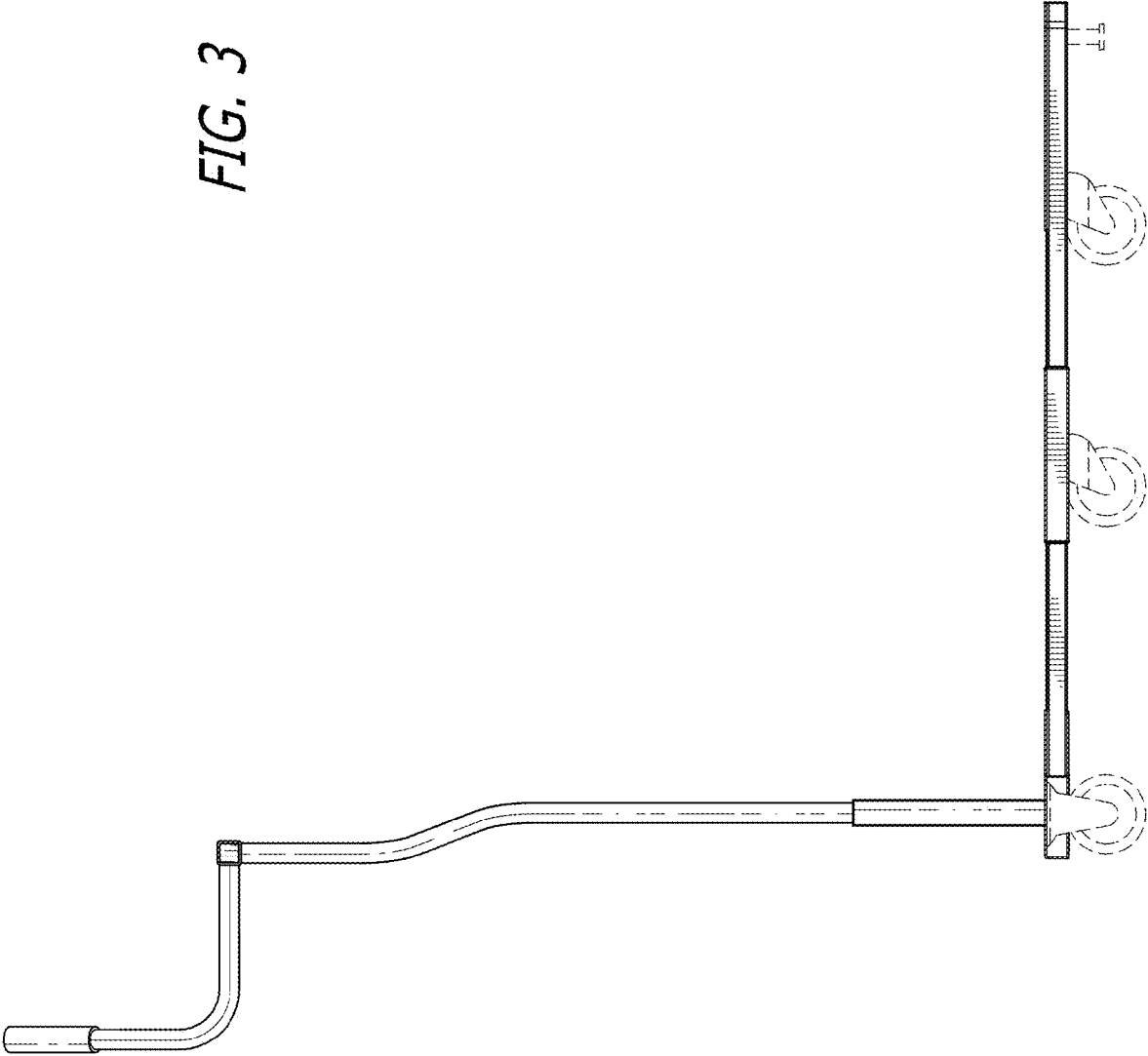


FIG. 2

FIG. 3



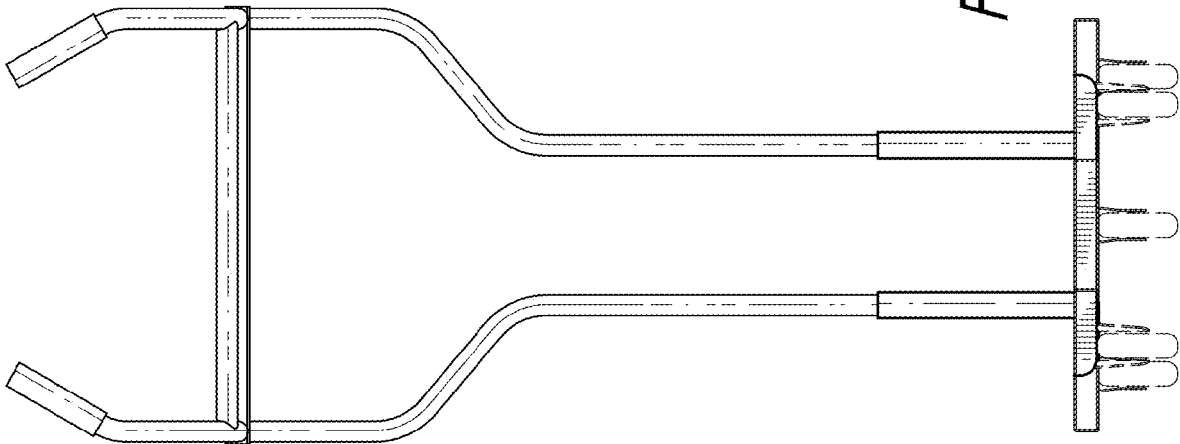


FIG. 5

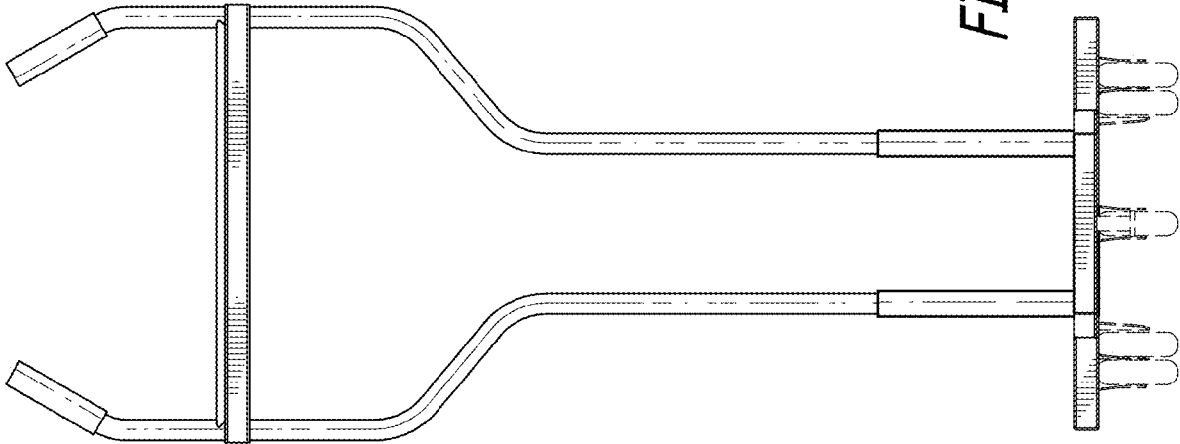


FIG. 4

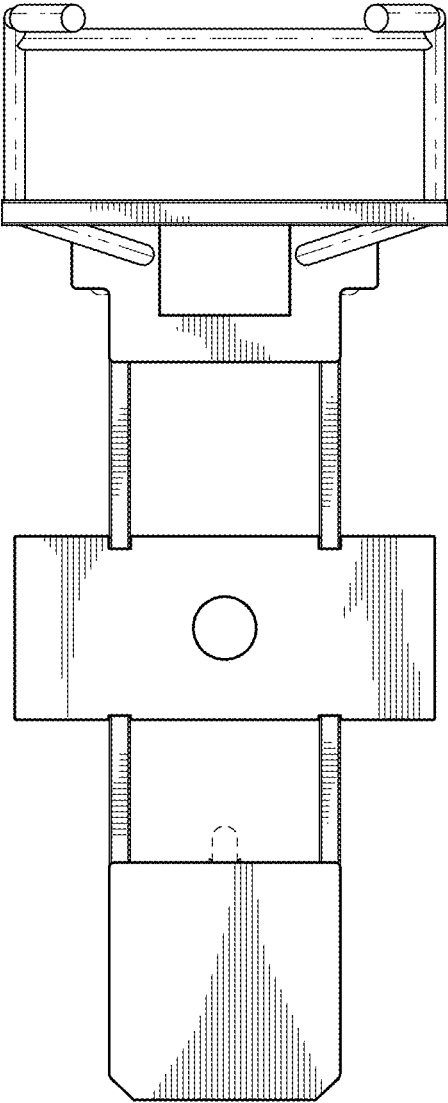


FIG. 6

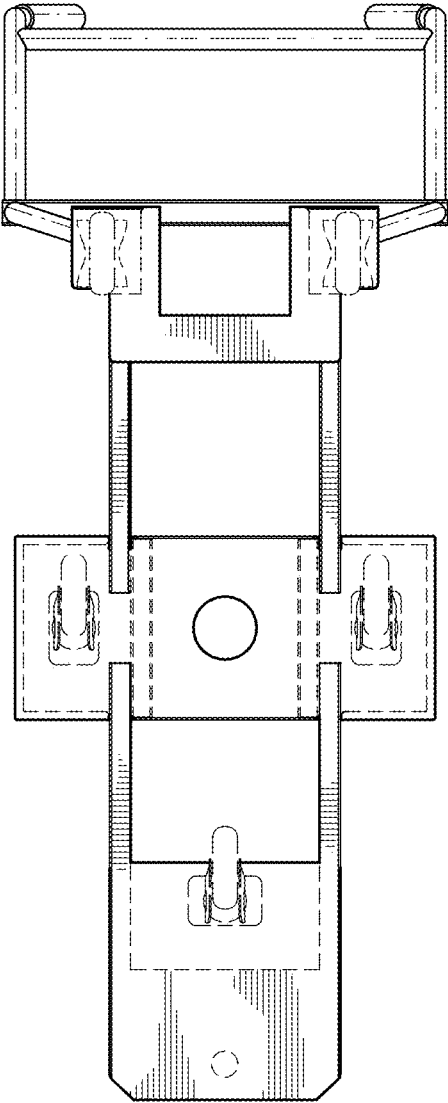


FIG. 7