



US00D806773S

(12) **United States Design Patent**
Wieser et al.

(10) **Patent No.:** **US D806,773 S**
(45) **Date of Patent:** **** Jan. 2, 2018**

- (54) **CAMERA**
- (71) Applicant: **Robert Bosch GmbH**, Stuttgart (DE)
- (72) Inventors: **Matthias Wieser**, Wendlingen (DE);
Andreas Dimitriadis, Lorch (DE)
- (73) Assignee: **Robert Bosch GmbH**, Stuttgart (DE)
- (**) Term: **15 Years**
- (21) Appl. No.: **29/536,730**
- (22) Filed: **Aug. 19, 2015**
- (30) **Foreign Application Priority Data**

Feb. 20, 2015 (EM) 002638122

- (51) **LOC (11) Cl.** **16-01**
- (52) **U.S. Cl.**
USPC **D16/203**

- (58) **Field of Classification Search**
USPC D16/200, 202–205, 208, 214, 218, 219,
D16/242; 348/14.01–14.06, 143, 148,
348/151, 373–376; 396/419, 427, 535,
396/539–541
CPC G03B 17/02; G03B 19/04; G03B 17/56;
G03B 17/04; G03B 15/03; H04N 5/2251;
H04N 5/2252; H04N 5/2253; H04N
5/2254; H04N 2007/145; H04N 7/141;
H04N 7/142; H04N 7/147; H04N 7/148;
H04N 7/15; H04N 7/152
See application file for complete search history.

(56) **References Cited**

U.S. PATENT DOCUMENTS

- D496,381 S * 9/2004 McDonald D16/203
- D534,938 S * 1/2007 Beasley D14/130
- D589,996 S * 4/2009 Kellar D16/203
- D701,893 S * 4/2014 Bart D16/203

- D709,118 S * 7/2014 Yu D16/203
- D727,388 S * 4/2015 Huang D16/214
- D728,655 S * 5/2015 Daniel D16/203
- D732,594 S * 6/2015 Kawa D16/202
- D743,467 S * 11/2015 Bhattacharya D16/203
- D746,350 S * 12/2015 Li D16/203
- D747,383 S * 1/2016 Li D16/203
- D764,958 S * 8/2016 Scalisi D10/118.2
- 2009/0201413 A1 * 8/2009 Fishman H04N 5/2252
348/373

* cited by examiner

Primary Examiner — Philip S Hyder
Assistant Examiner — Ramzi Almatrahi
(74) *Attorney, Agent, or Firm* — Maginot, Moore & Beck
LLP

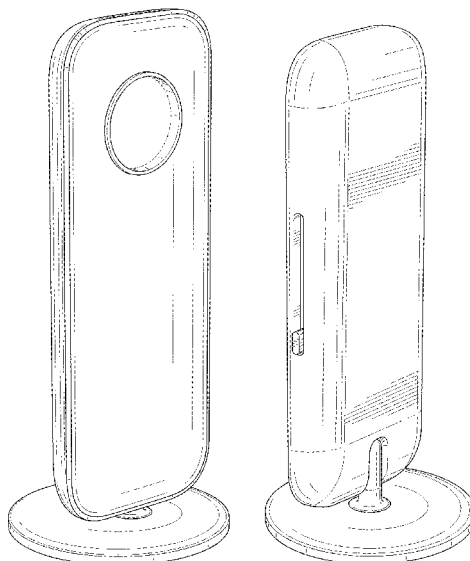
(57) **CLAIM**

The ornamental design for a camera, as shown and described.

DESCRIPTION

FIG. 1 is a front perspective view of a camera showing our new design;
FIG. 2 is a rear perspective view showing the design for the camera of FIG. 1;
FIG. 3 is a front elevational view showing the design for the camera of FIG. 1;
FIG. 4 is a rear elevational view showing the design for the camera of FIG. 1;
FIG. 5 is a left side elevational view showing the design for the camera of FIG. 1;
FIG. 6 is a right side elevational view showing the design for the camera of FIG. 1; and,
FIG. 7 is a top plan view showing the design for the camera of FIG. 1.
The broken lines shown in the drawings illustrate portions of the camera that form no part of the claimed design.

1 Claim, 7 Drawing Sheets



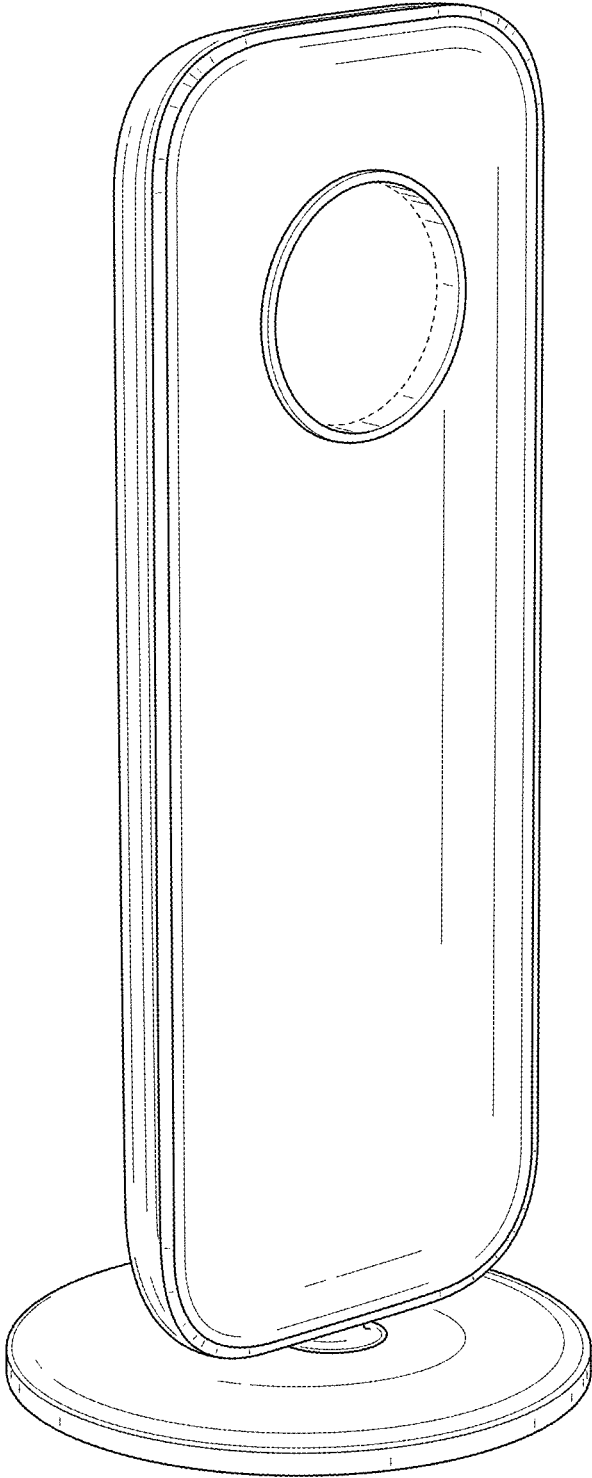


FIG. 1

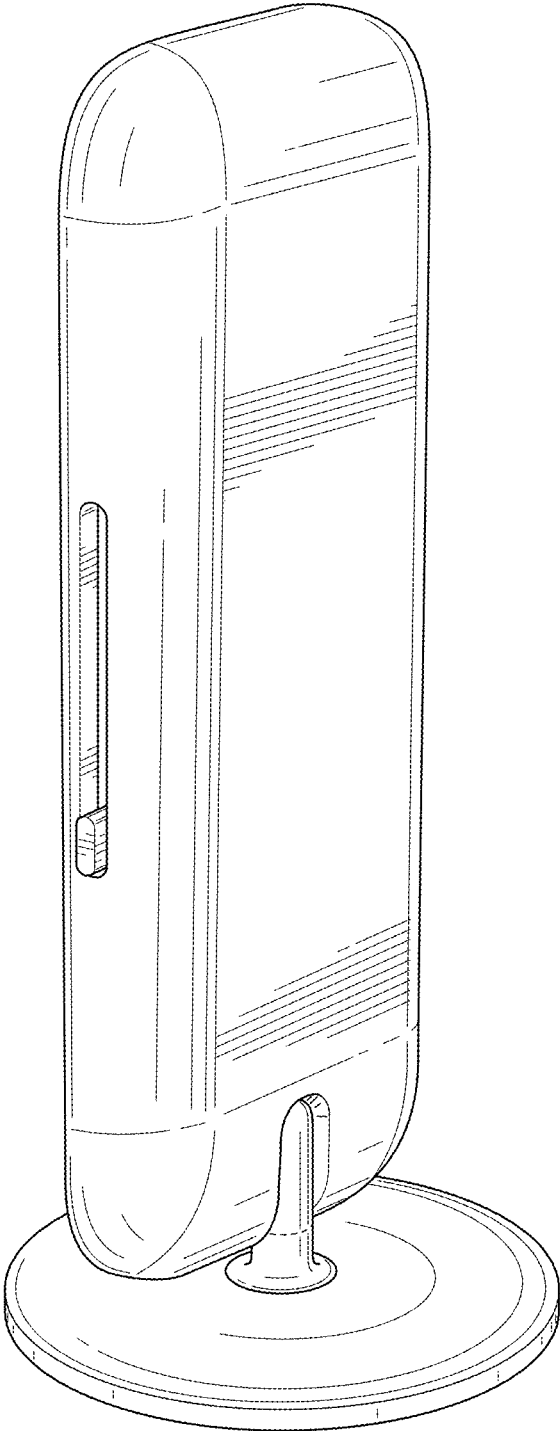


FIG. 2

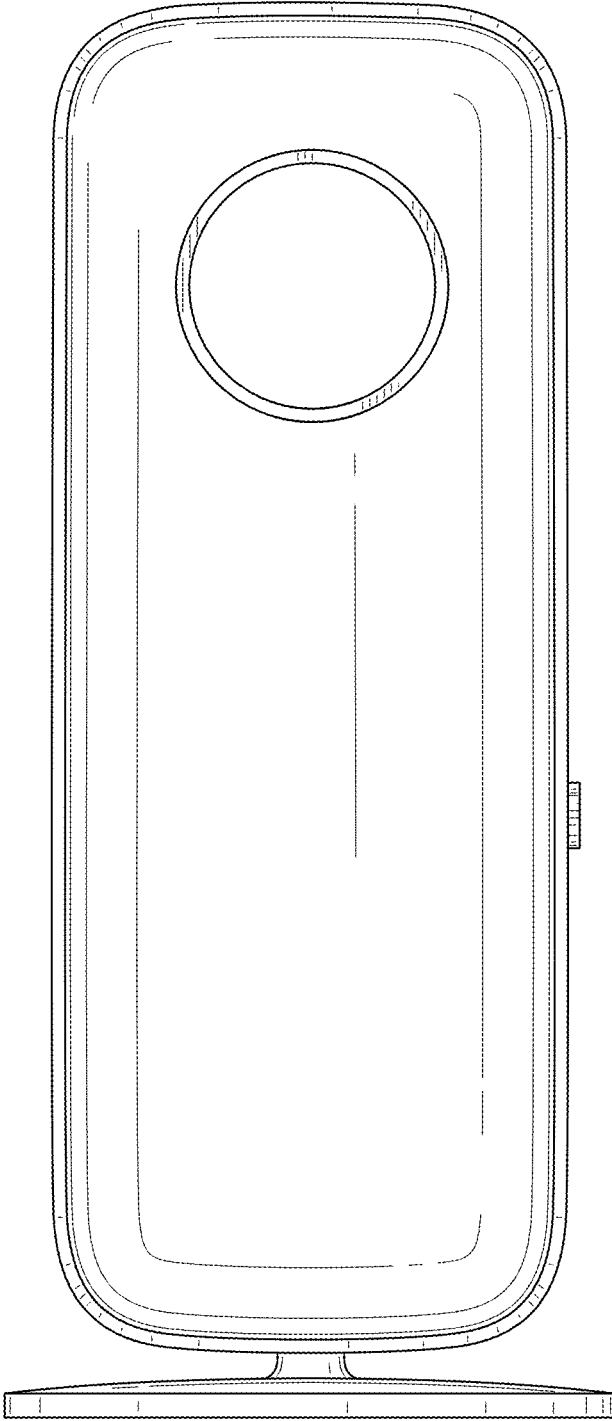


FIG. 3

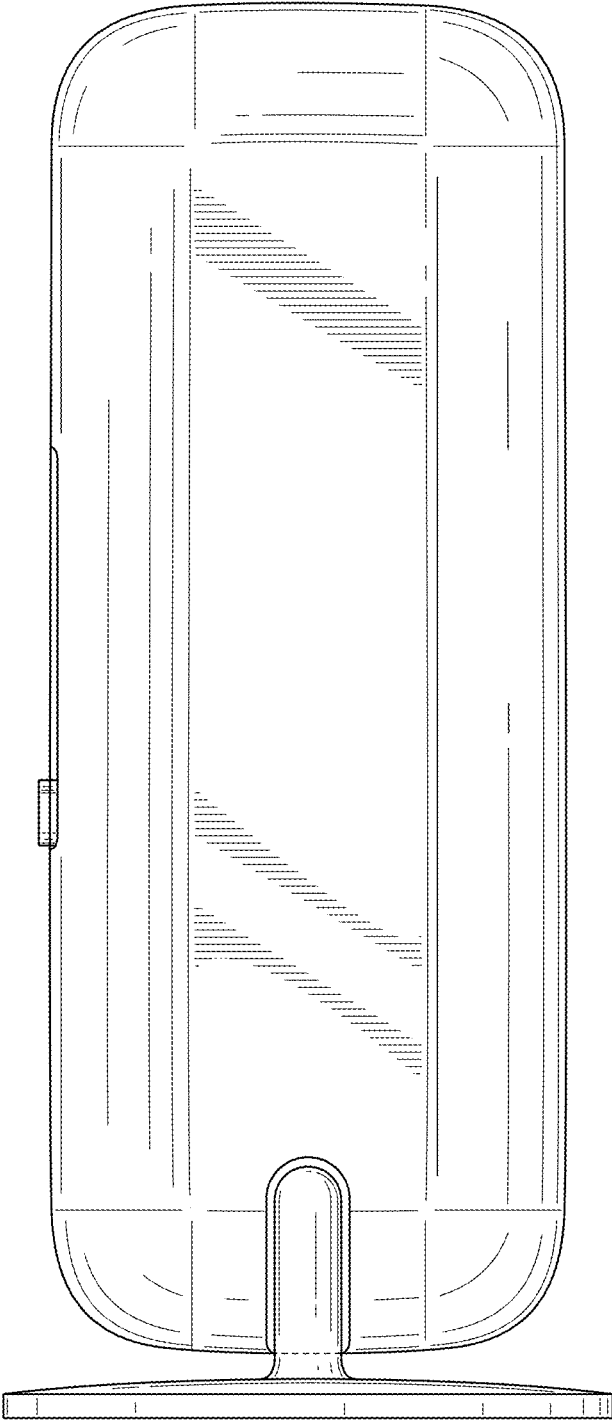


FIG. 4

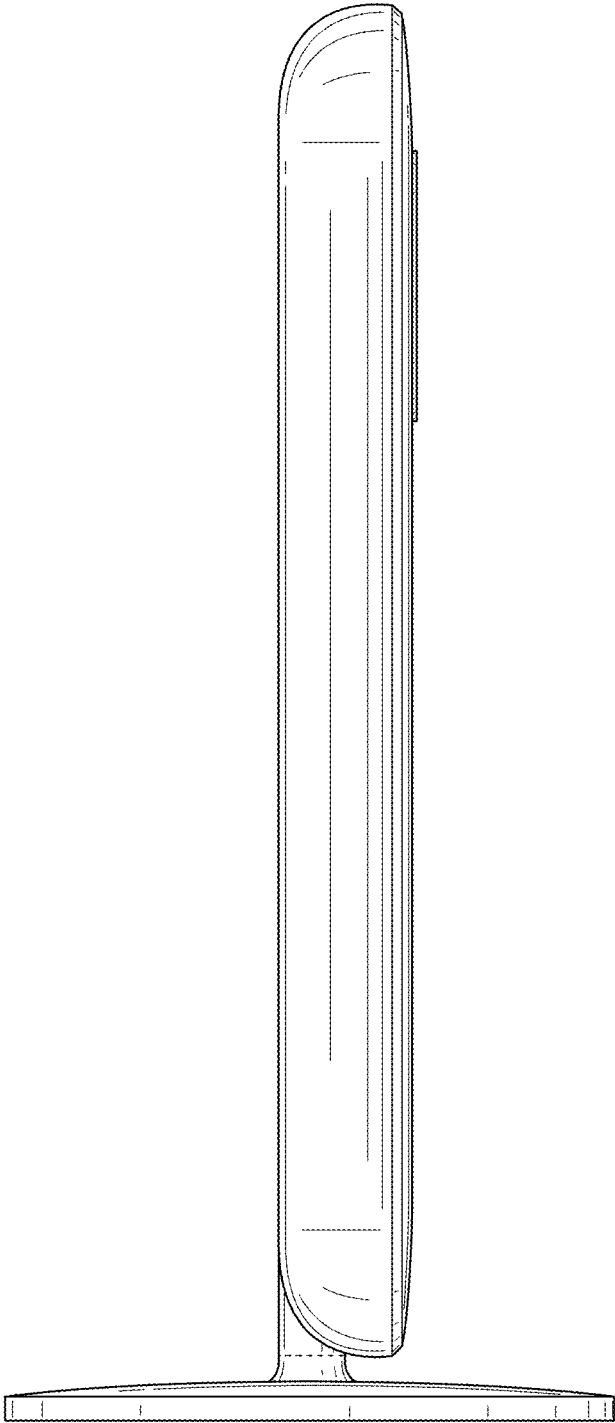


FIG. 5

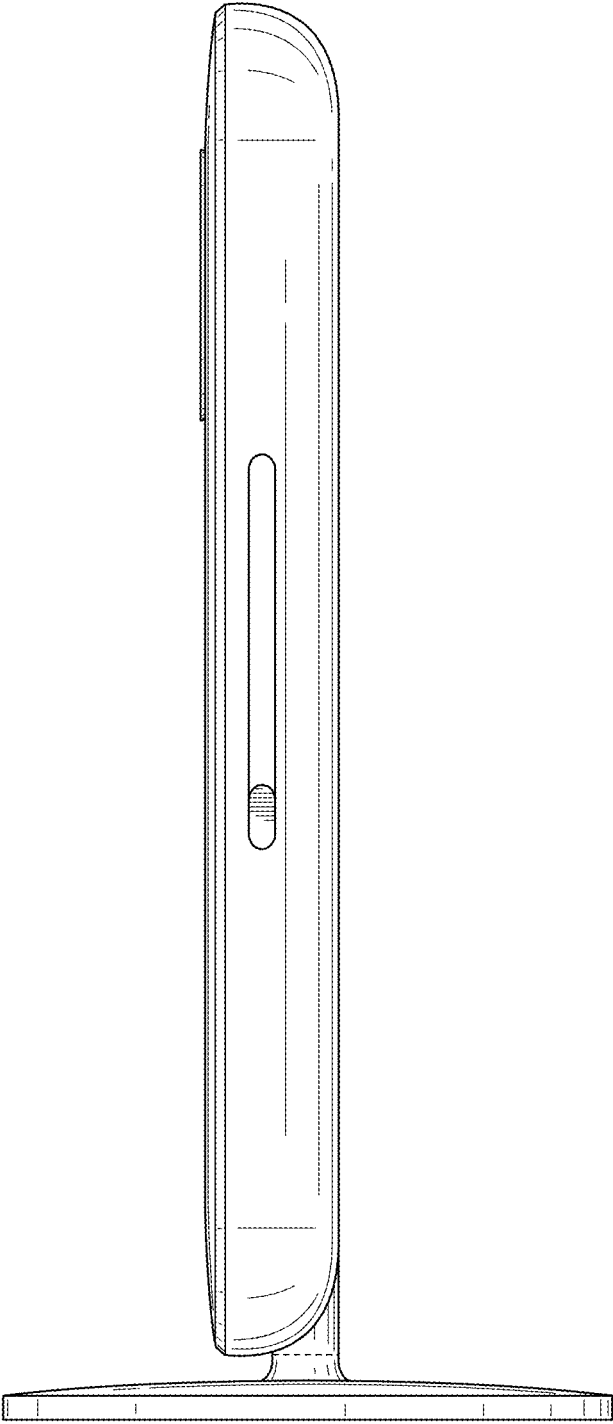


FIG. 6

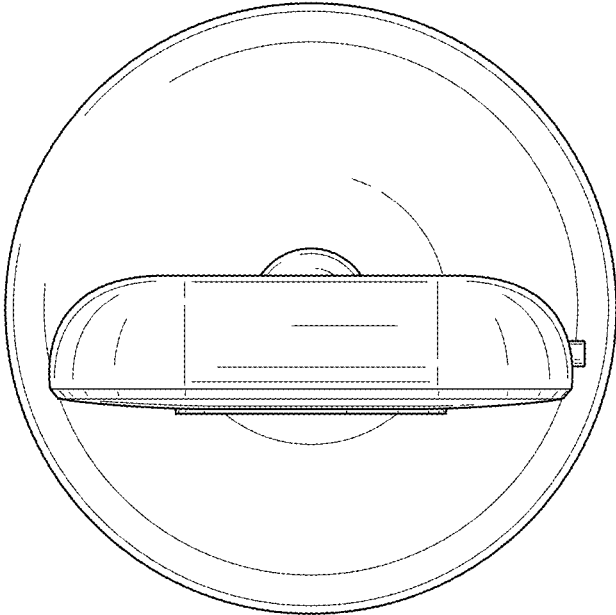


FIG. 7