



US00D748855S

(12) **United States Design Patent**
Hightower

(10) **Patent No.:** **US D748,855 S**

(45) **Date of Patent:** **** *Feb. 2, 2016**

(54) **BRAID PULLER COMB**

(71) Applicant: **Marcus Hightower**, Palmdale, CA (US)

(72) Inventor: **Marcus Hightower**, Palmdale, CA (US)

(*) Notice: This patent is subject to a terminal disclaimer.

(**) Term: **14 Years**

(21) Appl. No.: **29/471,660**

(22) Filed: **Nov. 4, 2013**

(51) **LOC (10) Cl.** **28-03**

(52) **U.S. Cl.**
USPC **D28/21**; D28/31
CPC **A45D 24/00** (2013.01)

(58) **Field of Classification Search**
USPC D28/7, 20-34; 132/53, 112, 126, 150,
132/208, 219.216; D32/49; 15/142, 143.1;
D30/158, 159
CPC A45D 24/00
See application file for complete search history.

(56) **References Cited**

U.S. PATENT DOCUMENTS

2,254,816	A *	9/1941	Bergmann	132/122
2,564,239	A *	8/1951	Voight	132/106
3,358,698	A *	12/1967	Blanchard	132/252

D253,970	S *	1/1980	Whiteman	D28/25
D276,945	S *	12/1984	Goodrich	D32/49
D457,983	S *	5/2002	Bejdova	D28/37
D646,434	S *	10/2011	Libman et al.	D28/33

* cited by examiner

Primary Examiner — Zenia Bennett
(74) *Attorney, Agent, or Firm* — Daniel Boudwin; Global Intellectual Property Agency LLC

(57) **CLAIM**

The ornamental design for a braid puller comb, as shown and described.

DESCRIPTION

FIG. 1 shows a perspective view of the braid puller comb of the present invention.

FIG. 2 shows a front view of the braid puller comb of the present invention.

FIG. 3 shows a rear view of the braid puller comb of the present invention.

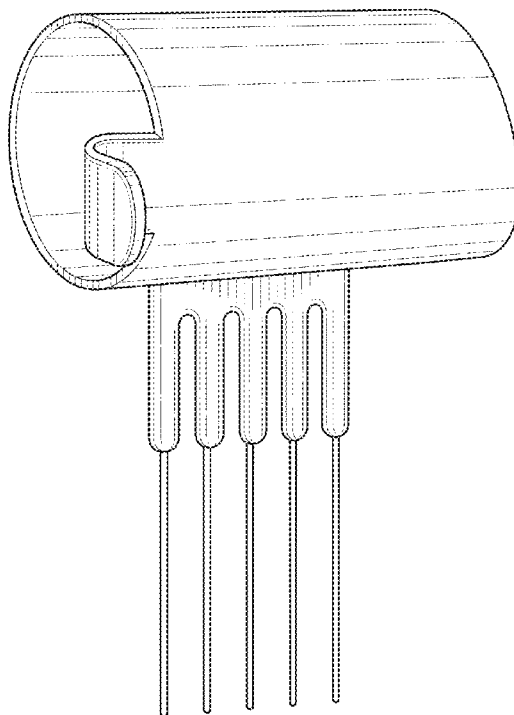
FIG. 4 shows a first side view of the braid puller comb of the present invention.

FIG. 5 shows a second side view of the braid puller comb of the present invention.

FIG. 6 shows an overhead view of the braid puller comb of the present invention; and,

FIG. 7 shows an underside view of the braid puller comb of the present invention.

1 Claim, 4 Drawing Sheets



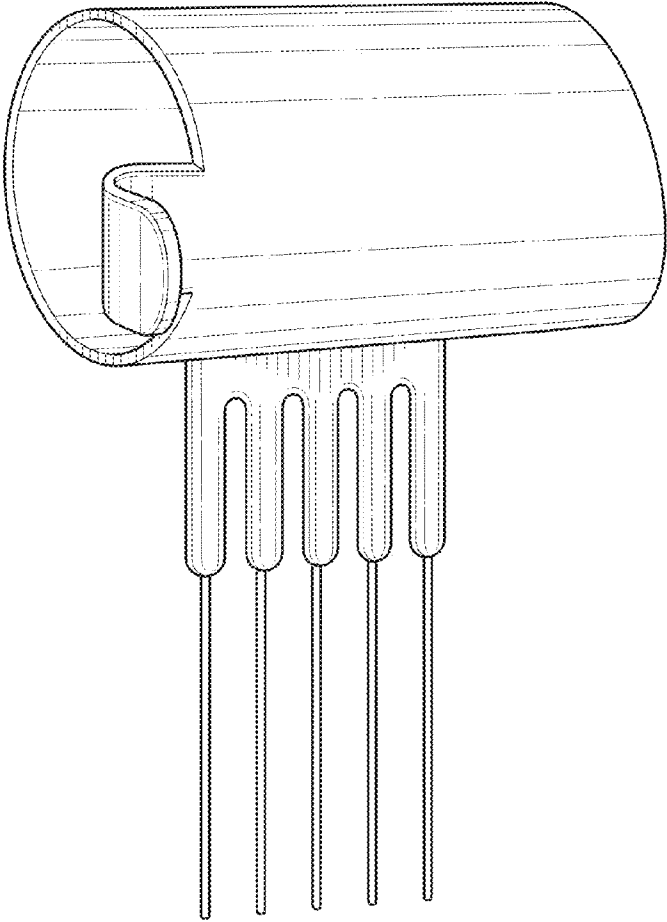


FIG. 1

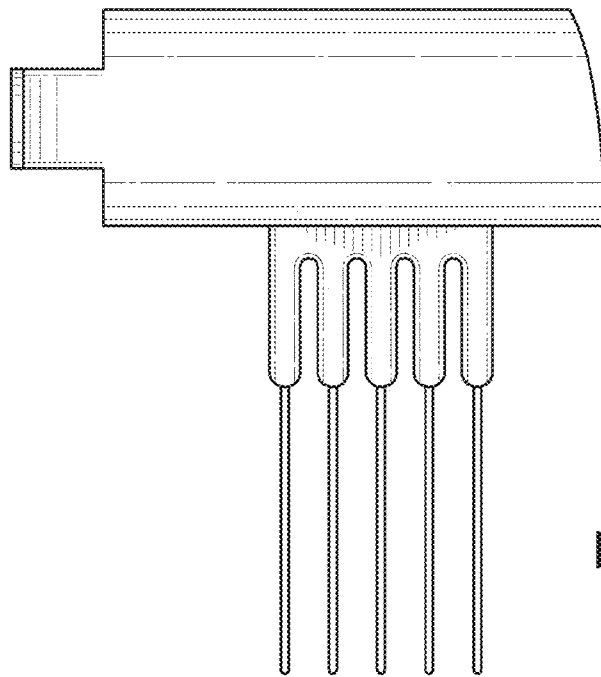


FIG. 2

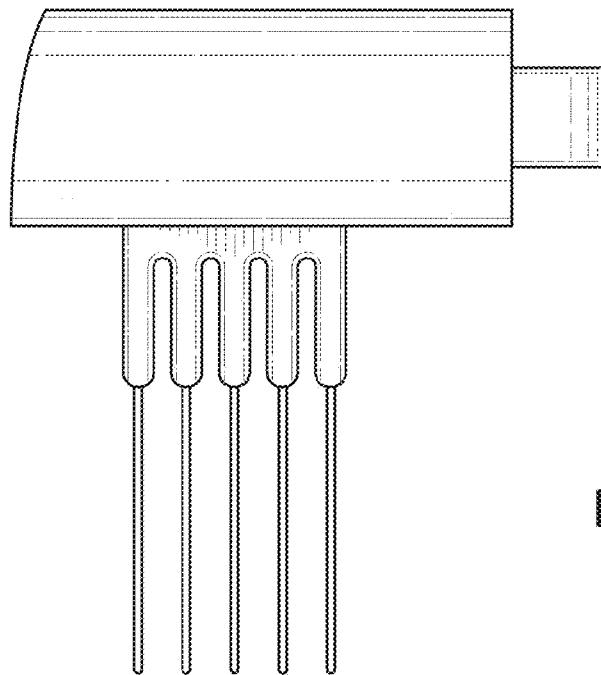


FIG. 3

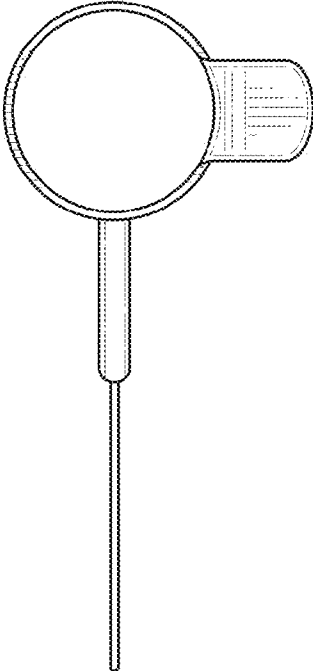


FIG. 4

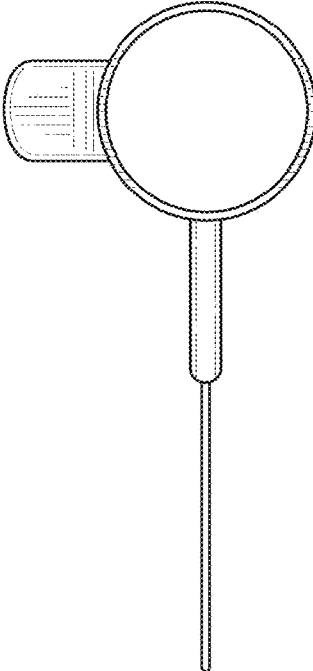


FIG. 5

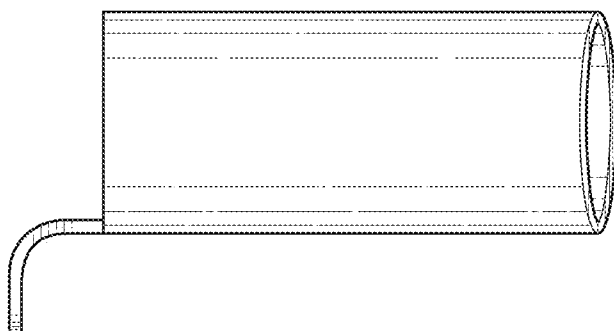


FIG. 6

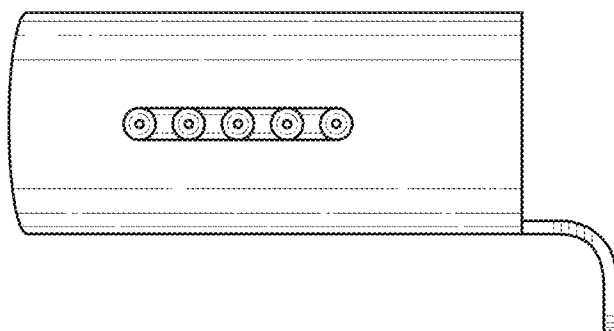


FIG. 7