

(19) World Intellectual Property Organization  
International Bureau



(43) International Publication Date  
27 February 2003 (27.02.2003)

PCT

(10) International Publication Number  
WO 03/016778 A3

(51) International Patent Classification<sup>7</sup>: F21L 4/04

(21) International Application Number: PCT/US02/25771

(22) International Filing Date: 14 August 2002 (14.08.2002)

(25) Filing Language: English

(26) Publication Language: English

(30) Priority Data:  
09/932,443 16 August 2001 (16.08.2001) US

(71) Applicant: MAG INSTRUMENT, INC. [US/US]; 1635 S. Sacramento Avenue, Ontario, CA 91761 (US).

(72) Inventor: MAGLICA, Anthony; 1635 S. Sacramento Avenue, Ontario, CA 91761 (US).

(74) Agents: WEISS, Robert, C. et al.; Jones, Day, Reavis & Pogue, 555 West Fifth Street, Suite 4600, Los Angeles, CA 90013-1025 (US).

(81) Designated States (national): AE, AG, AL, AM, AT, AU, AZ, BA, BB, BG, BR, BY, BZ, CA, CH, CN, CO, CR, CU,

CZ, DE, DK, DM, DZ, EC, EE, ES, FI, GB, GD, GE, GH, GM, HR, HU, ID, IL, IN, IS, JP, KE, KG, KP, KR, KZ, LC, LK, LR, LS, LT, LU, LV, MA, MD, MG, MK, MN, MW, MX, MZ, NO, NZ, OM, PH, PL, PT, RO, RU, SD, SE, SG, SI, SK, SL, TJ, TM, TN, TR, TT, TZ, UA, UG, UZ, VC, VN, YU, ZA, ZM, ZW.

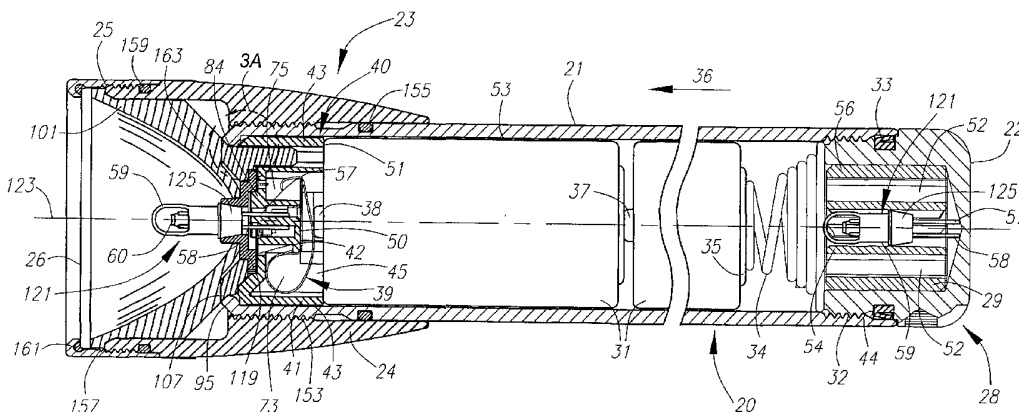
(84) Designated States (regional): ARIPO patent (GH, GM, KE, LS, MW, MZ, SD, SL, SZ, TZ, UG, ZM, ZW), Eurasian patent (AM, AZ, BY, KG, KZ, MD, RU, TJ, TM), European patent (AT, BE, BG, CH, CY, CZ, DE, DK, EE, ES, FI, FR, GB, GR, IE, IT, LU, MC, NL, PT, SE, SK, TR), OAPI patent (BF, BJ, CF, CG, CI, CM, GA, GN, GQ, GW, ML, MR, NE, SN, TD, TG).

Published:  
— with international search report

(88) Date of publication of the international search report:  
24 July 2003

For two-letter codes and other abbreviations, refer to the "Guidance Notes on Codes and Abbreviations" appearing at the beginning of each regular issue of the PCT Gazette.

(54) Title: FLASHLIGHT AND COMBINATION FOR USE IN ALIGNING FLASHLIGHT LAMP BULBS



(57) Abstract: A combination for use in aligning a lamp bulb (59) with the principle axis (123) of a reflector (101). The combination includes a lamp bulb (59) and a lamp base (125). The lamp bulb (59) has a pair of electrodes (57, 58) and a filament (60) extending between the electrodes (57, 58). The lamp base (125) is adapted to receive the electrodes (57, 58) of the lamp bulb (59) which is secure to the lamp base (125), so that the electrodes (57, 58) extend through the base (125) and the filament (60) is aligned with a predetermined axis (141) extending through the base (125). The base (125) is configured to be seated in a bore (143) so as to align the predetermined axis (141) with the principal axis (123).



WO 03/016778 A3

# INTERNATIONAL SEARCH REPORT

International application No.

PCT/US02/25771

**A. CLASSIFICATION OF SUBJECT MATTER**

IPC(7) : F21L 4/04  
 US CL : 362/203

According to International Patent Classification (IPC) or to both national classification and IPC

**B. FIELDS SEARCHED**

Minimum documentation searched (classification system followed by classification symbols)

U.S. : 362/203, 157, 187, 188, 202, 205, 206, 208

Documentation searched other than minimum documentation to the extent that such documents are included in the fields searched  
 NONE

Electronic data base consulted during the international search (name of data base and, where practicable, search terms used)  
 USPTO APS EAST

**C. DOCUMENTS CONSIDERED TO BE RELEVANT**

Category *	Citation of document, with indication, where appropriate, of the relevant passages	Relevant to claim No.
X --- A	US 5,158,358 A (MAGLICA et al) 27 October 1992 (27.10.1992), Figures 4 and 10.	1,2,4-7,14,15,17,23-26,28-31,38-42,44,45,55-69 ----- 3,8-13,16,18-22,27,32-37,43,46-54,70
X --- A	US 5,601,359 A (SHARRAH et al) 11 February 1997 (11.02.1997), Figure 1.	1,2,4-7,14,15,17,23-26,28-31,38-42,44,45,55-69 ----- 3,8-13,16,18-22,27,32-37,43,46-54,70

Further documents are listed in the continuation of Box C.


See patent family annex.

* Special categories of cited documents:		"T"	later document published after the international filing date or priority date and not in conflict with the application but cited to understand the principle or theory underlying the invention
"A"	document defining the general state of the art which is not considered to be of particular relevance	"X"	document of particular relevance; the claimed invention cannot be considered novel or cannot be considered to involve an inventive step when the document is taken alone
"E"	earlier application or patent published on or after the international filing date	"Y"	document of particular relevance; the claimed invention cannot be considered to involve an inventive step when the document is combined with one or more other such documents, such combination being obvious to a person skilled in the art
"L"	document which may throw doubts on priority claim(s) or which is cited to establish the publication date of another citation or other special reason (as specified)	"&"	document member of the same patent family
"O"	document referring to an oral disclosure, use, exhibition or other means		
"P"	document published prior to the international filing date but later than the priority date claimed		

Date of the actual completion of the international search  
 09 October 2002 (09.10.2002)

Date of mailing of the international search report  
 14 FEB 2003

Name and mailing address of the ISA/US  
 Commissioner of Patents and Trademarks  
 Box PCT  
 Washington, D.C. 20231  
 Facsimile No. (703) 305-3230

Authorized officer  
 ISMAEL NEGRON  
 Telephone No. (703) 308-6086  


# INTERNATIONAL SEARCH REPORT

International application No.

PCT/US02/25771

## Box I Observations where certain claims were found unsearchable (Continuation of Item 1 of first sheet)

This international report has not been established in respect of certain claims under Article 17(2)(a) for the following reasons:

1.  Claim Nos.:  
because they relate to subject matter not required to be searched by this Authority, namely:
  
2.  Claim Nos.: 46-50  
because they relate to parts of the international application that do not comply with the prescribed requirements to such an extent that no meaningful international search can be carried out, specifically:  
Please See Continuation Sheet
  
3.  Claim Nos.:  
because they are dependent claims and are not drafted in accordance with the second and third sentences of Rule 6.4(a).

## Box II Observations where unity of invention is lacking (Continuation of Item 2 of first sheet)

This International Searching Authority found multiple inventions in this international application, as follows:

1.  As all required additional search fees were timely paid by the applicant, this international search report covers all searchable claims.
  2.  As all searchable claims could be searched without effort justifying an additional fee, this Authority did not invite payment of any additional fee.
  3.  As only some of the required additional search fees were timely paid by the applicant, this international search report covers only those claims for which fees were paid, specifically claims Nos.:
  
  4.  No required additional search fees were timely paid by the applicant. Consequently, this international search report is restricted to the invention first mentioned in the claims; it is covered by claims Nos.:
- Remark on Protest  The additional search fees were accompanied by the applicant's protest.  
 No protest accompanied the payment of additional search fees.

INTERNATIONAL SEARCH REPORT

PCT/US02/25771

C. (Continuation) DOCUMENTS CONSIDERED TO BE RELEVANT

Category *	Citation of document, with indication, where appropriate, of the relevant passages	Relevant to claim No.
X,P --- A,P	US 6,347,878 B1 (SHIAO) 19 February 2002 (19.02.2002), Figures 3-6.	1,2,4-7,14,15,17,23- 26,28-31,38-42,44, 45,55-69 ----- 3,8-13,16,18-22,27, 32-37,43,46-54,70
X --- A	US 5,293,307 A (MAGLICA) 08 March 1994 (08.03.1994), Figures 2-7.	1,2,4-7,14,15,17,23- 26,28-31,38-42,44,45 ----- 3,8-13,16,18-22,27, 32-37,43,46-70
X --- A	US 5,560,705A (SHIAU) 01 October 1996 (01.10.1996), Figures 5-7 and 9-13.	1,2,4-7,14,15,17,23- 26,28-31,38-42,44,45 ----- 3,8-13,16,18-22,27, 32-37,43,46-70
X --- A	US 6,074,072 A (PARSONS et al) 13 June 2000 (13.06.2000), Figure 1-4.	1,2,4-7,14,15,17,23- 26,28-31,38-42,44,45 ----- 3,8-13,16,18-22,27, 32-37,43,46-70

INTERNATIONAL SEARCH REPORT

PCT/US02/25771

**Continuation of Item 4 of the first sheet:**

FLASHLIGHT, FLASHLIGHT HEAD, TAIL CAP AND COMBIANTION THEREOF, FOR USE IN ALIGNING FLASHLIGHT LAMP BULBS

**Continuation of Box I Reason 2:**

Claims 46-50 objected to under PCT Rule 66.2(a)(v) as lacking clarity under PCT Article 6 because claim 46 indefinite for the following reason(s): Claim 46 is dependent upon itself. Claims 47-50 are objected for their dependency on claim 46.