



(22) Date de dépôt/Filing Date: 2000/03/15

(41) Mise à la disp. pub./Open to Public Insp.: 2001/09/15

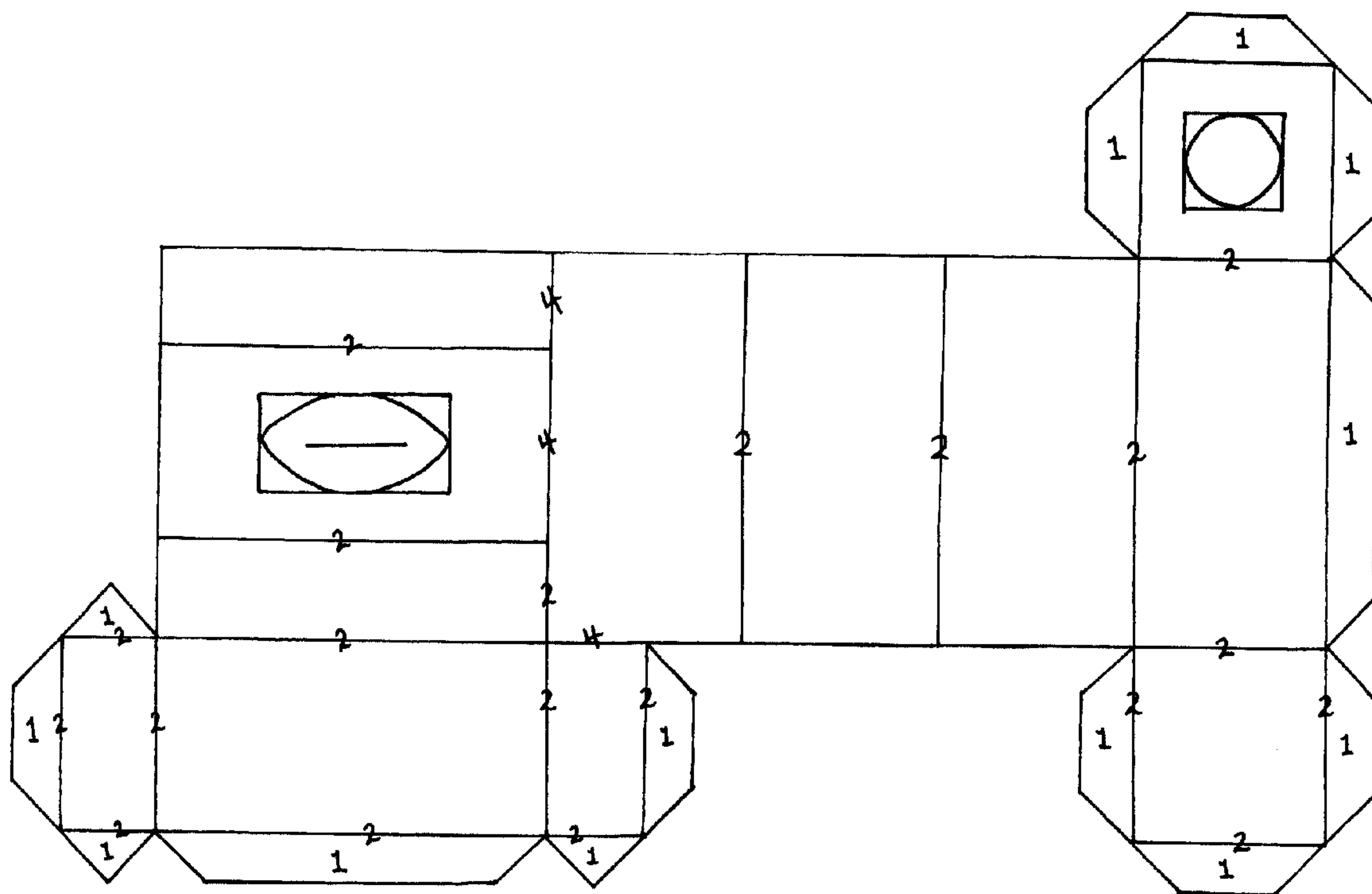
(51) Cl.Int.⁷/Int.Cl.⁷ A47K 10/44

(71) Demandeur/Applicant:
WORTHINGTON, KEVIN, CA

(72) Inventeur/Inventor:
WORTHINGTON, KEVIN, CA

(54) Titre : BOITE A MOUCHOIRS

(54) Title: TISSUE BOX



(57) Abrégé/Abstract:

A regular tissue box is simply designed to hold tissues without any added features that would maximize its use. However, this new invention takes on tissue box and adds two extra features to heighten the effectiveness of an everyday household tissue box. The first feature involves attaching a second upright box which will be used as a disposal unit for used tissues as well as other garbage. The second addition is four velcro circles that will be placed appropriately on the bottom so as to make the tissue box a sturdy object that could be placed on a counter, on the wall, in the car, or on a bedside table.

Abstract

A regular tissue box is simply designed to hold tissues without any added features that would maximize it's use. However, this new invention takes on tissue box and ads two extra features to heighten the effectiveness of an everyday household tissue box. The first feature involves attaching a second upright box which will be used as a disposal unit for used tissues as well as other garbage. The second addition is four velcro circles that will be placed appropriately on the bottom so as to make the tissue box a sturdy object that could be placed on a counter, on the wall, in the car, or on a bedside table.

Specification

This invention relates to household items and/or sanitary goods.

Tissue boxes are common everyday items which, until now, have only been a box containing a number of soft tissues in a convenient cardboard package. As well, there is not always a garbage handy to dispose of waste materials. Sometimes the tissue box may even slide around in car seats and fall off counter tops. Therefore, it does not always provide constant availability.

However, with this new invention, these previous difficulties are easily resolved. The velcro circles allow the box to be affixed to a flat surface in order to prevent unnecessary movement. In addition, the added part is designed as a garbage disposal unit. This added feature stands vertical beside the main horizontal tissue box. These new details provide easy access for throwing away used tissues and the ability to secure the box to any surface.

Drawings and Details

In drawings which illustrate embodiments of the invention, Figure I is a layout of the cardboard piece before it is assembled into two adjoining boxes. Figure II illustrates a side view of the finished product. Figure III is a top view of the assembled box. Finally, Figure IV is a view from the bottom which shows the areas where small velcro circles will be attached to the final product.

In Figure One, the tissue box has been drawn as it would appear before assembled. The number 1 represents all the tabs that are later folded together and glued in order to create the box. The places labeled with the number 2 represent where all of the folds are, and the two 3's

show the openings of the box. One being the opening of the tissues and the other being the garbage chute. The number 4 shows the sides of cardboard that are to be cut rather than folded. This is to ensure that the finished product will join together precisely.

In Figure II, this illustration concentrates on the actual product after it has been assembled. This diagram is a side view of the tissue box. Number 1 represents the tissue box and number 2 describes the garbage unit where used tissues are placed.

Figure III shows the view from above. In this picture, 1 represents the tissue box. The number 2 shows where the opening of the tissue box is. The hole is an oval shape which has corrugated sides so that the piece of cardboard can be easily ripped off. This feature is the same as that of a normal tissue box. Once the cardboard oval is taken off, a thin plastic layer appears and it has a horizontal slit in it in order for the tissues to come out of the box (one at a time). Number 3 is for the opening of the garbage unit, and number 4 represents a plastic chute which the garbage goes through to make sure that the waste will not fall out if overturned. The number 5 is the actual tissue box while 6 is the disposal unit.

In the last diagram (Figure IV), the number 1 shows the tissue box, 2 is the garbage, and the four number 3's represent the tiny velcro circles which are affixed to the bottom of the tissue/garbage box. Thus, this diagram is a view from underneath the unit.

1. A regular tissue box with innovations incorporated into its basic structure.
2. This tissue box mentioned in claim 1 has a second box interconnected to its side which allows the user to dispose of the tissue taken from the 1st claim into the 2nd claim.
3. These two interconnected structures mentioned in the 1st and 2nd claim have velcro circles glued to the bottom of them which allows for the structure to be mounted on just about anything, giving the structure a home.
4. Once the structure mentioned in the 1st, 2nd and 3rd claim is empty of clean tissue and full of dirty ones it is discarded leaving the lower portion of velcro glued to whatever surface was chosen to have the tissue box attached to it, this velcro will then attach to the bottom of a fresh new tissue box which only comes with the top part of the velcro.

Figure I

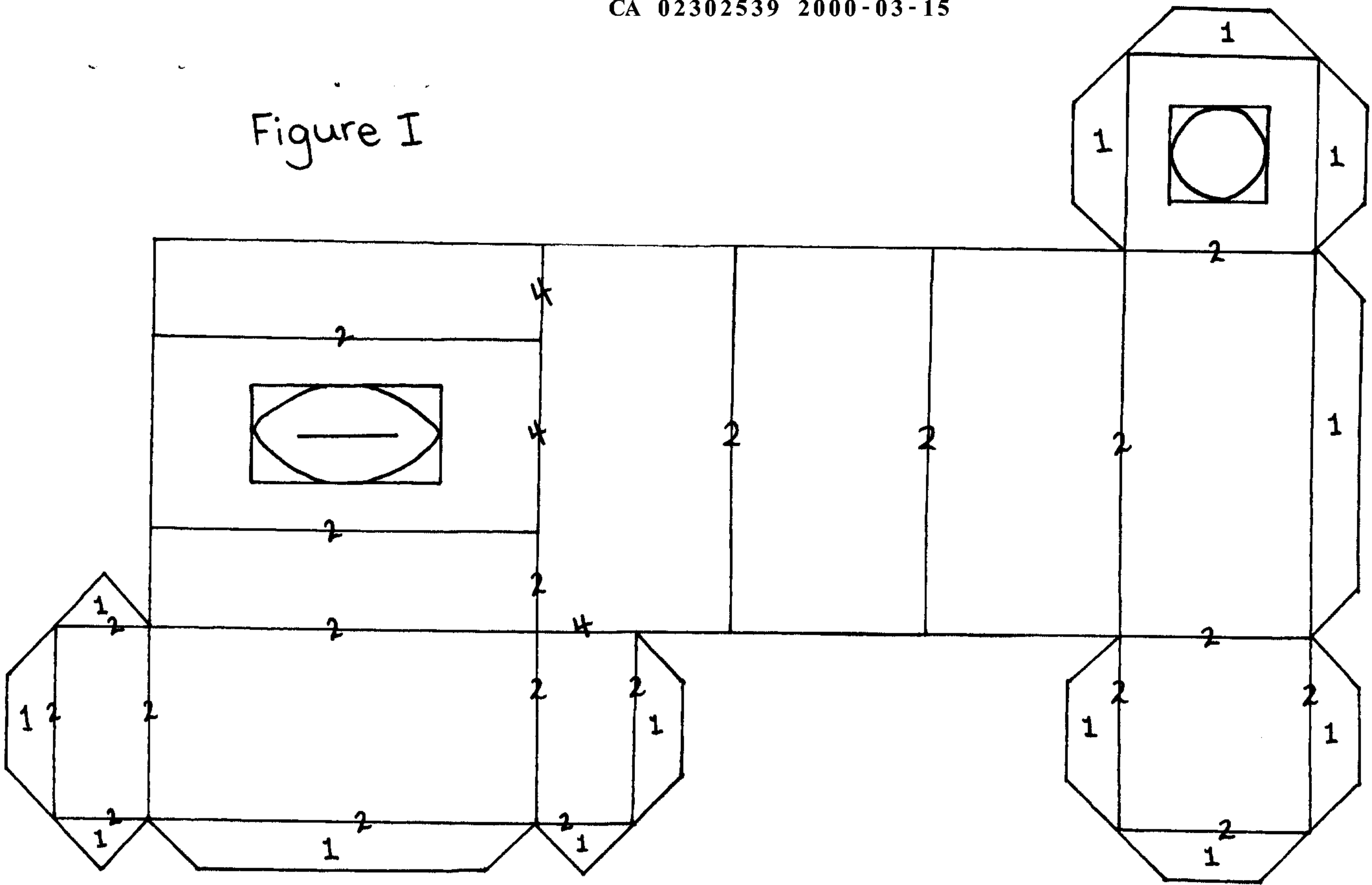


Figure II

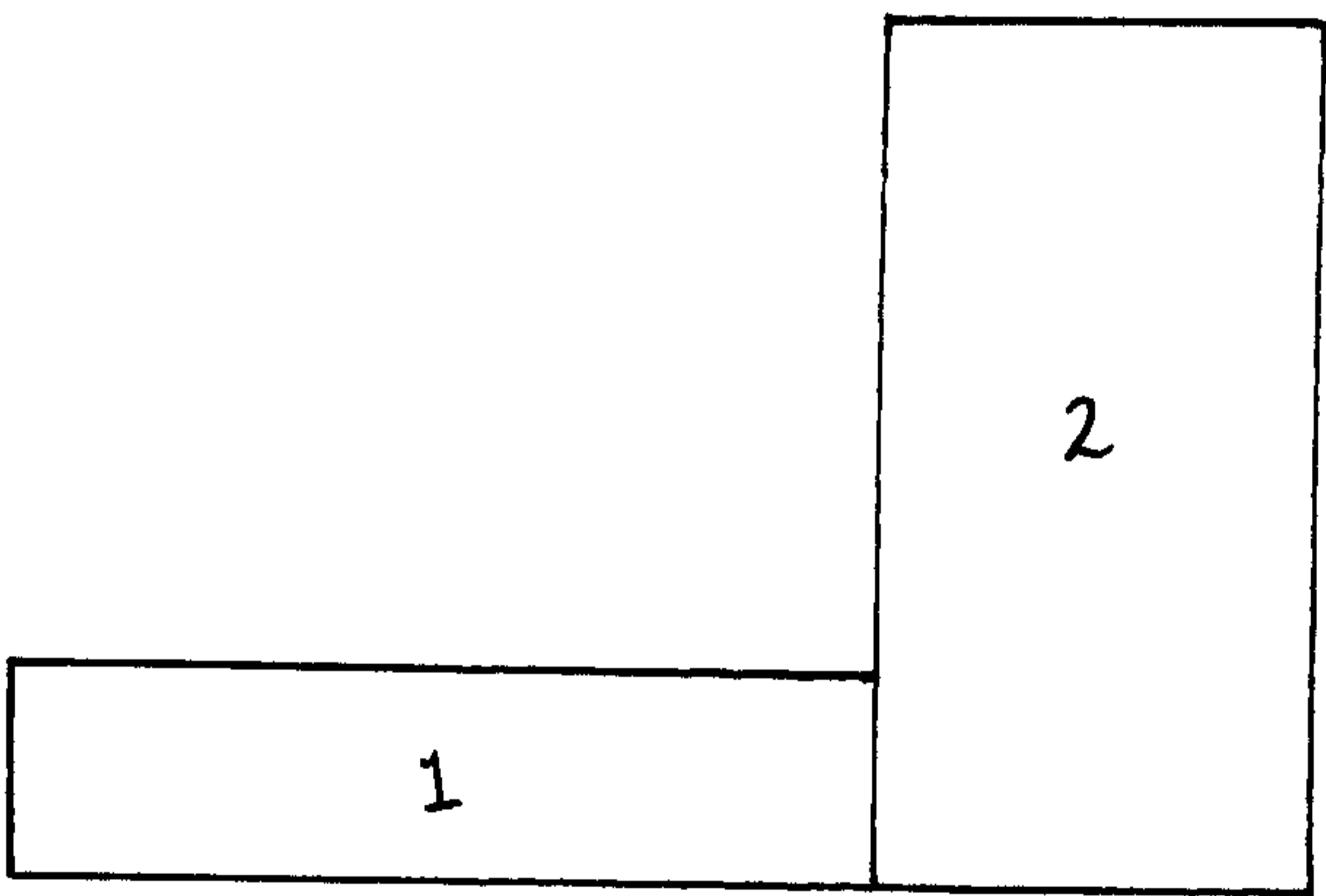


Figure III

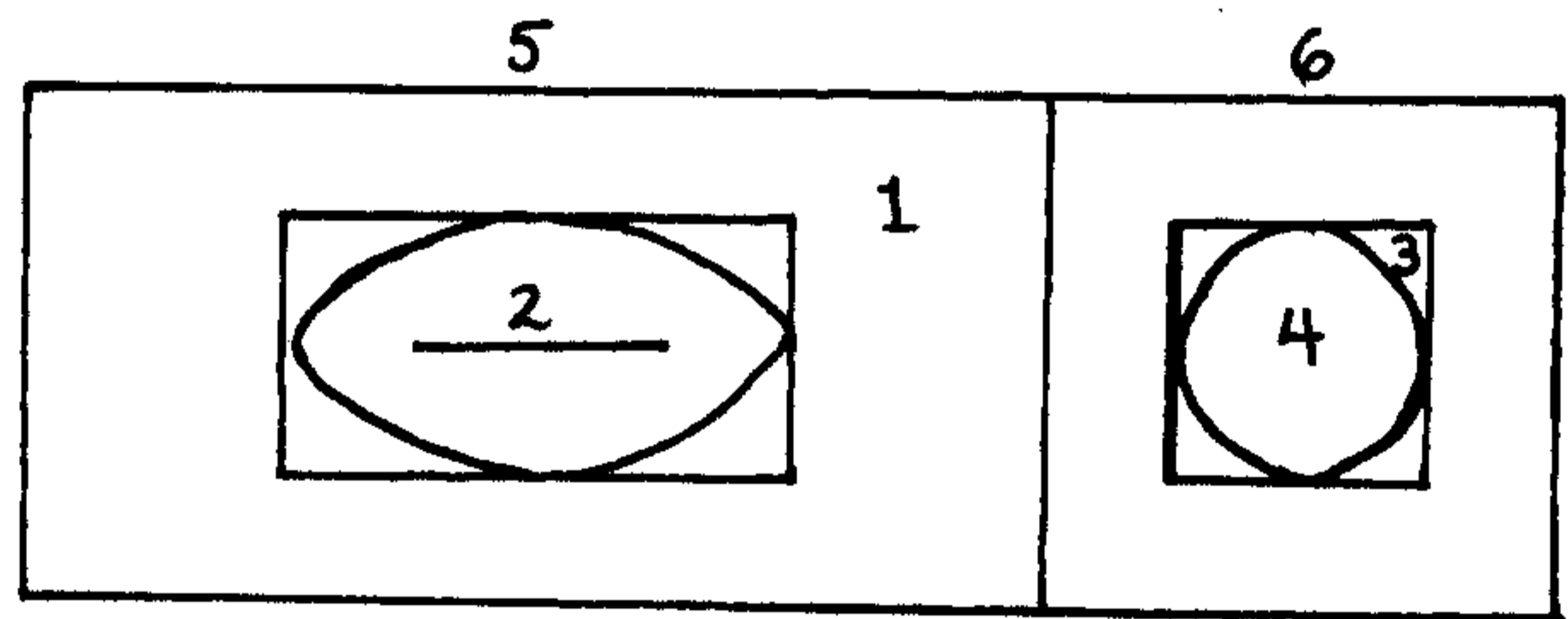


Figure IV

