



US00D473461S

(12) **United States Design Patent** (10) **Patent No.:** **US D473,461 S**
Joubert (45) **Date of Patent:** **** Apr. 22, 2003**

- (54) **CONTAINER**
- (75) Inventor: **Jacques-Francois Joubert**, Happy Valley (HK)
- (73) Assignee: **JEF Limited**, Kwai Chung (HK)
- (**) Term: **14 Years**
- (21) Appl. No.: **29/148,141**
- (22) Filed: **Sep. 17, 2001**
- (51) **LOC (7) Cl.** **09-03**
- (52) **U.S. Cl.** **D9/423**
- (58) **Field of Search** D9/420-424, 414, D9/432, 337, 509, 516, 517, 529; D3/203; D7/590, 601; 206/440, 441, 528; 220/549, 550, 534, 527, 812, 796; 229/122.2, 160.1

D407,972 S * 4/1999 Hilton D9/422
D449,782 S * 10/2001 Diaz D9/423

* cited by examiner

Primary Examiner—Prabhakar Deshmukh
(74) *Attorney, Agent, or Firm*—Burns, Doane, Swecker & Mathis, LLP

(57) **CLAIM**

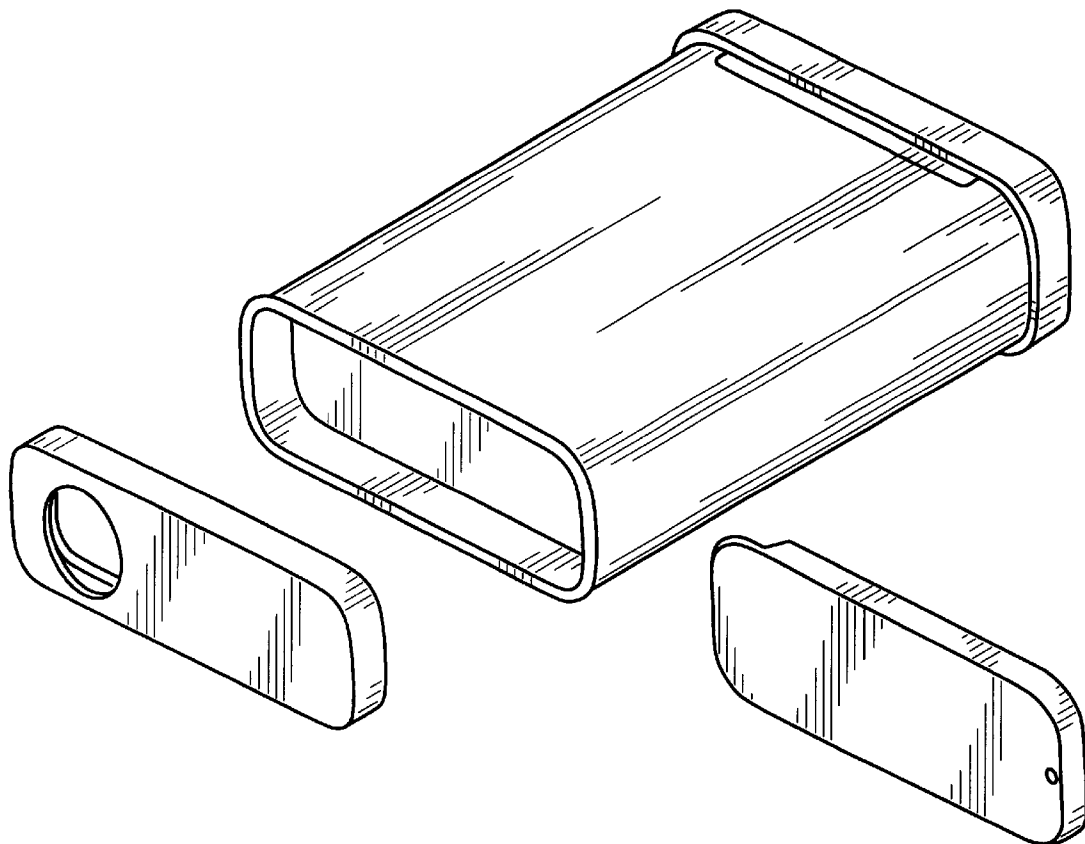
The ornamental design for “container”, as shown and described.

DESCRIPTION

FIG. 1 is a front perspective view of “container” showing my new design;
FIG. 2 is an alternate perspective view showing the container with an upper lid opened thereof;
FIG. 3 is a front elevational view thereof;
FIG. 4 is a bottom plan view thereof;
FIG. 5 is a top plan view thereof;
FIG. 6 is a rear elevational view thereof;
FIG. 7 is a bottom perspective view showing the container with a lower lid half-opened thereof; and,
FIG. 8 is an exploded view showing the container with a receptacle and the lower lid removed thereof.

- (56) **References Cited**
- U.S. PATENT DOCUMENTS**
- 2,533,305 A * 12/1950 Wells 229/125.08
- 3,454,181 A * 7/1969 Plaskan 220/8
- 3,872,996 A * 3/1975 Dogliotti D9/423 X
- 4,502,609 A * 3/1985 Christatos 220/812
- D364,344 S * 11/1995 Shaw D9/423
- D386,001 S * 11/1997 Saffran D9/423
- 5,720,617 A * 2/1998 Var 229/122.2

1 Claim, 7 Drawing Sheets



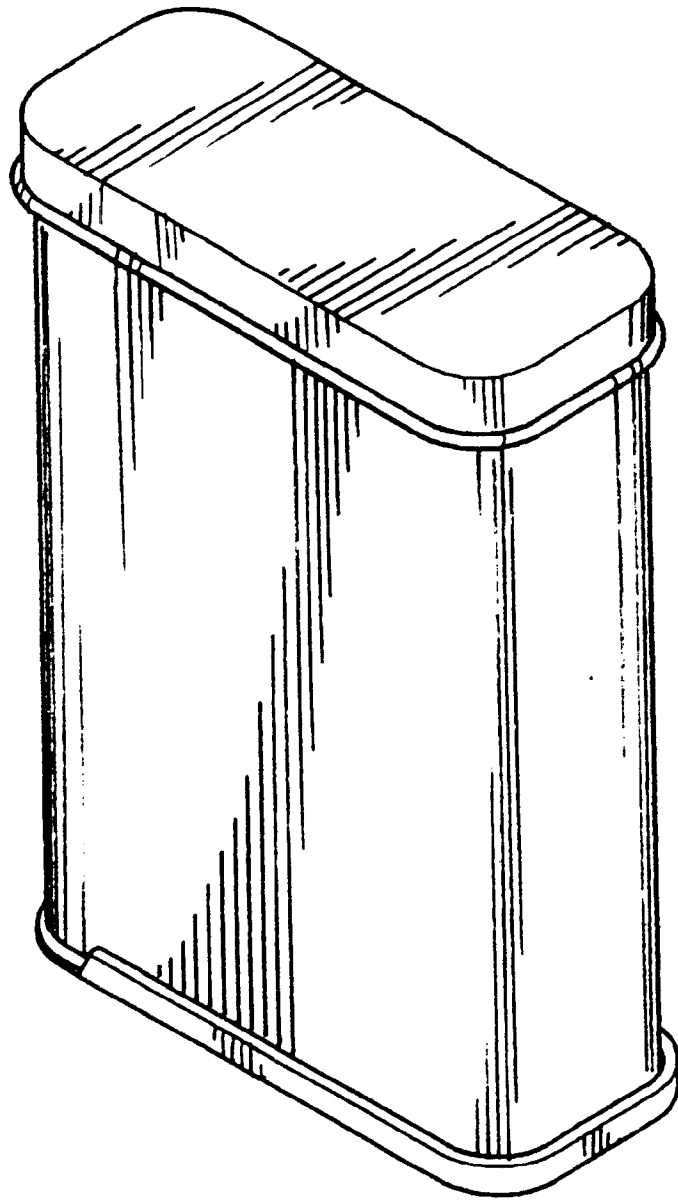


FIG. 1

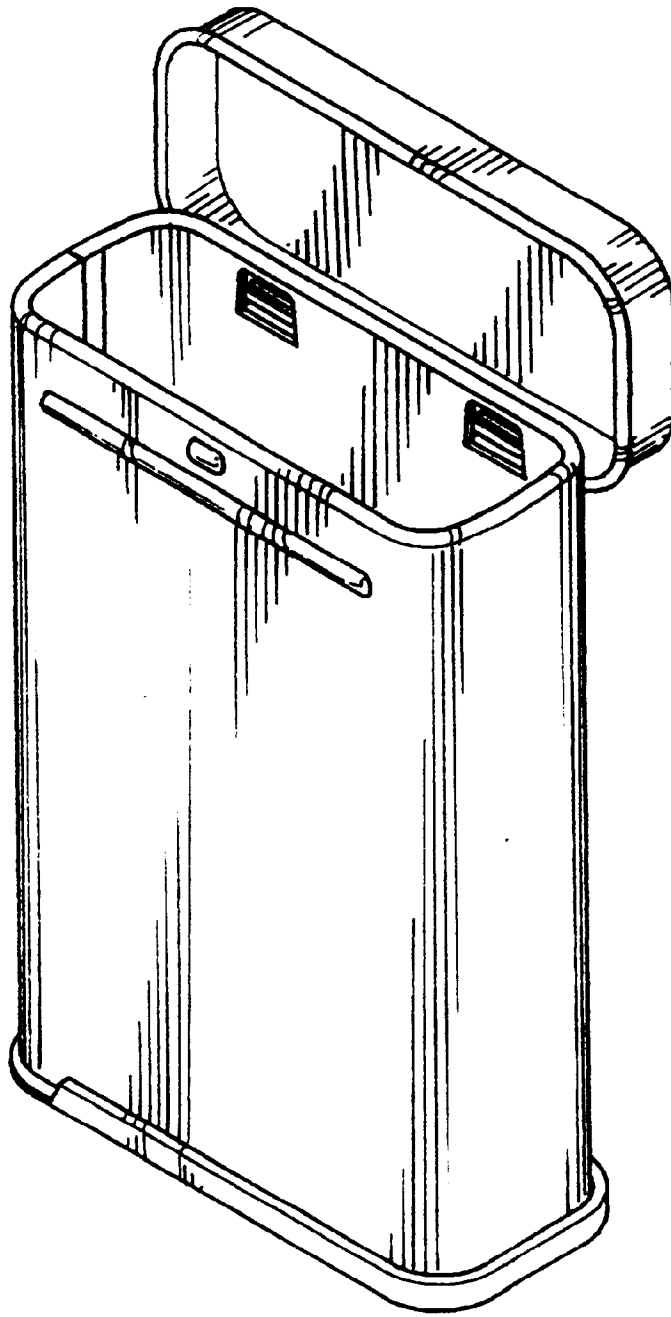


FIG. 2

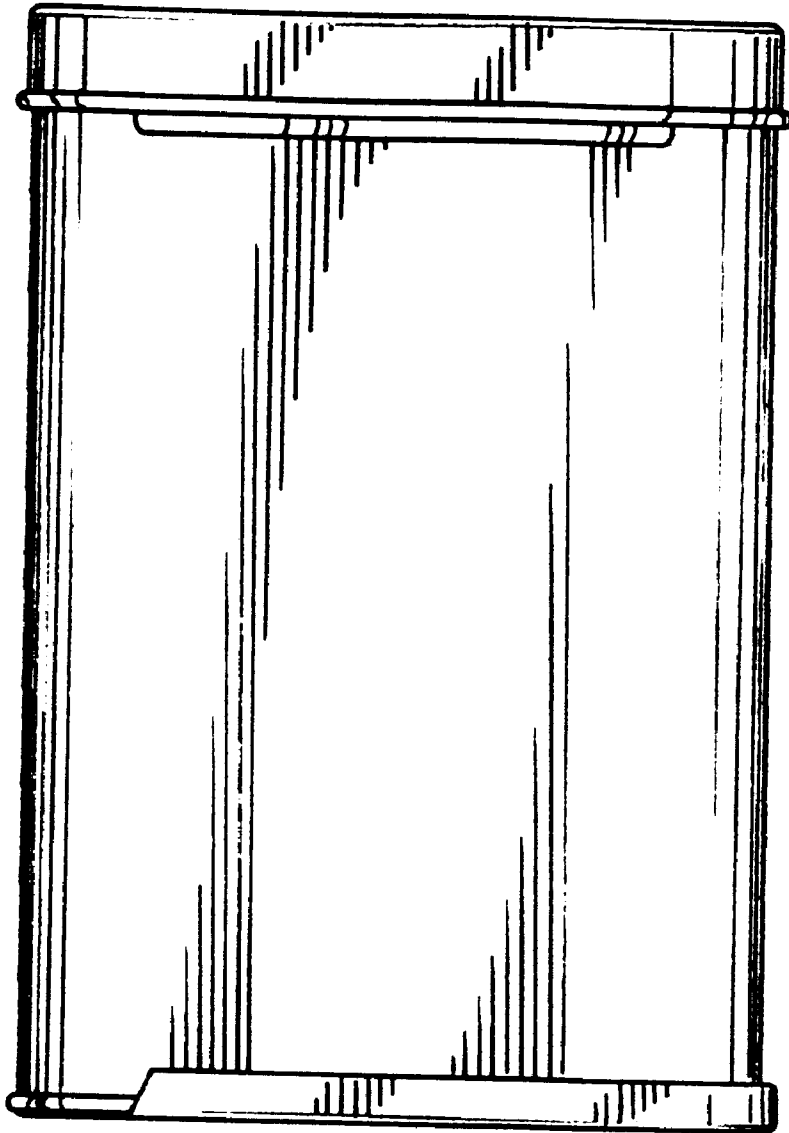


FIG. 3

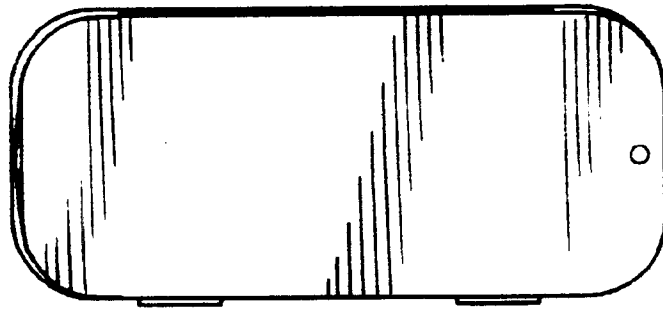


FIG. 4

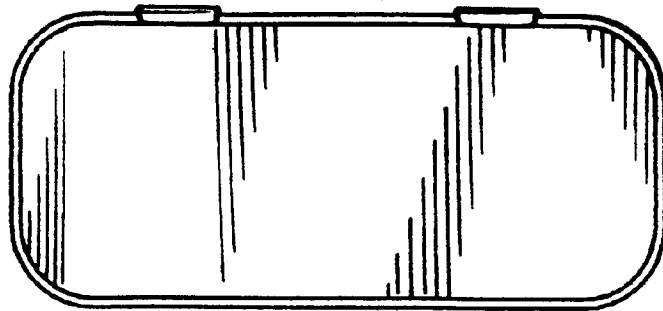


FIG. 5

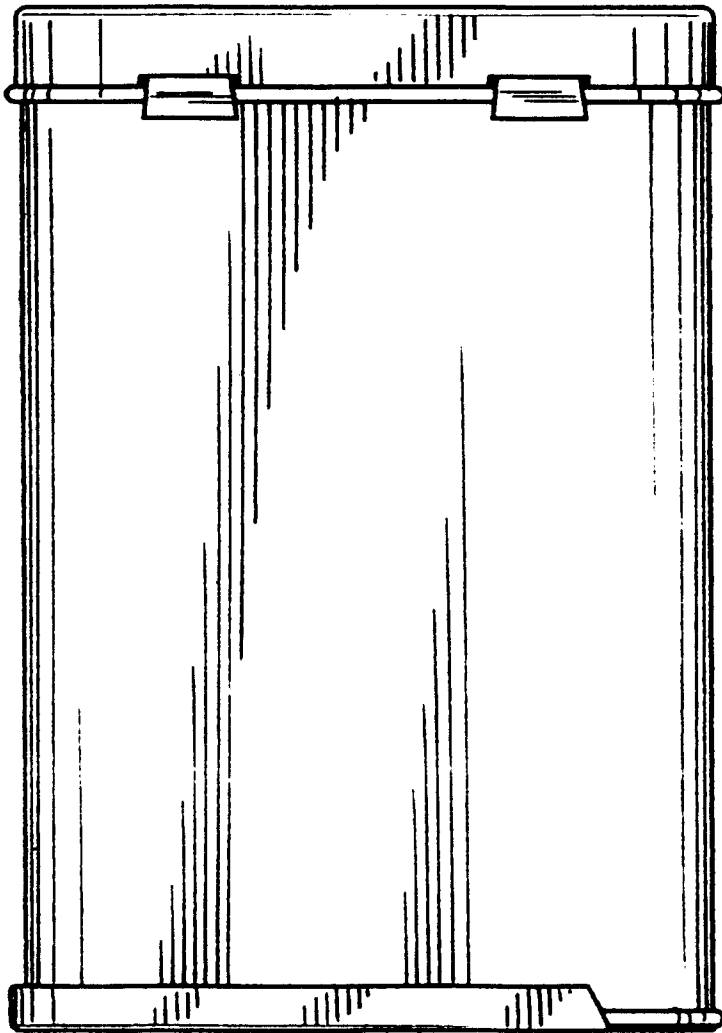


FIG. 6

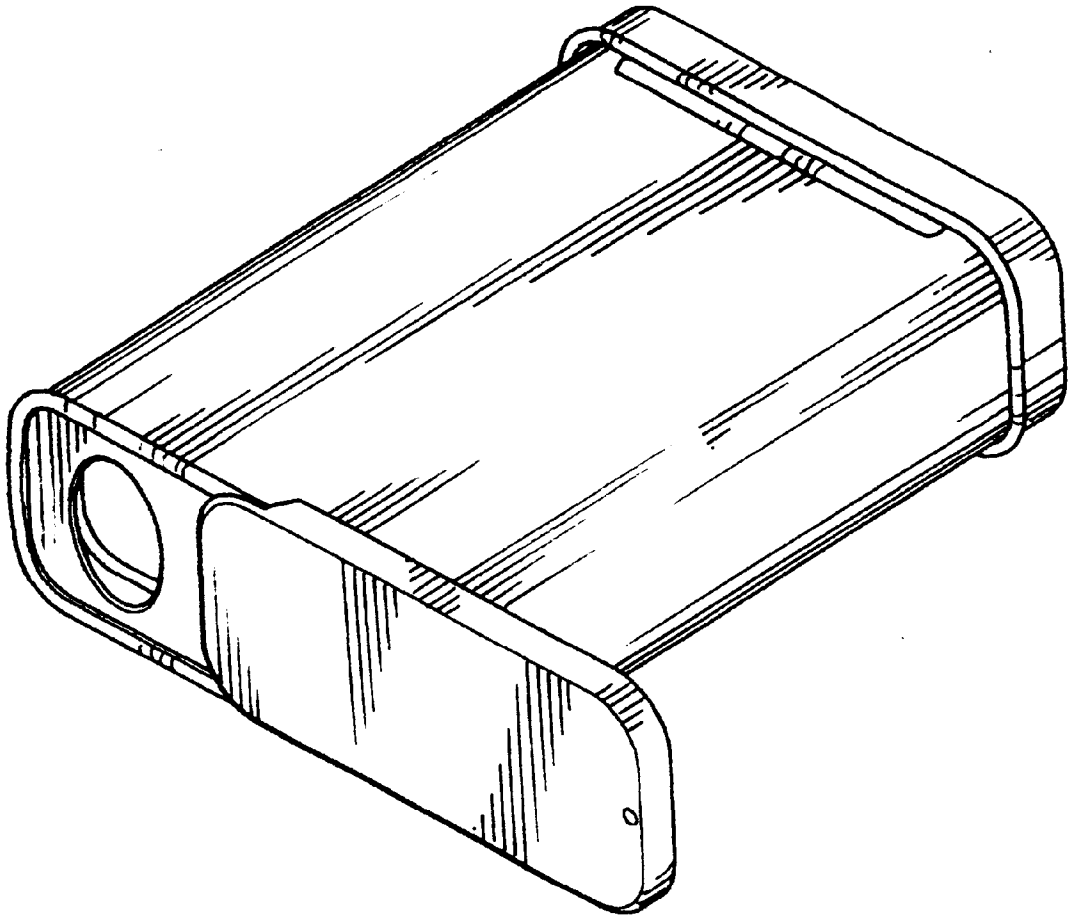


FIG. 7

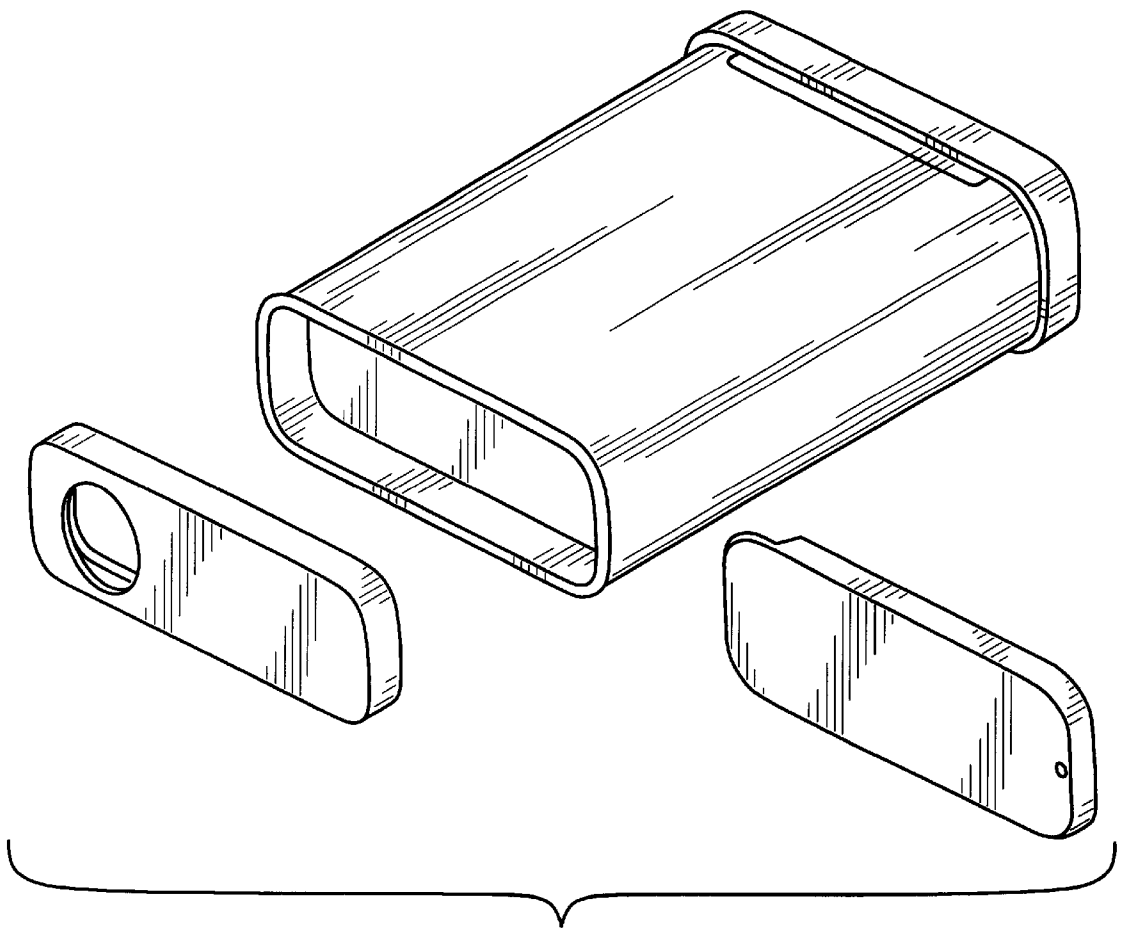


FIG. 8