

(19) World Intellectual Property Organization  
International Bureau



(43) International Publication Date  
14 June 2007 (14.06.2007)

PCT

(10) International Publication Number  
WO 2007/067342 A3

(51) International Patent Classification:  
H02K 44/02 (2006.01)

(74) Agent: AKMAL, Ari, G.; SPRINKLE IP LAW GROUP,  
1301 W. 25TH STREET, SUITE 408, Austin, TX 78705  
(US).

(21) International Application Number:  
PCT/US2006/044980

(81) Designated States (unless otherwise indicated, for every  
kind of national protection available): AE, AG, AL, AM,  
AT, AU, AZ, BA, BB, BG, BR, BW, BY, BZ, CA, CH, CN,  
CO, CR, CU, CZ, DE, DK, DM, DZ, EC, EE, EG, ES, FI,  
GB, GD, GE, GH, GM, GT, HN, HR, HU, ID, IL, IN, IS,  
JP, KE, KG, KM, KN, KP, KR, KZ, LA, LC, LK, LR, LS,  
LT, LU, LV, LY, MA, MD, MG, MK, MN, MW, MX, MY,  
MZ, NA, NG, NI, NO, NZ, OM, PG, PH, PL, PT, RO, RS,  
RU, SC, SD, SE, SG, SK, SL, SM, SV, SY, TJ, TM, TN,  
TR, TT, TZ, UA, UG, US, UZ, VC, VN, ZA, ZM, ZW.

(22) International Filing Date:  
20 November 2006 (20.11.2006)

(25) Filing Language: English

(26) Publication Language: English

(30) Priority Data:  
60/742,168 2 December 2005 (02.12.2005) US

(71) Applicant (for all designated States except US): ENTE-  
GRIS, INC. [US/US]; 3500 LYMAN BLVD., Chaska, MN  
55318 (US).

(72) Inventors; and

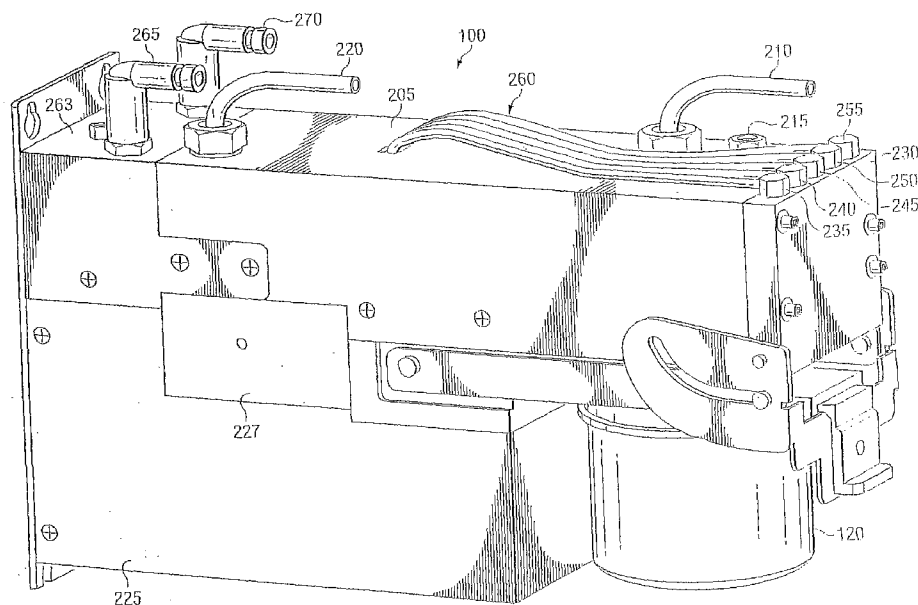
(75) Inventors/Applicants (for US only): GONNELLA,  
George [US/US]; 24 ELLIOTT STREET, Pepperell, MA  
01463-0412 (US). CEDRONE, James [US/US]; 508  
COMMERCIAL STREET, Braintree, MA 02184 (US).  
GASHGAE, Iraj [US/US]; 5 HIGH ROCK CIRCLE,  
Waltham, MA 02451 (US). MAGOON, Paul [US/US];  
20 SARAH DRIVE, Merrimack, NH 03054 (US).

(84) Designated States (unless otherwise indicated, for every  
kind of regional protection available): ARIPO (BW, GH,  
GM, KE, LS, MW, MZ, NA, SD, SL, SZ, TZ, UG, ZM,  
ZW), Eurasian (AM, AZ, BY, KG, KZ, MD, RU, TJ, TM),  
European (AT, BE, BG, CH, CY, CZ, DE, DK, EE, ES, FI,  
FR, GB, GR, HU, IE, IS, IT, LT, LU, LV, MC, NL, PL, PT,  
RO, SE, SI, SK, TR), OAPI (BF, BJ, CF, CG, CI, CM, GA,  
GN, GQ, GW, ML, MR, NE, SN, TD, TG).

Published:  
— with international search report

[Continued on next page]

(54) Title: SYSTEM AND METHOD FOR VALVE SEQUENCING IN A PUMP



(57) Abstract: Systems and methods for minimizing pressure fluctuations within a pumping apparatus are disclosed. Embodiments of the present invention may serve to reduce pressure variations within a fluid path of a pumping apparatus by avoiding closing a valve to create a closed or entrapped space in the fluid path and similarly, avoiding opening a valve between two entrapped spaces. More specifically, embodiments of the present invention may serve to operate a system of valves of the pumping apparatus according to a valve sequence configured to substantially minimize the time the fluid flow path through the pumping apparatus is closed (e.g. to an area external to the pumping apparatus).

WO 2007/067342 A3



— *before the expiration of the time limit for amending the claims and to be republished in the event of receipt of amendments*

*For two-letter codes and other abbreviations, refer to the "Guidance Notes on Codes and Abbreviations" appearing at the beginning of each regular issue of the PCT Gazette.*

**(88) Date of publication of the international search report:**

29 November 2007

## INTERNATIONAL SEARCH REPORT

International application No.

PCT/US06/44980

<b>A. CLASSIFICATION OF SUBJECT MATTER</b> IPC(8) - H02K 44/02 (2007.01) USPC - 417/321 According to International Patent Classification (IPC) or to both national classification and IPC		
<b>B. FIELDS SEARCHED</b> Minimum documentation searched (classification system followed by classification symbols) IPC(8) - B67D 5/14; H02K 44/02 (2007.01) USPC - 222/148; 417/321, 424.1, 474 Documentation searched other than minimum documentation to the extent that such documents are included in the fields searched Electronic data base consulted during the international search (name of data base and, where practicable, search terms used) USPTO EAST System (US, USPG-PUB, EPO, DERWENT)		
<b>C. DOCUMENTS CONSIDERED TO BE RELEVANT</b>		
Category*	Citation of document, with indication, where appropriate, of the relevant passages	Relevant to claim No.
X -- Y	US 2005/0184087 A1 (ZAGARS et al) 25 August 2005 (25.08.2005) abstract, paras. 0001, 0006, 0013, 0017, 0019, 0022-0024, 0026 and 0028 and figs. 2-4	1-5, 7, 31-35, 37 ----- 6, 8-30, 36, 38-60
Y	US 2005/0126985 A1 (CAMPBELL et al) 16 June 2005 (16.06.2005) abstract, paras. 0002, 0003, 0017, 0028, 0029	6, 8-30, 36, 38-60
<input type="checkbox"/> Further documents are listed in the continuation of Box C. <input type="checkbox"/>		
* Special categories of cited documents: "A" document defining the general state of the art which is not considered to be of particular relevance "E" earlier application or patent but published on or after the international filing date "L" document which may throw doubts on priority claim(s) or which is cited to establish the publication date of another citation or other special reason (as specified) "O" document referring to an oral disclosure, use, exhibition or other means "P" document published prior to the international filing date but later than the priority date claimed "T" later document published after the international filing date or priority date and not in conflict with the application but cited to understand the principle or theory underlying the invention "X" document of particular relevance; the claimed invention cannot be considered novel or cannot be considered to involve an inventive step when the document is taken alone "Y" document of particular relevance; the claimed invention cannot be considered to involve an inventive step when the document is combined with one or more other such documents, such combination being obvious to a person skilled in the art "&" document member of the same patent family		
Date of the actual completion of the international search 04 September 2007		Date of mailing of the international search report  <b>04 OCT 2007</b>
Name and mailing address of the ISA/US Mail Stop PCT, Attn: ISA/US, Commissioner for Patents P.O. Box 1450, Alexandria, Virginia 22313-1450 Facsimile No. 571-273-3201		Authorized officer: Blaine R. Copenheaver PCT Helpdesk: 571-272-4300 PCT OSP: 571-272-7774